



US00D555378S

(12) **United States Design Patent**
Tsai

(10) **Patent No.:** **US D555,378 S**

(45) **Date of Patent:** **** Nov. 20, 2007**

(54) **FOLDING LOUNGE CHAIR**

(76) Inventor: **Yao-Hsien Tsai**, Xiuxin Road, Xiuzhou Industrial Garden Jiaxing, Zhejiang (CN)

(**) Term: **14 Years**

(21) Appl. No.: **29/228,714**

(22) Filed: **Apr. 27, 2005**

(51) **LOC (8) Cl.** **06-11**

(52) **U.S. Cl.** **D6/368**

(58) **Field of Classification Search** D6/368, D6/334, 335, 348, 349, 353, 361, 367, 369, D6/374, 375, 383, 391, 392; 297/16.1, 24, 297/29, 46, 48, 49, 55, 56, 378.1
See application file for complete search history.

(56) **References Cited**

U.S. PATENT DOCUMENTS

6,332,646	B1 *	12/2001	Tseng	297/16.1
6,447,057	B1 *	9/2002	Chen	297/16.2
6,848,740	B1 *	2/2005	Reese	297/16.1
7,011,372	B1 *	3/2006	Hsieh	297/440.24
7,144,078	B2 *	12/2006	Hsieh	297/16.1
2005/0088018	A1 *	4/2005	Yao	297/16.1

2006/0232108	A1 *	10/2006	Hsieh	297/45
2006/0249991	A1 *	11/2006	Hsieh	297/16.1
2007/0063550	A1 *	3/2007	Lin	297/16.1

* cited by examiner

Primary Examiner—Robert M. Spear

Assistant Examiner—Katrina A Kile

(74) *Attorney, Agent, or Firm*—Alan Kamrath; Kamrath & Associates P.A.

(57) **CLAIM**

The ornamental design for a folding lounge chair, as shown and described.

DESCRIPTION

FIG. 1 is a perspective view of a folding lounge chair showing my new design;

FIG. 2 is a front view thereof;

FIG. 3 is a rear view thereof;

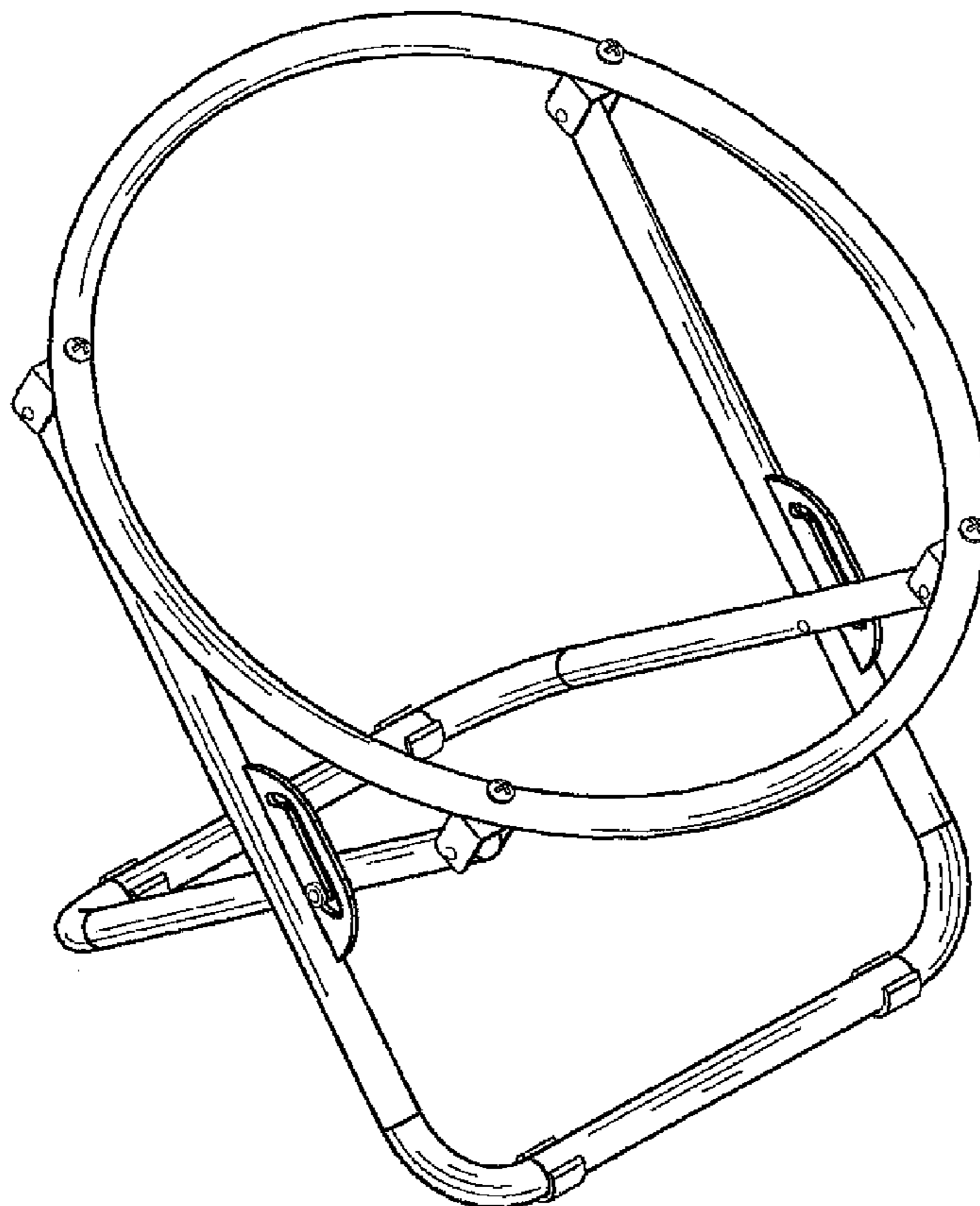
FIG. 4 is a left side elevational view thereof;

FIG. 5 is a right side elevational view thereof;

FIG. 6 is a top view thereof; and,

FIG. 7 is a bottom view thereof.

1 Claim, 7 Drawing Sheets



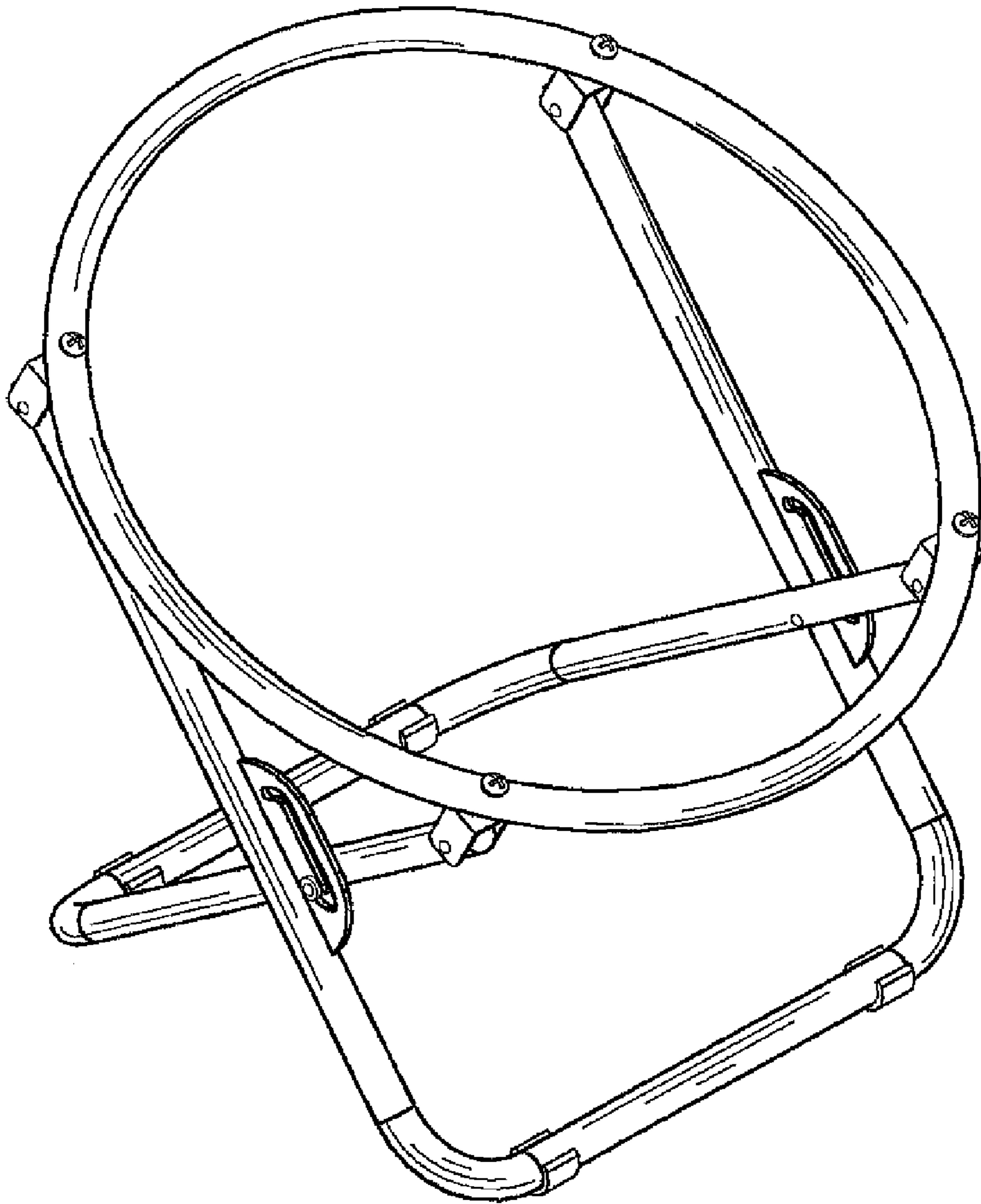


FIG. 1

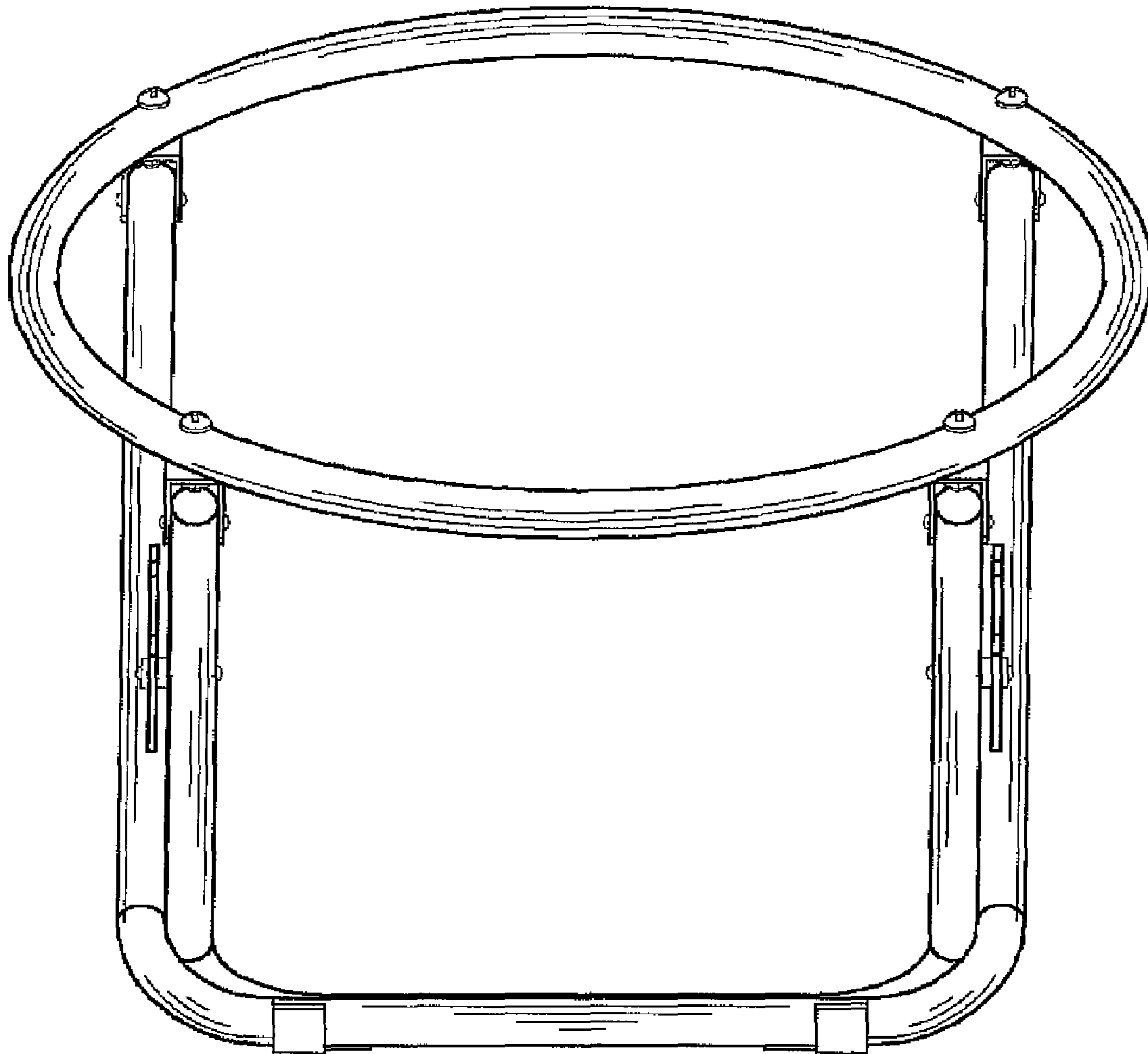


FIG. 2

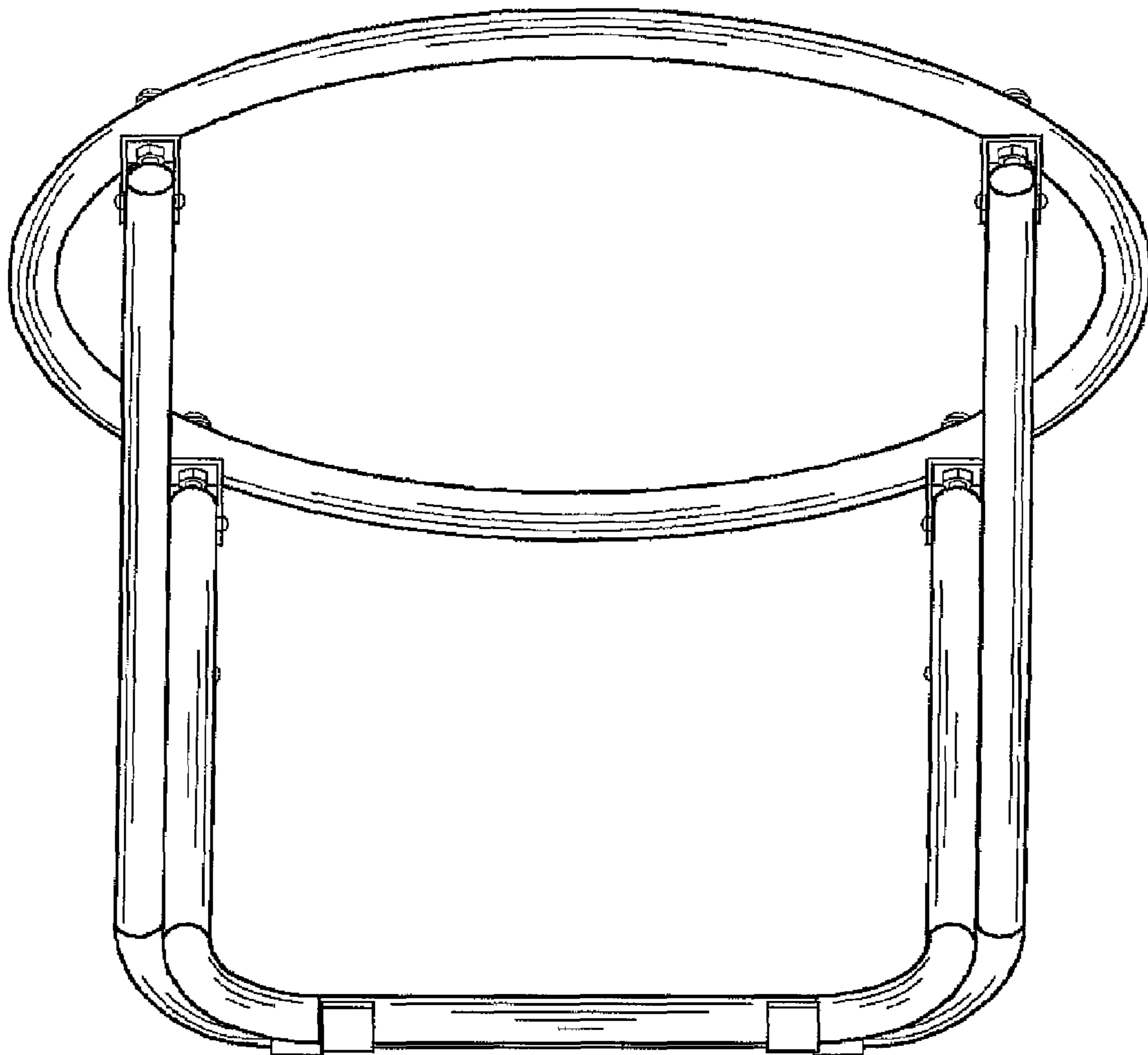


FIG. 3

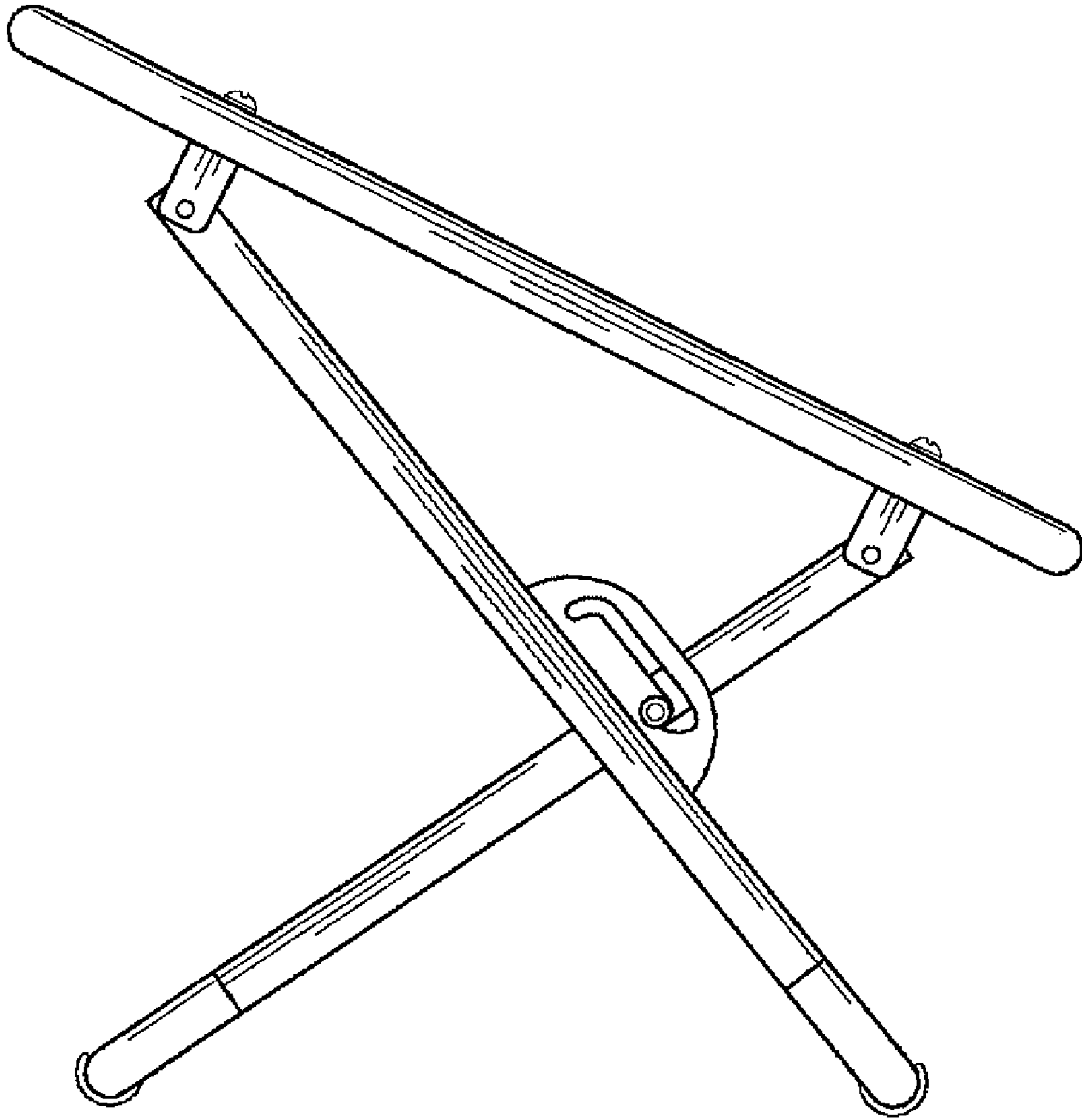


FIG. 4

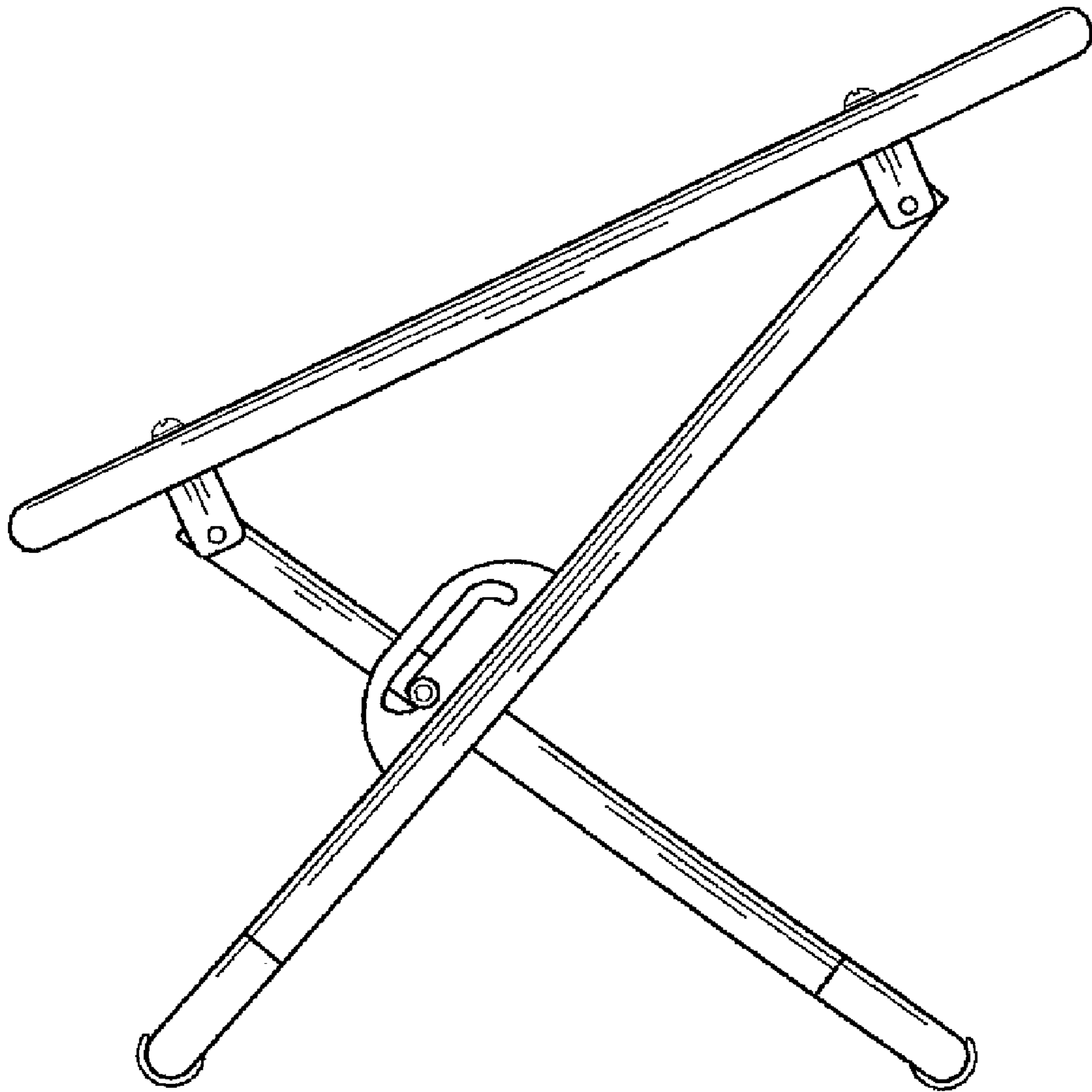


FIG. 5

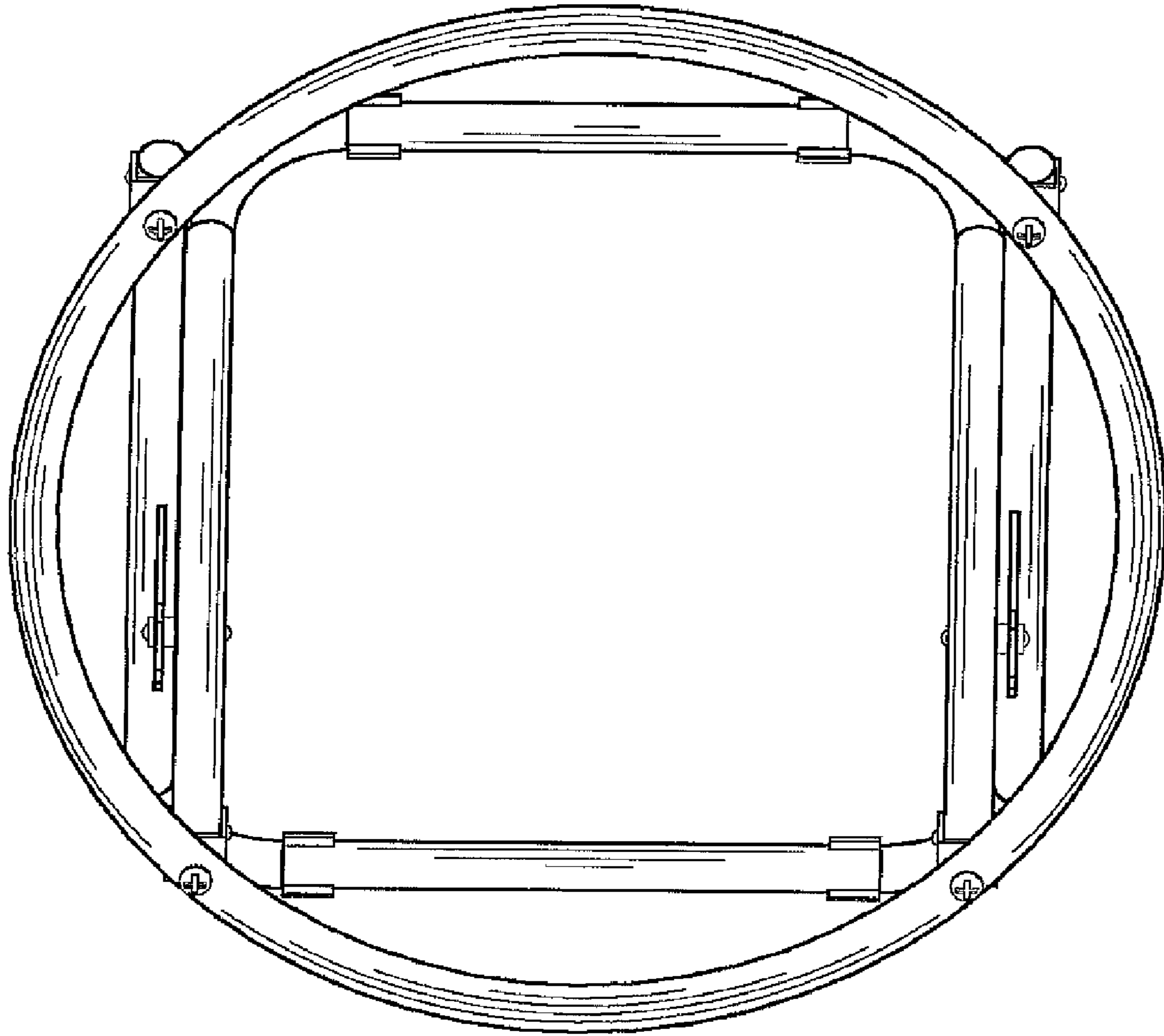


FIG. 6

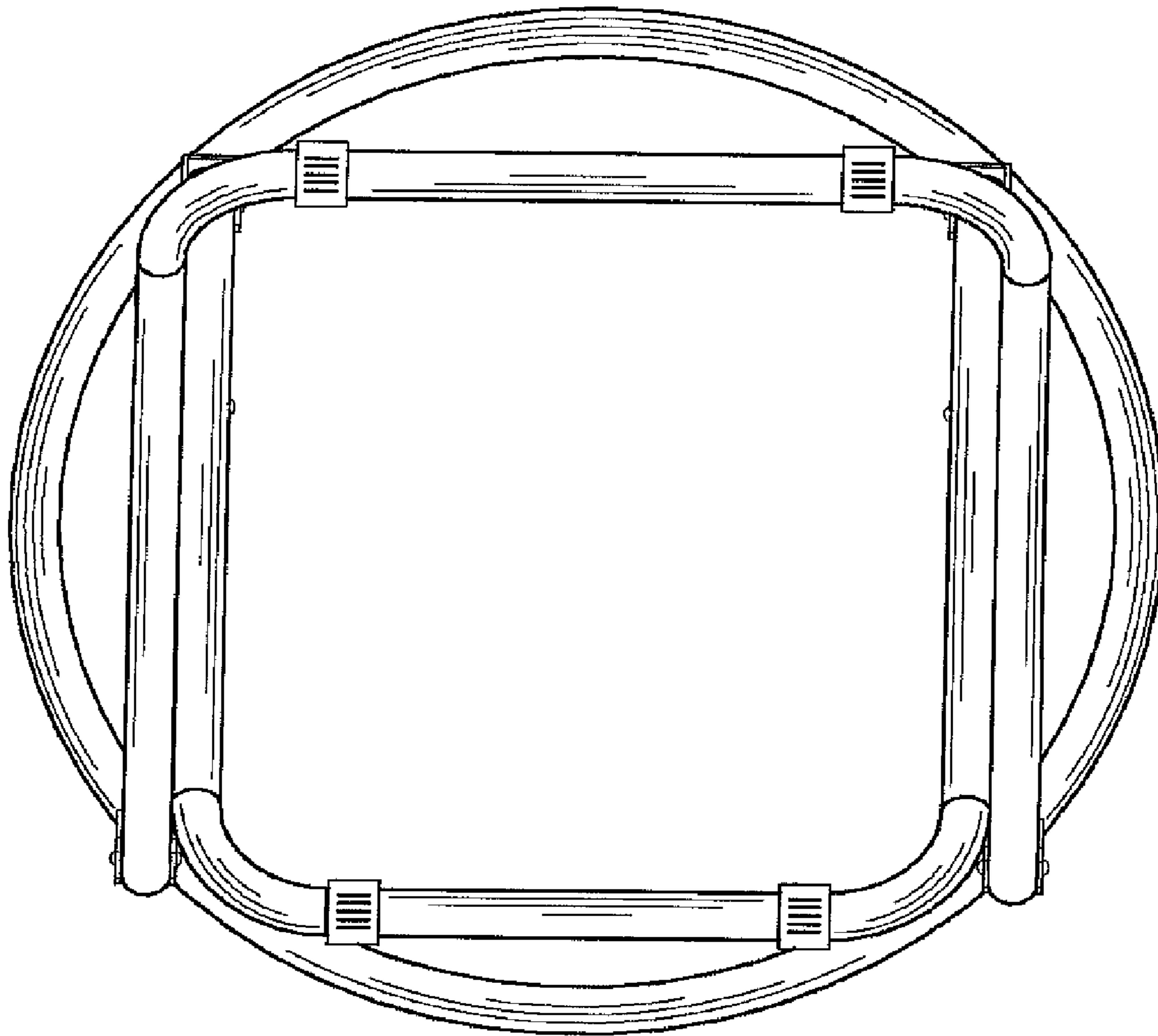


FIG. 7