



US00D555377S

(12) **United States Design Patent** (10) **Patent No.:** **US D555,377 S**
Pensi et al. (45) **Date of Patent:** **** Nov. 20, 2007**

(54) **SEATING UNIT**

(75) Inventors: **Jorge Pensi**, Barcelona (ES); **James N. Ludwig**, Grand Rapids, MI (US); **Gordon J. Peterson**, Rockford, MI (US); **Bruce M. Smith**, Grand Rapids, MI (US); **Terence Sean Yoo**, Grand Rapids, MI (US); **Kurt R. Heidmann**, Grand Rapids, MI (US)

(73) Assignee: **Steelcase Development Corporation**, Caledonia, MI (US)

(**) Term: **14 Years**

(21) Appl. No.: **29/254,521**

(22) Filed: **Feb. 24, 2006**

(51) **LOC (8) Cl.** **06-01**

(52) **U.S. Cl.** **D6/366**

(58) **Field of Classification Search** D6/334-335, D6/356, 364, 365-367, 368, 374, 379, 498, D6/500-502; 297/232, 411.27, 452.21, 452.29, 297/452.32, 452.35, 452.37, 452.48

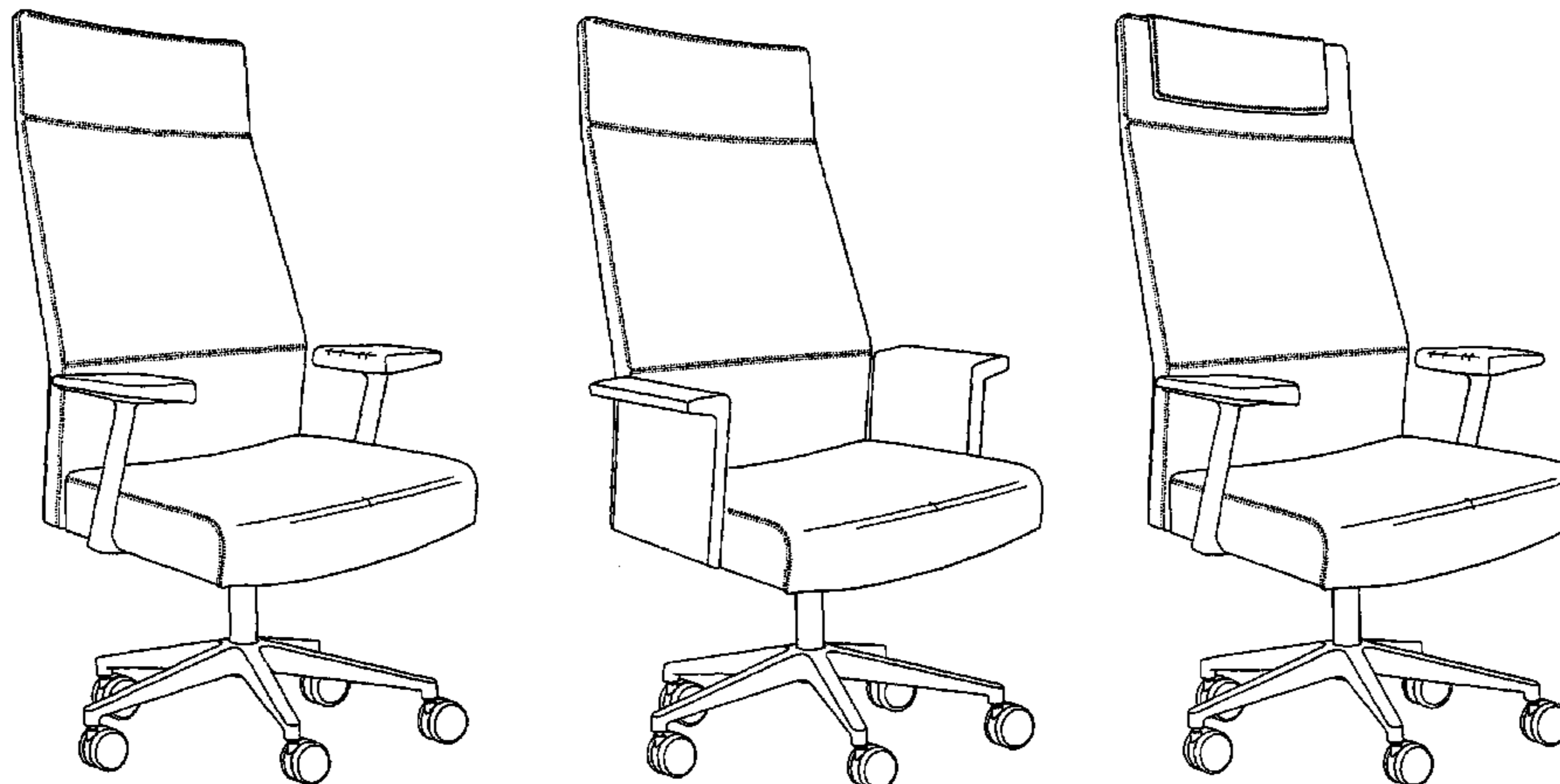
See application file for complete search history.

(56) **References Cited**

U.S. PATENT DOCUMENTS

2,471,024 A 5/1949 Cramer
D155,728 S 10/1949 Paden
D189,026 S * 10/1960 Miller D6/374
D195,401 S * 6/1963 Johnson D6/366
D216,391 S * 12/1969 Israel D6/356
3,540,777 A 11/1970 de Beaumont
3,565,482 A 2/1971 Blodee
D222,451 S * 10/1971 Lamb D6/367
3,700,282 A * 10/1972 Rowland 297/232
D227,829 S * 7/1973 Klose D6/366
D227,830 S * 7/1973 Klose D6/366
3,938,858 A 2/1976 Drabert et al.
4,181,357 A 1/1980 Swenson et al.
4,226,473 A 10/1980 Johnson
D260,205 S * 8/1981 Buhk D6/366
D267,371 S * 12/1982 Lopez-Benitez D6/366
4,452,486 A 6/1984 Zapf et al.
4,585,272 A 4/1986 Ballarini

D286,105 S * 10/1986 Goldman D6/365
D295,466 S * 5/1988 Bellini D6/366
4,834,454 A 5/1989 Dicks
4,854,641 A 8/1989 Reineman et al.
D303,888 S 10/1989 Stafford
4,878,710 A 11/1989 Tacker
D304,885 S 12/1989 Wilson
D313,705 S 1/1991 Hensel et al.
5,037,116 A 8/1991 Desanta
5,100,200 A 3/1992 Keusch et al.
D327,585 S * 7/1992 Hollington D6/366
D330,810 S * 11/1992 Stafford D6/366
5,193,880 A 3/1993 Keusch et al.
5,308,145 A 5/1994 Koepke et al.
D348,786 S * 7/1994 Tolleson et al. D6/366
5,423,593 A 6/1995 Nagashima
5,452,868 A 9/1995 Kanigowski
D368,817 S 4/1996 Schultz
D370,789 S * 6/1996 Groulx D6/366
D373,695 S 9/1996 Buffon
5,636,898 A 6/1997 Dixon et al.
D390,712 S * 2/1998 Koepke et al. D6/366
D391,424 S 3/1998 Raftery
D395,762 S * 7/1998 Saul D6/366
D399,668 S 10/1998 Crinion
D402,128 S 12/1998 Wilson
D402,480 S * 12/1998 Stafford D6/366
5,860,701 A 1/1999 Jungjohann et al.
D405,283 S * 2/1999 James D6/366
5,868,467 A 2/1999 Moll
5,871,258 A 2/1999 Battey et al.
D408,162 S * 4/1999 Olson et al. D6/366
D408,164 S * 4/1999 Popham et al. D6/366
D409,022 S 5/1999 Vanderwood et al.
D409,406 S 5/1999 Kaczmarek
5,947,558 A 9/1999 Suzuki et al.
D414,631 S * 10/1999 Zaidman D6/500
D414,950 S * 10/1999 James D6/366
D416,141 S 11/1999 Beaulieu
D416,702 S 11/1999 Kaczmarek
D418,316 S * 1/2000 Vogtherr D6/366
D428,724 S 8/2000 Beaulieu
6,135,559 A 10/2000 Kowalski
D433,853 S 11/2000 Shamir
D436,770 S 1/2001 Schultz
D439,083 S 3/2001 Tseng
D445,579 S * 7/2001 Olson D6/366
D458,466 S * 6/2002 McCairley D6/365
6,412,869 B1 7/2002 Pearce



D465,361	S	11/2002	Chi	
6,474,737	B1	11/2002	Canteleux et al.	
D468,122	S *	1/2003	Schweikarth et al.	D6/366
6,517,158	B1	2/2003	Wang	
6,523,898	B1	2/2003	Ball et al.	
D471,024	S	3/2003	Chadwick et al.	
D471,728	S	3/2003	Tseng	
6,536,841	B1	3/2003	Pearce et al.	
D474,051	S	5/2003	Tseng	
D474,052	S	5/2003	True	
6,609,755	B2	8/2003	Koepke et al.	
D481,231	S	10/2003	True	
6,669,292	B2	12/2003	Koepke et al.	
6,679,553	B2	1/2004	Bathey et al.	
D486,317	S	2/2004	Roth	
6,709,058	B1	3/2004	Diffrient	
D489,542	S	5/2004	Giugiaro	
D490,994	S	6/2004	Schmitz et al.	
D491,398	S	6/2004	True	
D492,143	S	6/2004	True	
D493,987	S	8/2004	True	
D494,389	S	8/2004	True	
D494,390	S	8/2004	True	
D494,391	S	8/2004	True	
D494,788	S	8/2004	True	
D494,790	S	8/2004	True	
D495,168	S	8/2004	True	
D495,169	S	8/2004	True	
D495,170	S	8/2004	True	
D495,906	S	9/2004	True	
D495,907	S	9/2004	True	
D496,535	S	9/2004	Goodworth	
D504,040	S	4/2005	True	
D508,788	S *	8/2005	Natuzzi	D6/364
D508,790	S *	8/2005	Natuzzi	D6/364
D534,364	S *	1/2007	Loew et al.	D6/366
D535,112	S *	1/2007	Bernett et al.	D6/366
D535,830	S *	1/2007	Bernett et al.	D6/366
D536,890	S *	2/2007	Loew et al.	D6/366
D541,063	S *	4/2007	Su	D6/366
2002/0180248	A1	12/2002	Kinoshita et al.	
2003/0151287	A1	8/2003	Ueda et al.	
2004/0183348	A1	9/2004	Kniese	

FOREIGN PATENT DOCUMENTS

JP 406327539 11/2004

OTHER PUBLICATIONS

U.S. Appl. No. 29/231,566, filed Jun. 7, 2005, Bedford et al.
 U.S. Appl. No. 29/231,566, filed Jun. 7, 2005, Valdiserri et al.

* cited by examiner

Primary Examiner—Mimosa De
 (74) Attorney, Agent, or Firm—Price, Heneveld, Cooper,
 DeWitt & Litton LLP

(57) CLAIM

We claim the ornamental design for seating unit, as shown.

DESCRIPTION

FIG. 1 is a perspective view of a first embodiment of a seating unit embodying the present invention;

FIG. 2 is a front view of the seating unit shown in FIG. 1; FIG. 3 is a right side view of the seating unit shown in FIG. 1, the left side being a mirror image thereof; FIG. 4 is a rear view of the seating unit shown in FIG. 1; FIG. 5 is a top view of the seating unit shown in FIG. 1; and FIG. 6 is a bottom view of the seating unit shown in FIG. 1. FIG. 7 is a perspective view of a second embodiment of a seating unit embodying the present invention; FIG. 8 is a front view of the seating unit shown in FIG. 7; FIG. 9 is a right side view of the seating unit shown in FIG. 7, the left side being a mirror image thereof; FIG. 10 is a rear view of the seating unit shown in FIG. 7; FIG. 11 is a top view of the seating unit shown in FIG. 7; and FIG. 12 is a bottom view of the seating unit shown in FIG. 7. FIG. 13 is a perspective view of a third embodiment of a seating unit embodying the present invention; FIG. 14 is a front view of the seating unit shown in FIG. 13; FIG. 15 is a right side view of the seating unit shown in FIG. 13, the left side being a mirror image thereof; FIG. 16 is a rear view of the seating unit shown in FIG. 13; FIG. 17 is a top view of the seating unit shown in FIG. 13; and FIG. 18 is a bottom view of the seating unit shown in FIG. 13. FIG. 19 is a perspective view of a fourth embodiment of a seating unit embodying the present invention; FIG. 20 is a front view of the seating unit shown in FIG. 19; FIG. 21 is a right side view of the seating unit shown in FIG. 19, the left side being a mirror image thereof; FIG. 22 is a rear view of the seating unit shown in FIG. 19; FIG. 23 is a top view of the seating unit shown in FIG. 19; and FIG. 24 is a bottom view of the seating unit shown in FIG. 19. FIG. 25 is a perspective view of a fifth embodiment of a seating unit embodying the present invention; FIG. 26 is a front view of the seating unit shown in FIG. 25; FIG. 27 is a right side view of the seating unit shown in FIG. 25, the left side being a mirror image thereof; FIG. 28 is a rear view of the seating unit shown in FIG. 25; FIG. 29 is a top view of the seating unit shown in FIG. 25; and FIG. 30 is a bottom view of the seating unit shown in FIG. 25.

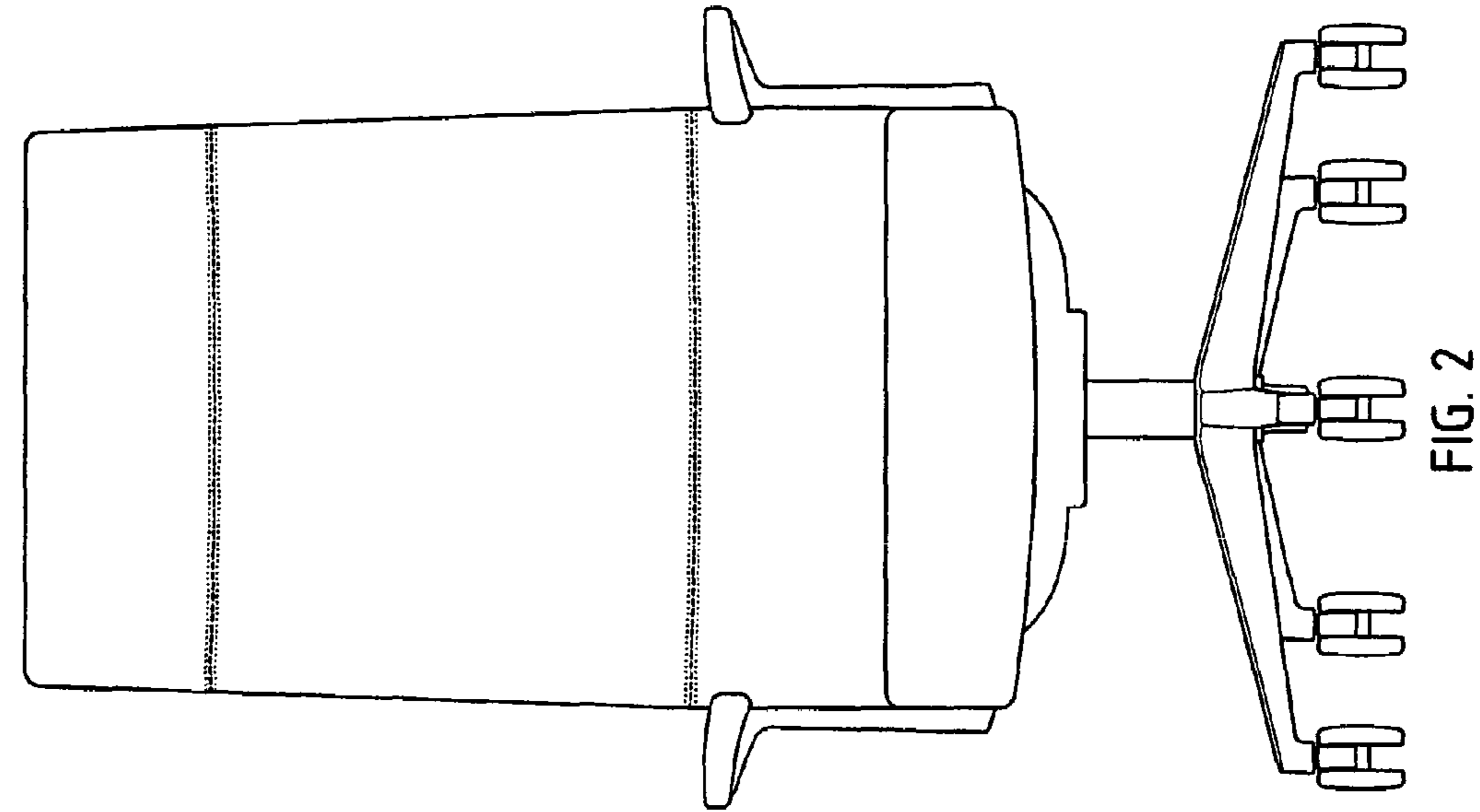


FIG. 2

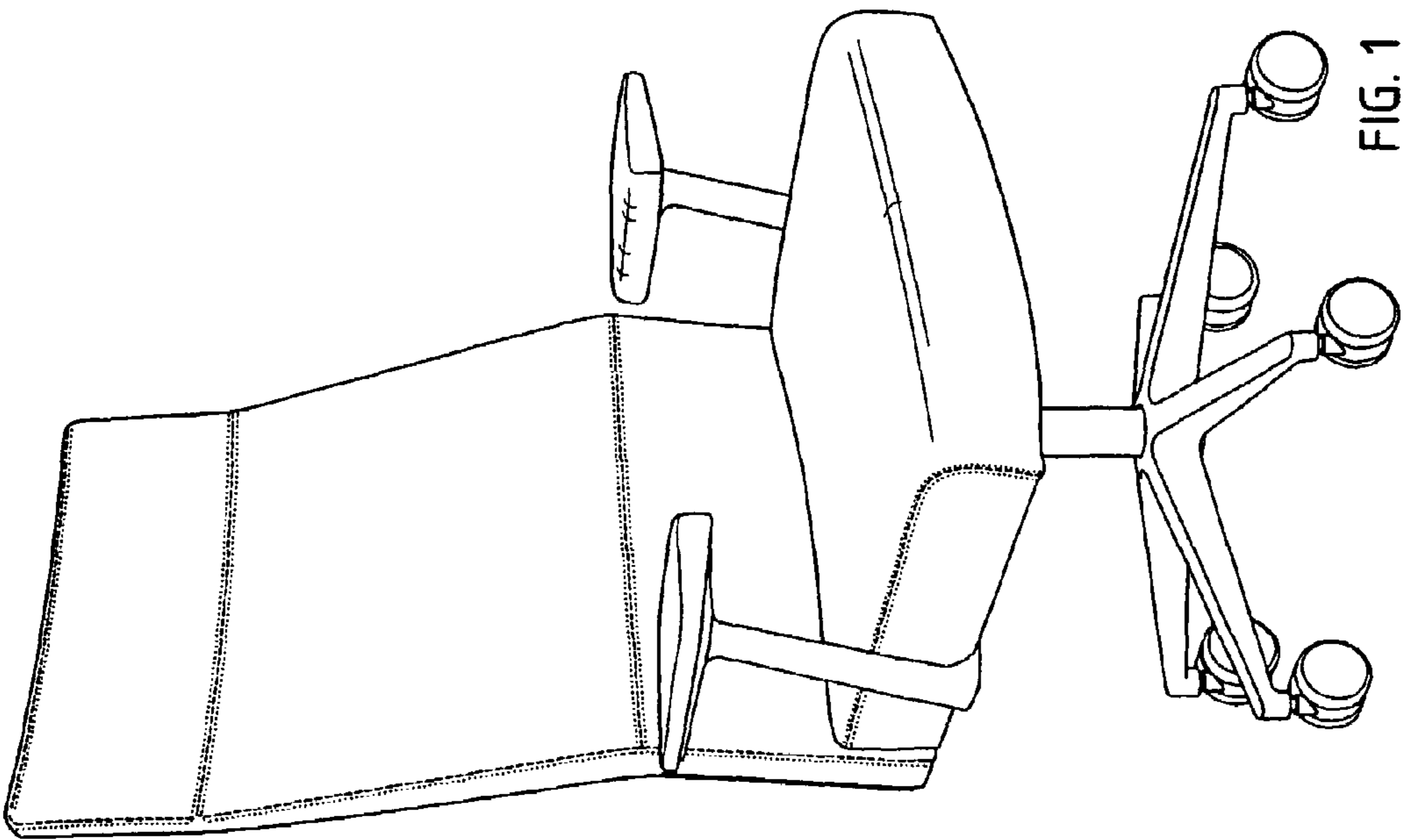


FIG. 1

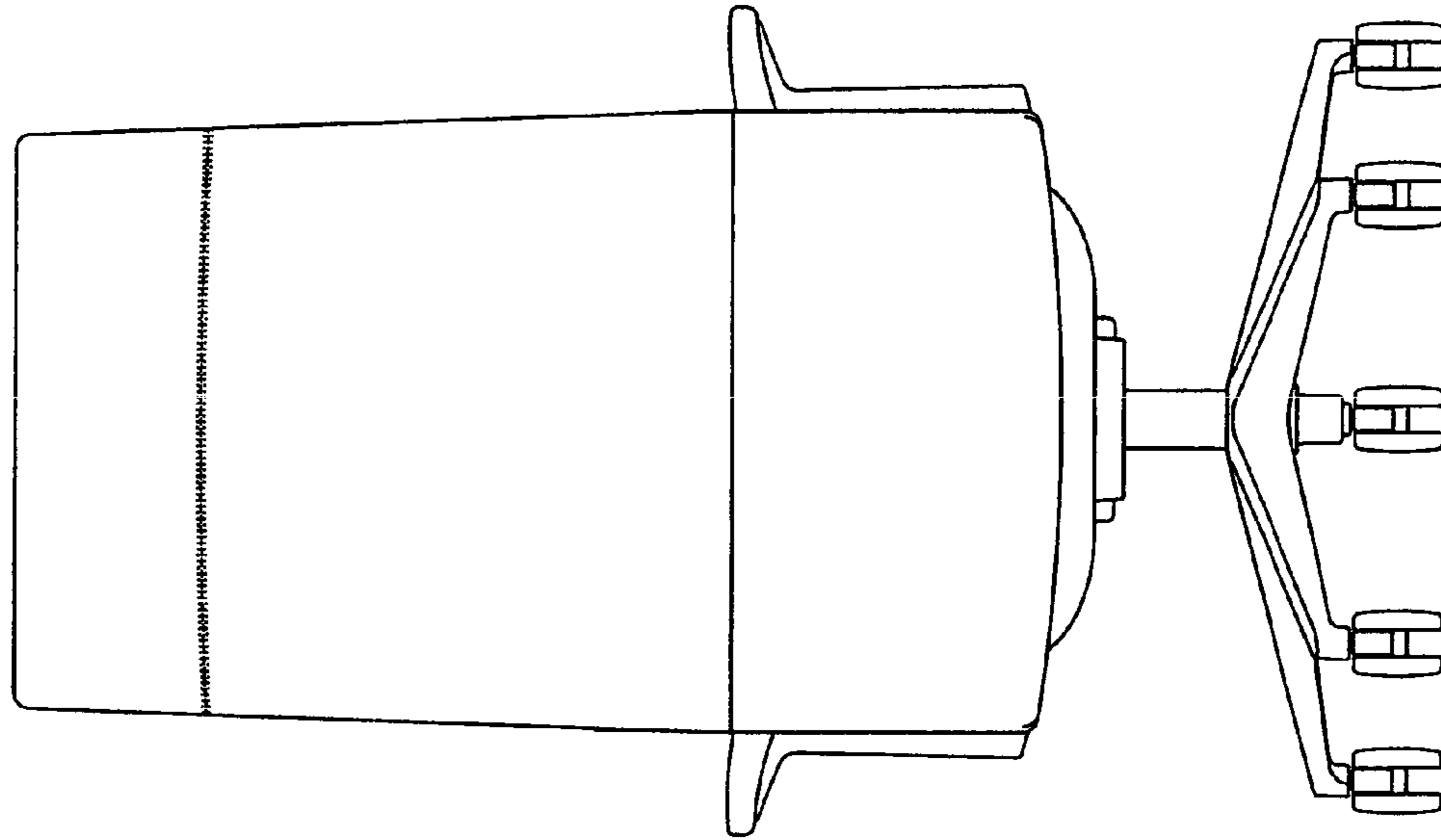


FIG. 4

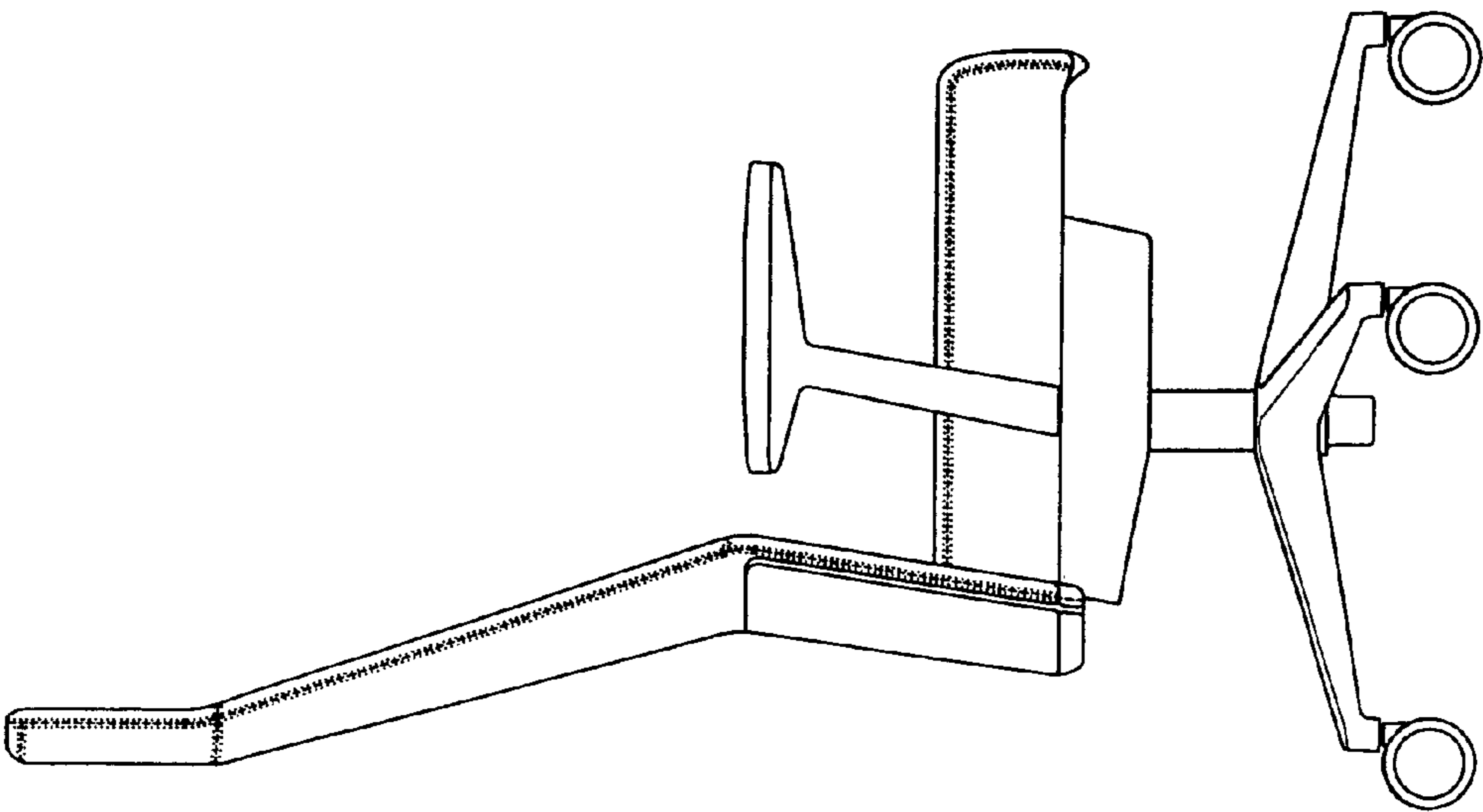


FIG. 3

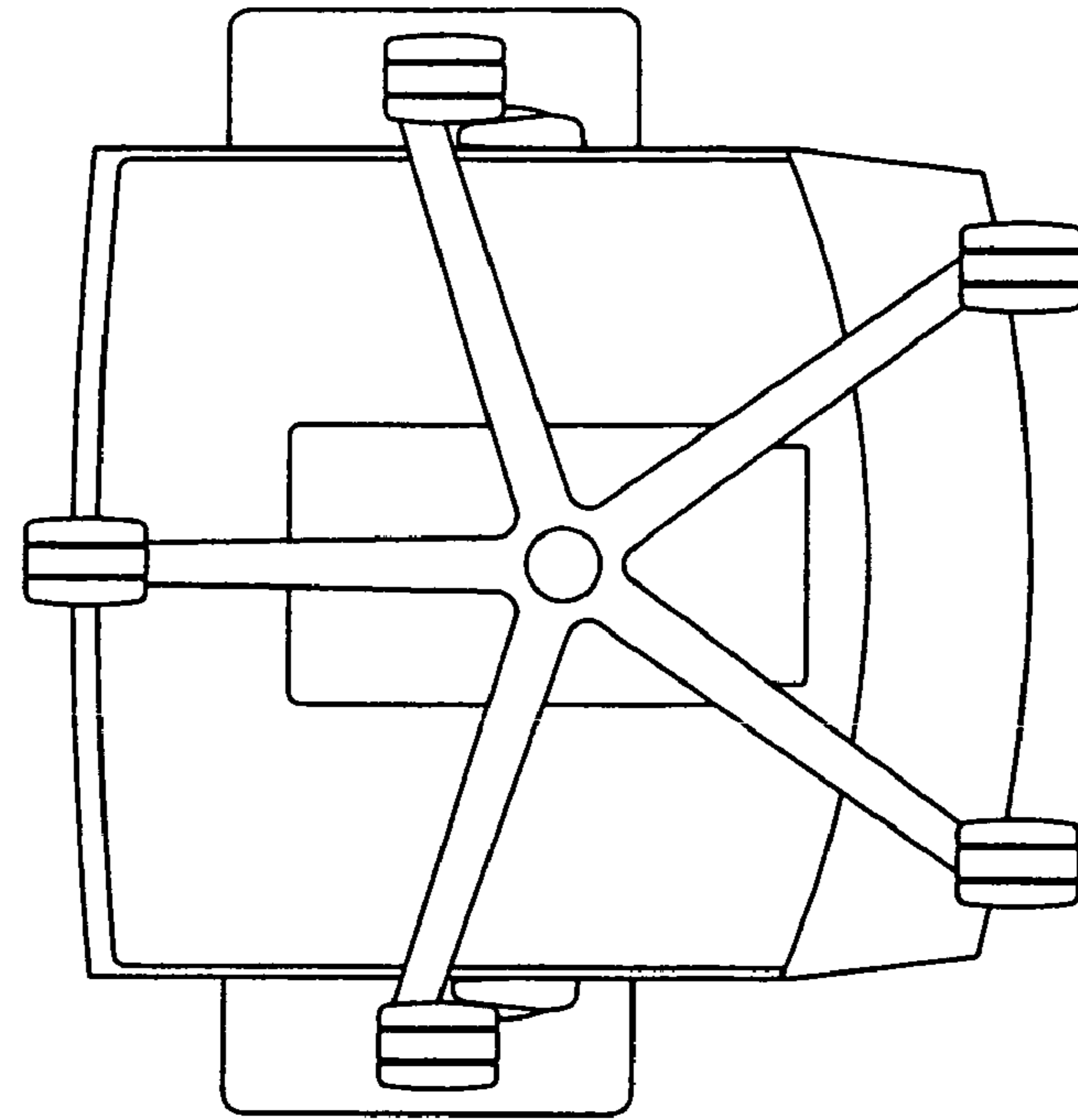


FIG. 6

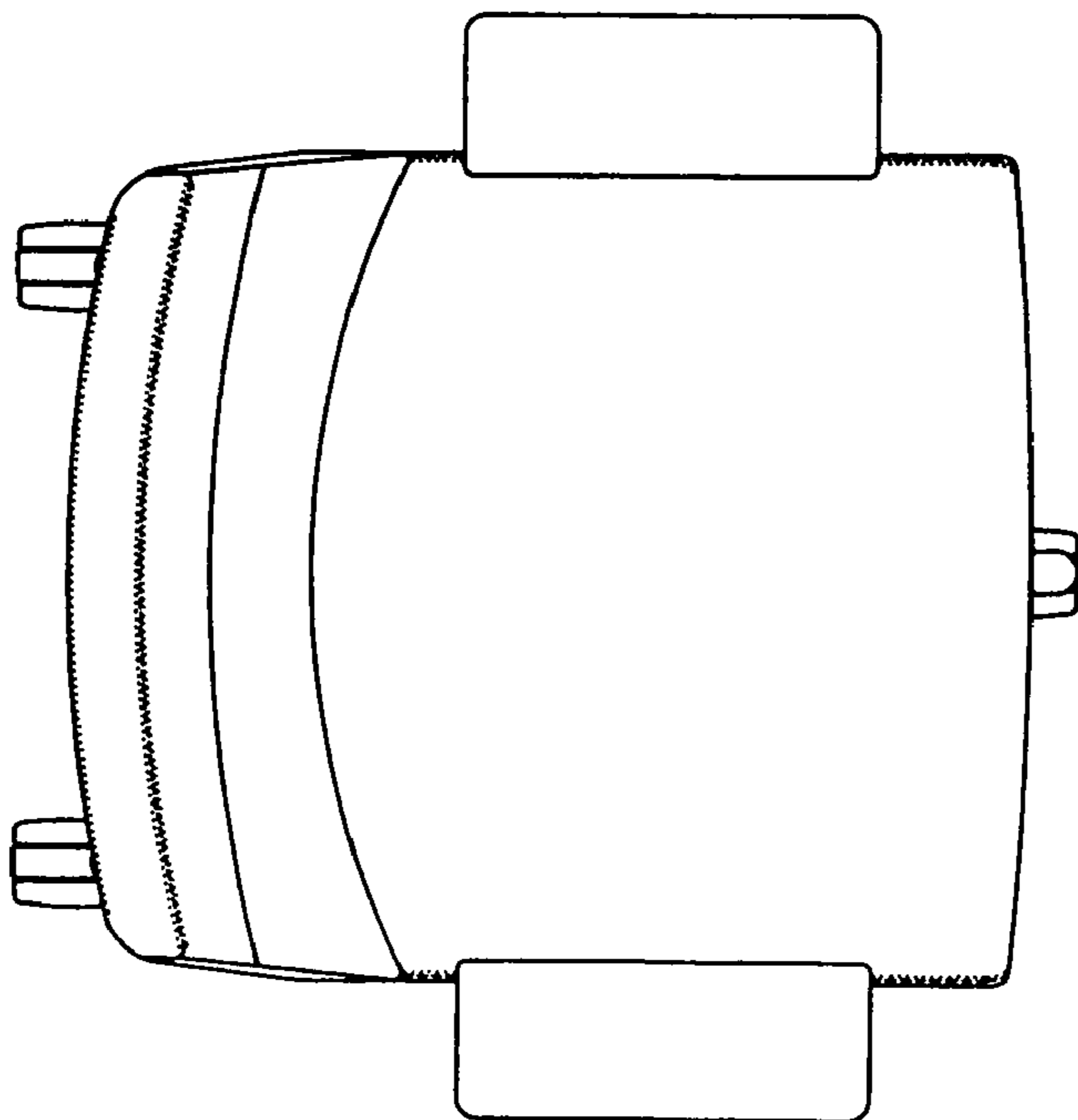


FIG. 5

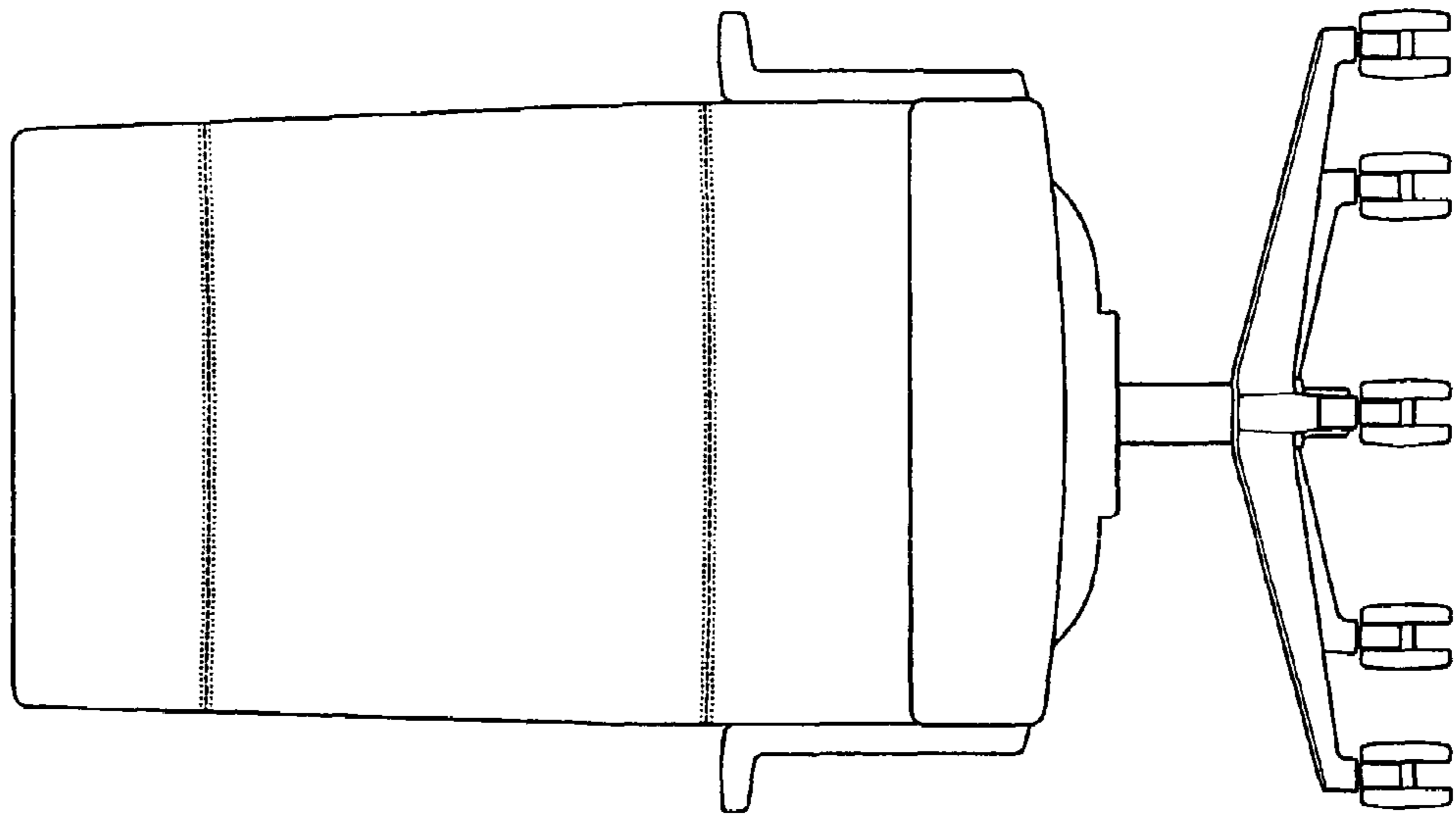


FIG. 8

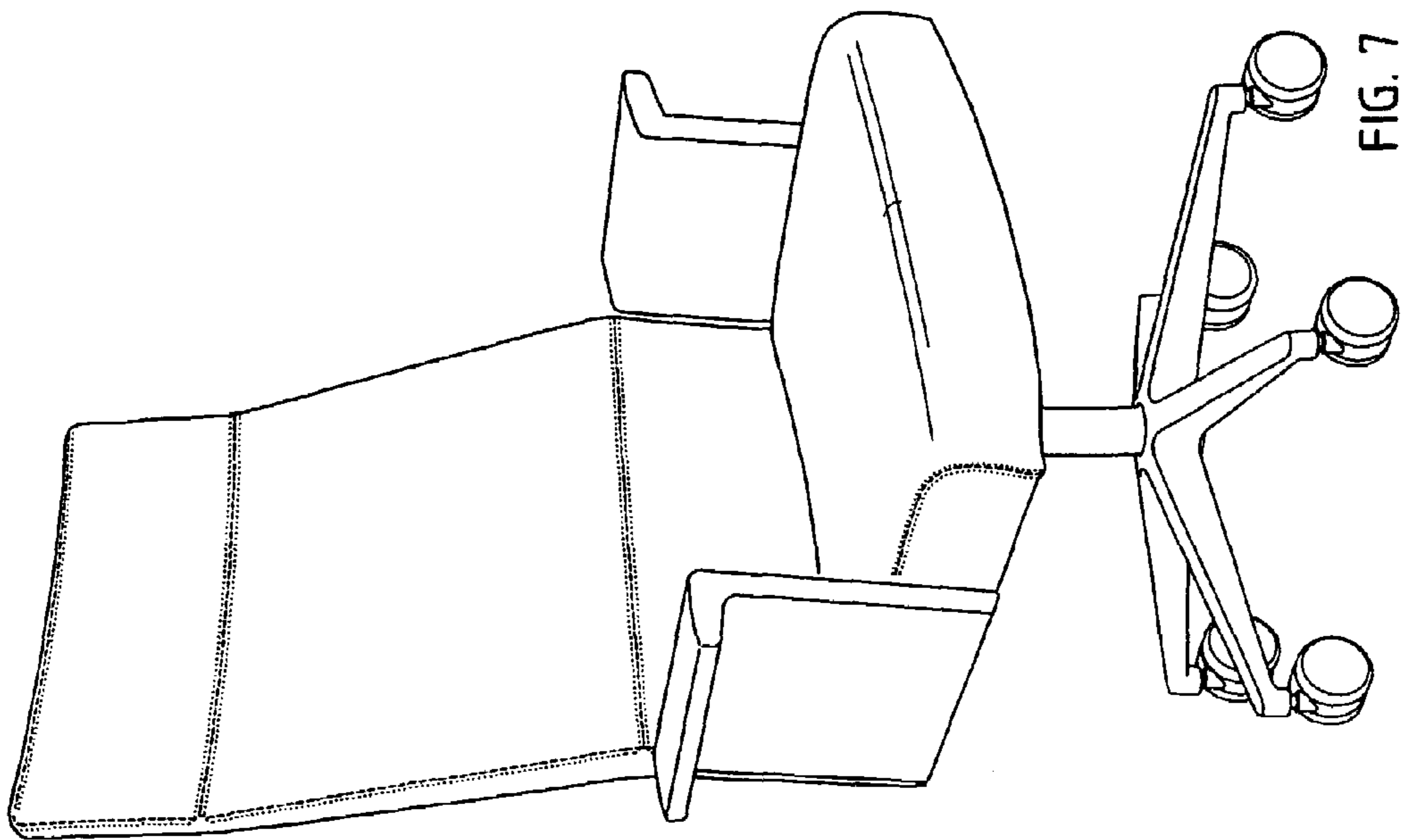


FIG. 7

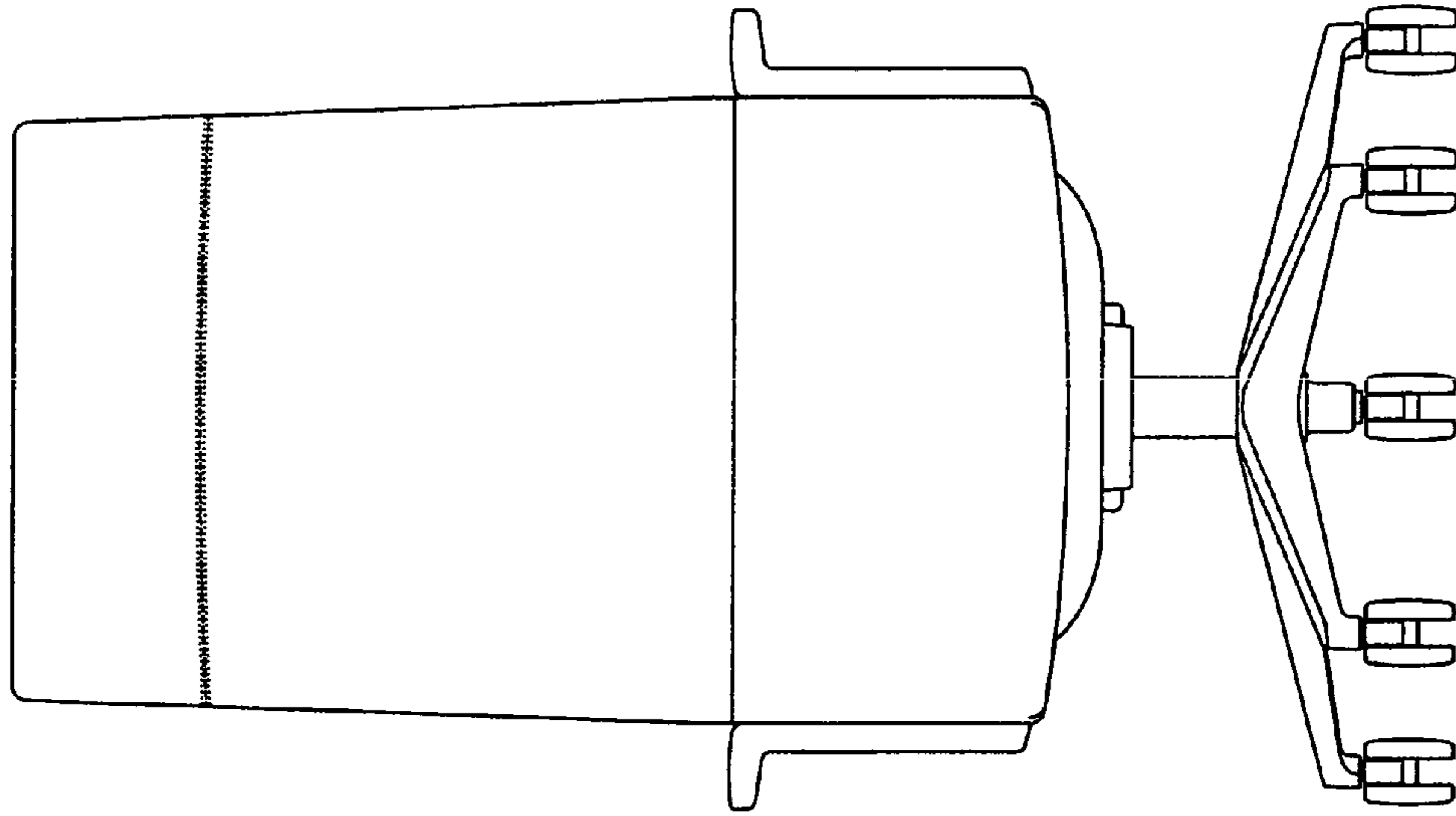


FIG. 10

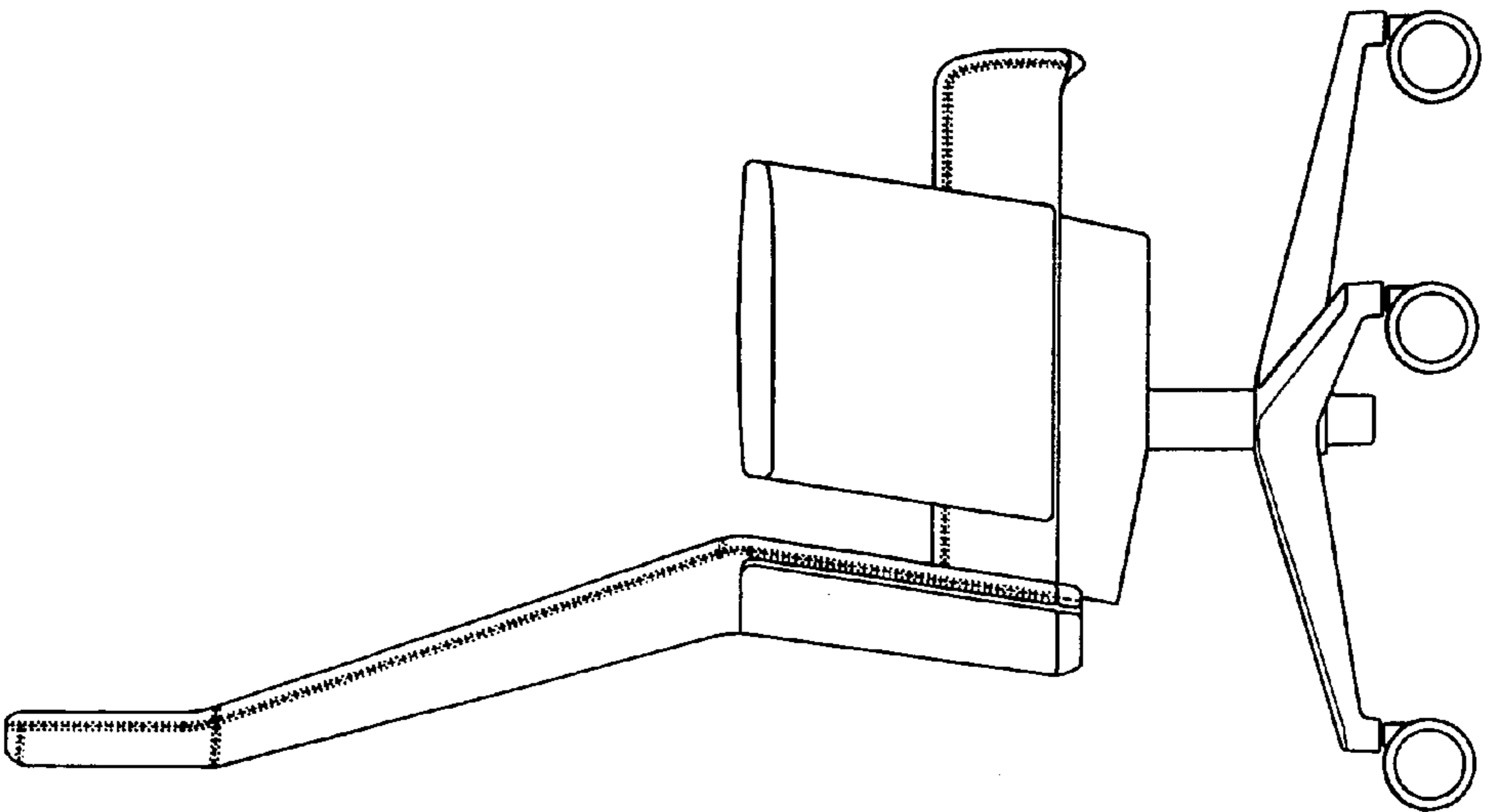


FIG. 9

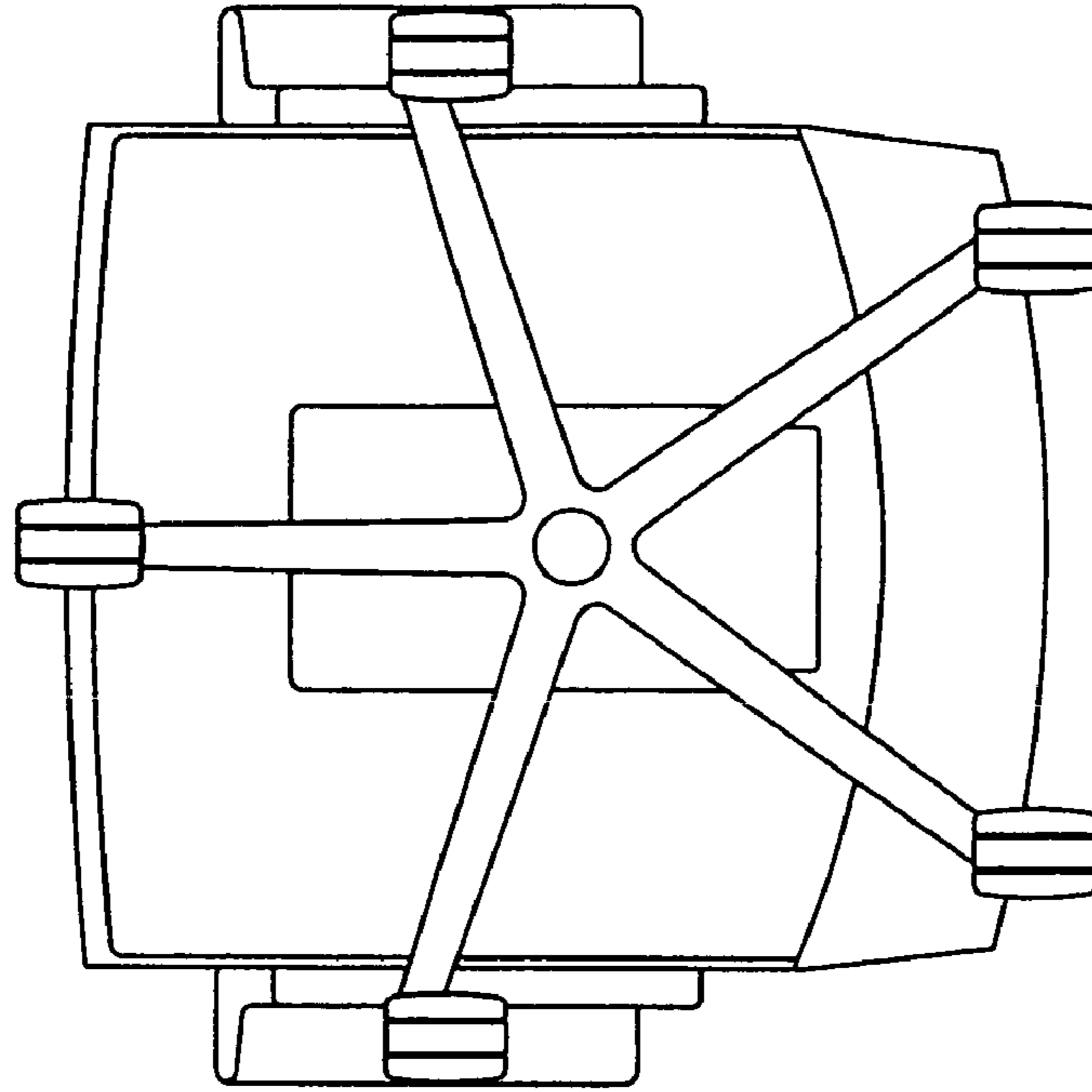


FIG. 12

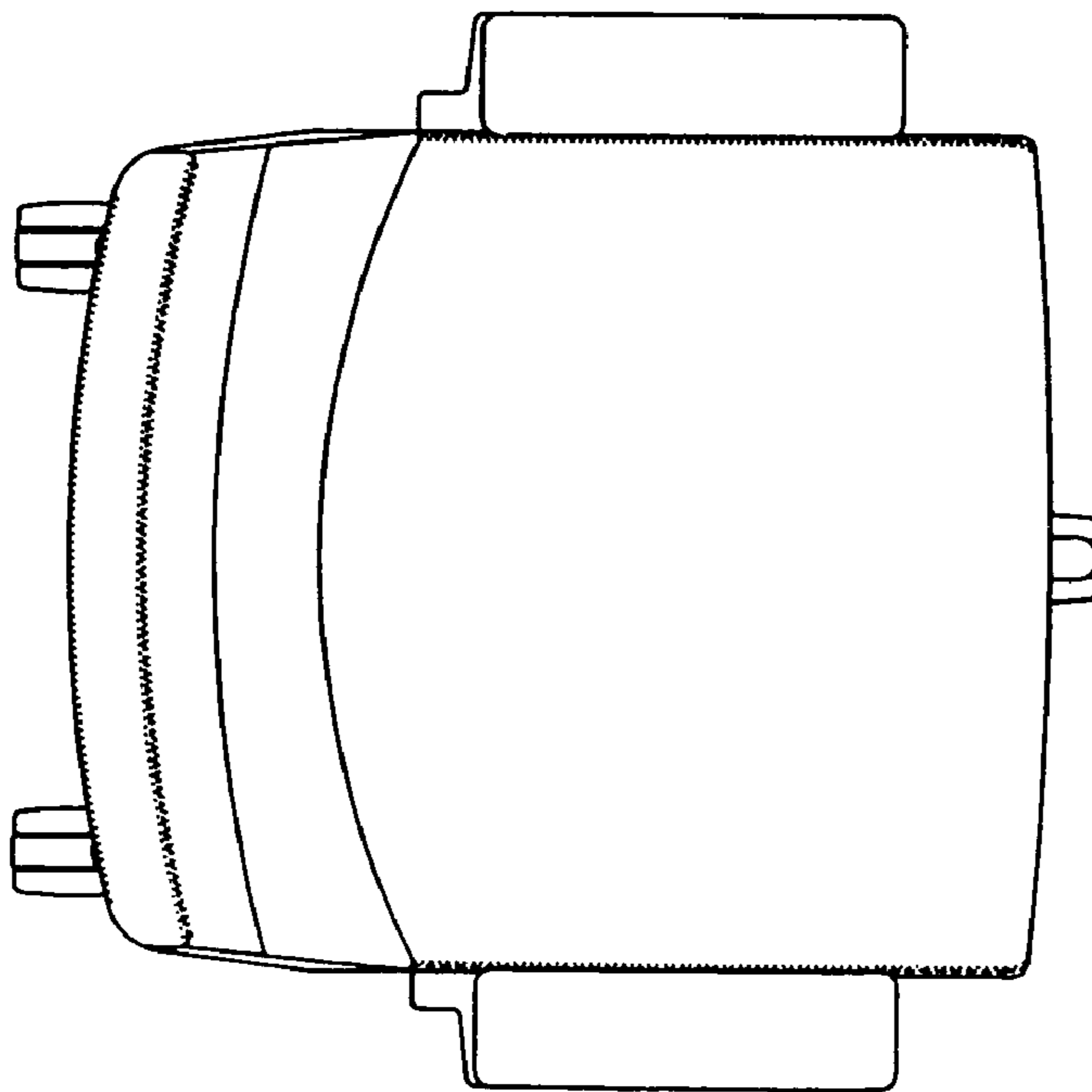


FIG. 11

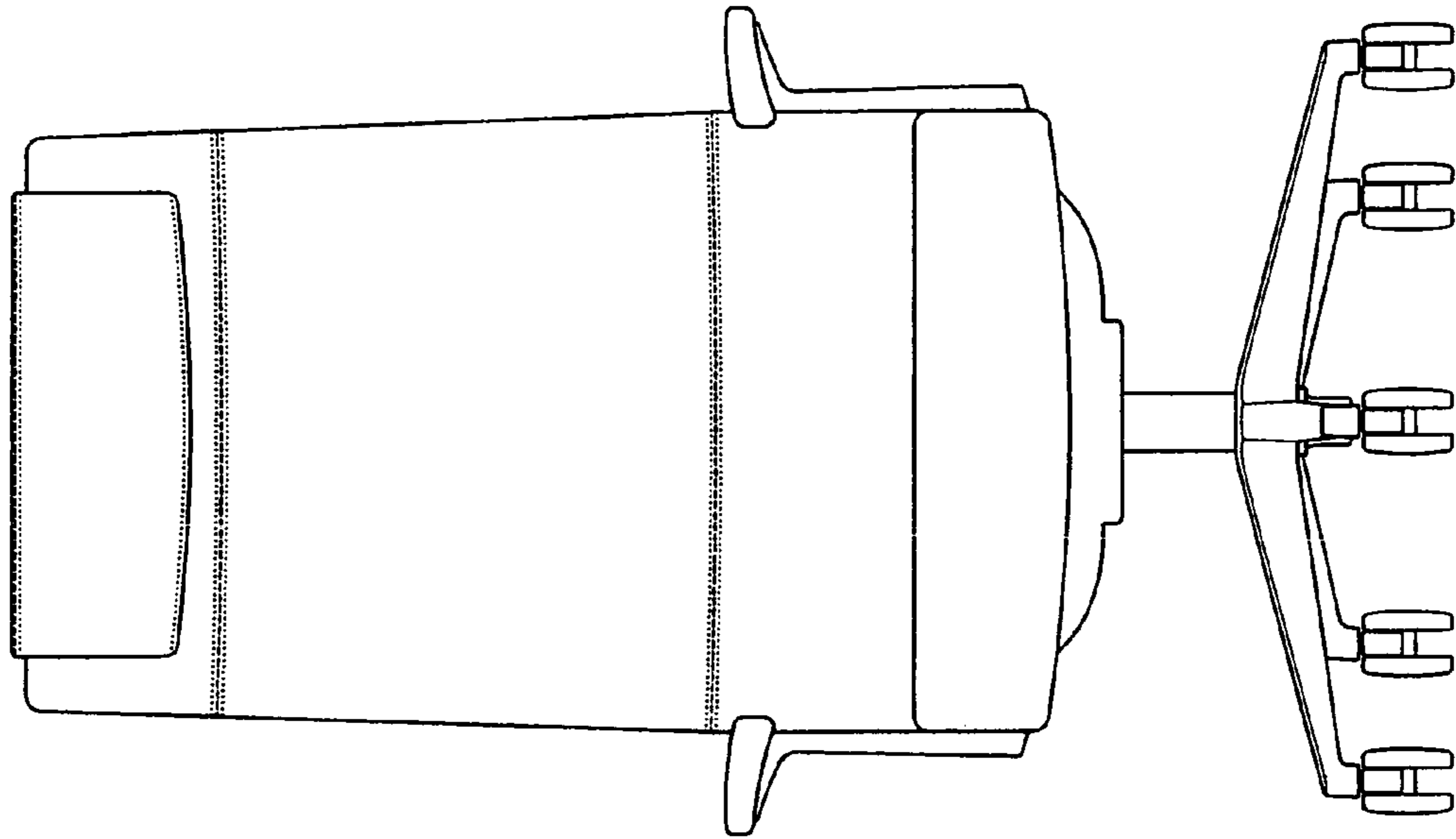


FIG. 14

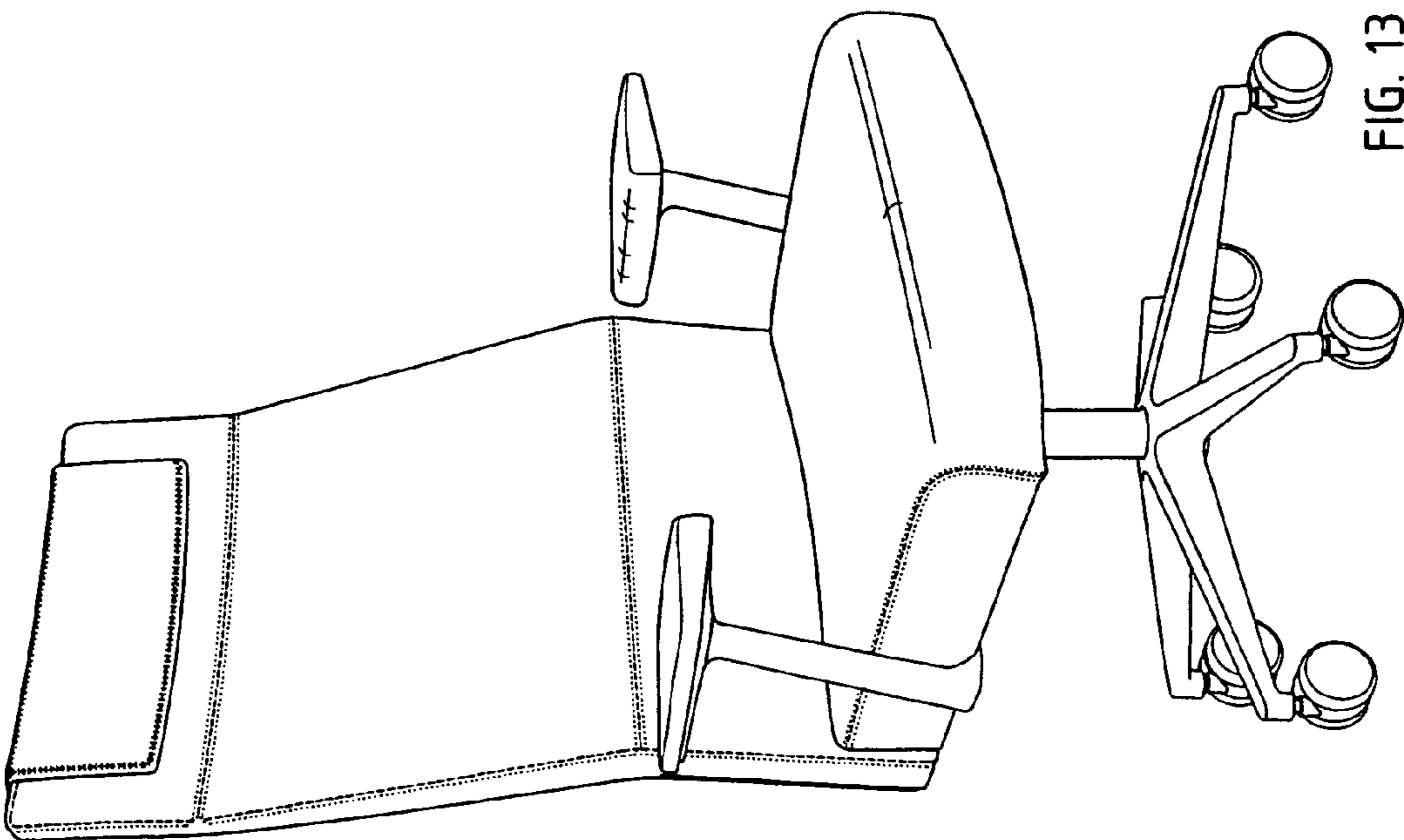


FIG. 13

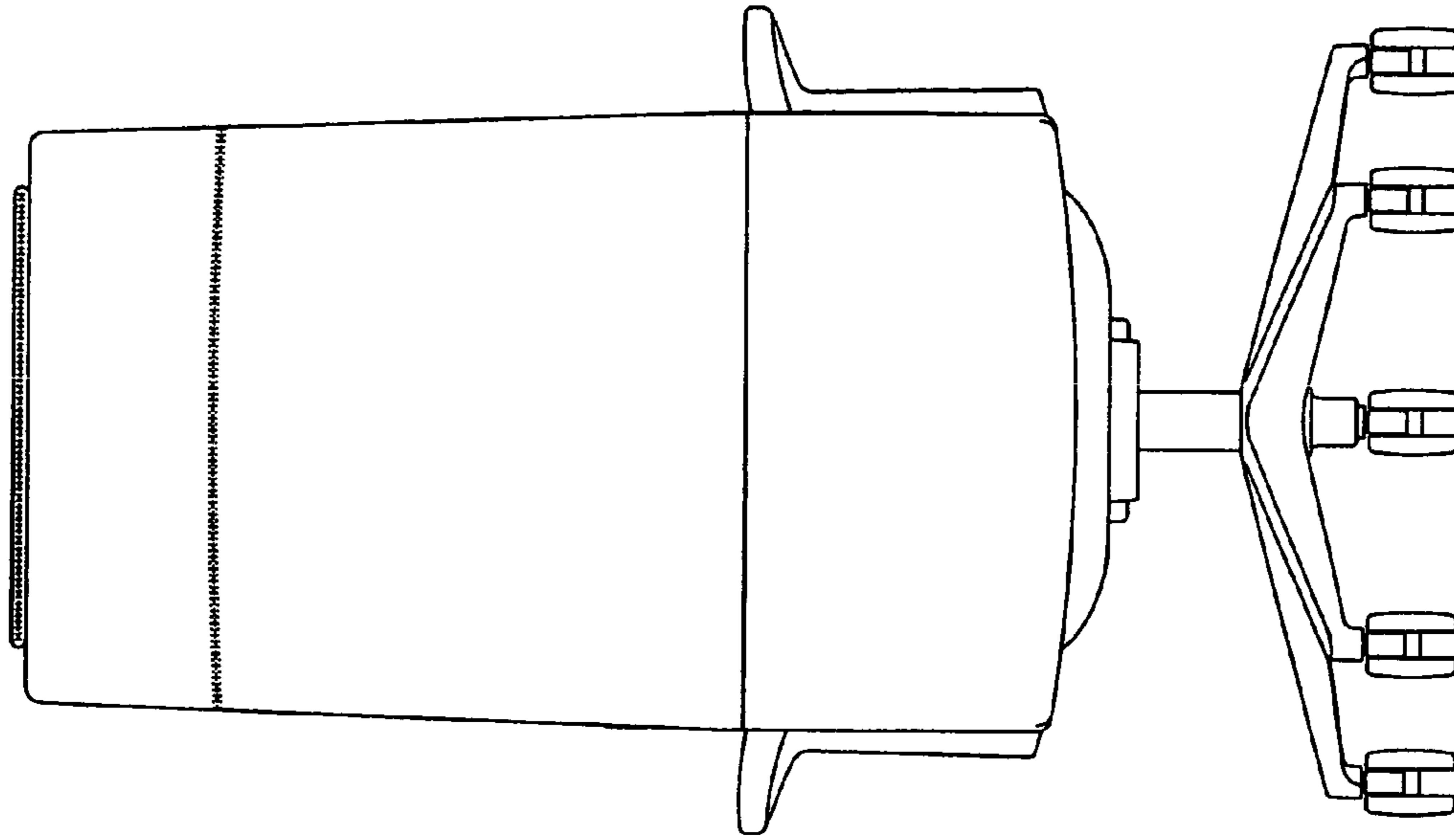


FIG. 16

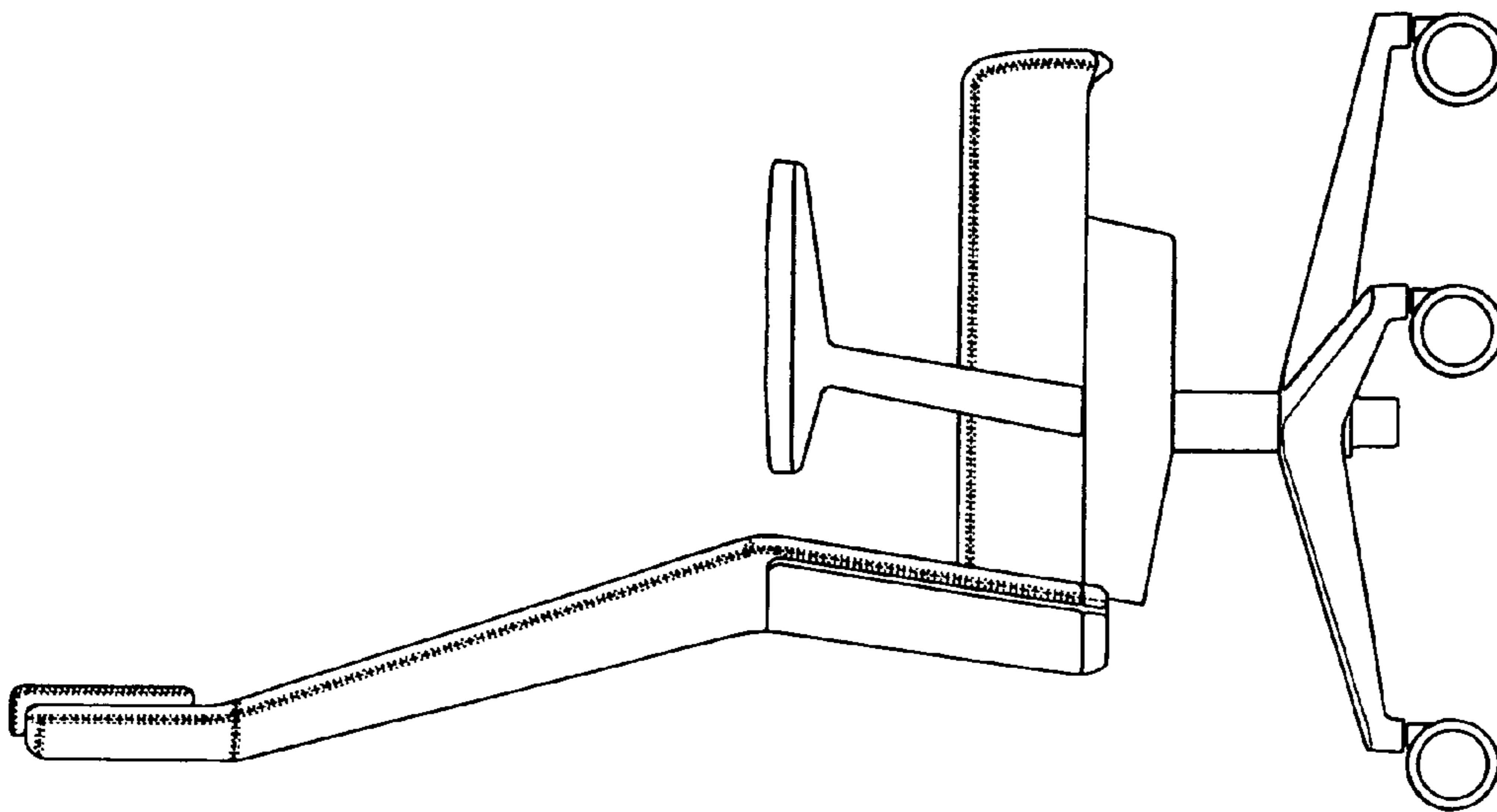


FIG. 15

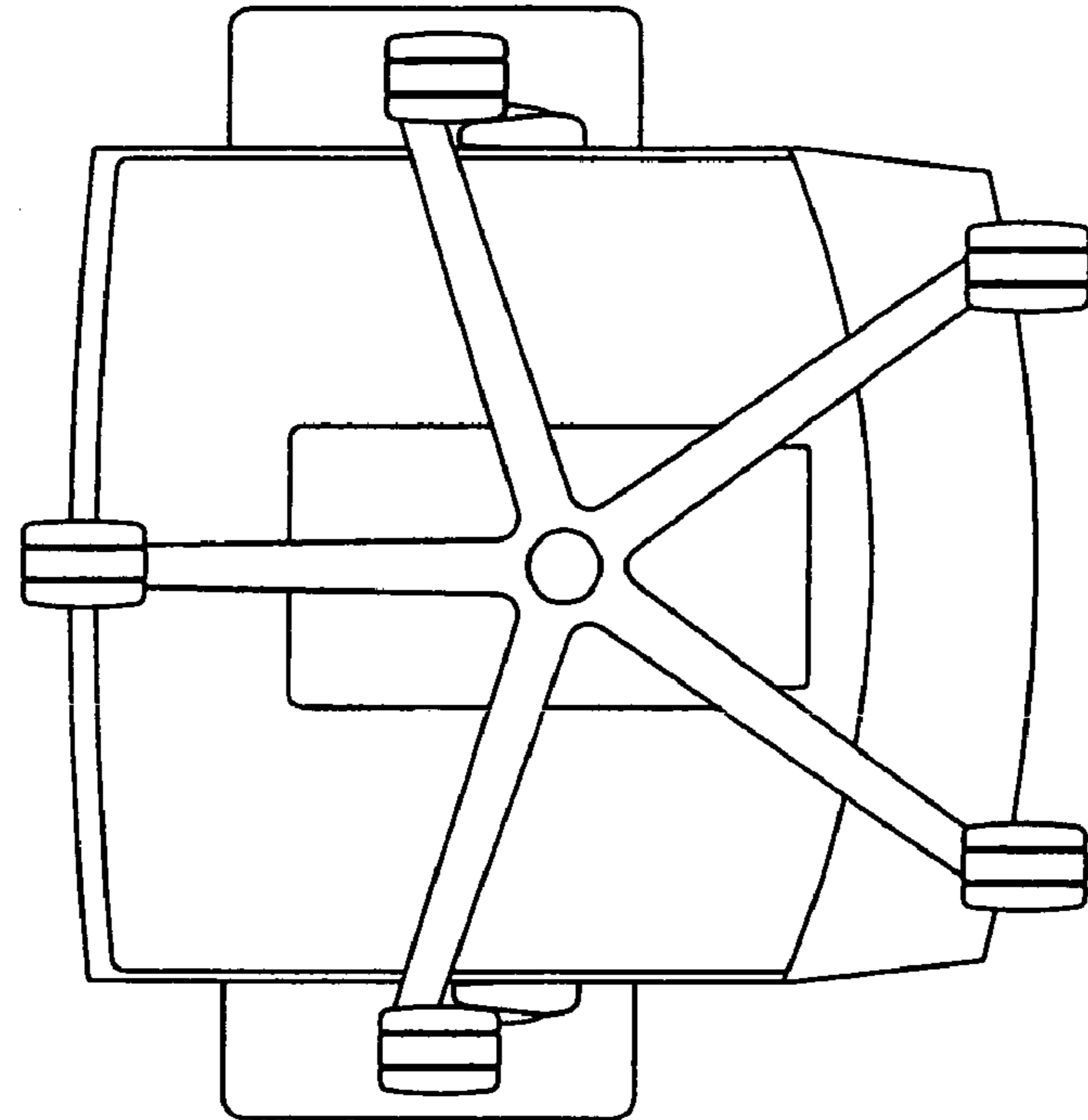


FIG. 18

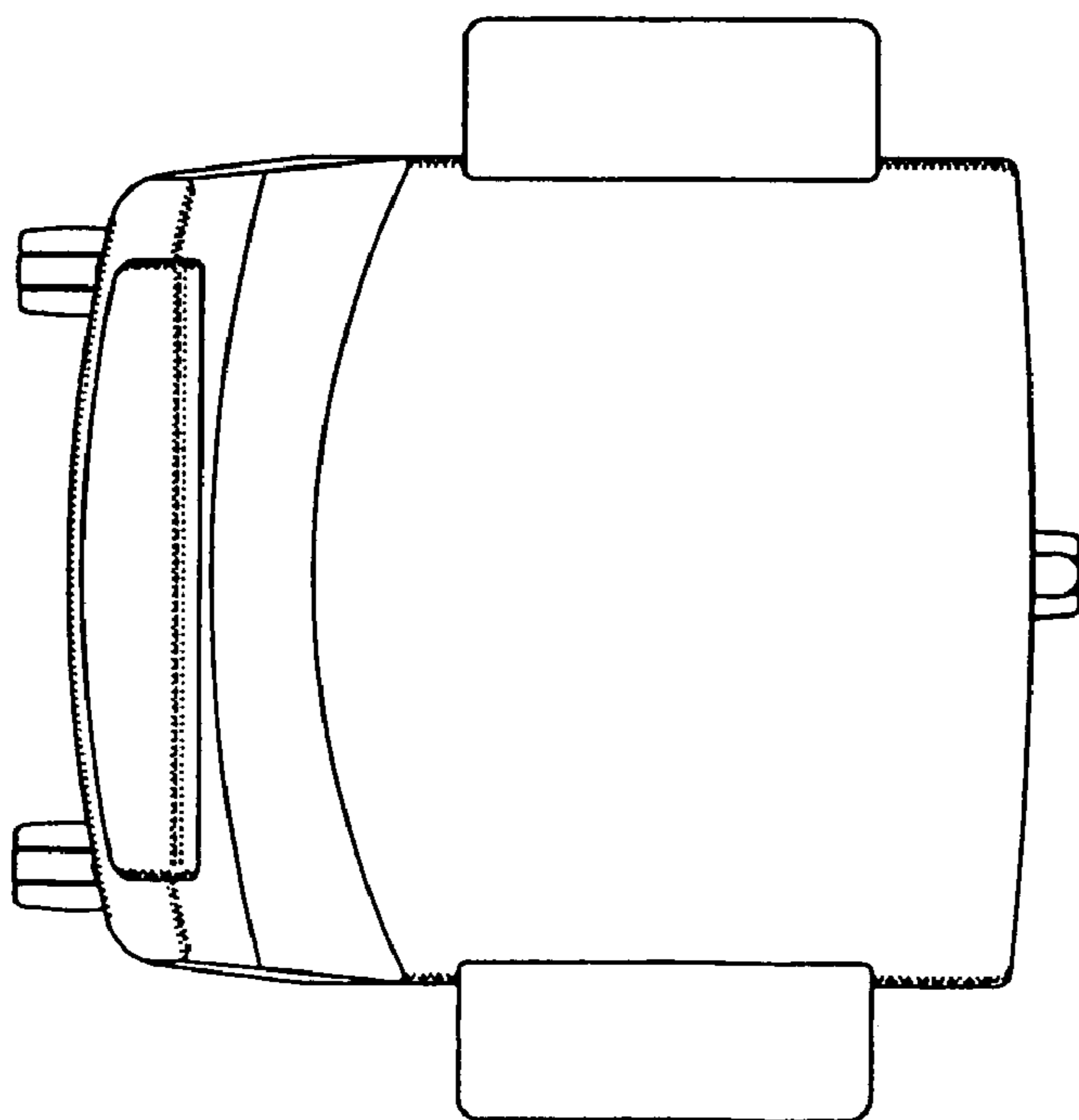


FIG. 17

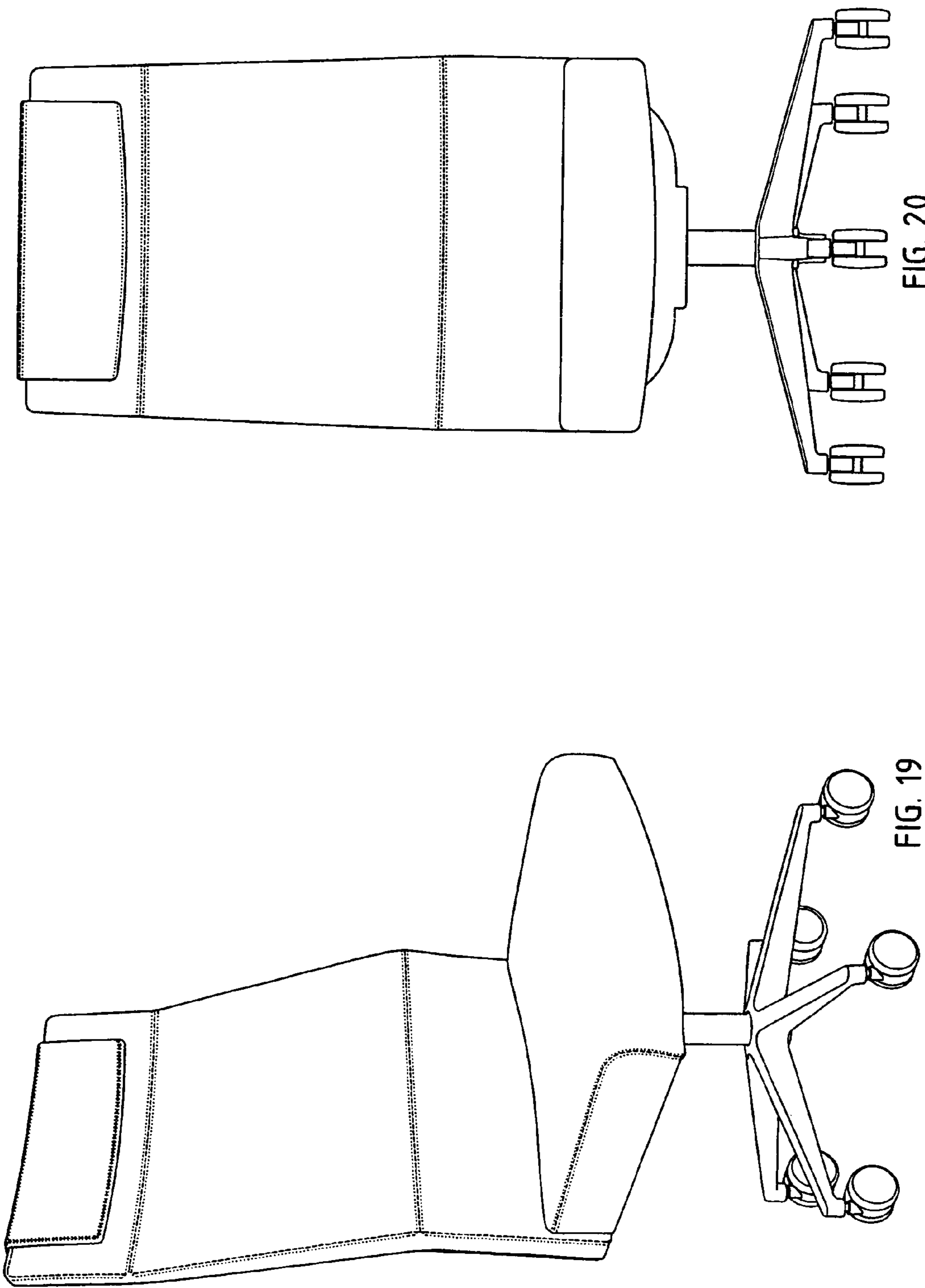


FIG. 20

FIG. 19

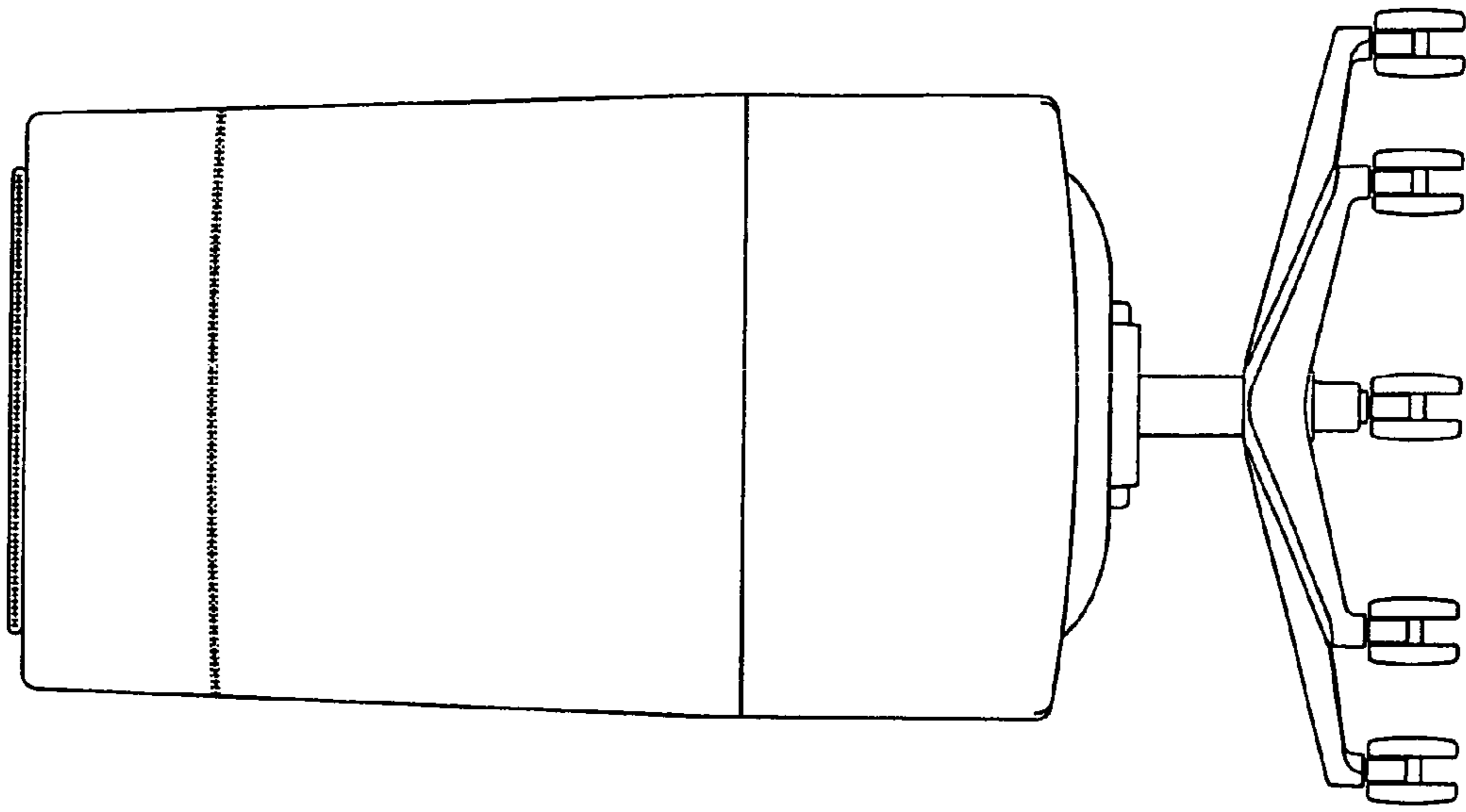


FIG. 21

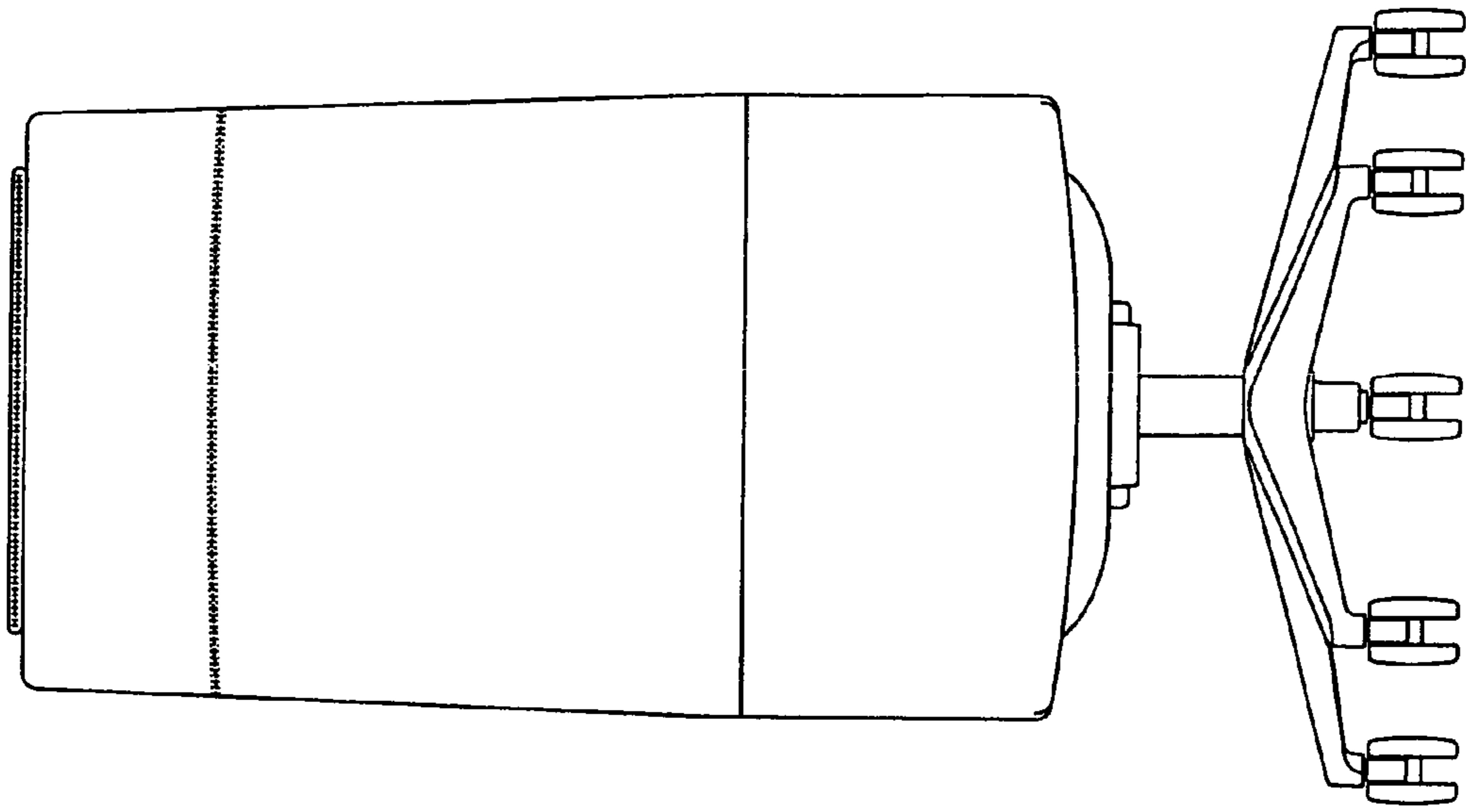


FIG. 22

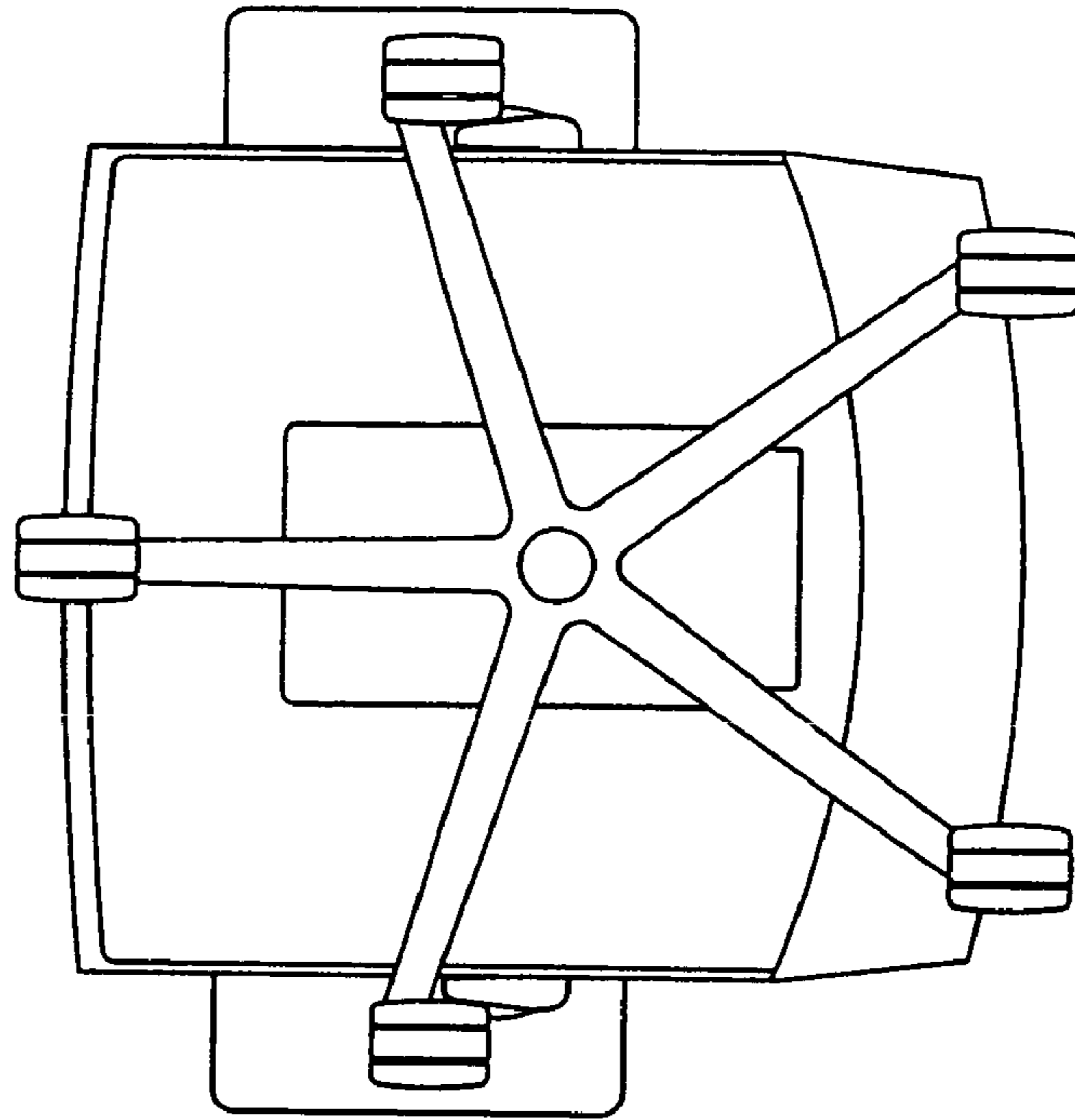


FIG. 24

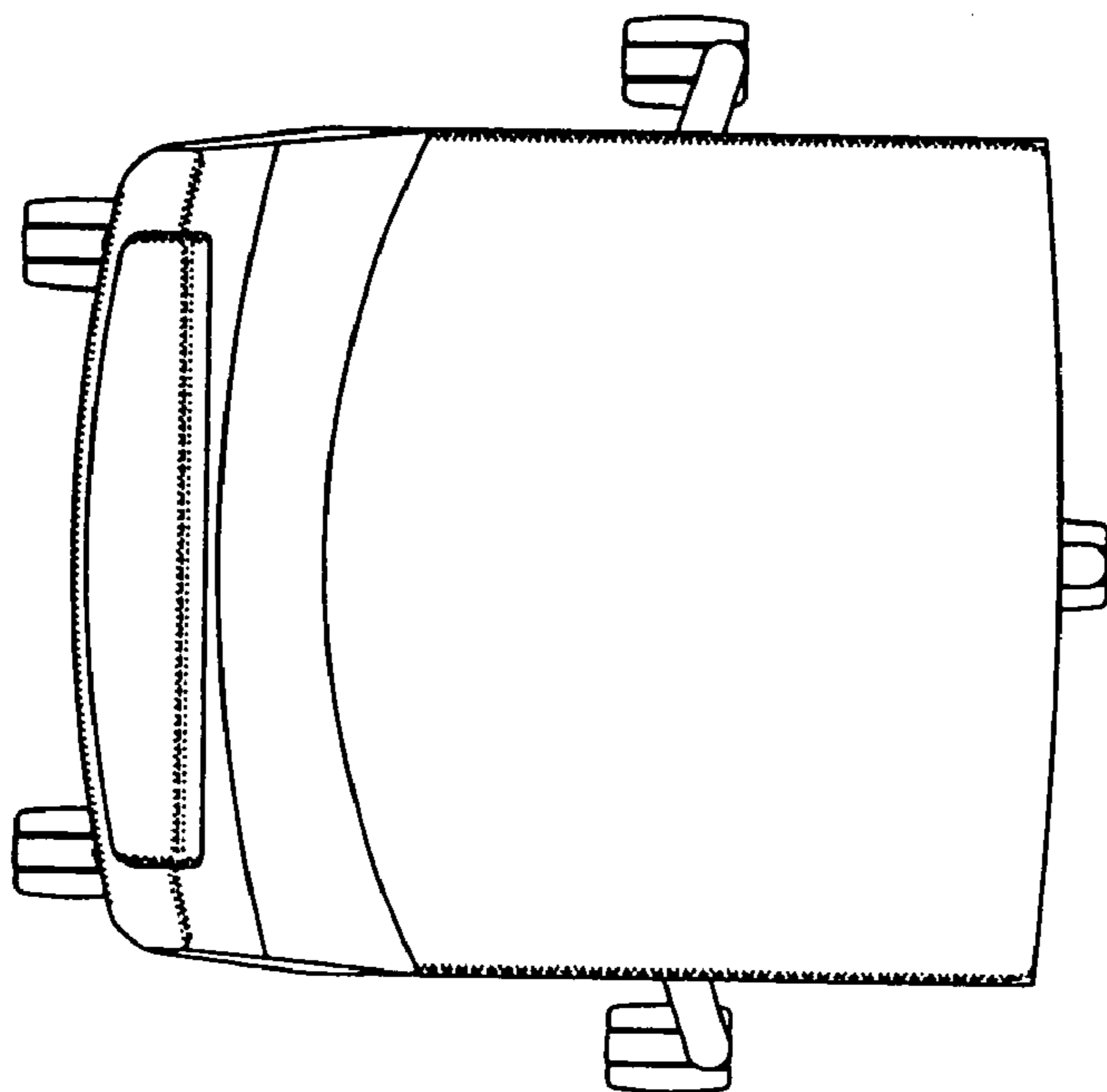


FIG. 23

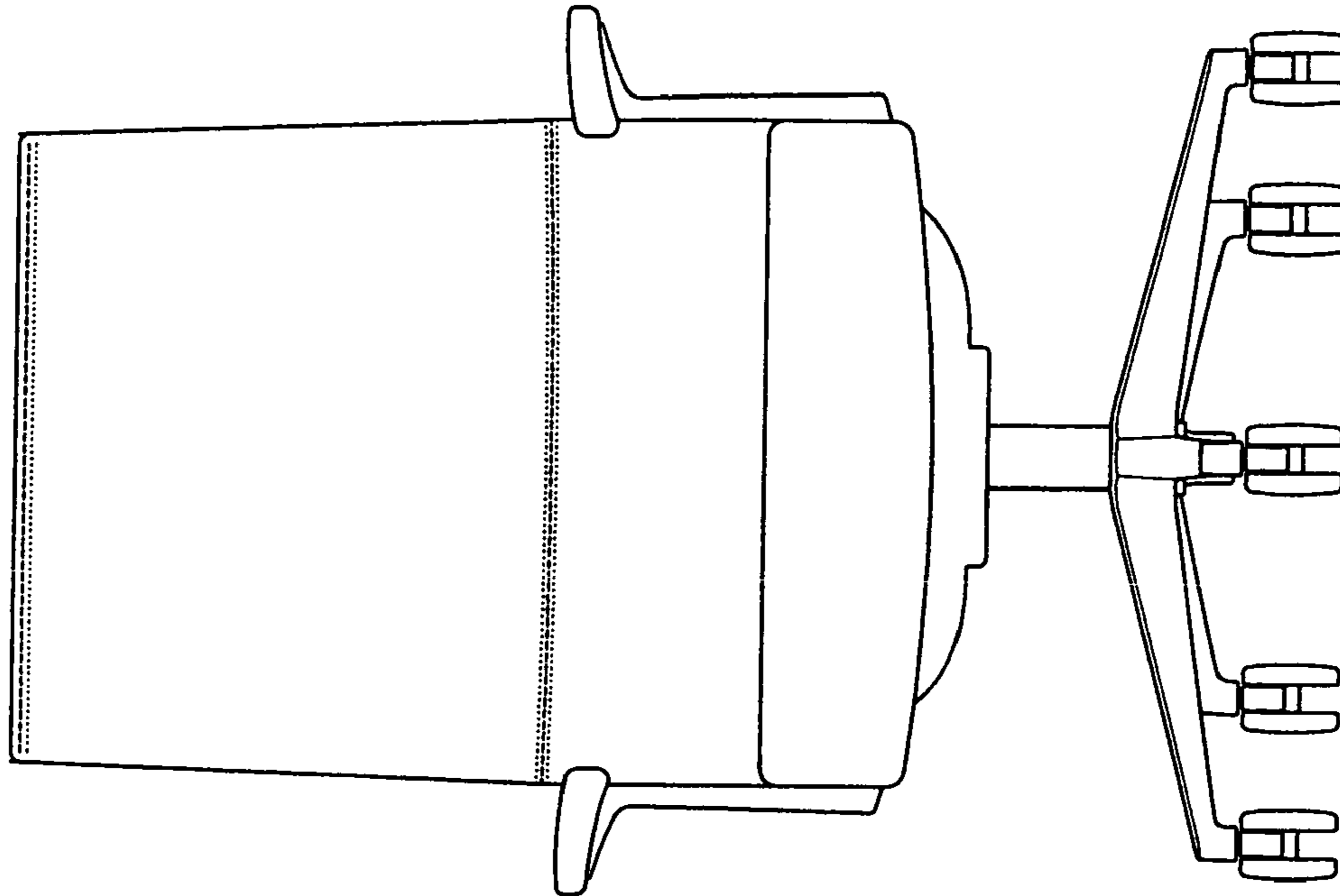


FIG. 26

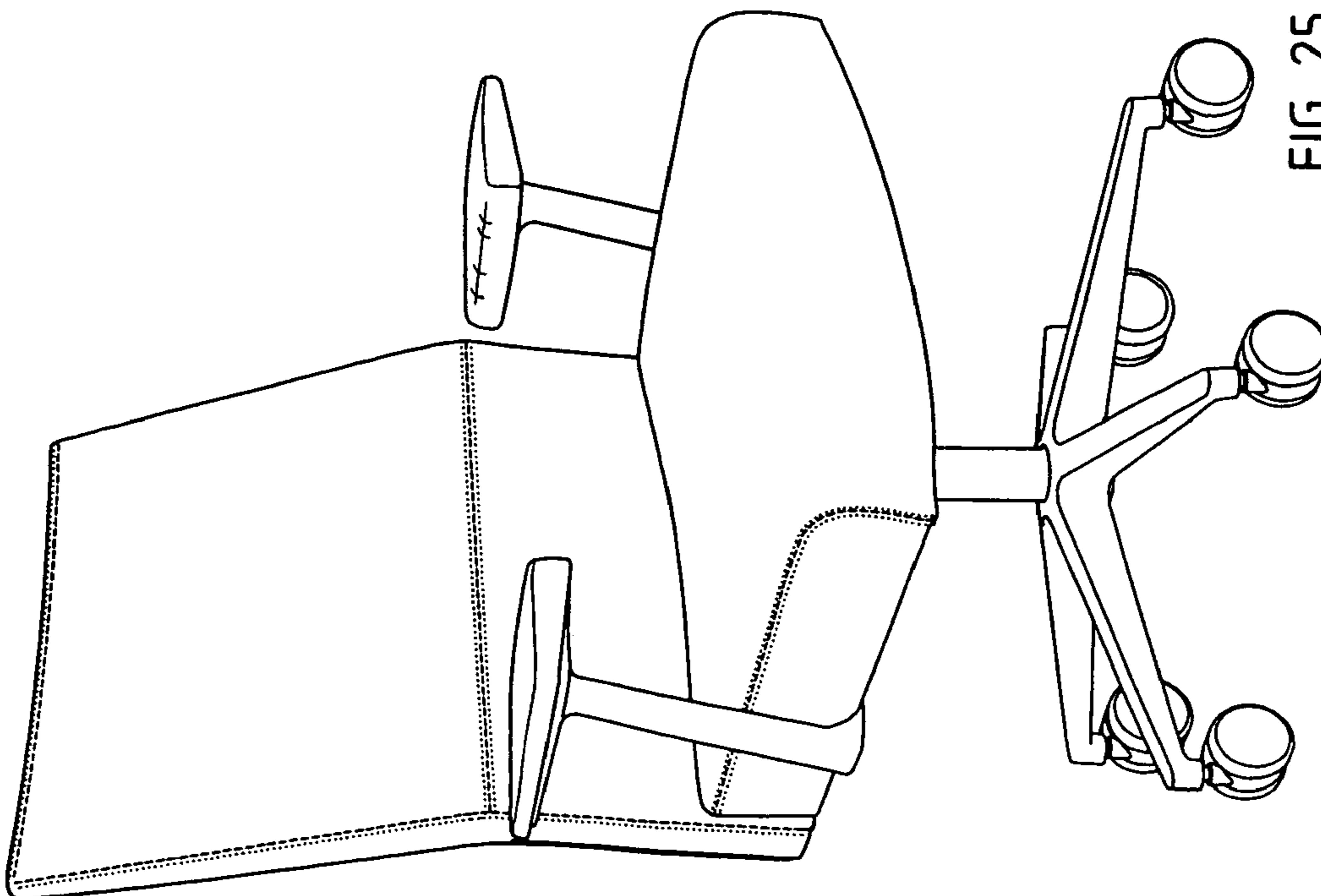


FIG. 25

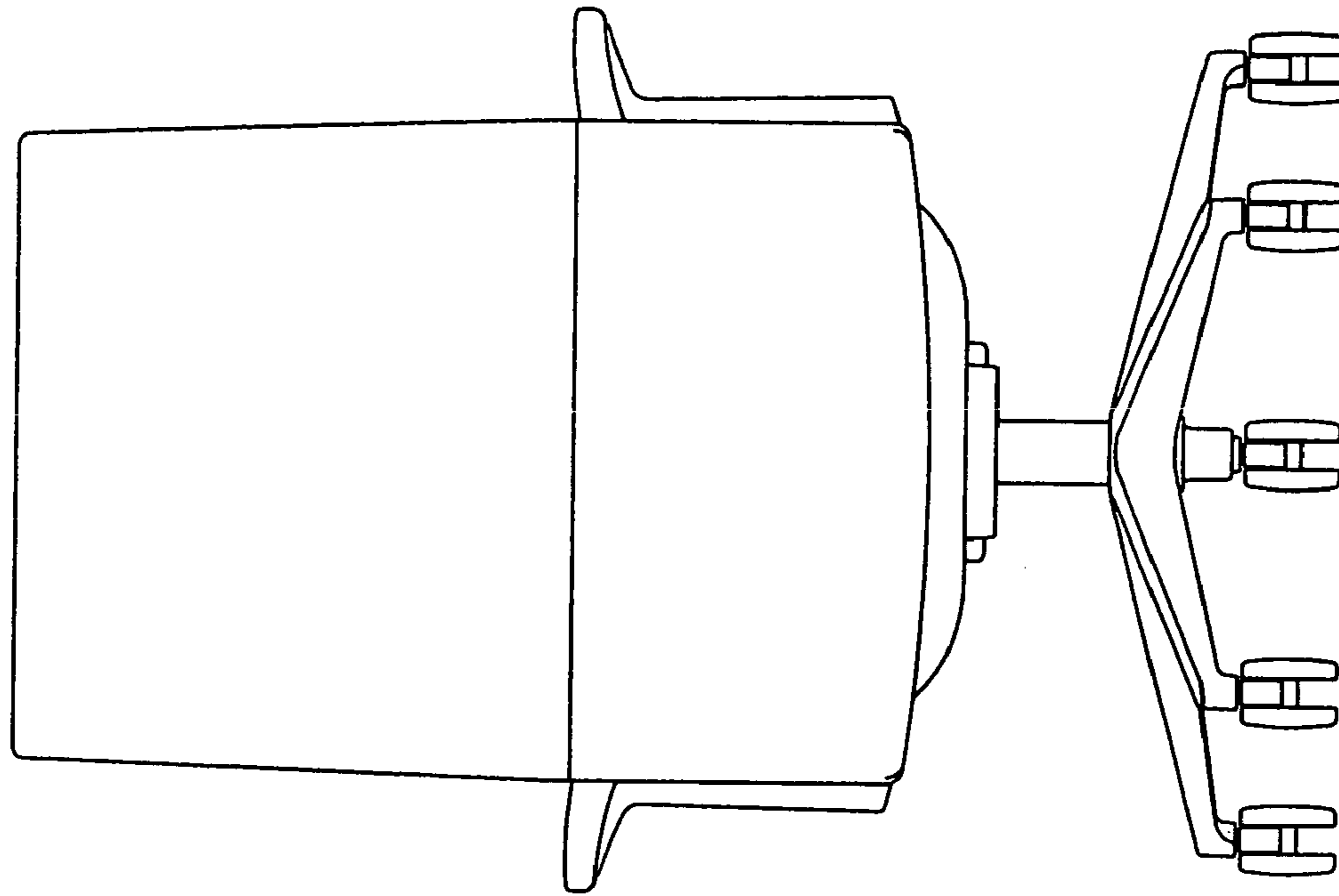


FIG. 28

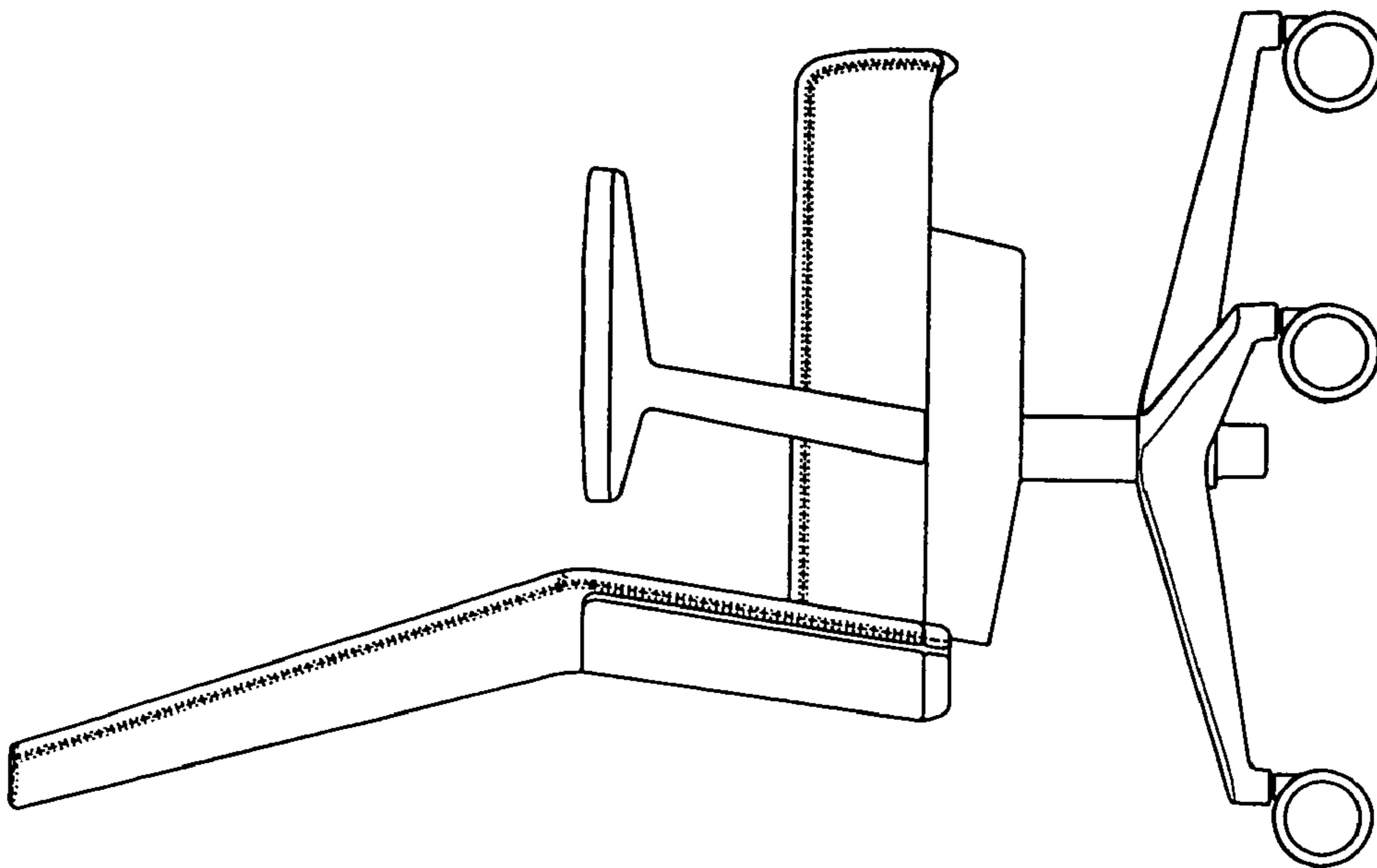


FIG. 27

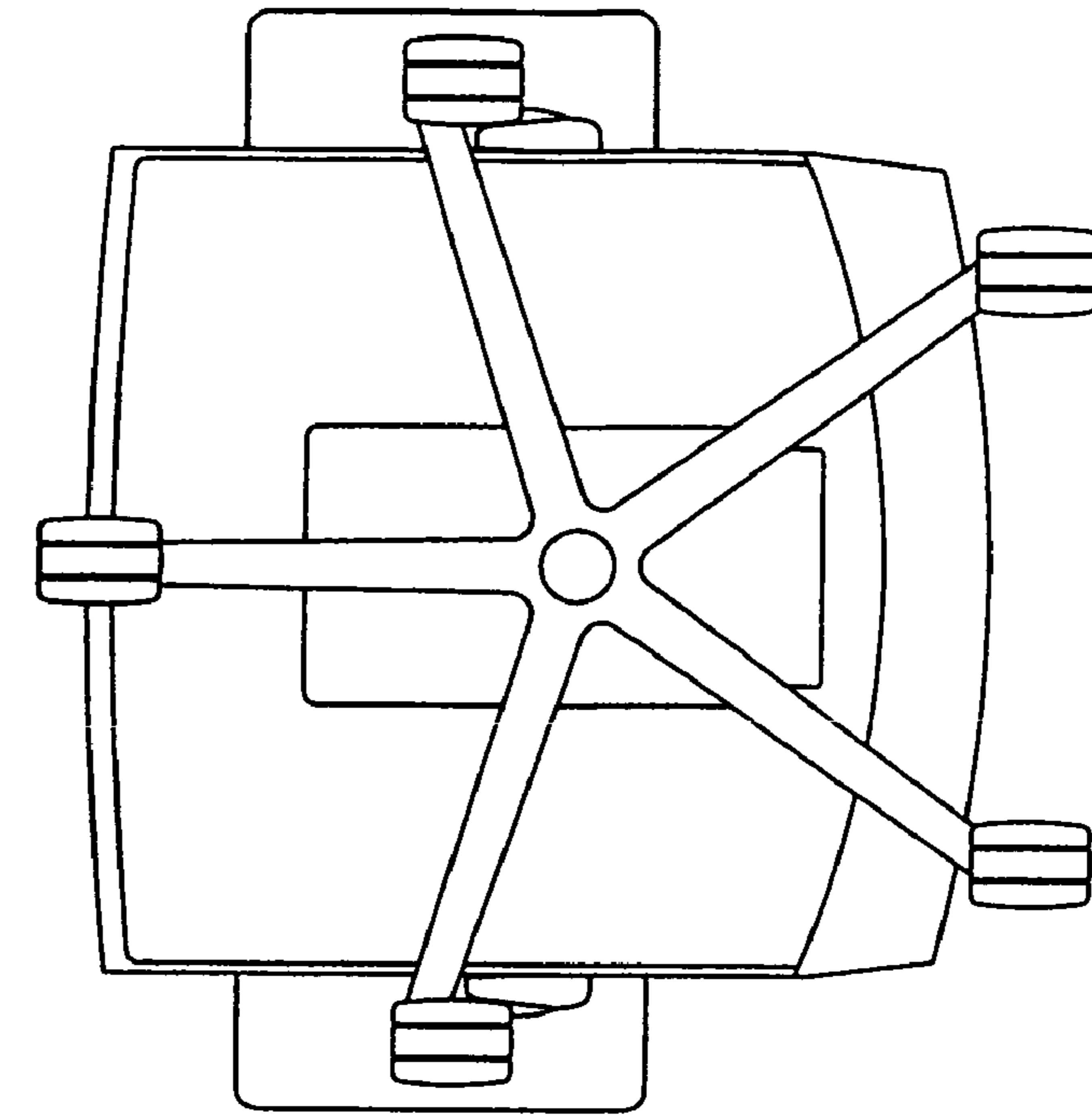


FIG. 29

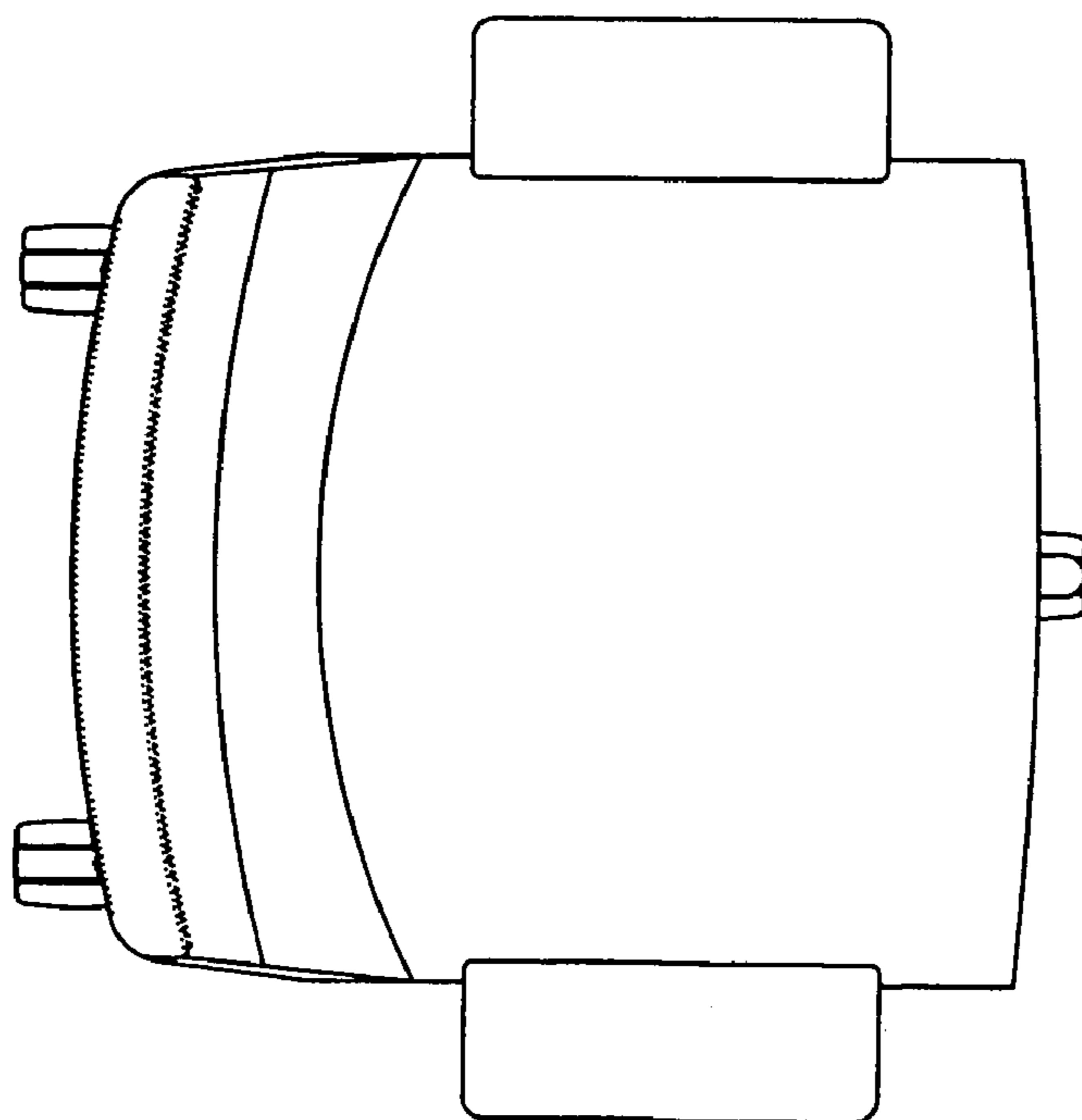


FIG. 30