



US00D555376S

(12) **United States Design Patent**
Lade

(10) **Patent No.:** **US D555,376 S**

(45) **Date of Patent:** **** Nov. 20, 2007**

(54) **CHAIR**

(75) Inventor: **Jan Lade**, Ikornnes (NO)

(73) Assignee: **Ekornes ASA**, Ikornnes (NO)

(**) Term: **14 Years**

(21) Appl. No.: **29/277,522**

(22) Filed: **Feb. 28, 2007**

(30) **Foreign Application Priority Data**

Sep. 5, 2006 (NO) 20060457

(51) **LOC (8) Cl.** **06-01**

(52) **U.S. Cl.** **D6/365**

(58) **Field of Classification Search** D6/334-336,
D6/364, 365, 366, 367, 368, 374, 500-502;
297/317, 391, 344.21, 451.4, 451.5, 452.16
See application file for complete search history.

(56) **References Cited**

U.S. PATENT DOCUMENTS

- D414,630 S * 10/1999 Buscio et al. D6/500
- D414,965 S * 10/1999 Zaidman D6/500
- D459,599 S * 7/2002 Zaidman D6/365
- D467,746 S * 12/2002 Zaidman D6/365

- D467,747 S * 12/2002 Zaidman D6/365
- D468,119 S * 1/2003 Zaidman D6/365
- D468,120 S * 1/2003 Zaidman D6/365
- D531,420 S * 11/2006 Kita D6/364
- D531,421 S * 11/2006 Egger D6/365
- D542,574 S * 5/2007 Johnson D6/500

* cited by examiner

Primary Examiner—Mimosa De

(74) *Attorney, Agent, or Firm*—Schneck & Schneck;
Thomas Schneck

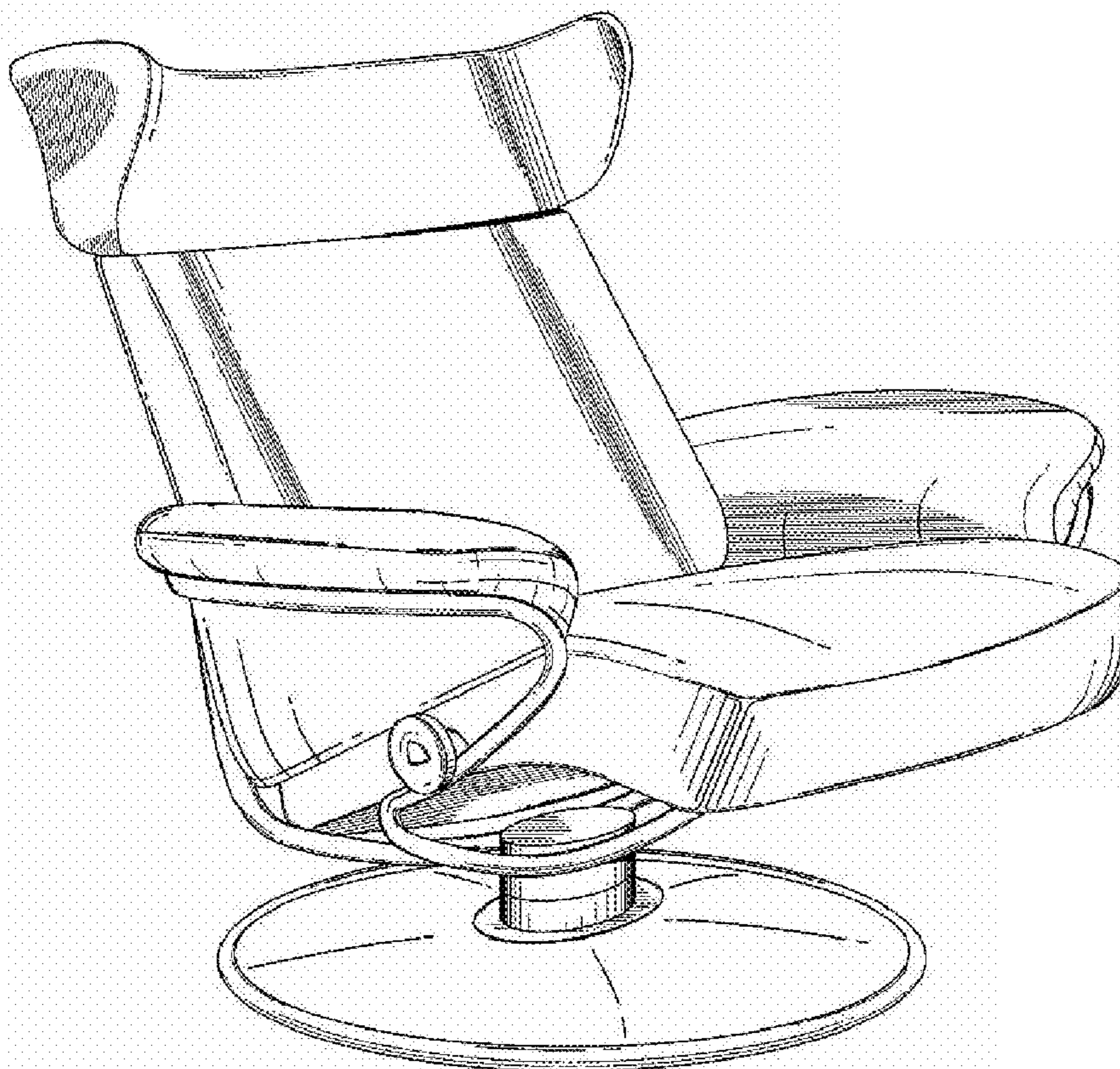
(57) **CLAIM**

I claim the design for a chair, as shown and described.

DESCRIPTION

FIG. 1 is a perspective view illustrating a chair of my design;
FIG. 2 is a front elevational view thereof;
FIG. 3 is a back elevational view thereof;
FIG. 4 is a left side view thereof;
FIG. 5 is a right side view thereof;
FIG. 6 is a top view thereof; and,
FIG. 7 is a bottom view thereof.

1 Claim, 4 Drawing Sheets



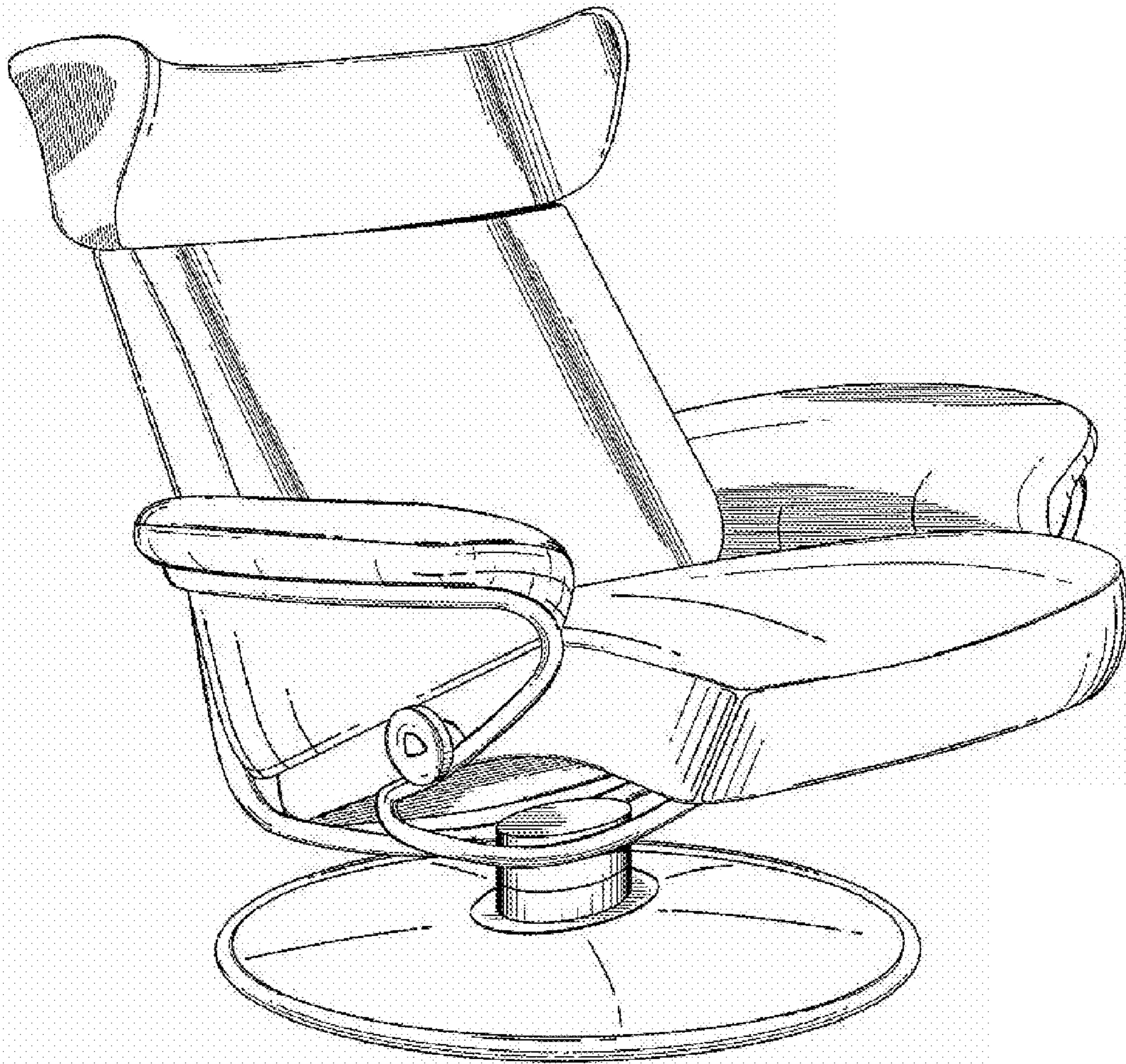


Fig. 1

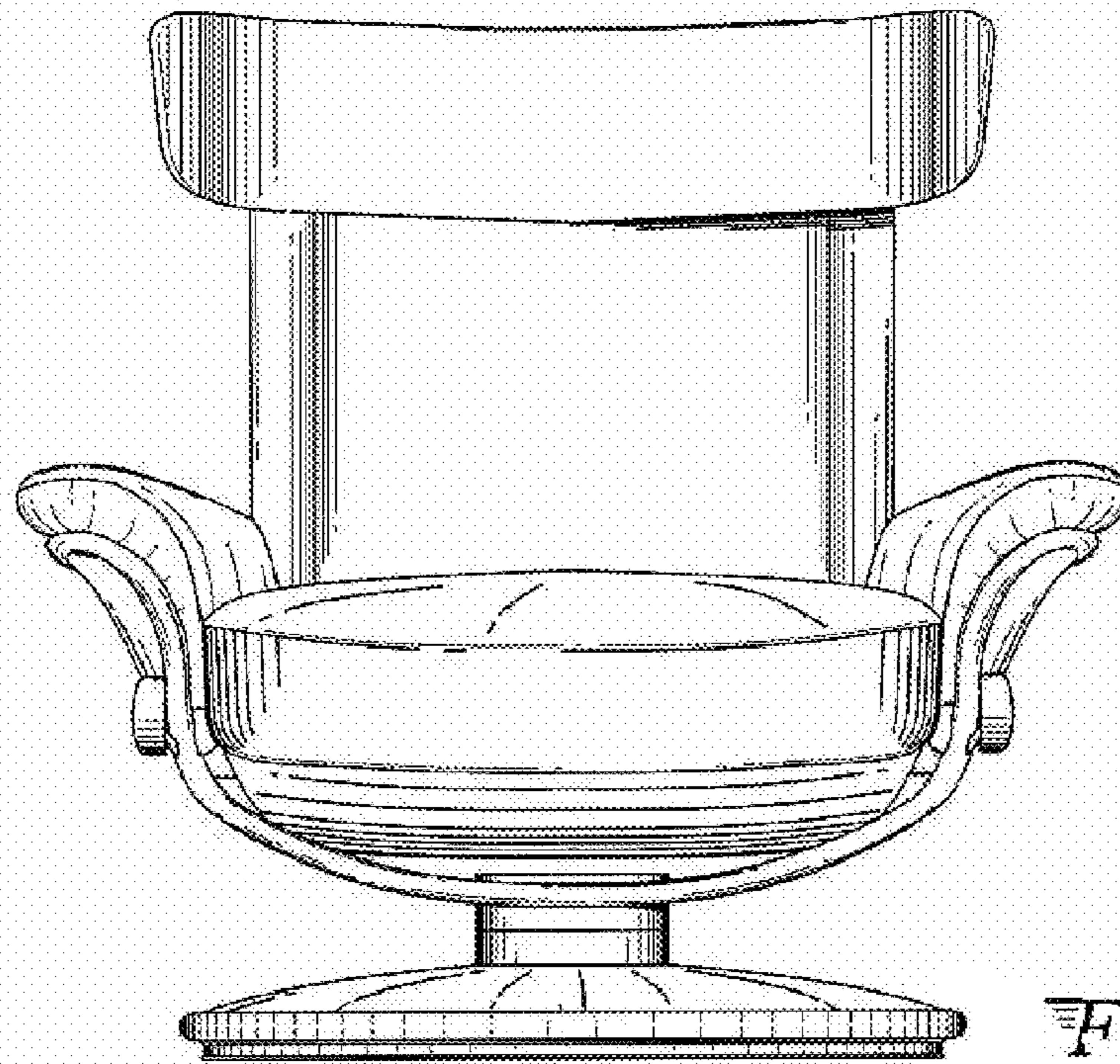


Fig. 2

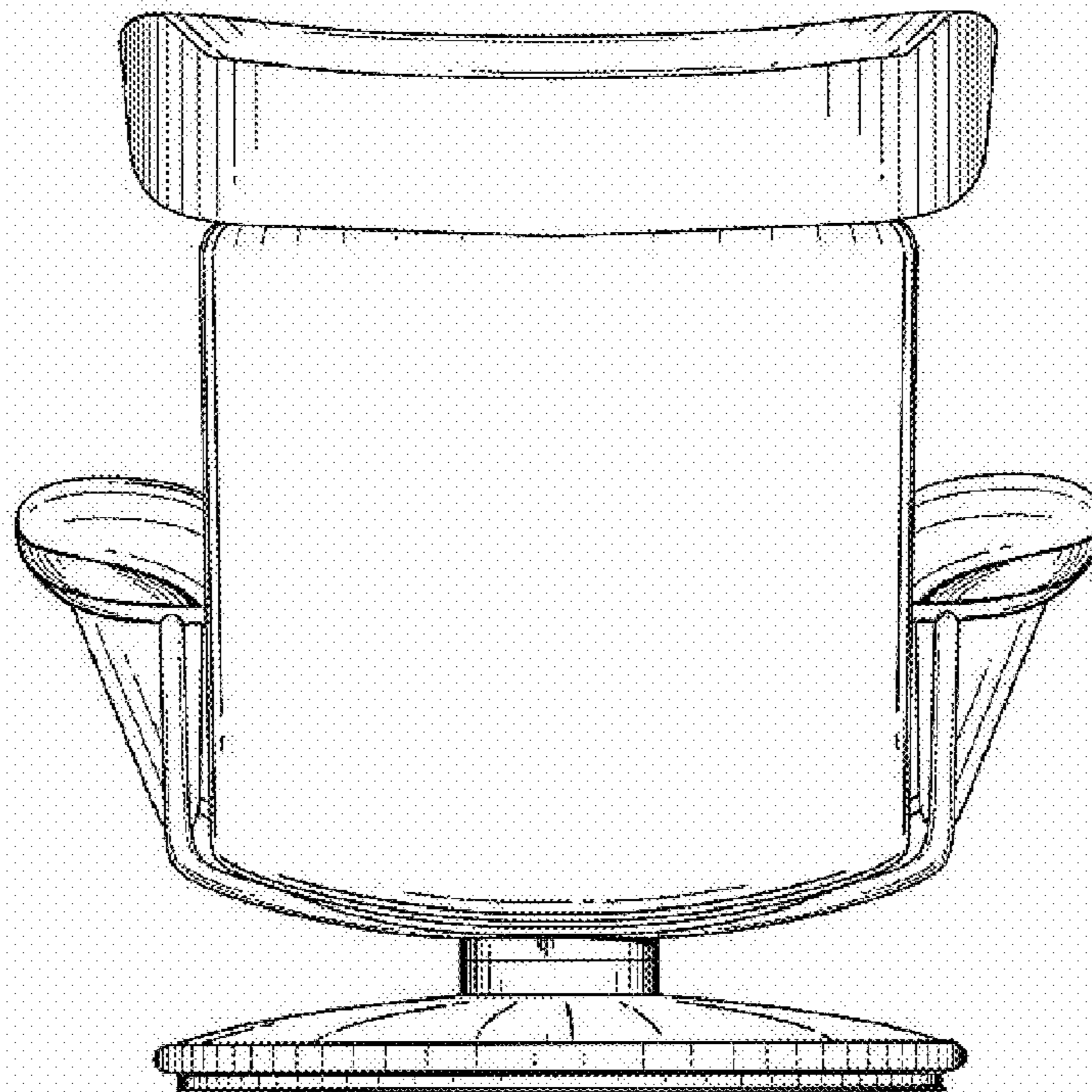


Fig. 3



Fig. 4

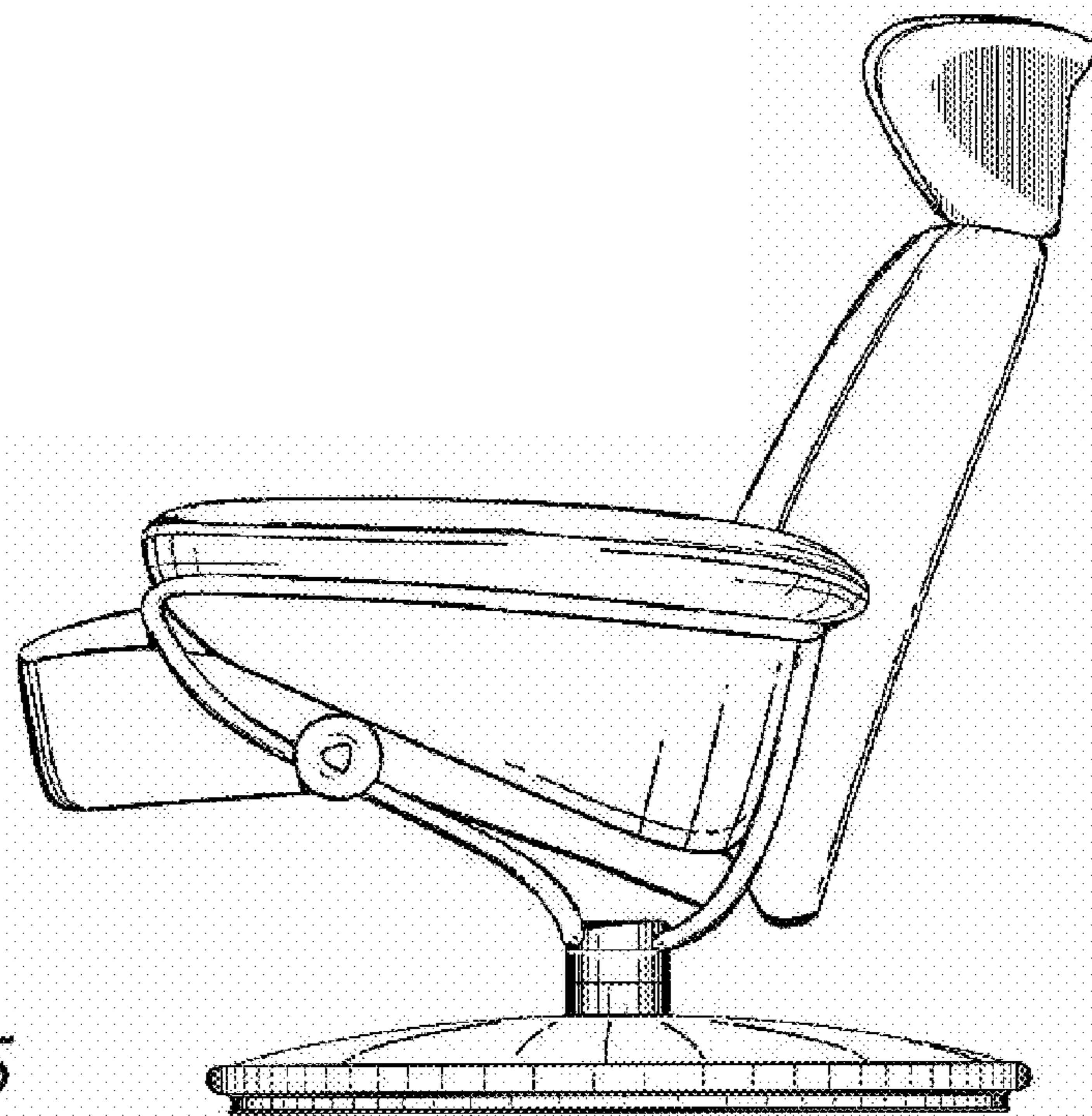


Fig. 5

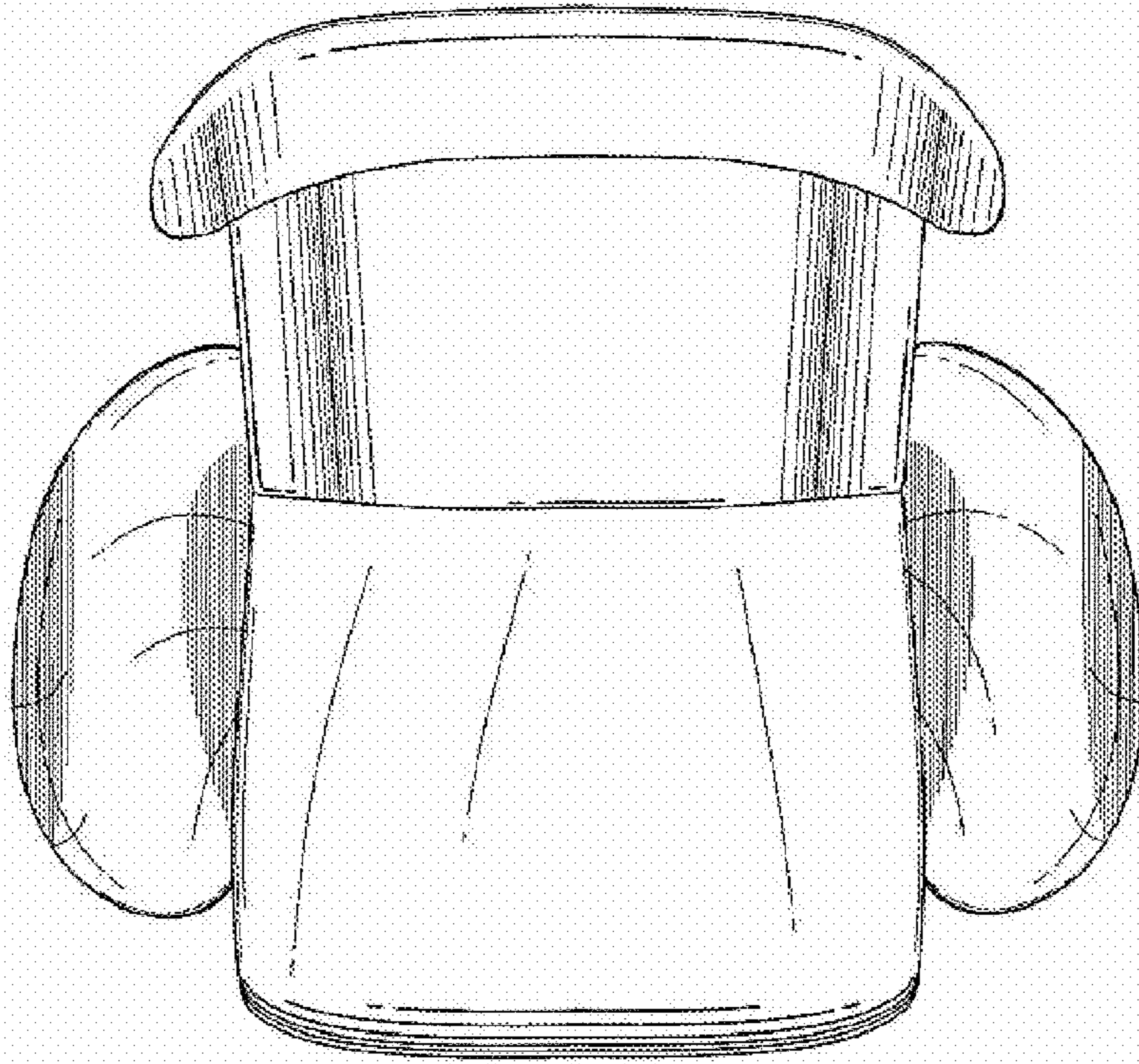


Fig. 6

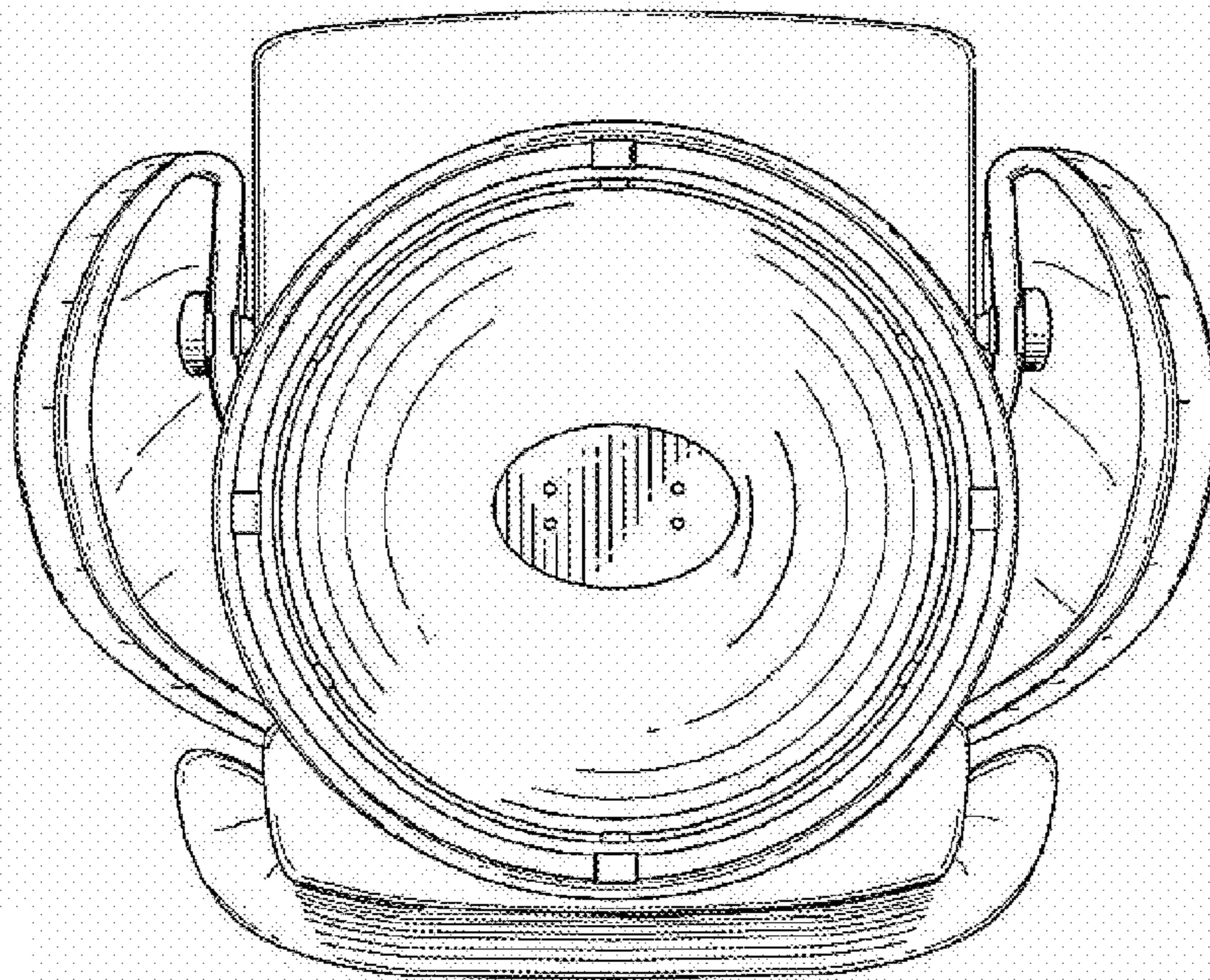


Fig. 7