



US00D555375S

(12) **United States Design Patent**  
**Mourgue**

(10) **Patent No.:** **US D555,375 S**

(45) **Date of Patent:** **\*\* Nov. 20, 2007**

(54) **SEAT**

D533,727 S \* 12/2006 Frinier ..... D6/361

(75) Inventor: **Pascal Mourgue**, Montreuil sous Bois (FR)

\* cited by examiner

*Primary Examiner*—Mimosa De

*Assistant Examiner*—Abraham Bahta

(73) Assignee: **Cinna** (FR)

(74) *Attorney, Agent, or Firm*—Cantor Colburn LLP

(\*\*) Term: **14 Years**

(57) **CLAIM**

(21) Appl. No.: **29/263,167**

I claim, the ornamental design for a seat, as shown and described.

(22) Filed: **Jul. 18, 2006**

(30) **Foreign Application Priority Data**

Jan. 18, 2006 (EP) ..... 000469895-005

**DESCRIPTION**

(51) **LOC (8) Cl.** ..... **06-01**

FIG. 1 is a front perspective view of a seat showing my new design;

(52) **U.S. Cl.** ..... **D6/361**

FIG. 2 is a rear perspective view thereof;

(58) **Field of Classification Search** ..... D6/367–369,  
D6/360–361, 374, 382, 364, 365, 375, 500–502;  
297/353, 118, 354.1, 423.1, 452.12, 284.1;  
5/12.1, 656, 657, 620–622

FIG. 3 is a front view thereof;

FIG. 4 is a rear view thereof;

See application file for complete search history.

FIG. 5 is a side view thereof, the opposite side being a mirror image thereof;

FIG. 6 is a top view thereof;

FIG. 7 is a bottom view thereof;

(56) **References Cited**

**U.S. PATENT DOCUMENTS**

D120,131 S *	4/1940	Moeller	.....	D6/335
D183,790 S *	10/1958	Deaton	.....	D6/361
D217,449 S *	5/1970	Meyer	.....	D6/361
D228,428 S *	9/1973	Wilson	.....	D6/361
D387,211 S *	12/1997	Mourgue	.....	D6/361
D398,454 S *	9/1998	Desombre	.....	D6/360
D490,618 S *	6/2004	Green et al.	.....	D6/361
D504,244 S *	4/2005	Mourgue	.....	D6/361
D509,079 S *	9/2005	Natuzzi	.....	D6/361
D530,933 S *	10/2006	Vitaro	.....	D6/361
D531,828 S *	11/2006	Frinier	.....	D6/361
D533,368 S *	12/2006	Natuzzi	.....	D6/361

FIG. 8 is a perspective view thereof showing the seat in an alternate configuration;

FIG. 9 is another perspective view thereof;

FIG. 10 is a side view thereof, the opposite side being a mirror image thereof;

FIG. 11 is a rear view thereof; and,

FIG. 12 is a top view thereof.

The exemplary pillow shown in broken lines in FIGS. 1–2, 3 and 5 is for illustrative purposes only and forms no part of the claimed design.

**1 Claim, 6 Drawing Sheets**

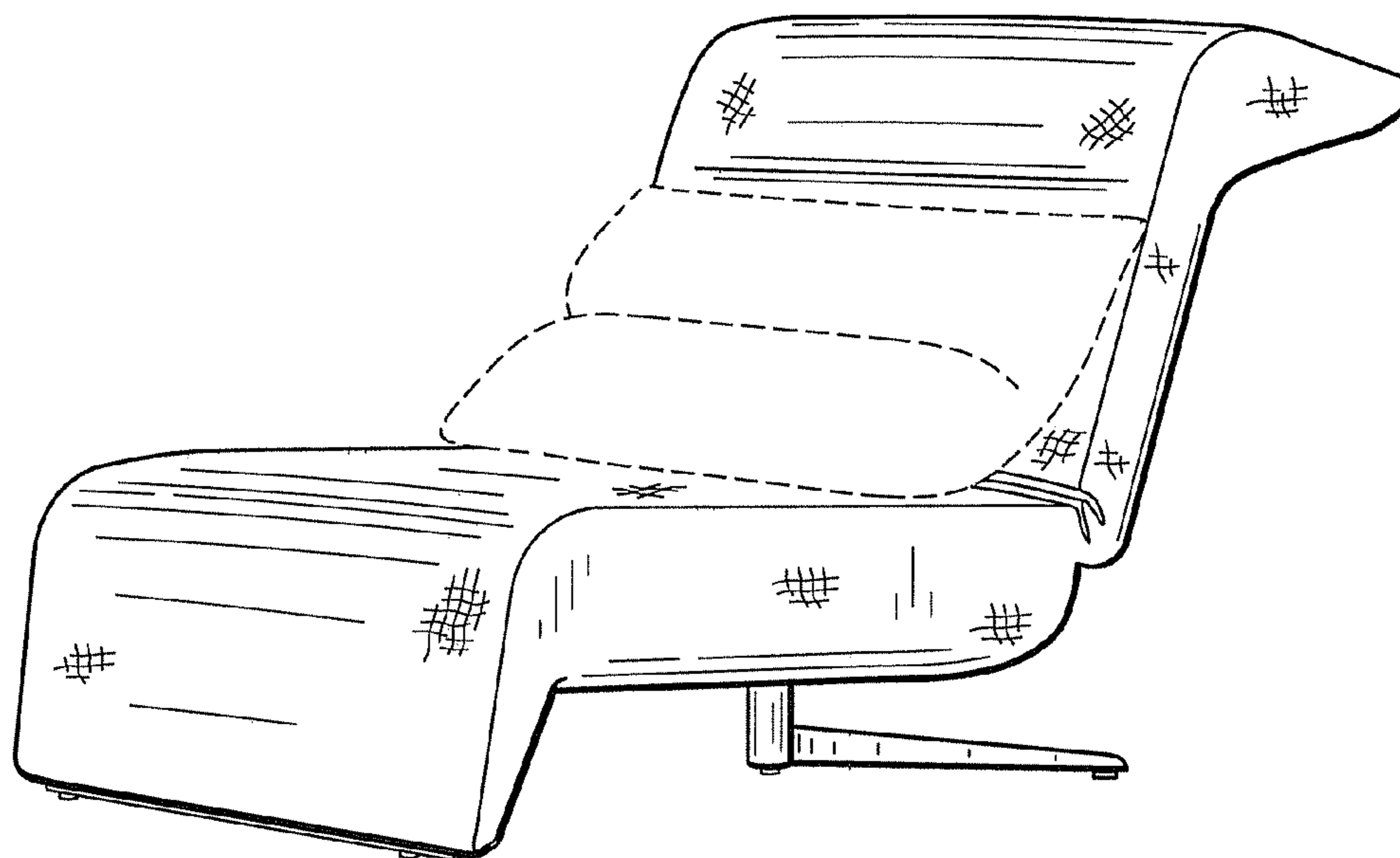


FIG. 1

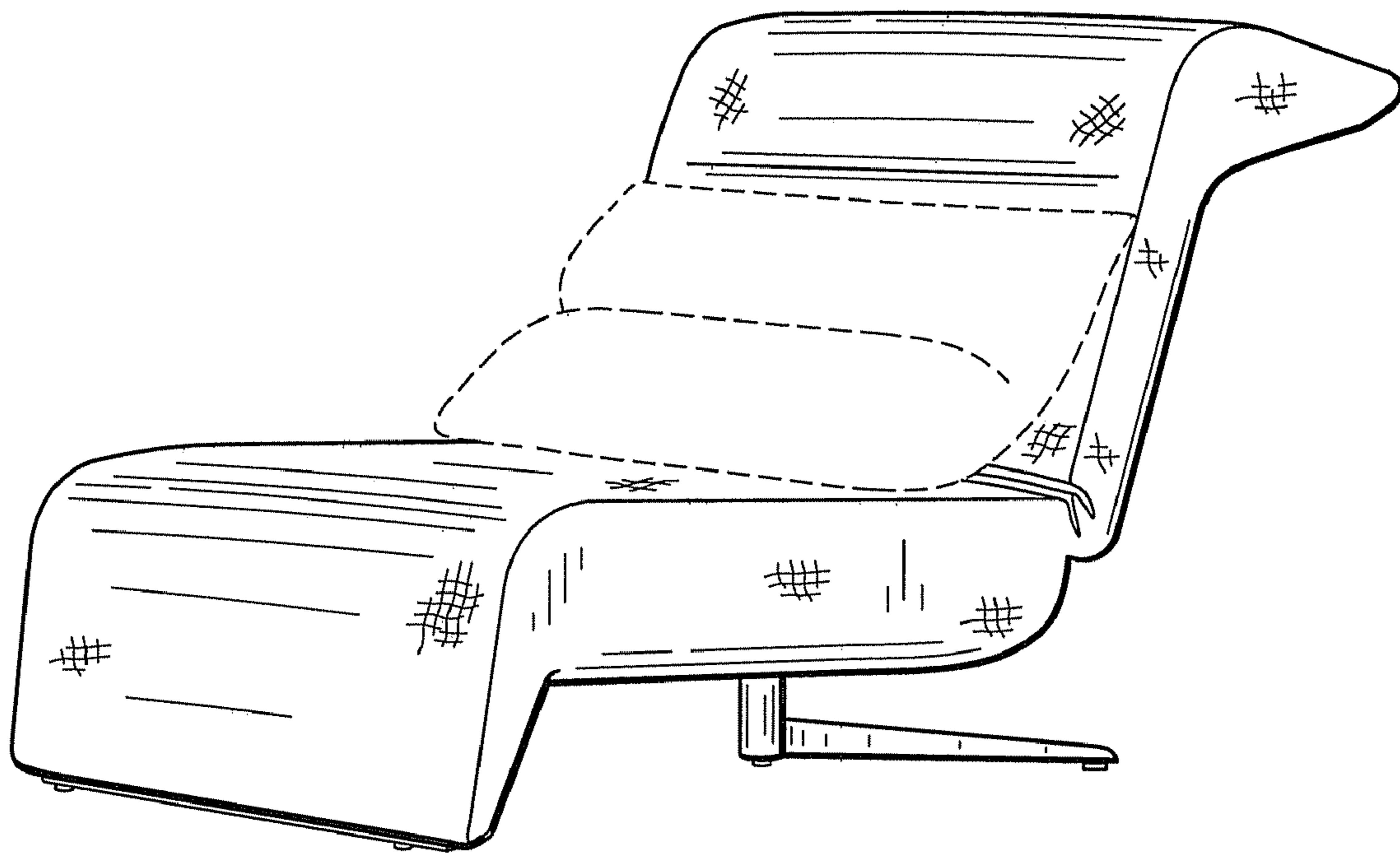


FIG. 2

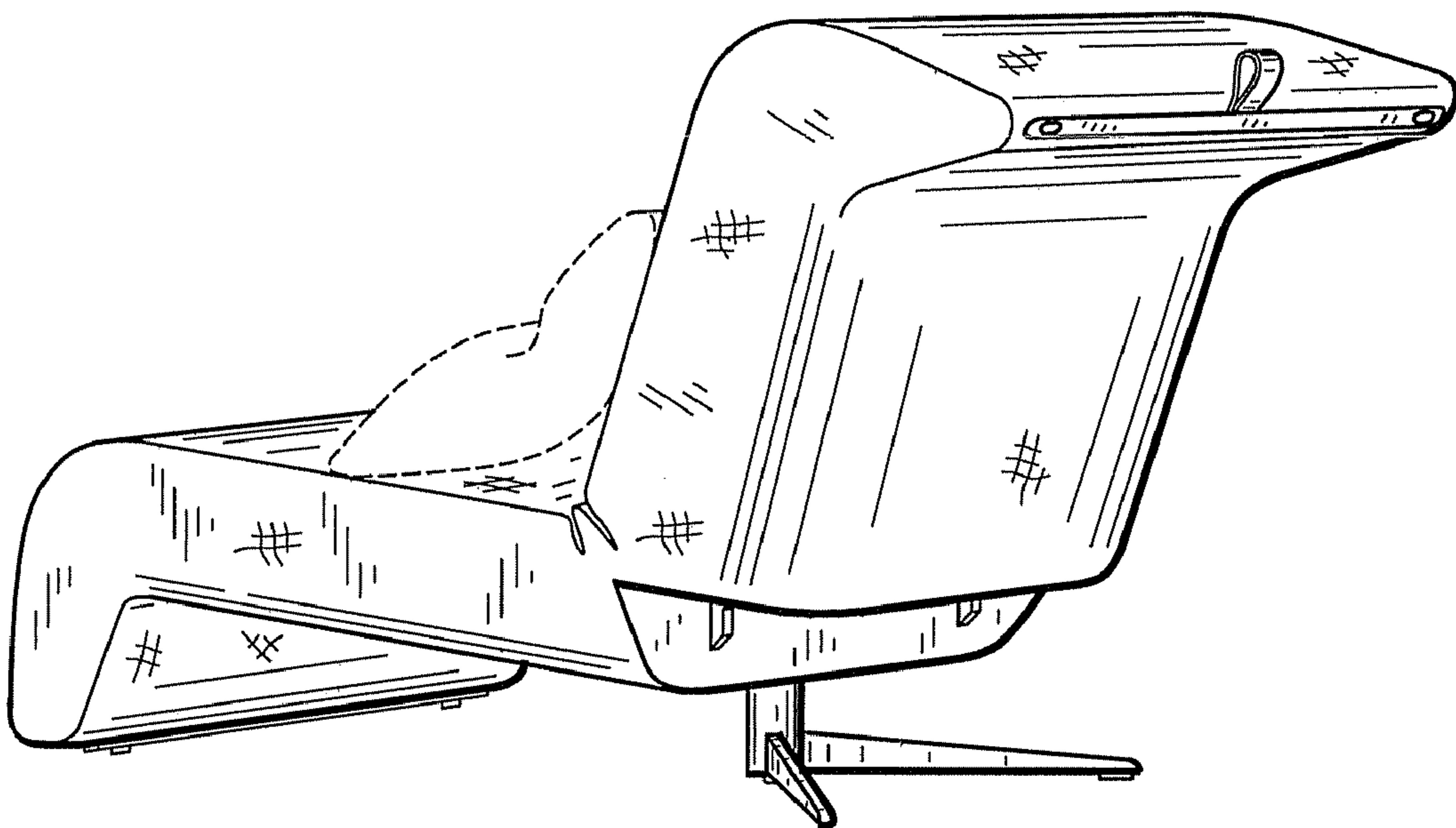


FIG. 3

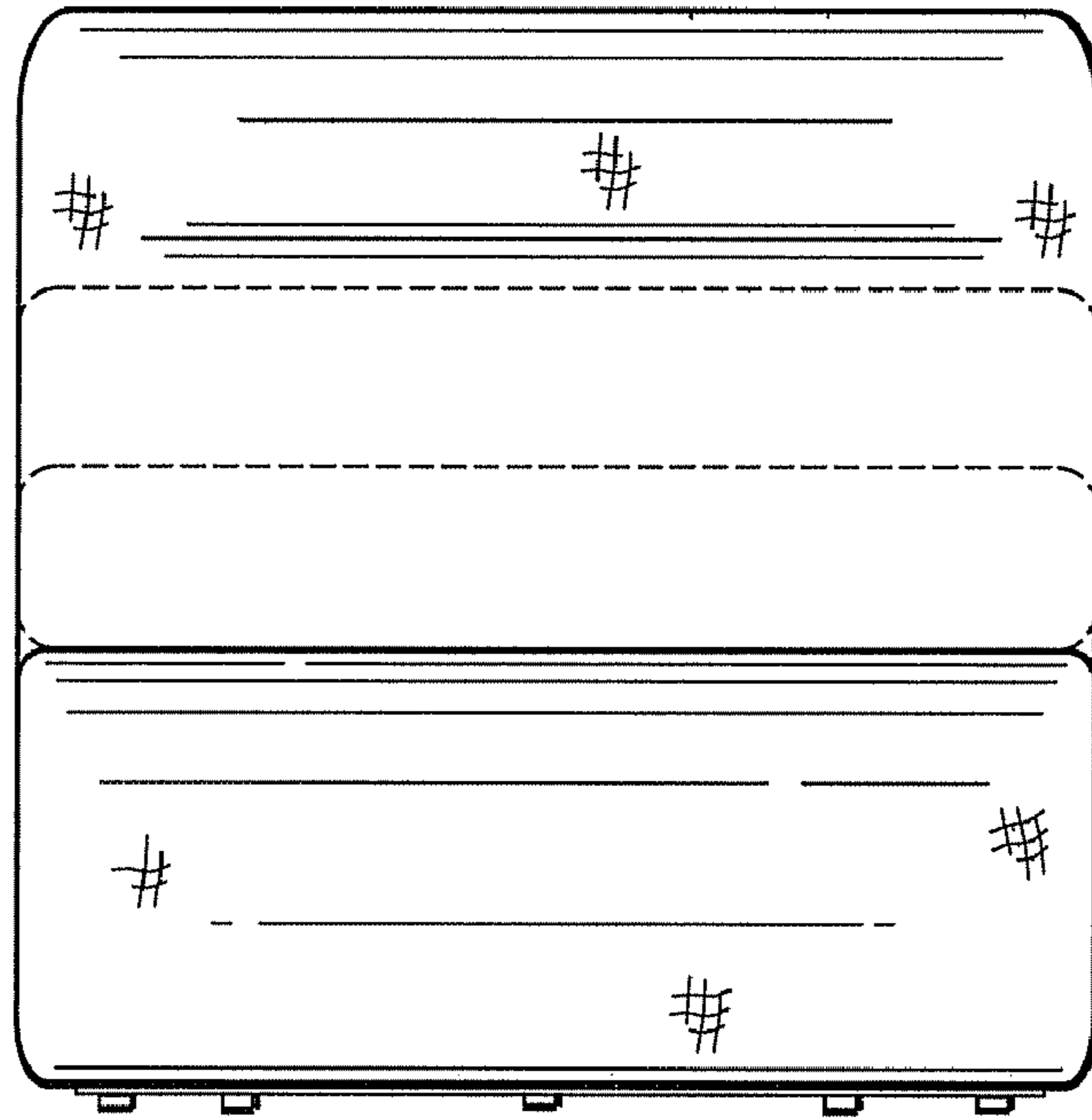


FIG. 4

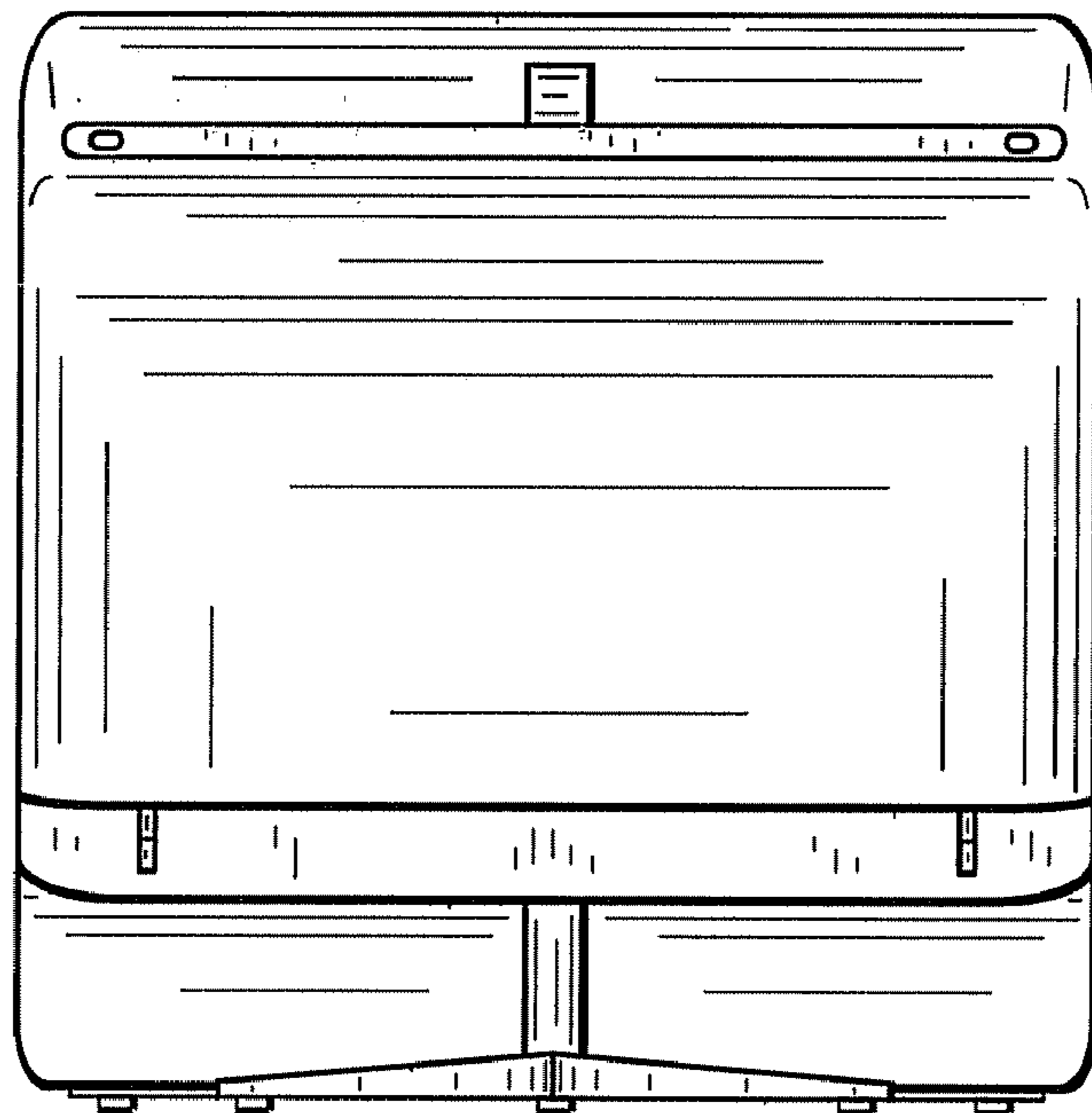


FIG. 5

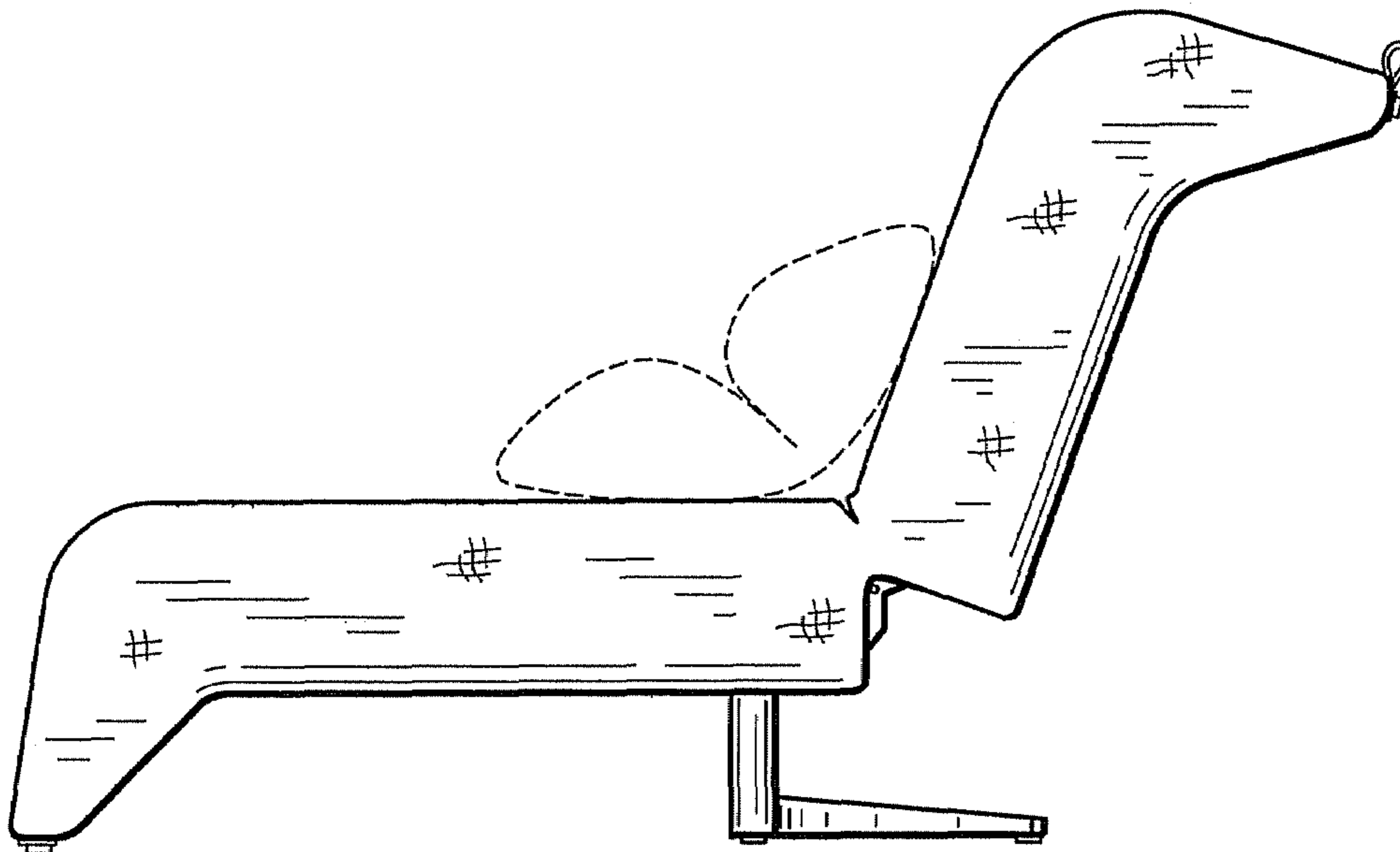


FIG. 6

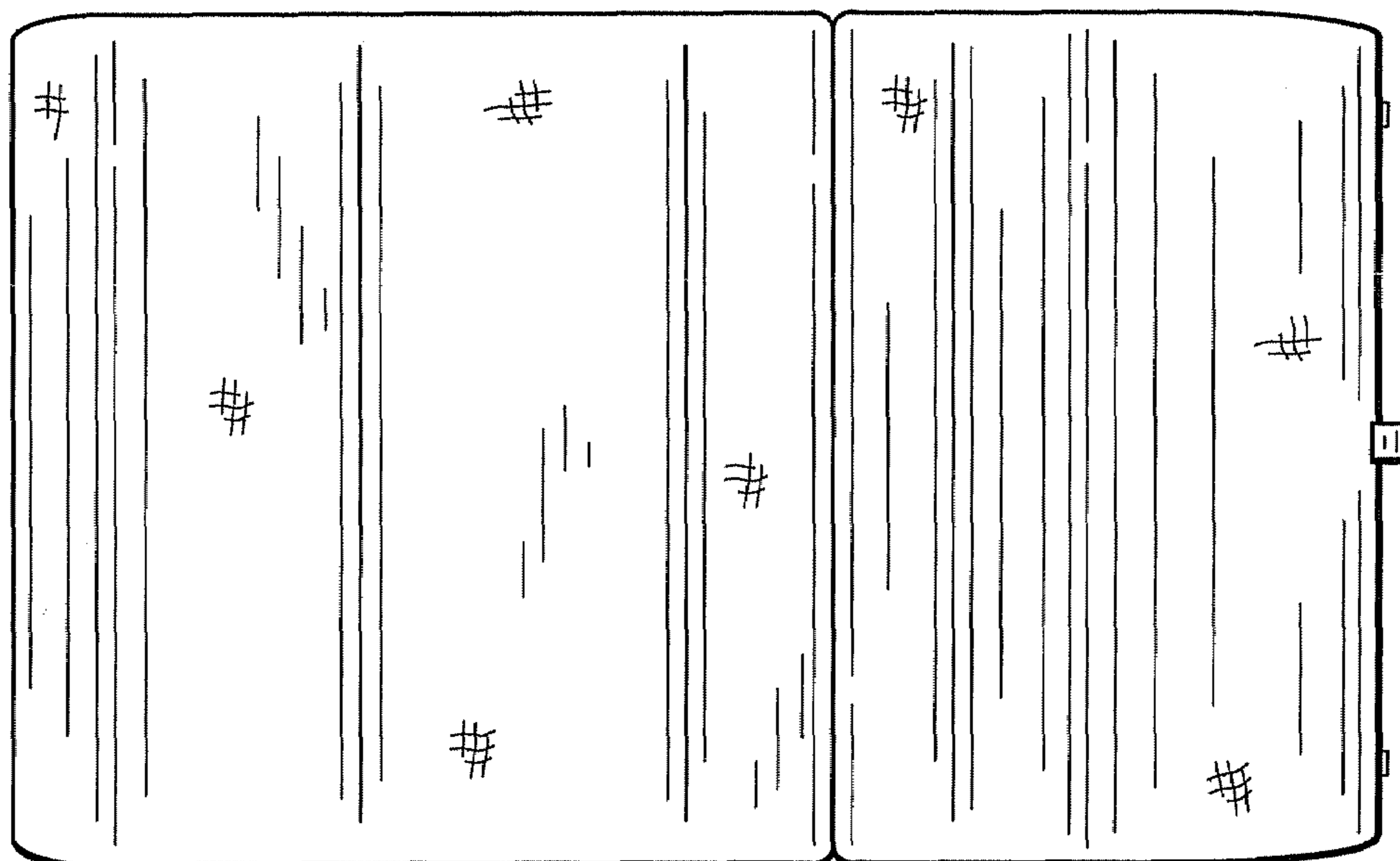


FIG. 7

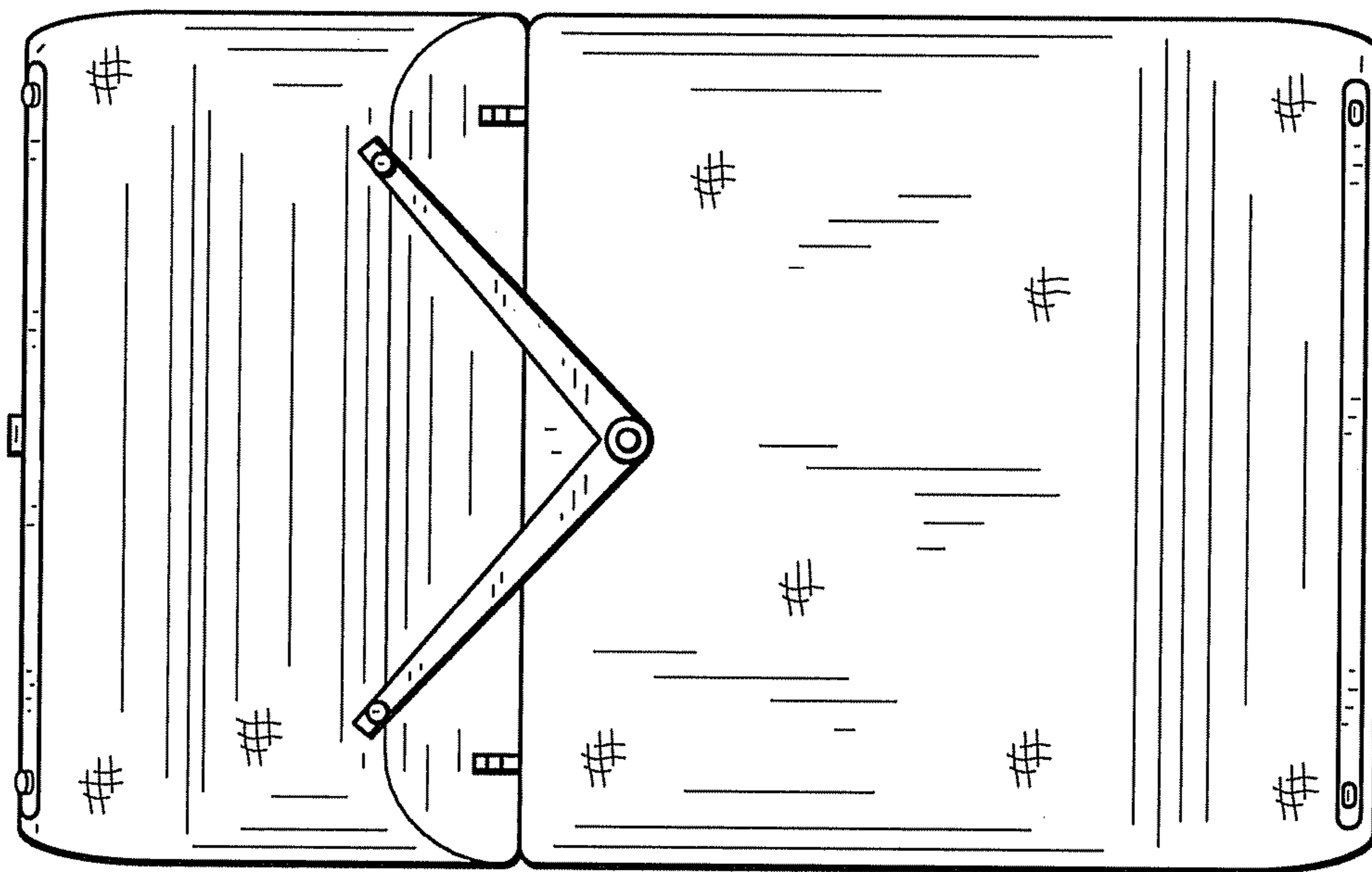


FIG. 8

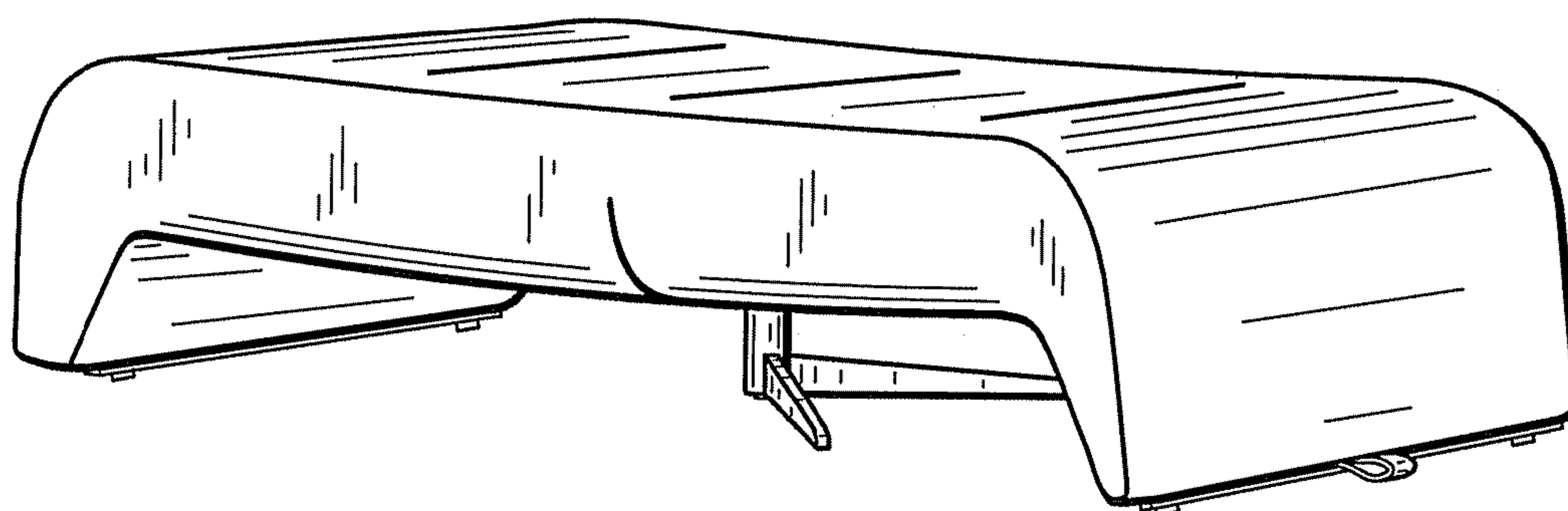


FIG. 9

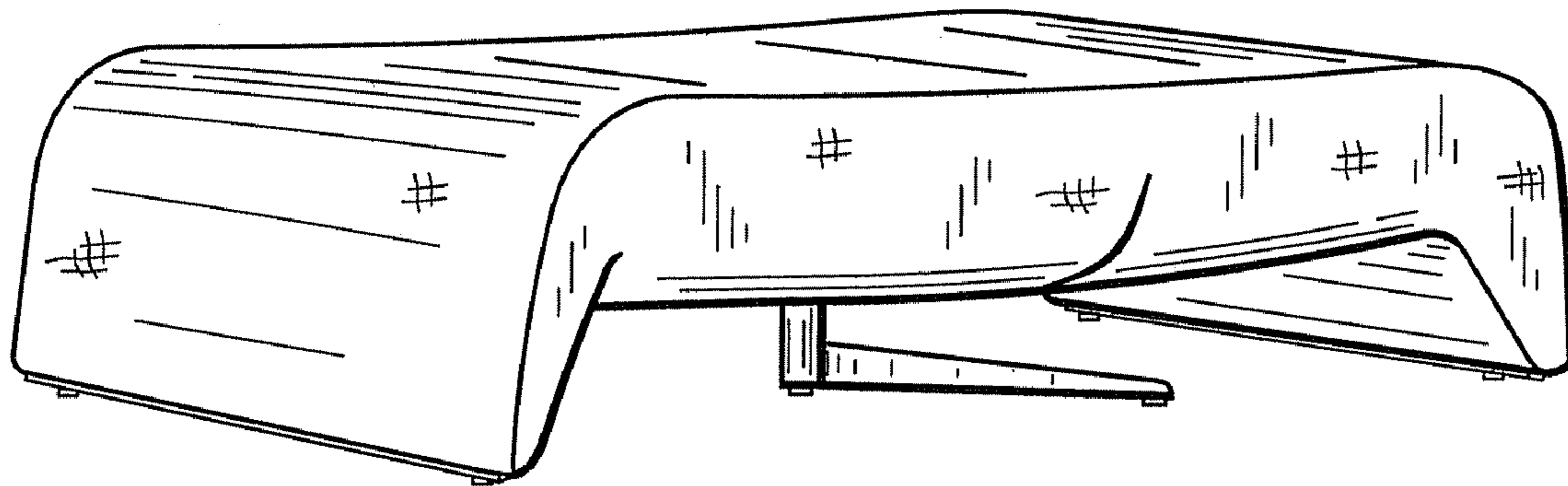


FIG. 10

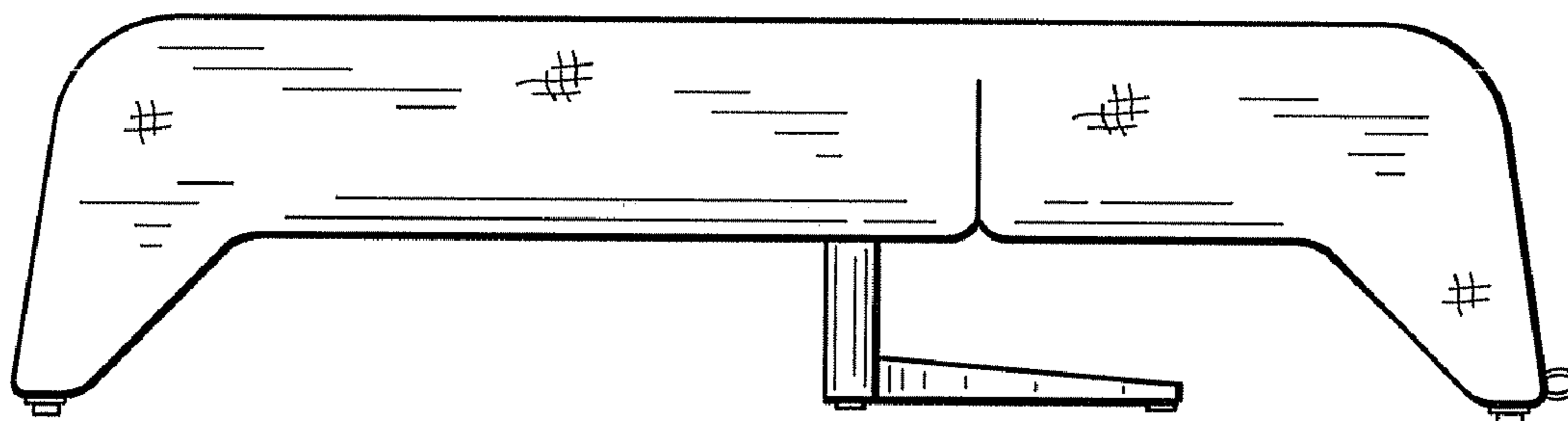


FIG. 11

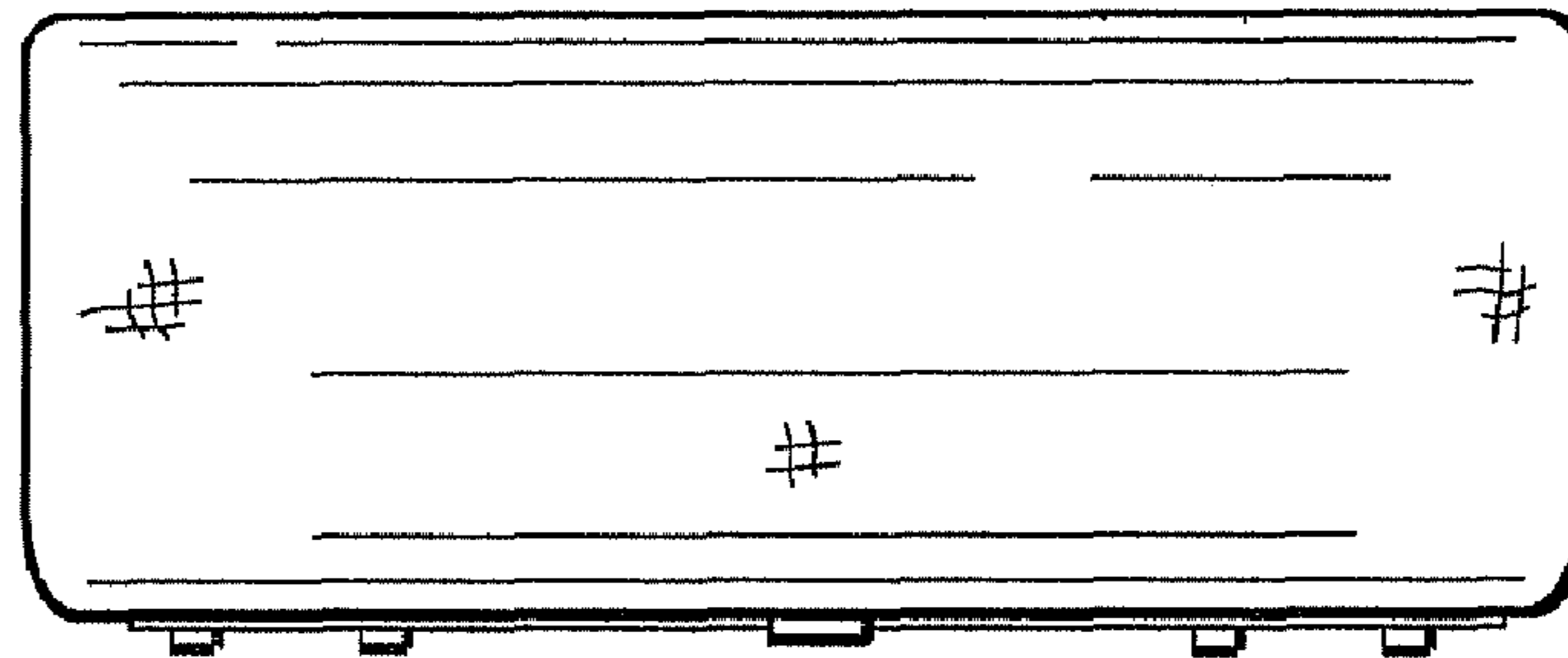


FIG. 12

