



US00D555373S

(12) **United States Design Patent**
Wu et al.

(10) **Patent No.:** **US D555,373 S**

(45) **Date of Patent:** **** Nov. 20, 2007**

(54) **BABY SWING**

(75) Inventors: **Tse-Chien Wu**, Kaohsiung (TW);
Ho-Sheng Chen, Chiai County (TW);
Hui-Ju Sun, Taichung County (TW);
Yi-Chen Chen, Chuayi (TW)

(73) Assignee: **Link Treasure Limited**, Road Town,
Tortola (VG)

(**) Term: **14 Years**

(21) Appl. No.: **29/259,542**

(22) Filed: **May 11, 2006**

(30) **Foreign Application Priority Data**

Nov. 14, 2005 (TW) 94306866

(51) **LOC (8) Cl.** **06-01**

(52) **U.S. Cl.** **D6/344**

(58) **Field of Classification Search** D6/347,
D6/344, 334, 335, 346, 374, 379, 381, 375,
D6/370, 500, 501, 502; D21/814, 823; 297/273,
297/277, 259.3, 280, 281, 452.63; 472/125;
5/101

See application file for complete search history.

(56) **References Cited**

U.S. PATENT DOCUMENTS

D248,518 S * 7/1978 Huff D6/347
D250,861 S * 1/1979 Boudreau et al. D6/347
D264,148 S * 5/1982 Gebhard D6/335

D296,739 S * 7/1988 Quinlan et al. D6/491
D351,289 S * 10/1994 Stephens et al. D6/344
D382,412 S * 8/1997 Liu D6/347
D392,126 S * 3/1998 Sack D6/491
D440,778 S * 4/2001 Wang D6/347
D477,719 S * 7/2003 Chaudeurge D6/347
D486,965 S * 2/2004 Hsia D6/347
D499,563 S * 12/2004 McCune et al. D6/347

* cited by examiner

Primary Examiner—Robert M. Spear

Assistant Examiner—Abraham Bahta

(74) *Attorney, Agent, or Firm*—Birch, Stewart, Kolasch &
Birch, LLP

(57) **CLAIM**

The ornamental design for baby swing, as shown and
described.

DESCRIPTION

FIG. 1 is a front, right perspective view of baby swing
showing our new design;

FIG. 2 is a front elevational view thereof;

FIG. 3 is a rear elevational view thereof;

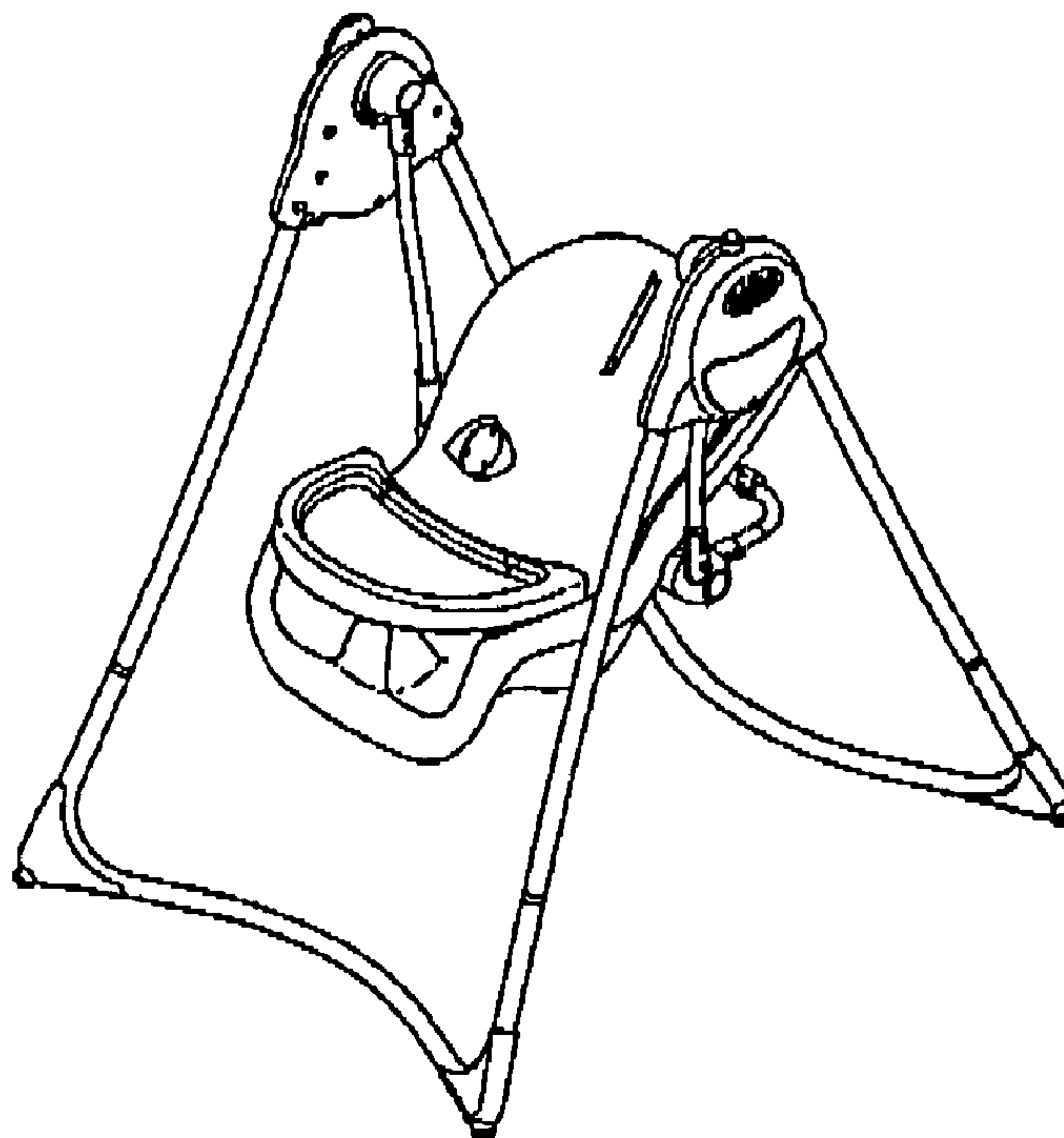
FIG. 4 is a left side view thereof;

FIG. 5 is a right side view thereof;

FIG. 6 is a top plan view thereof; and,

FIG. 7 is a bottom plan view thereof.

1 Claim, 4 Drawing Sheets



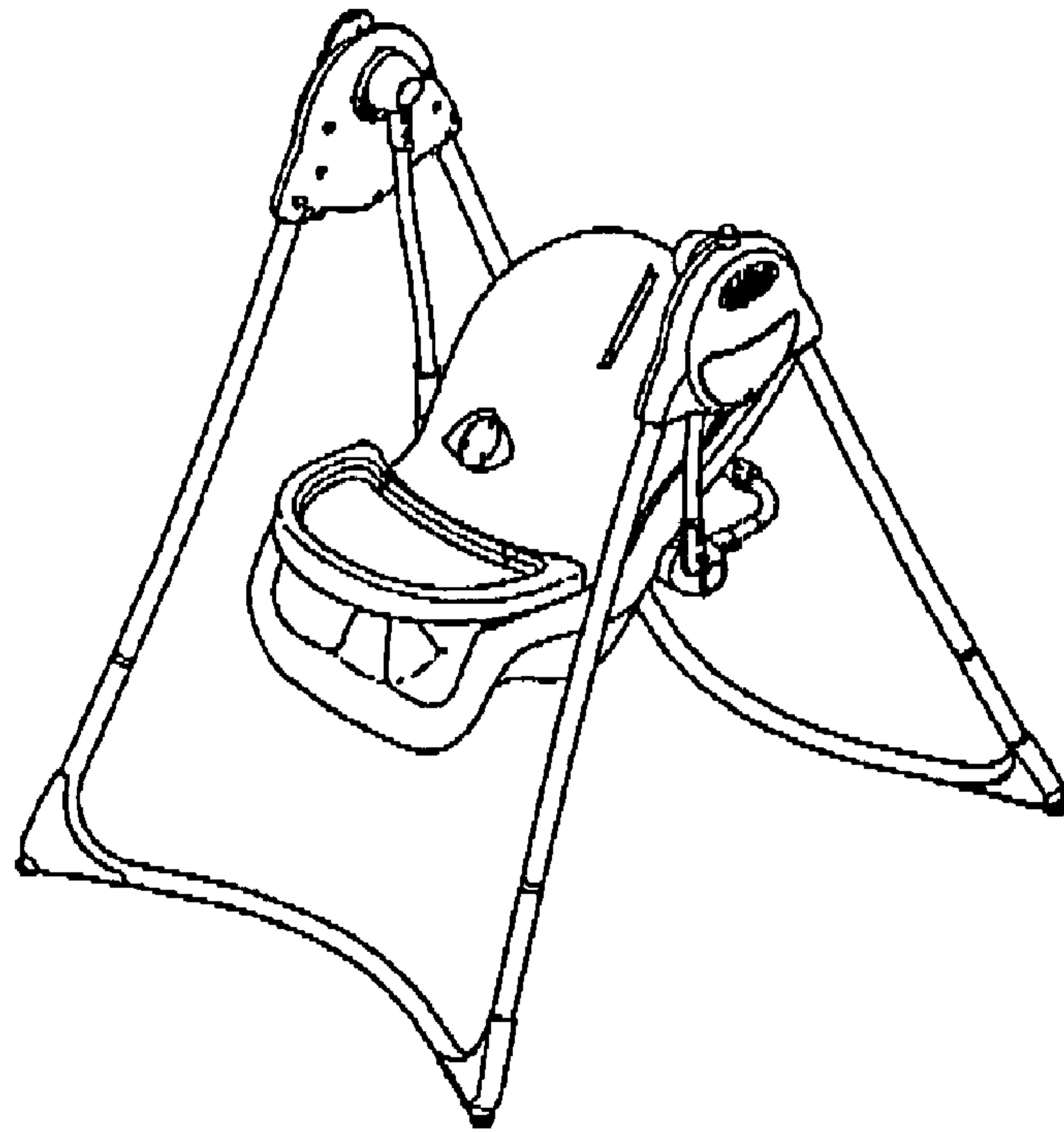


FIG. 1

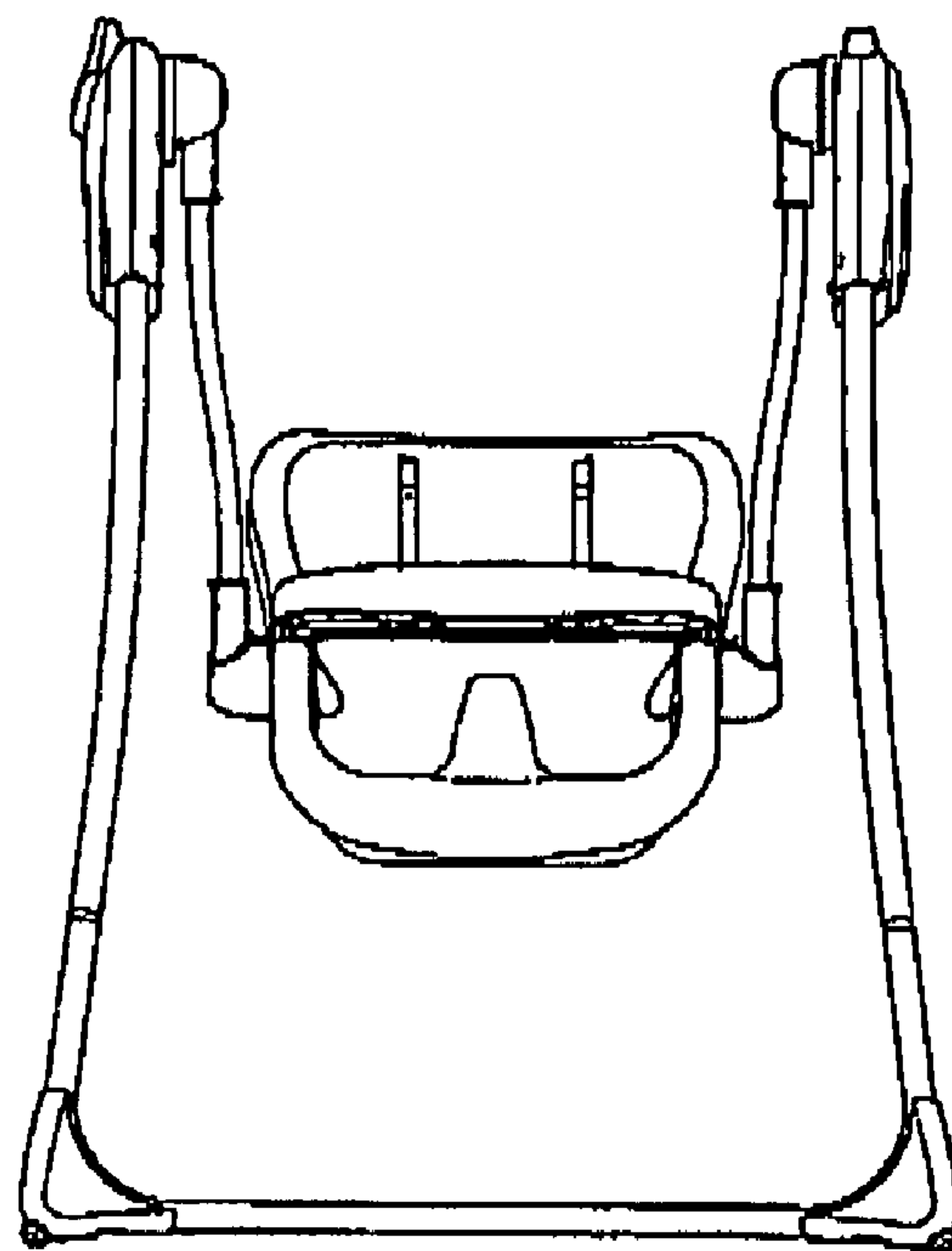


FIG. 2

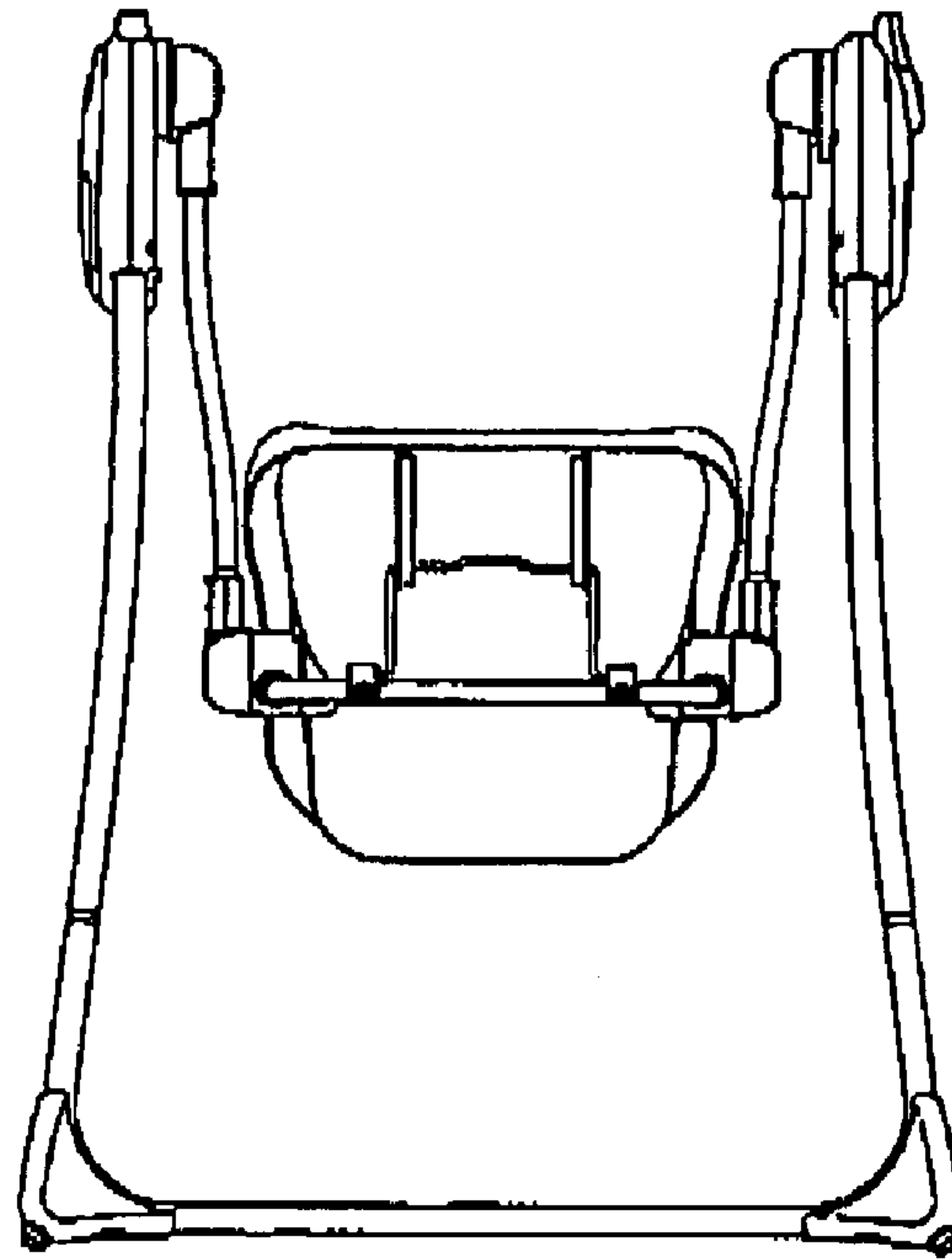


FIG. 3

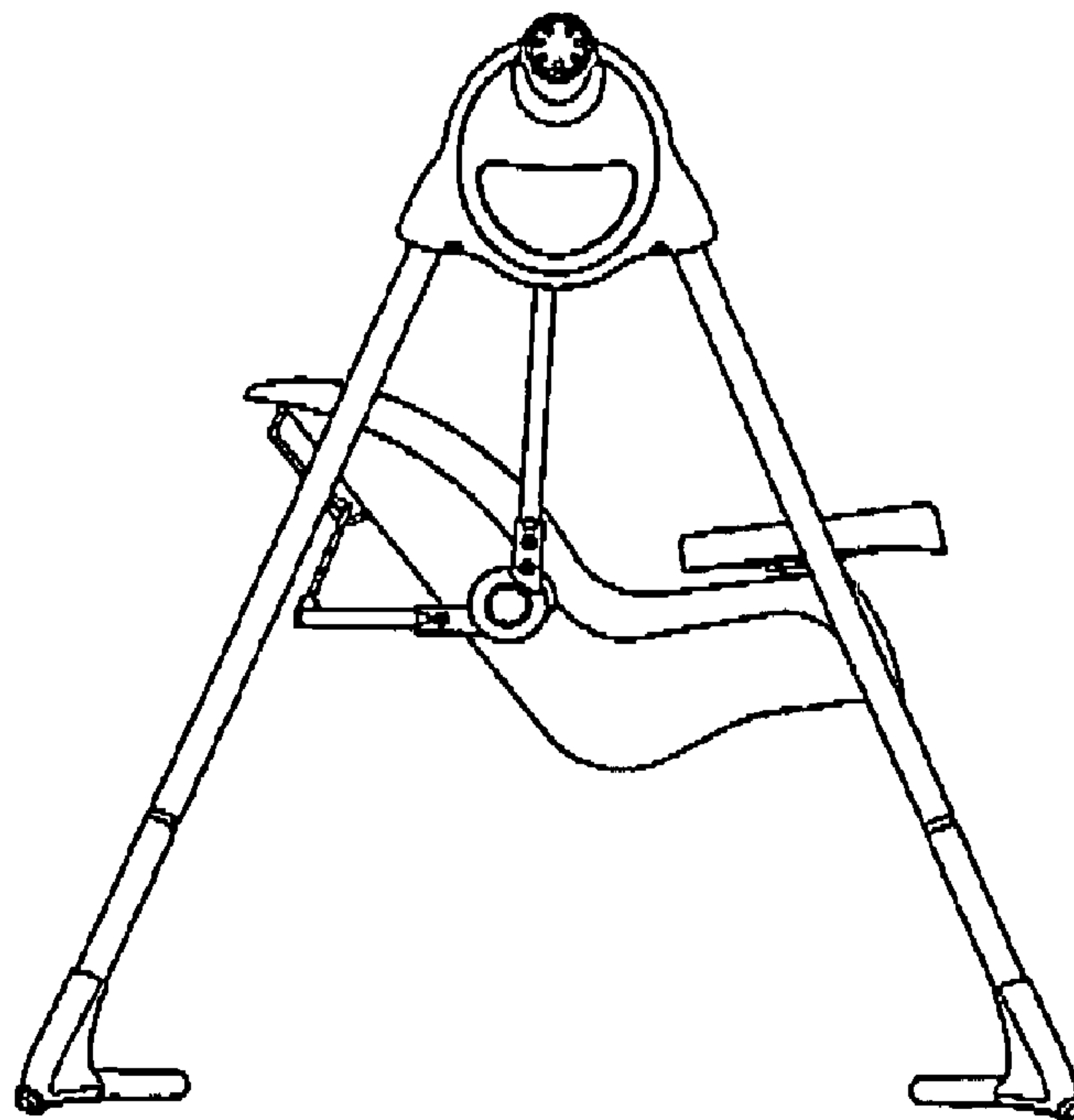


FIG. 4

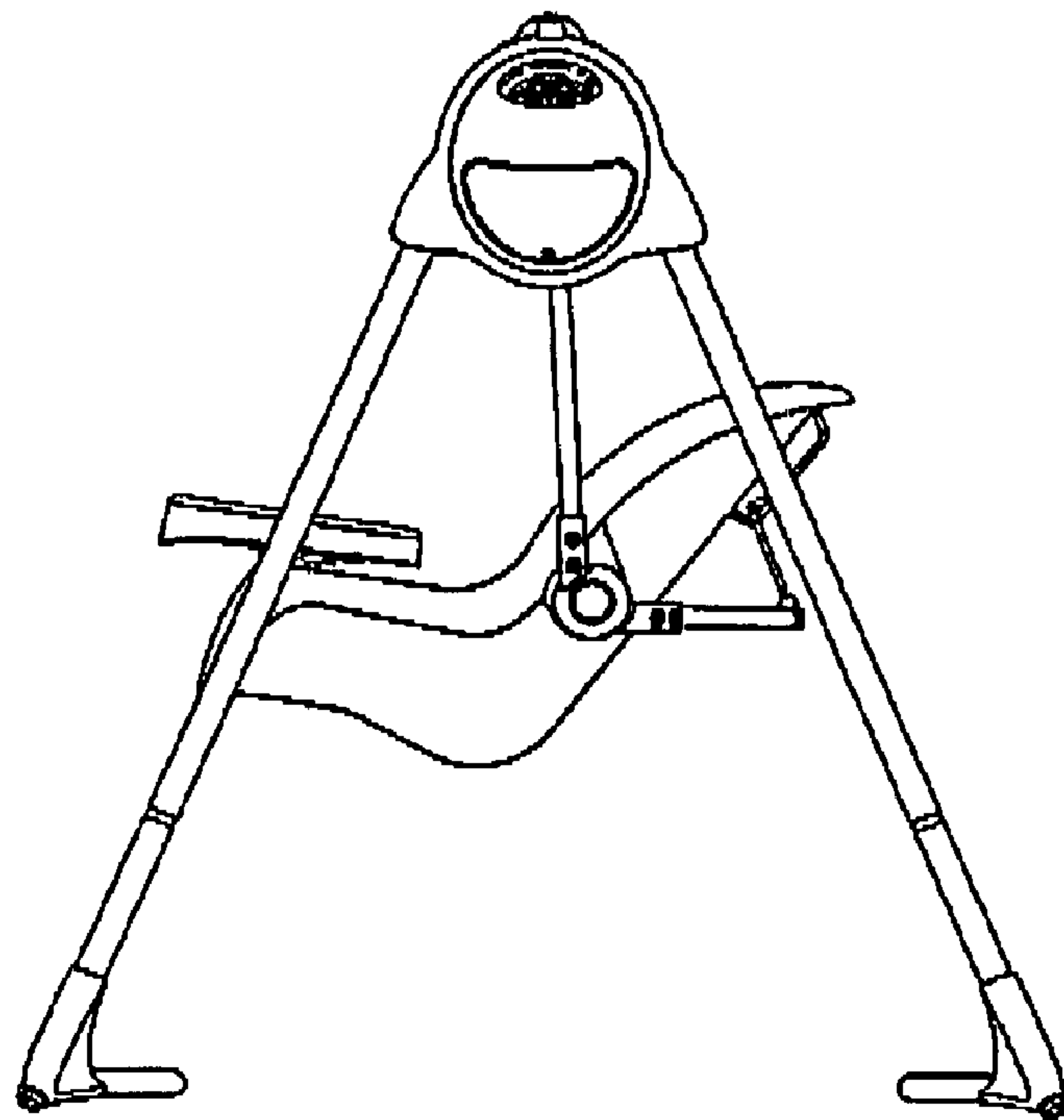


FIG. 5

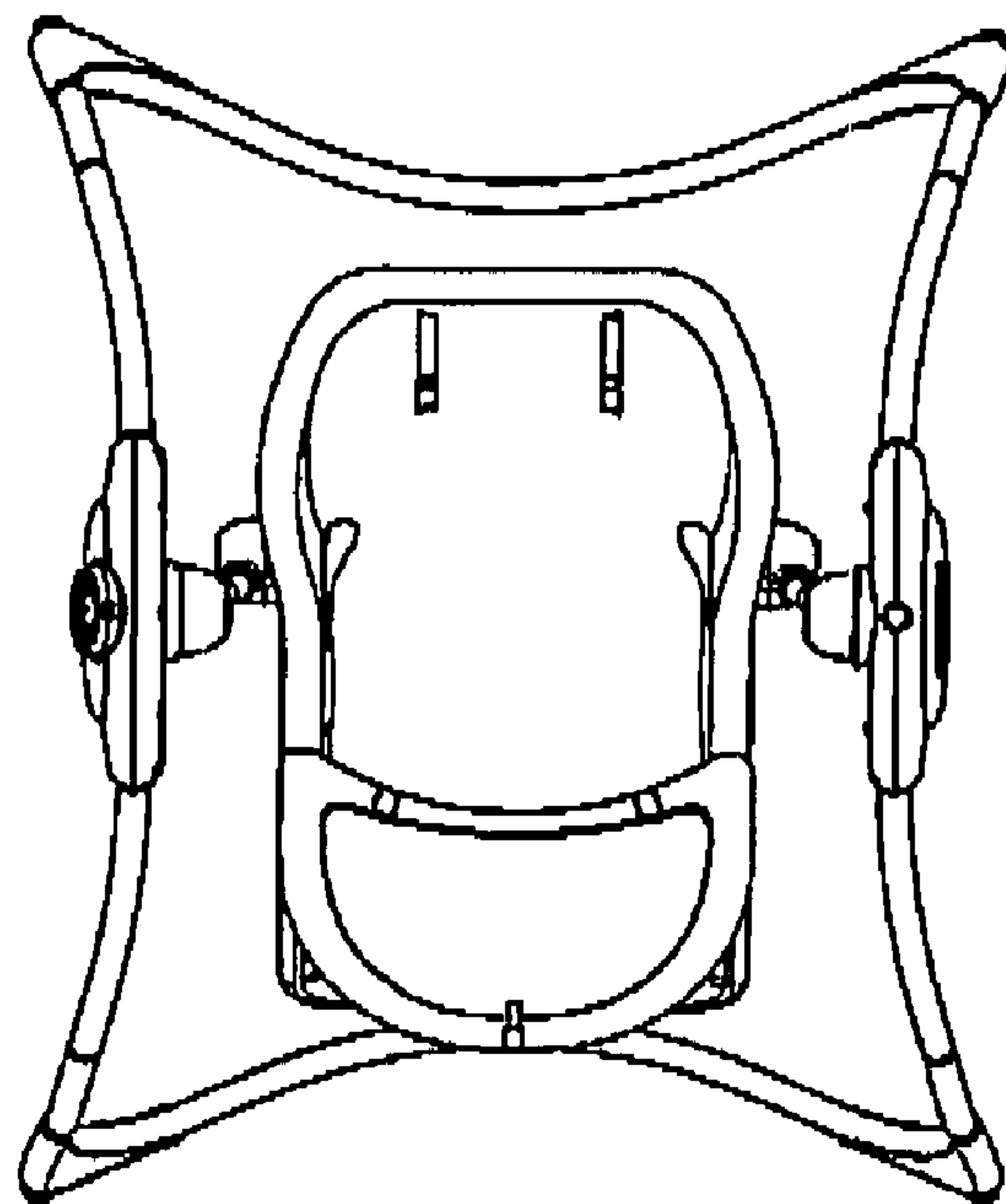


FIG. 6

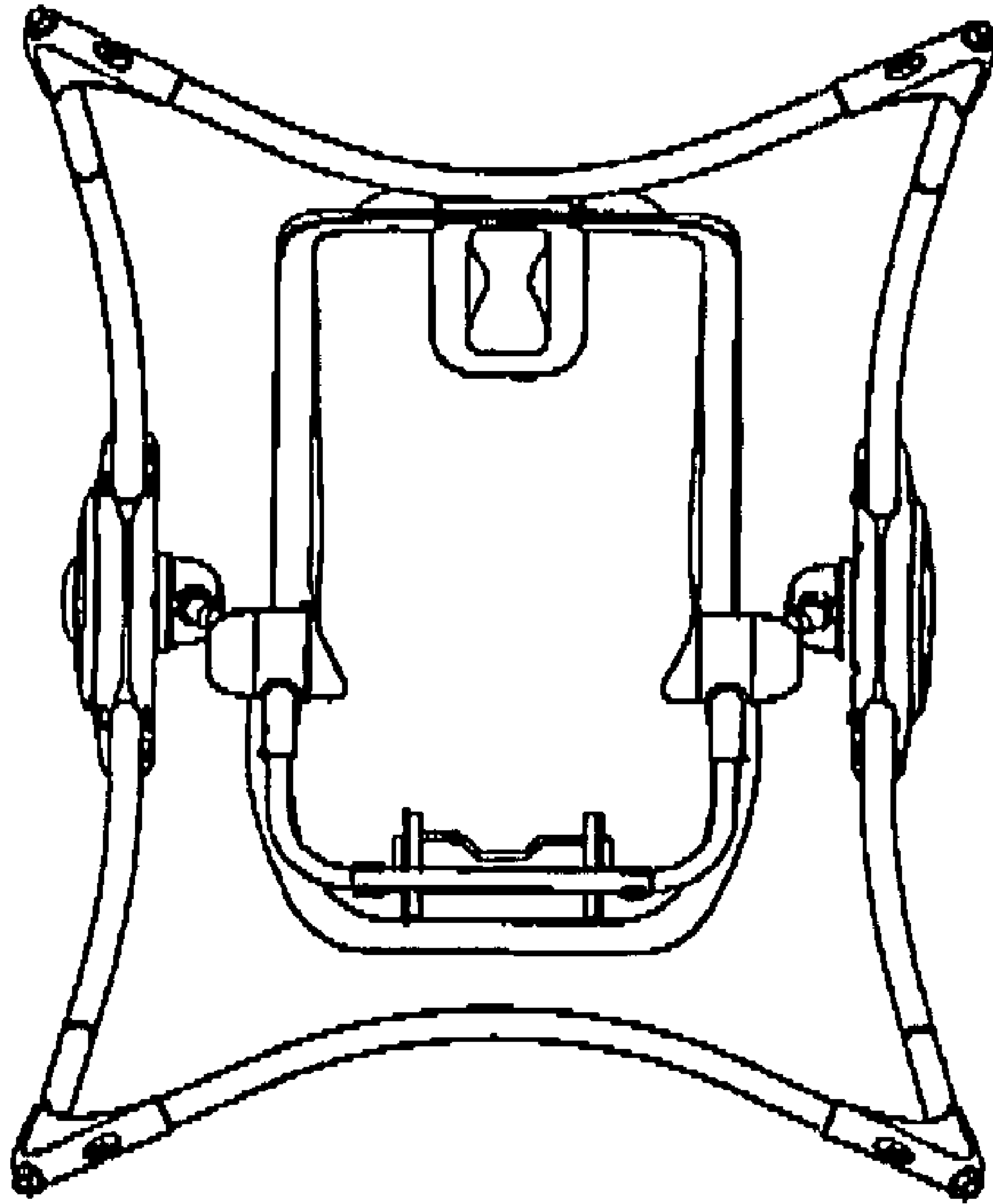


FIG. 7