



US00D555370S

(12) **United States Design Patent**
Miyakawa

(10) **Patent No.:** **US D555,370 S**
(45) **Date of Patent:** **** Nov. 20, 2007**

(54) **FOLDABLE CHAIR/TABLE**

(76) Inventor: **Takeshi Miyakawa**, 63 N. 3rd St.,
Brooklyn, NY (US) 11211

(**) Term: **14 Years**

(21) Appl. No.: **29/273,522**

(22) Filed: **Mar. 7, 2007**

(51) **LOC (8) Cl.** **06-01**

(52) **U.S. Cl.** **D6/335**

(58) **Field of Classification Search** D6/333-336,
D6/339-341, 344, 381, 491, 330, 500-502,
D6/354, 375, 349, 480; 297/255; 5/12.1,
5/16.1, 16.2, 655.3

See application file for complete search history.

(56) **References Cited**

U.S. PATENT DOCUMENTS

| | | | | | | |
|-----------|---|---|--------|-------------|-------|------------|
| D143,466 | S | * | 1/1946 | Cowan | | D6/335 |
| D155,023 | S | * | 8/1949 | Michals | | D6/334 |
| D202,103 | S | * | 8/1965 | Papworth | | D6/335 |
| 3,427,074 | A | * | 2/1969 | Whyte | | 297/440.19 |
| D355,772 | S | * | 2/1995 | Chin et al. | | D6/333 |
| D419,313 | S | * | 1/2000 | Gelbart | | D6/334 |
| D447,354 | S | * | 9/2001 | Bluberg | | D6/374 |
| D461,966 | S | * | 8/2002 | Reece | | D6/356 |

* cited by examiner

Primary Examiner—Sandra Snapp

(74) *Attorney, Agent, or Firm*—Day Pitney LLP

(57) **CLAIM**

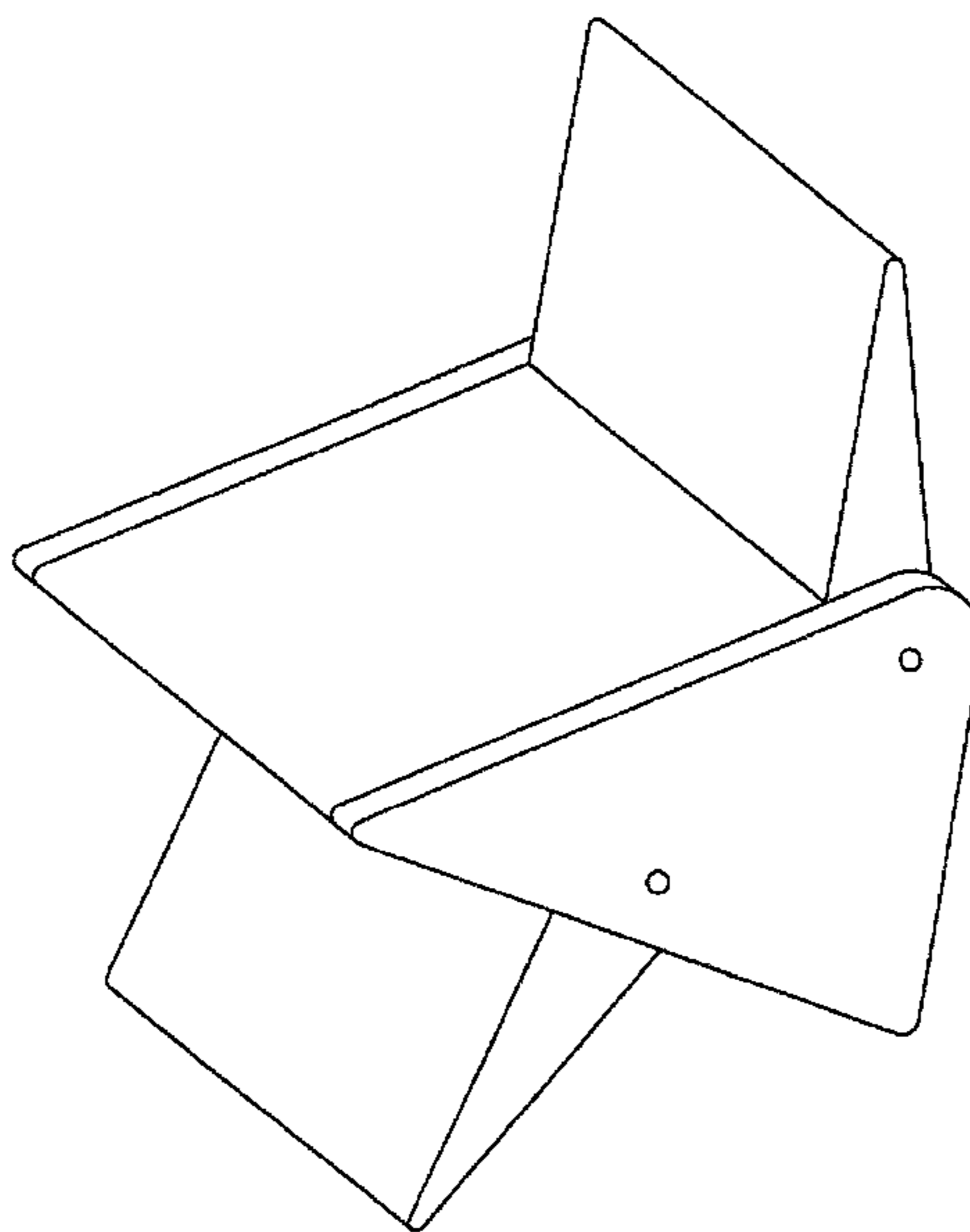
The ornamental design for a foldable chair/table, as shown and described.

DESCRIPTION

FIG. 1 is a front perspective view of the foldable chair/table according to my new design configured as a chair;

FIG. 2 is a rear perspective view thereof;
 FIG. 3 is a front elevational view thereof;
 FIG. 4 is a right-side elevational view thereof, the left-side elevational view being a mirror image of FIG. 4;
 FIG. 5 is a rear elevational view thereof;
 FIG. 6 is a plan view thereof taken from above;
 FIG. 7 is a plan view thereof taken from below;
 FIG. 8 is a front perspective view of the foldable chair/table configured as a table;
 FIG. 9 is a rear perspective view thereof;
 FIG. 10 is a front elevational view thereof;
 FIG. 11 is a right-side elevational view thereof, the left-side elevational view being a mirror image of FIG. 11;
 FIG. 12 is a rear elevational view thereof;
 FIG. 13 is a plan view thereof taken from above;
 FIG. 14 is a plan view thereof taken from below;
 FIG. 15 is a front perspective view of the foldable chair/table in a folded condition;
 FIG. 16 is a rear perspective view thereof;
 FIG. 17 is a front elevational view thereof;
 FIG. 18 is a right-side elevational view thereof, the left-side elevational view being a mirror image of FIG. 18;
 FIG. 19 is a rear elevational view thereof, this view being identical to that shown in FIG. 12;
 FIG. 20 is a plan view thereof taken from above, the view being identical to that shown in FIG. 13;
 FIG. 21 is a plan view thereof taken from below; and,
 FIG. 22 is a rear perspective view thereof taken from below.

1 Claim, 22 Drawing Sheets



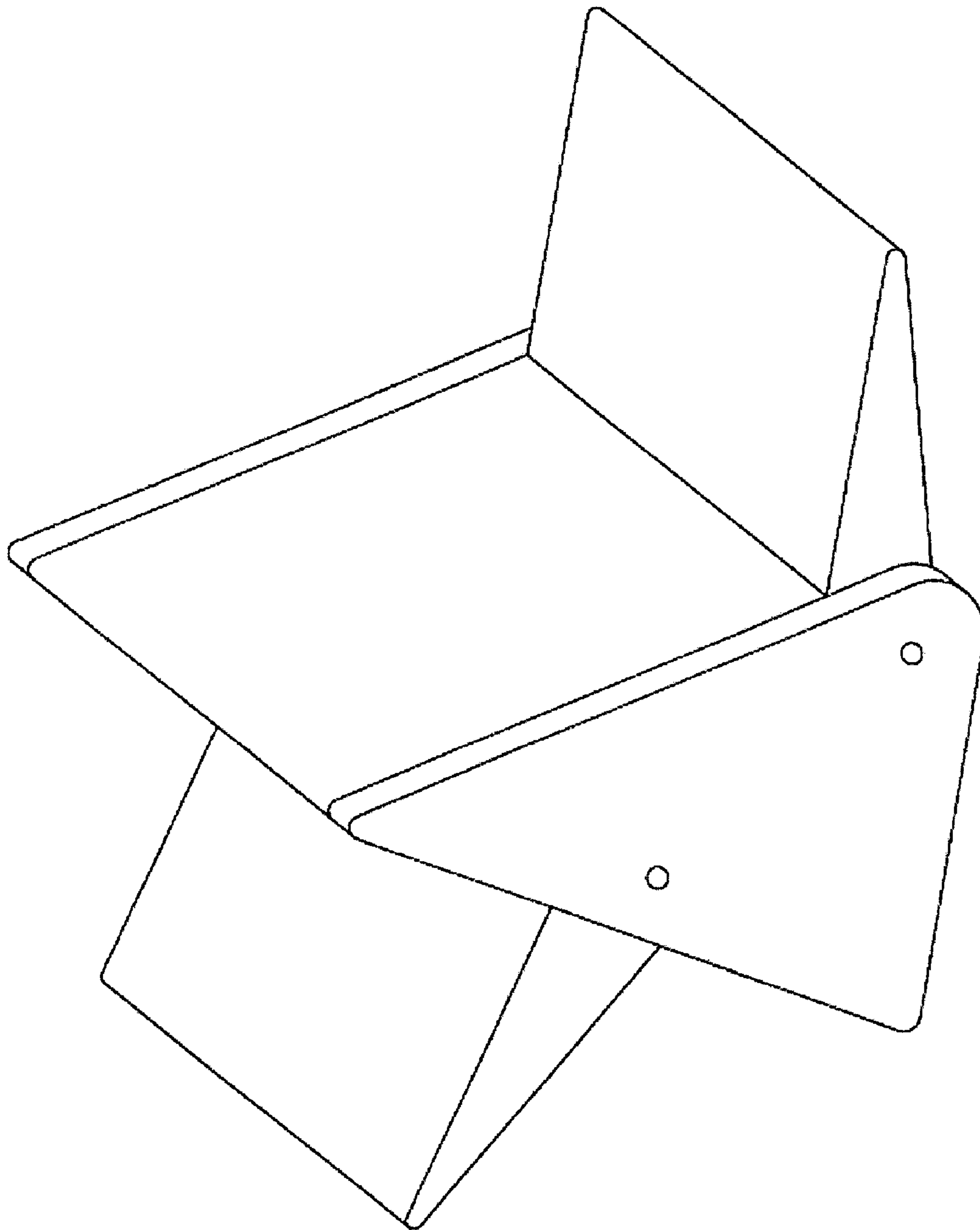


FIG. 1

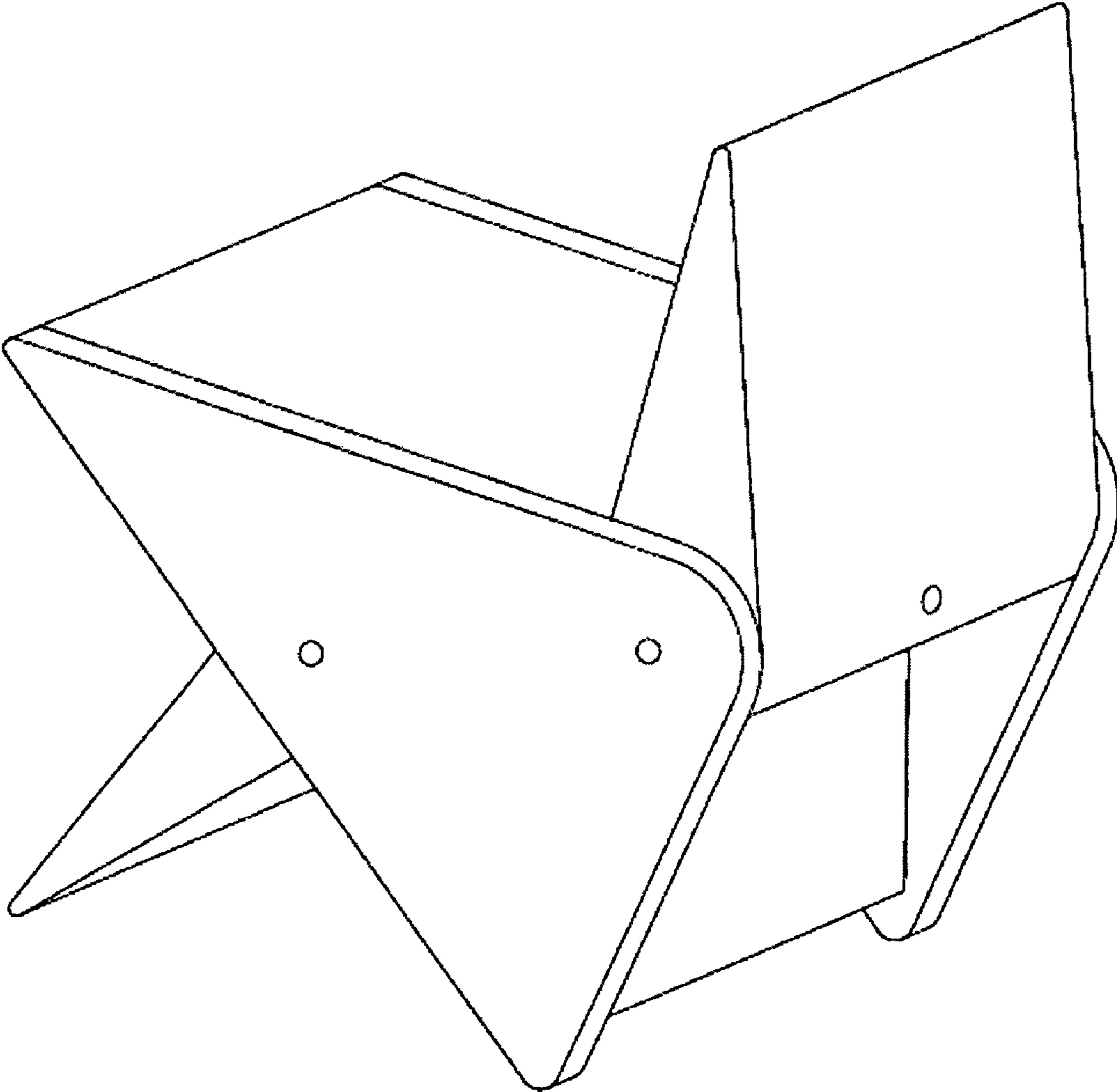


FIG. 2

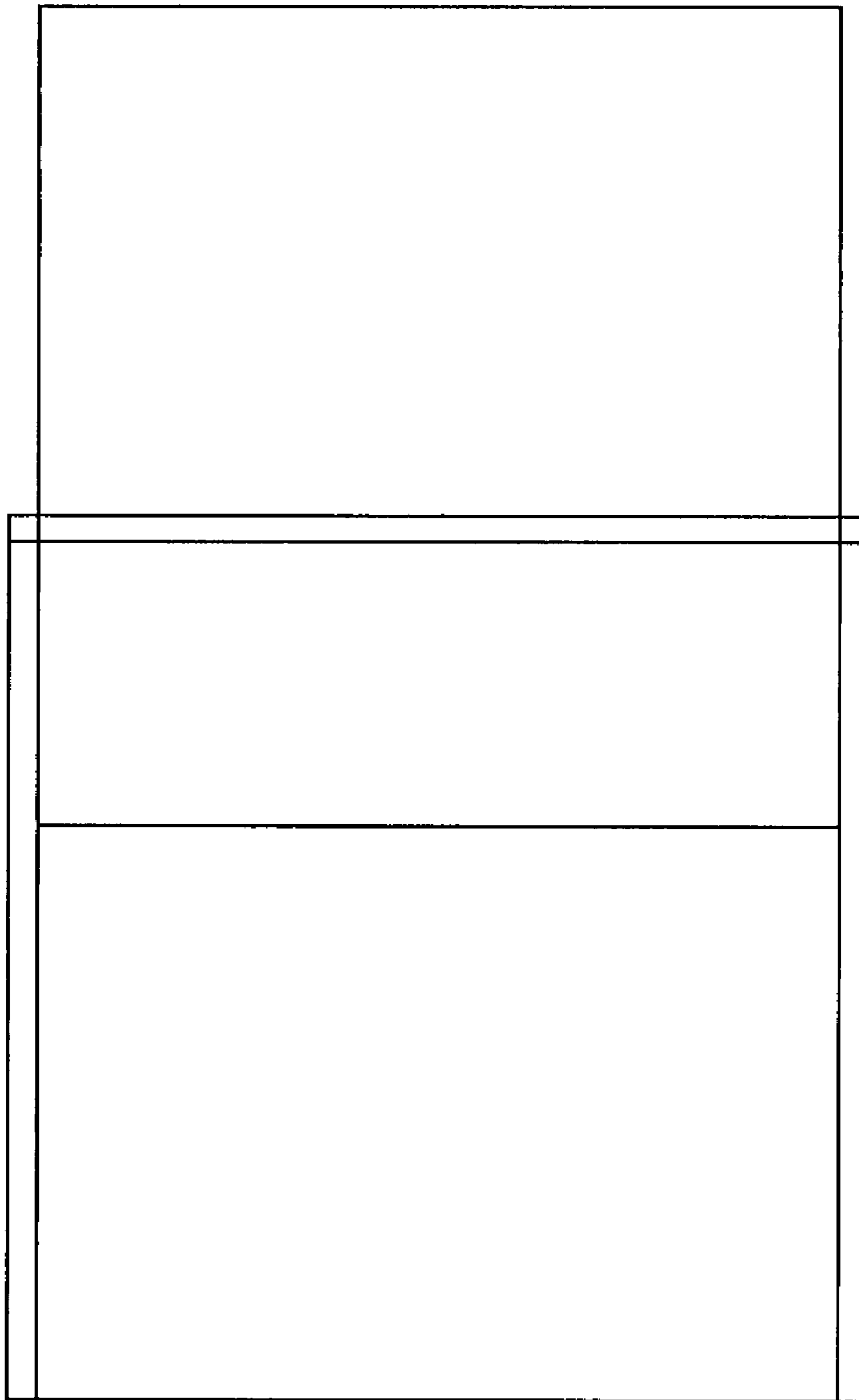


FIG. 3

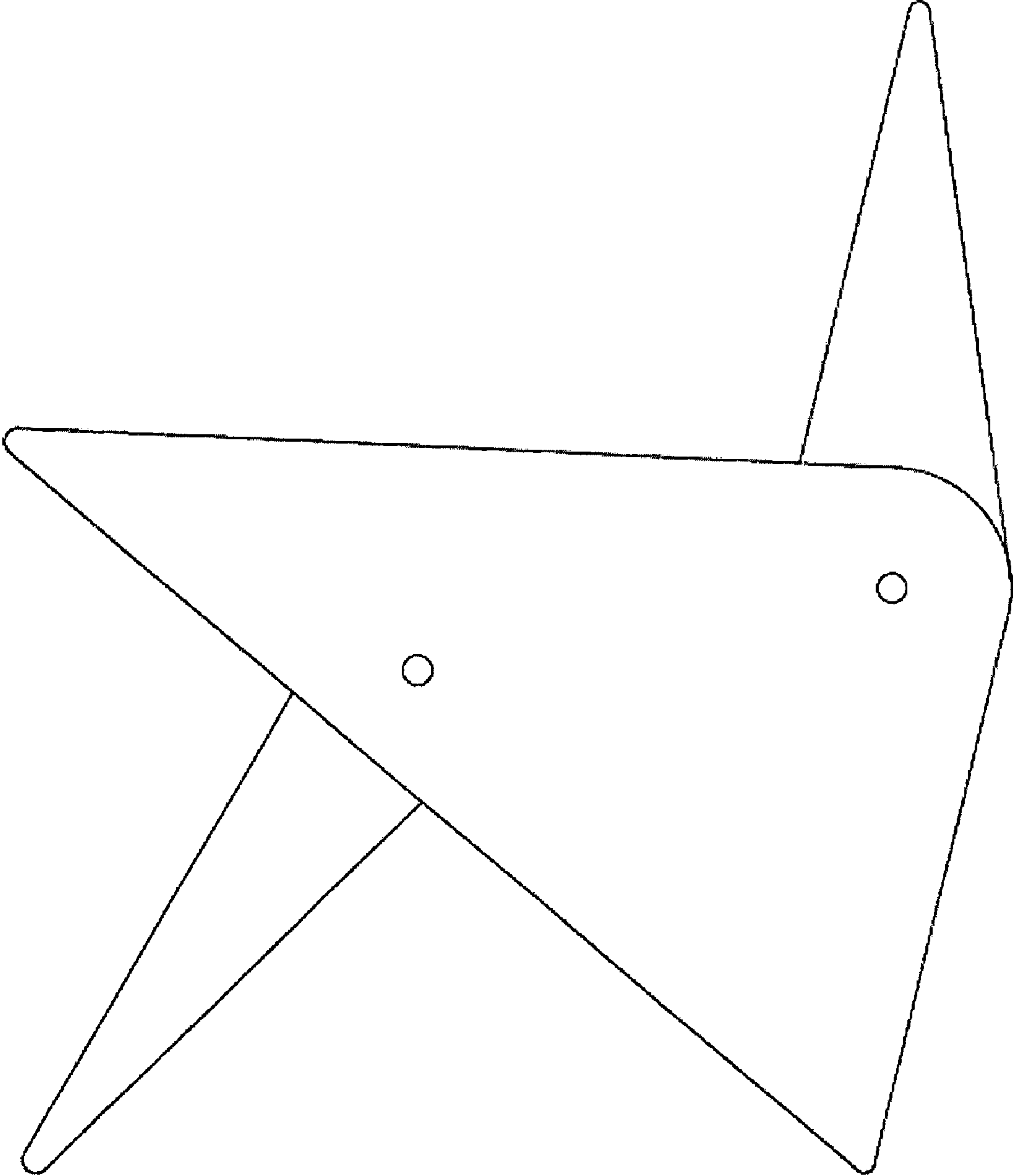


FIG. 4

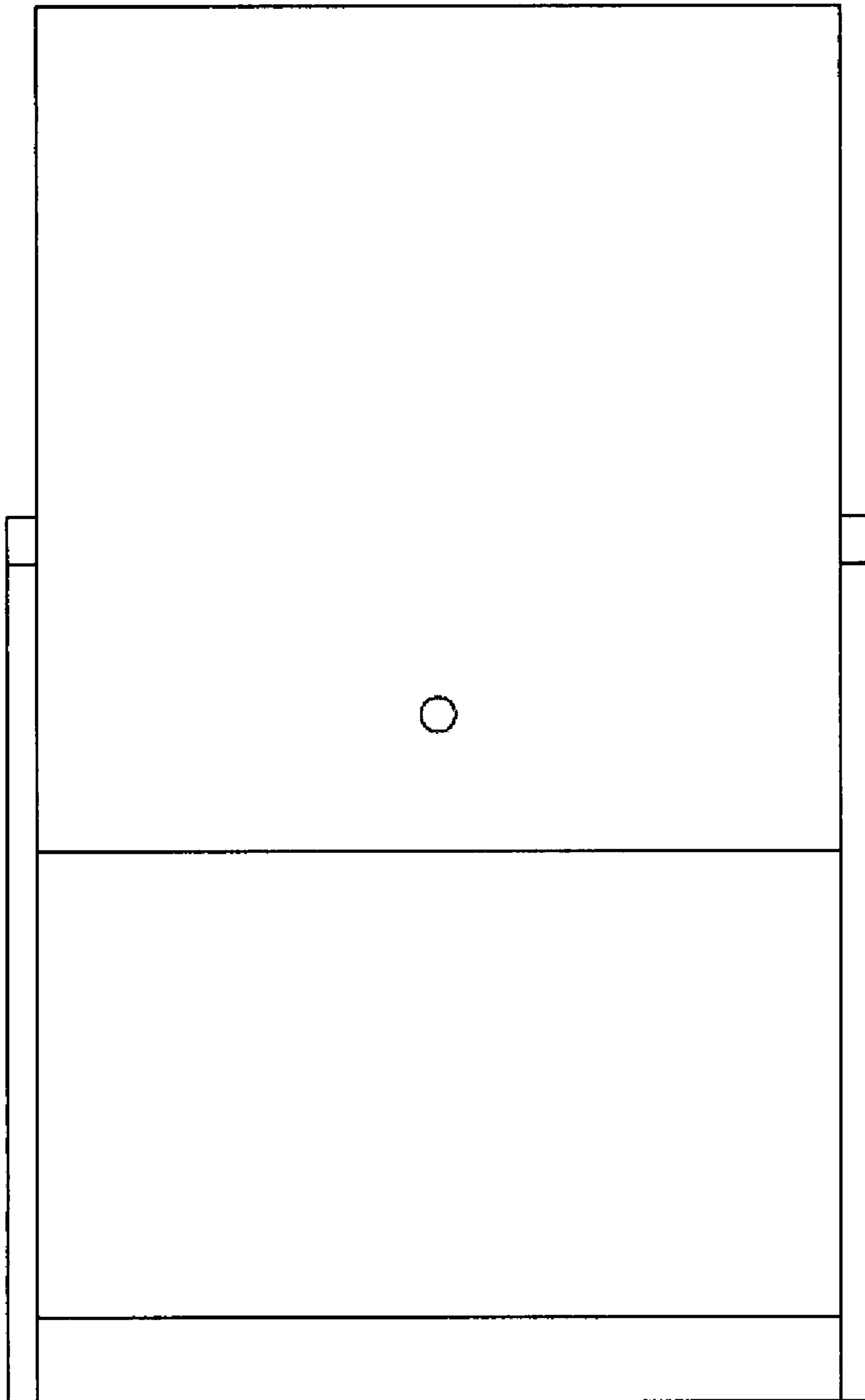


FIG. 5

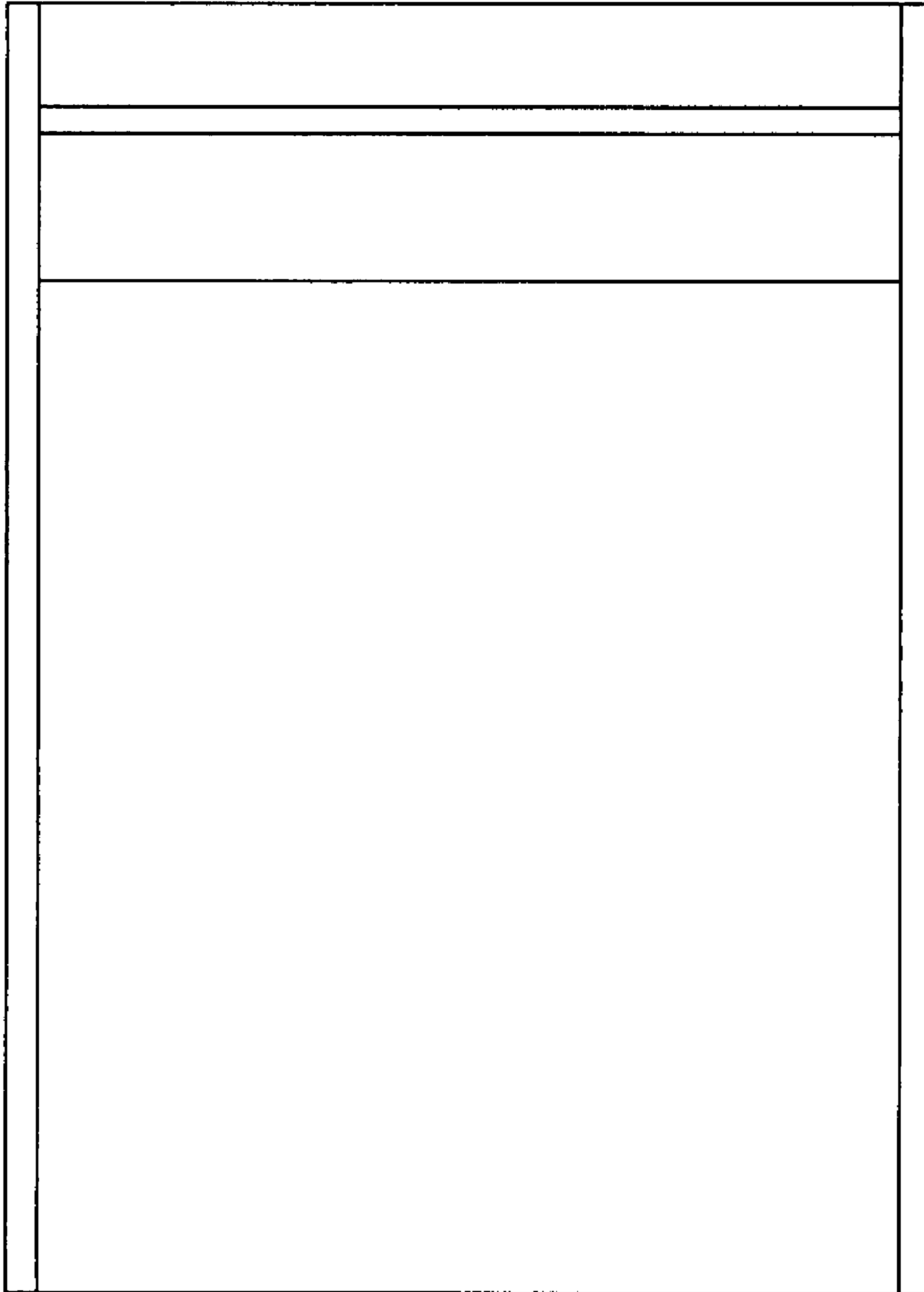


FIG. 6

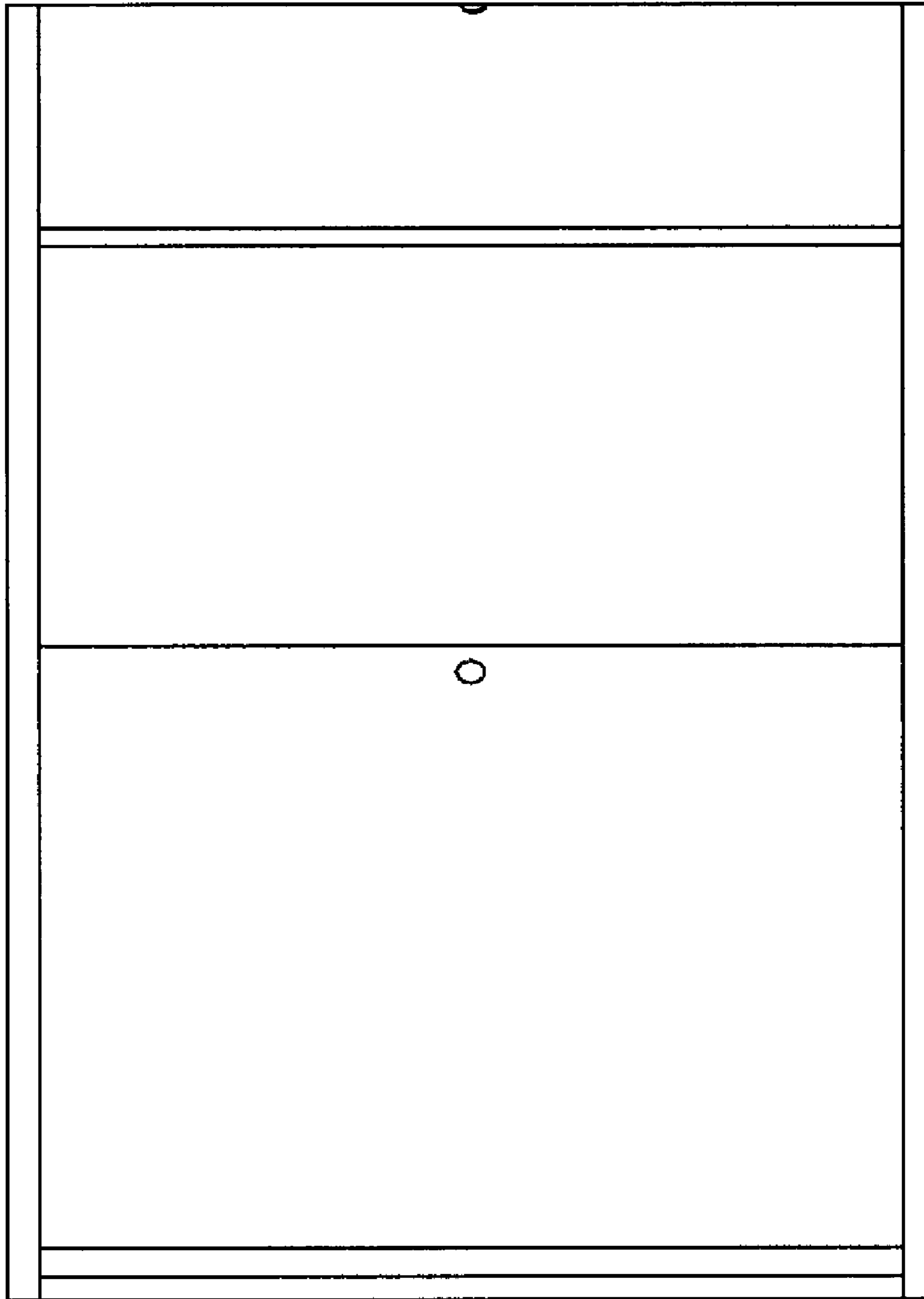


FIG. 7

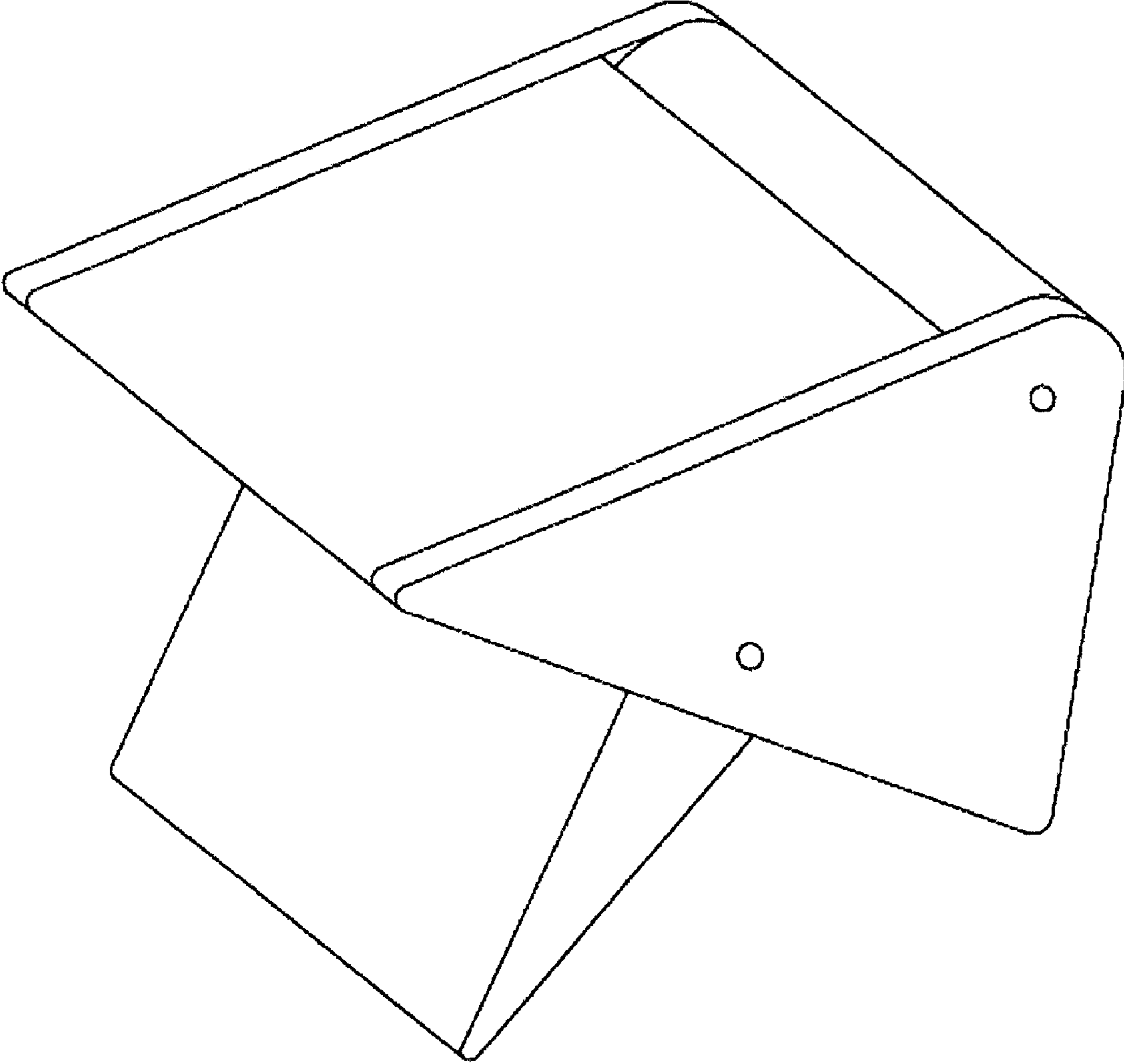


FIG. 8

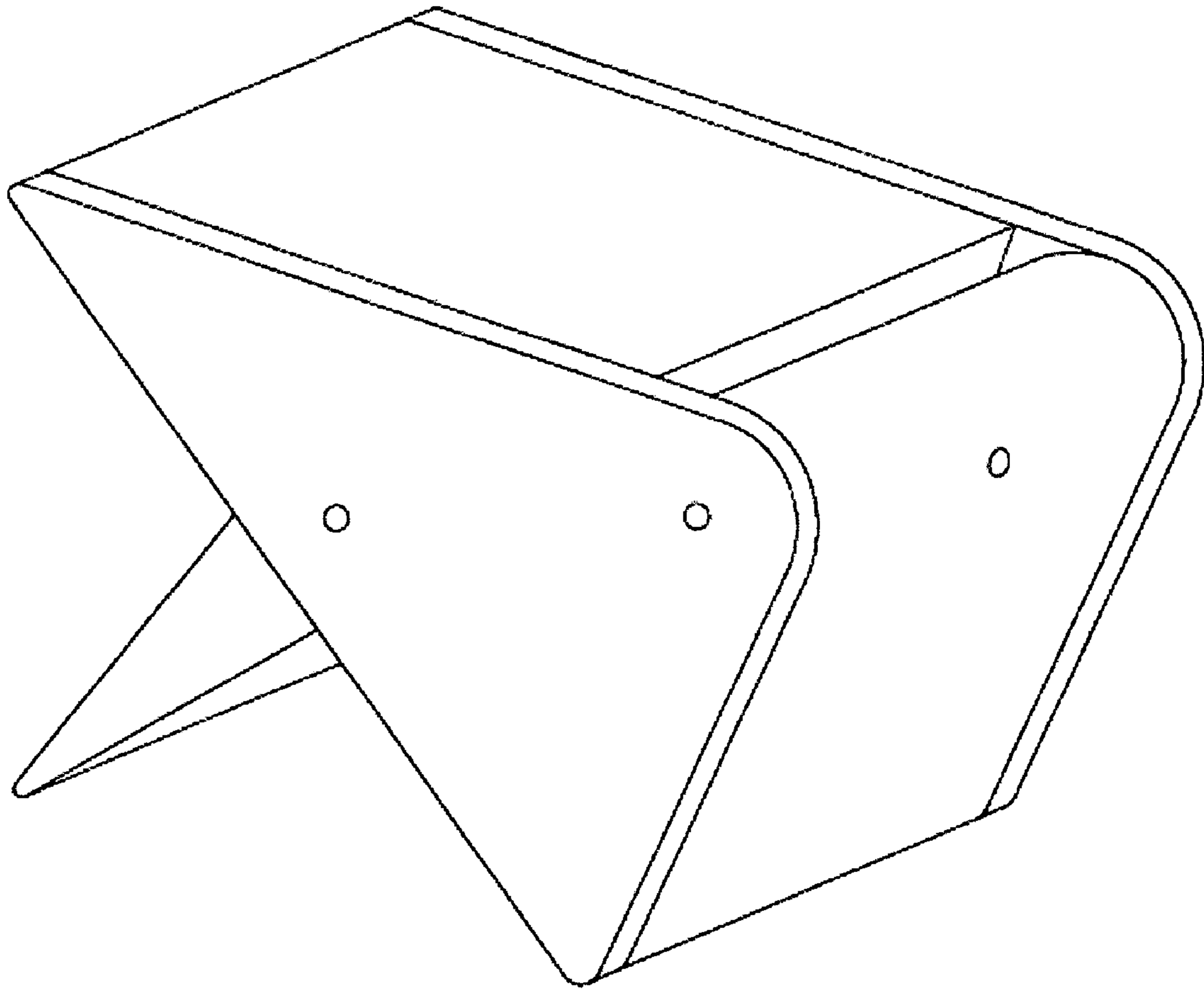


FIG. 9

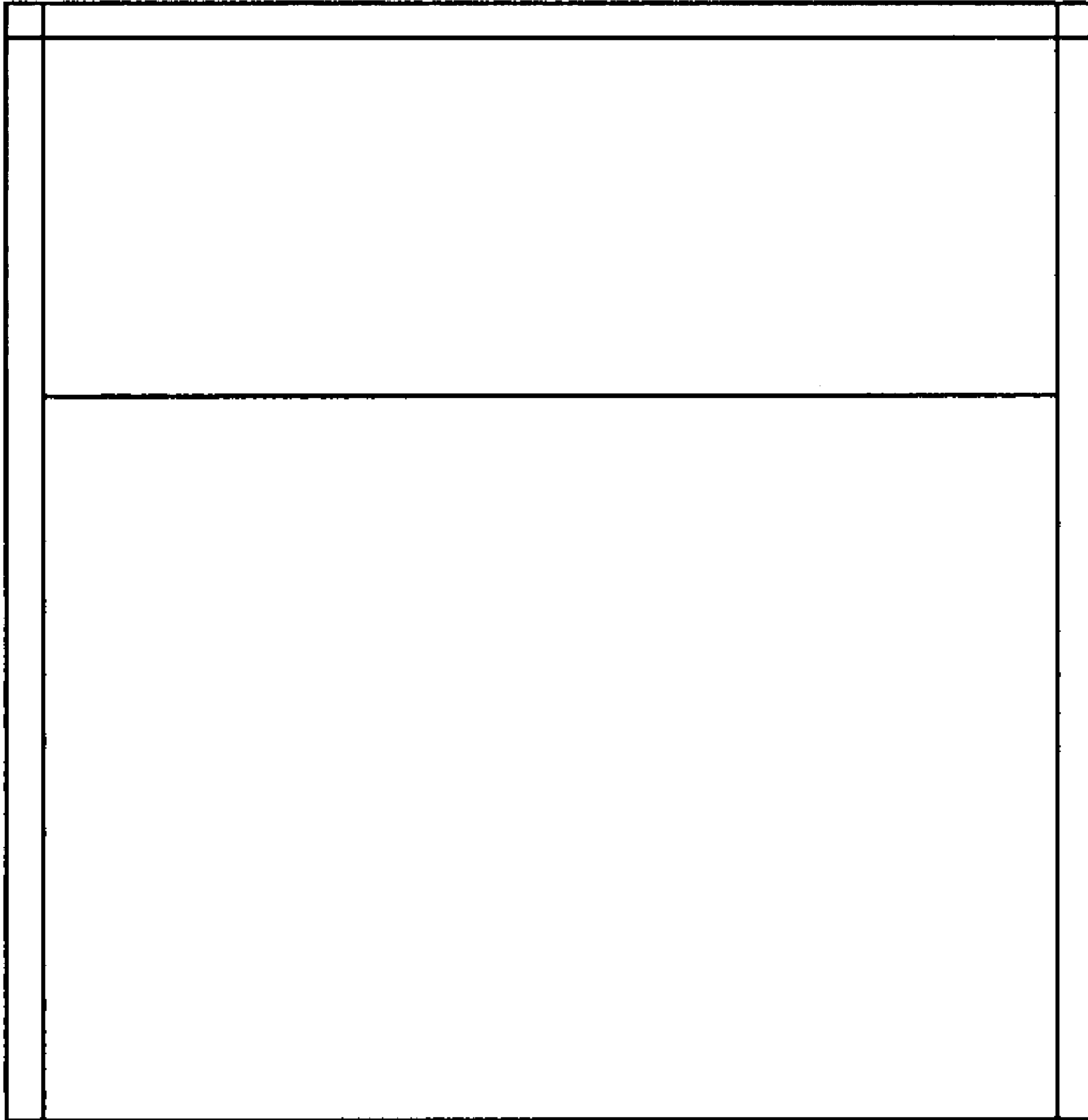


FIG. 10

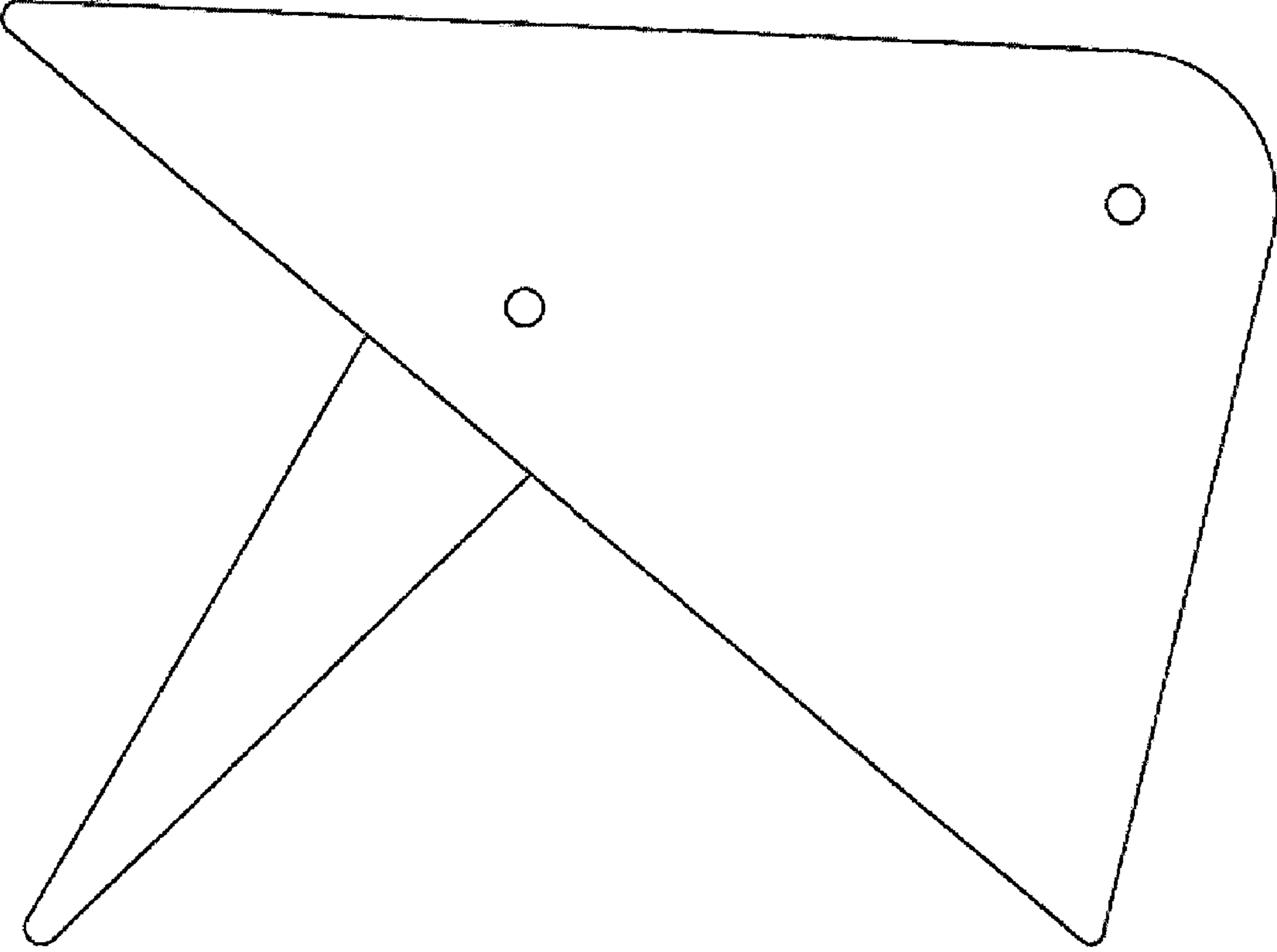


FIG. 11

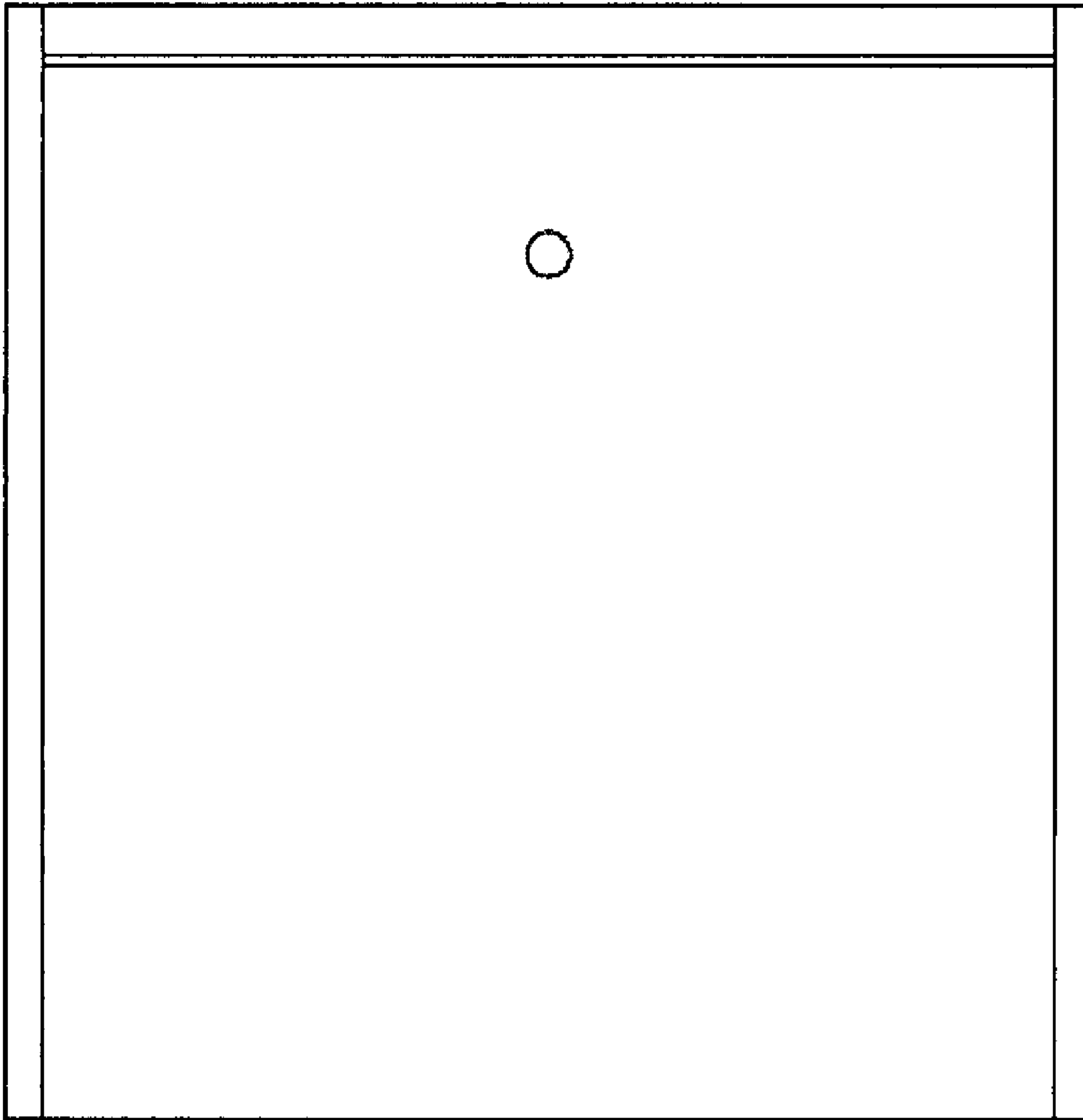


FIG. 12

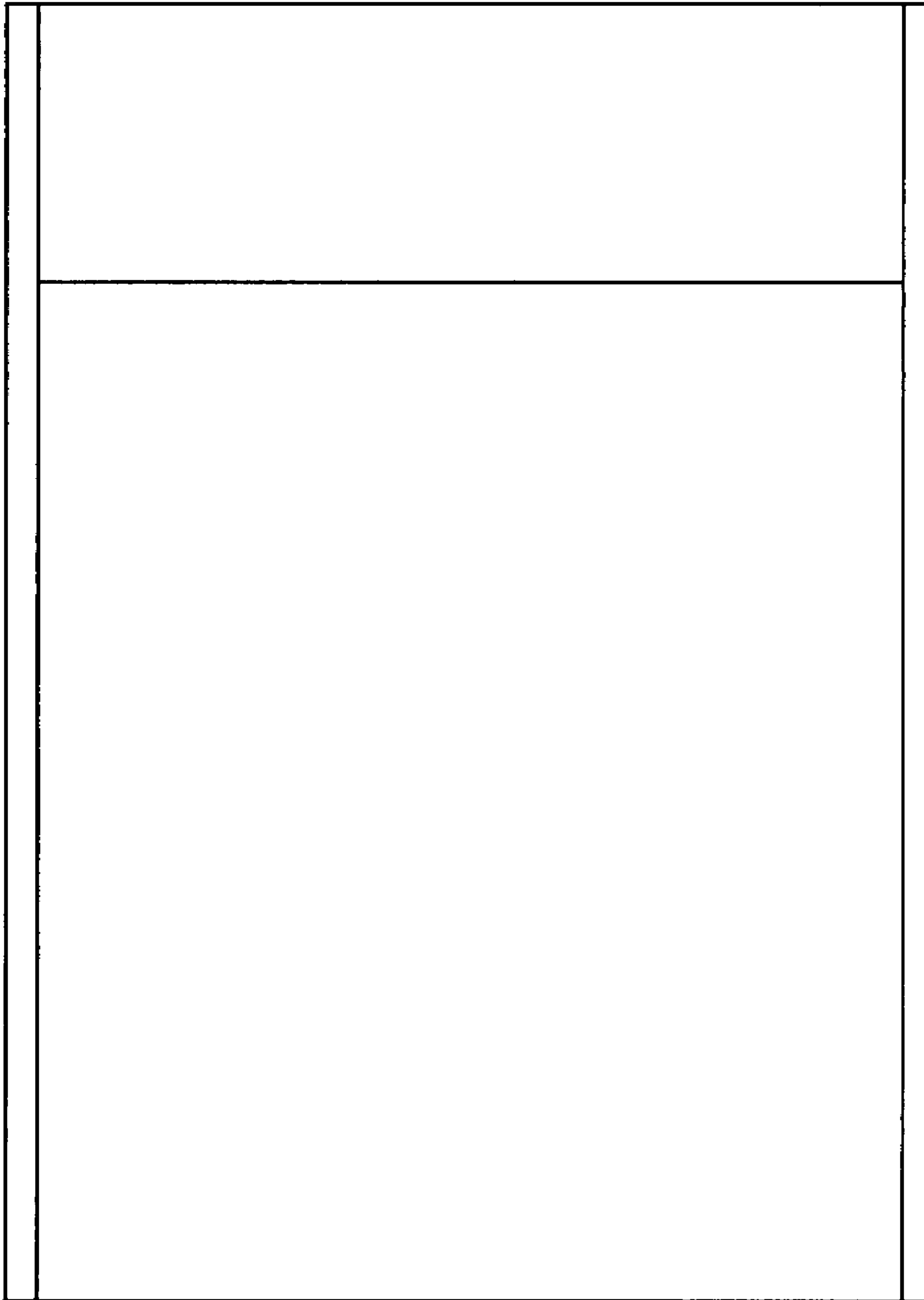


FIG. 13

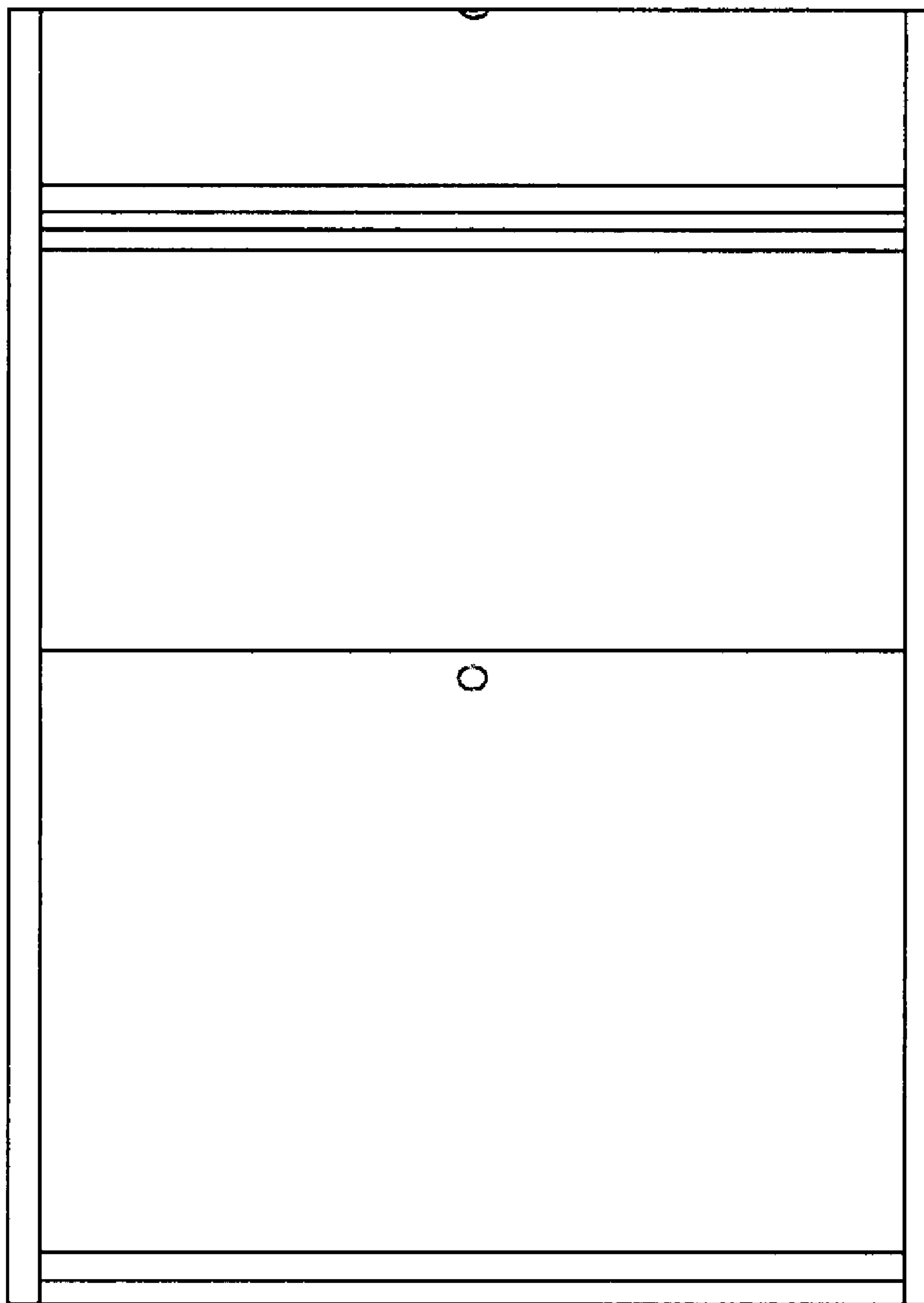


FIG. 14

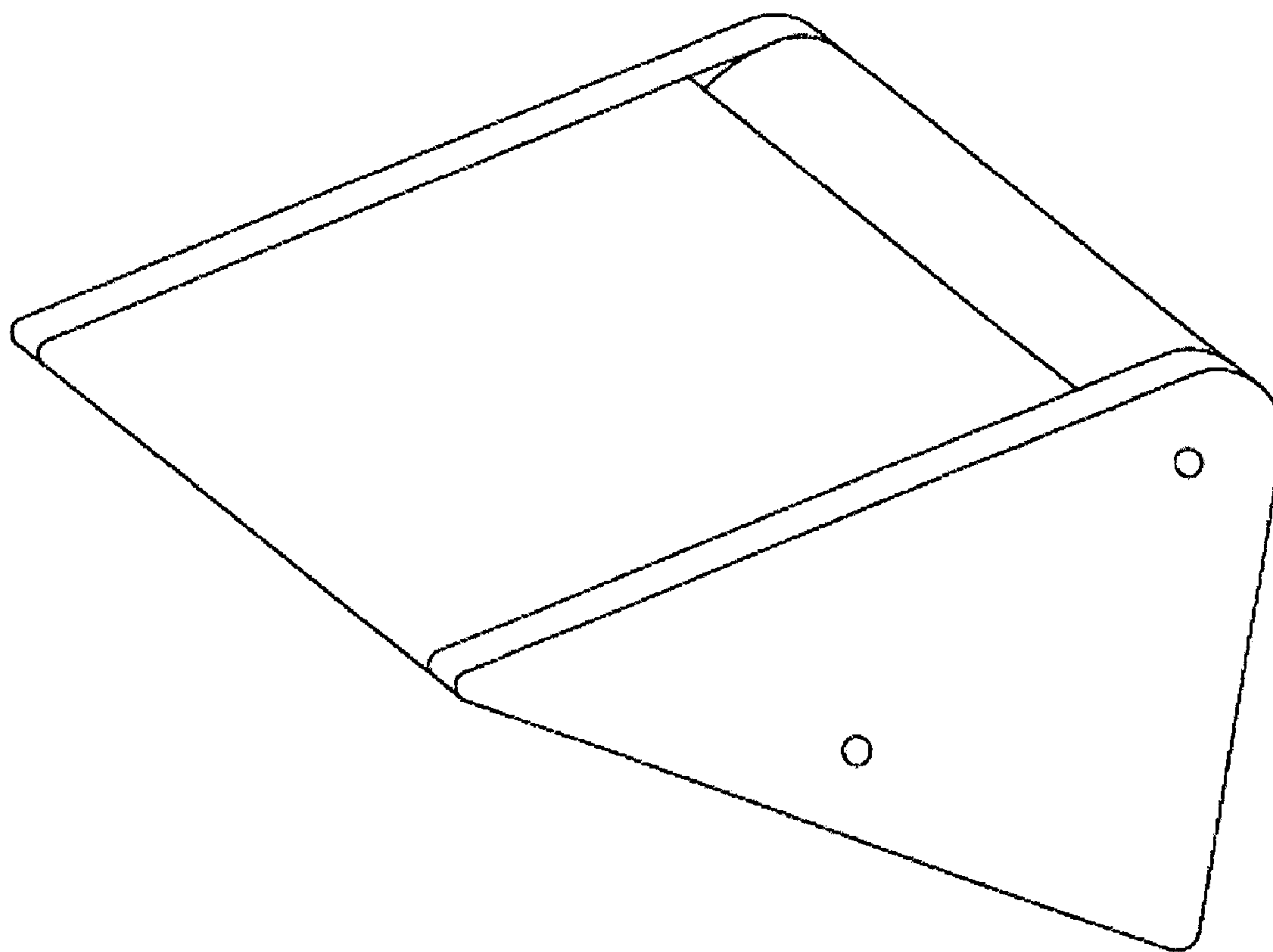


FIG. 15

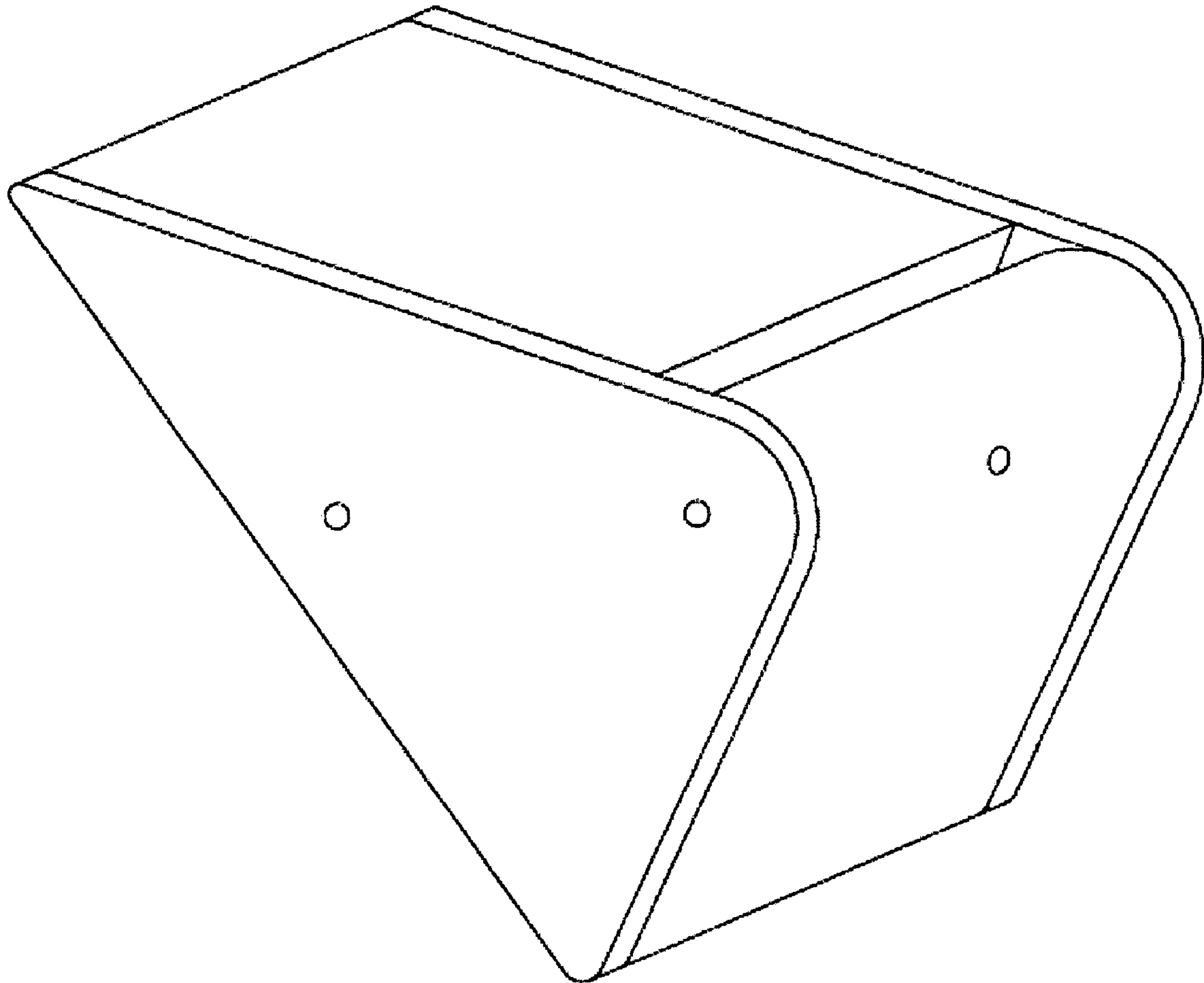


FIG. 16

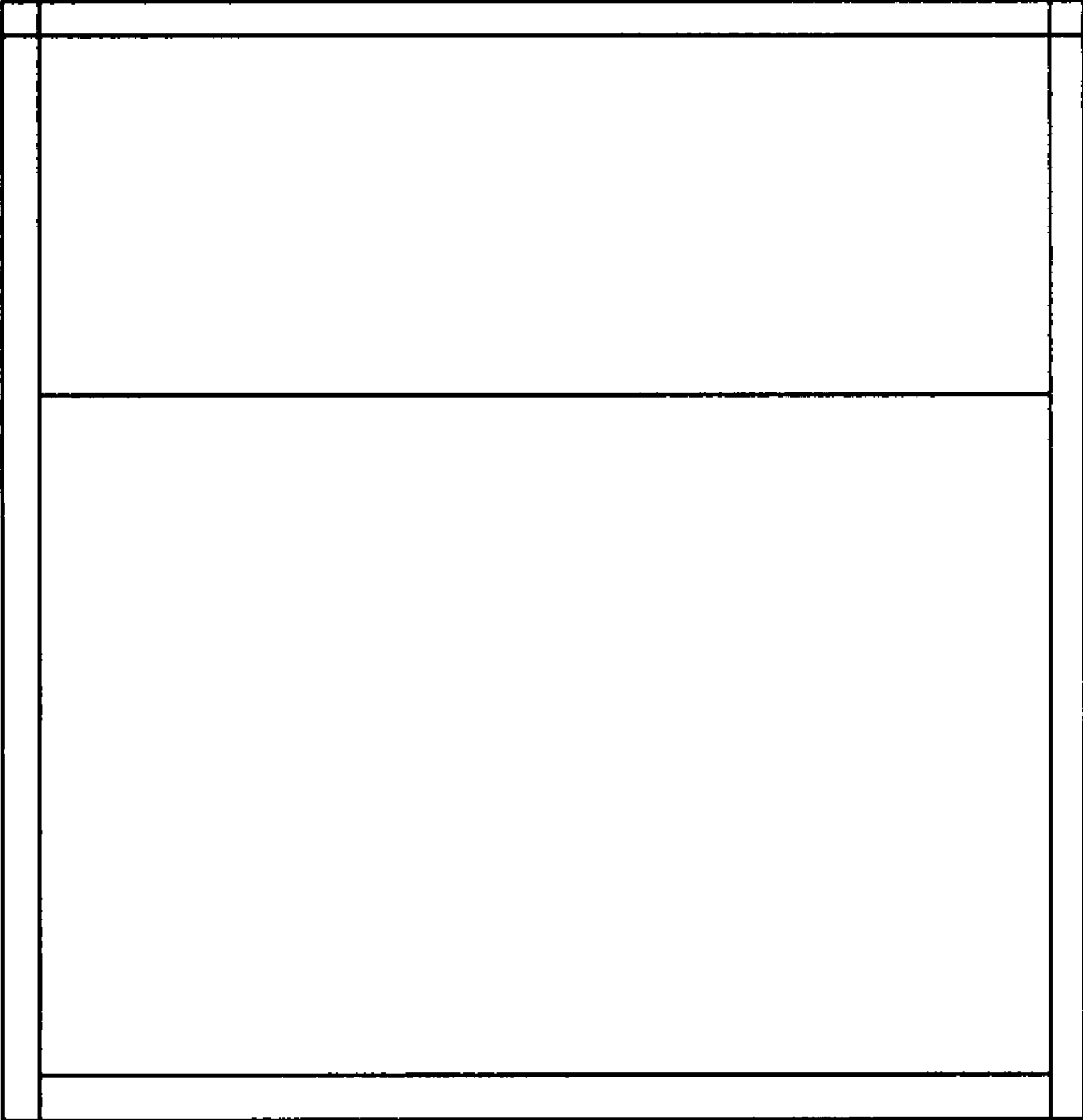


FIG. 17

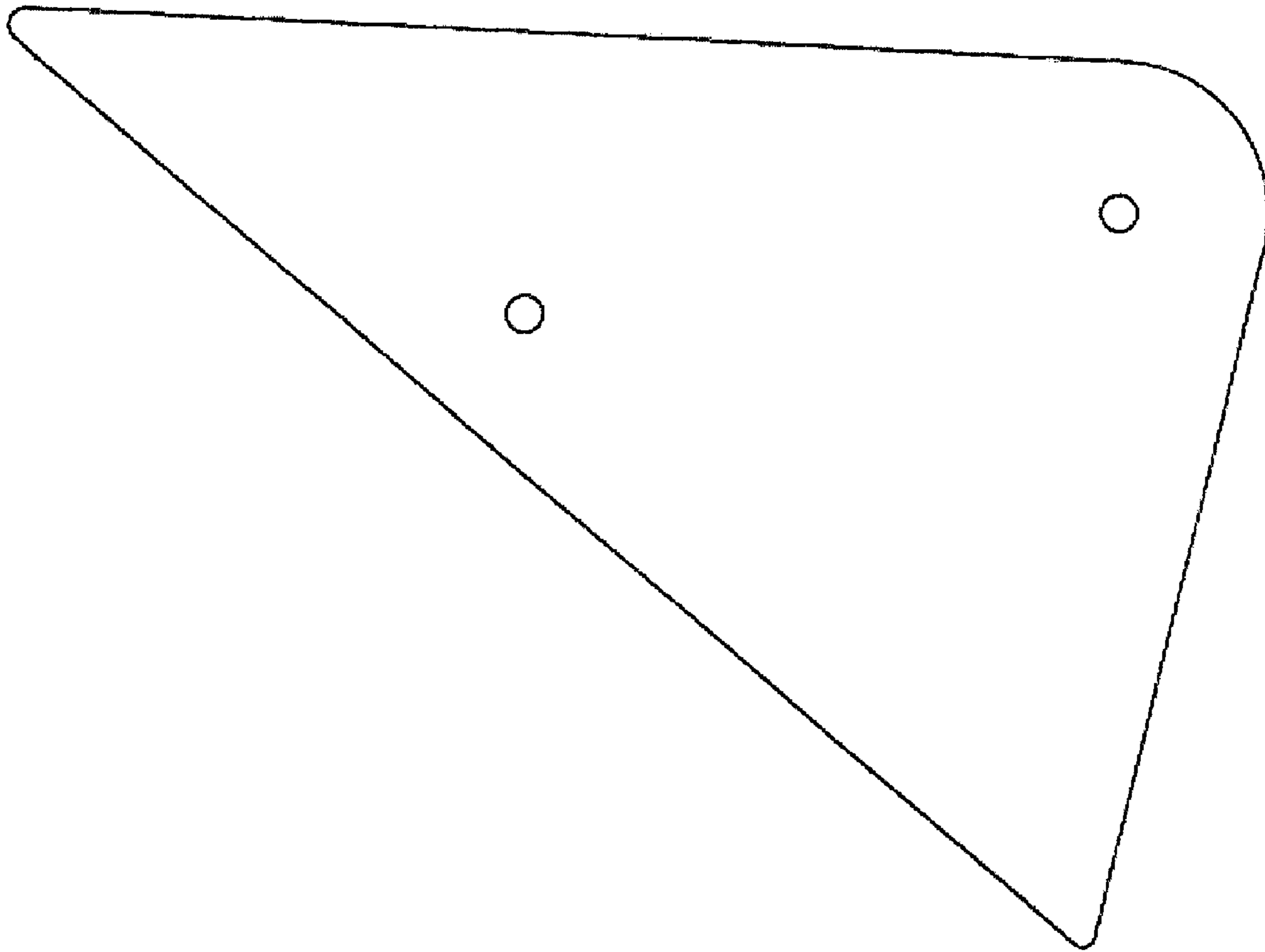


FIG. 18

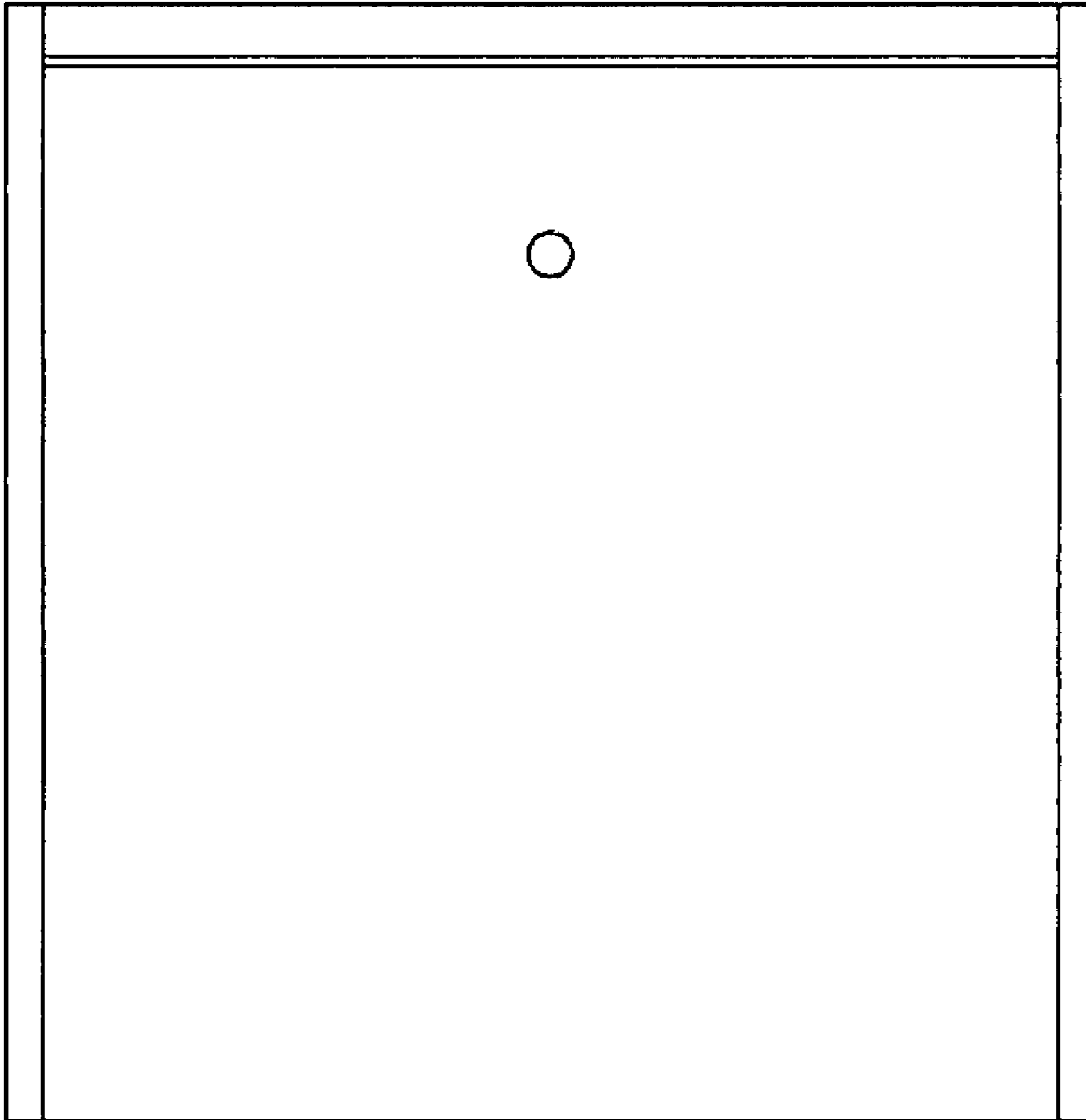


FIG. 19

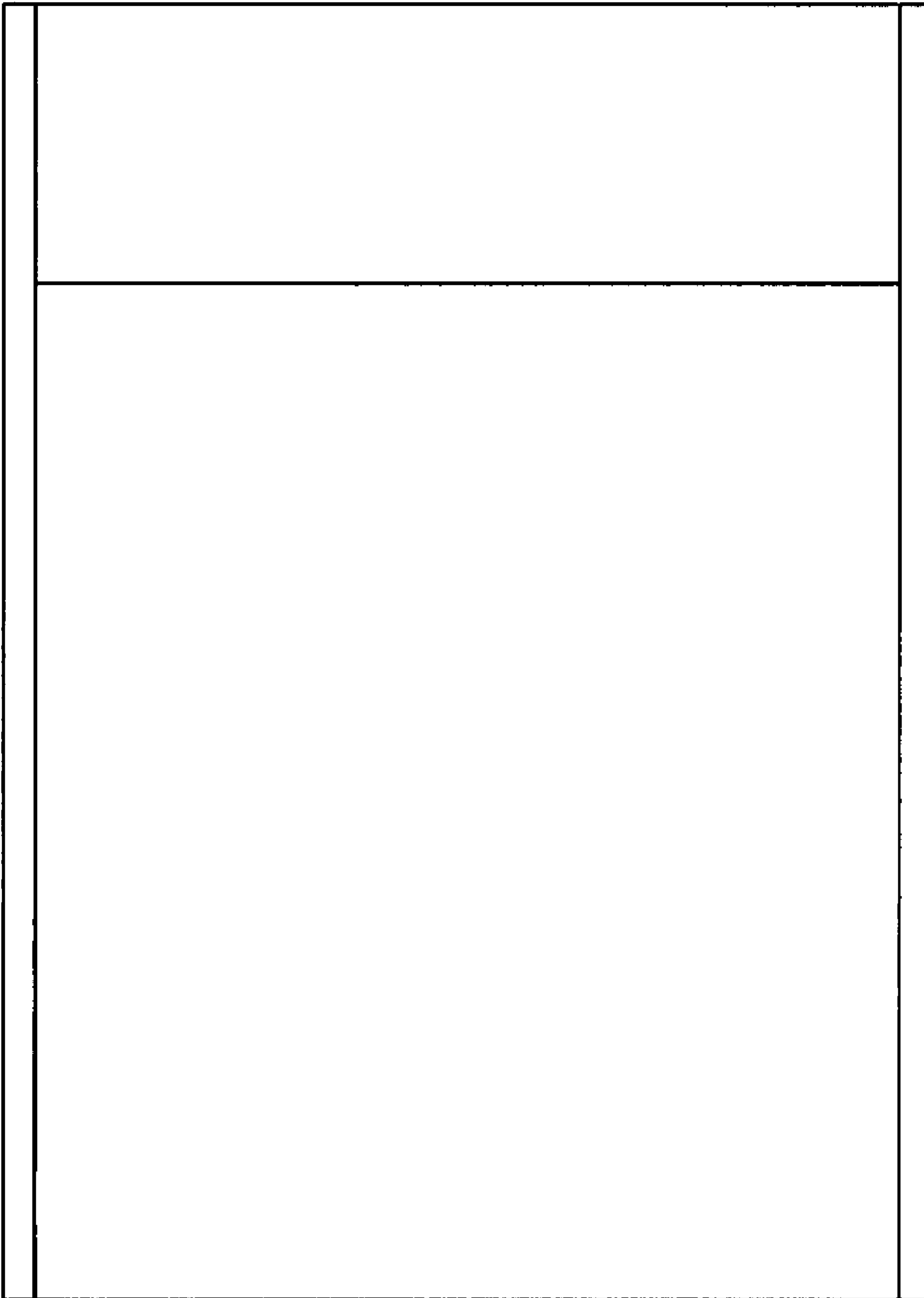


FIG. 20

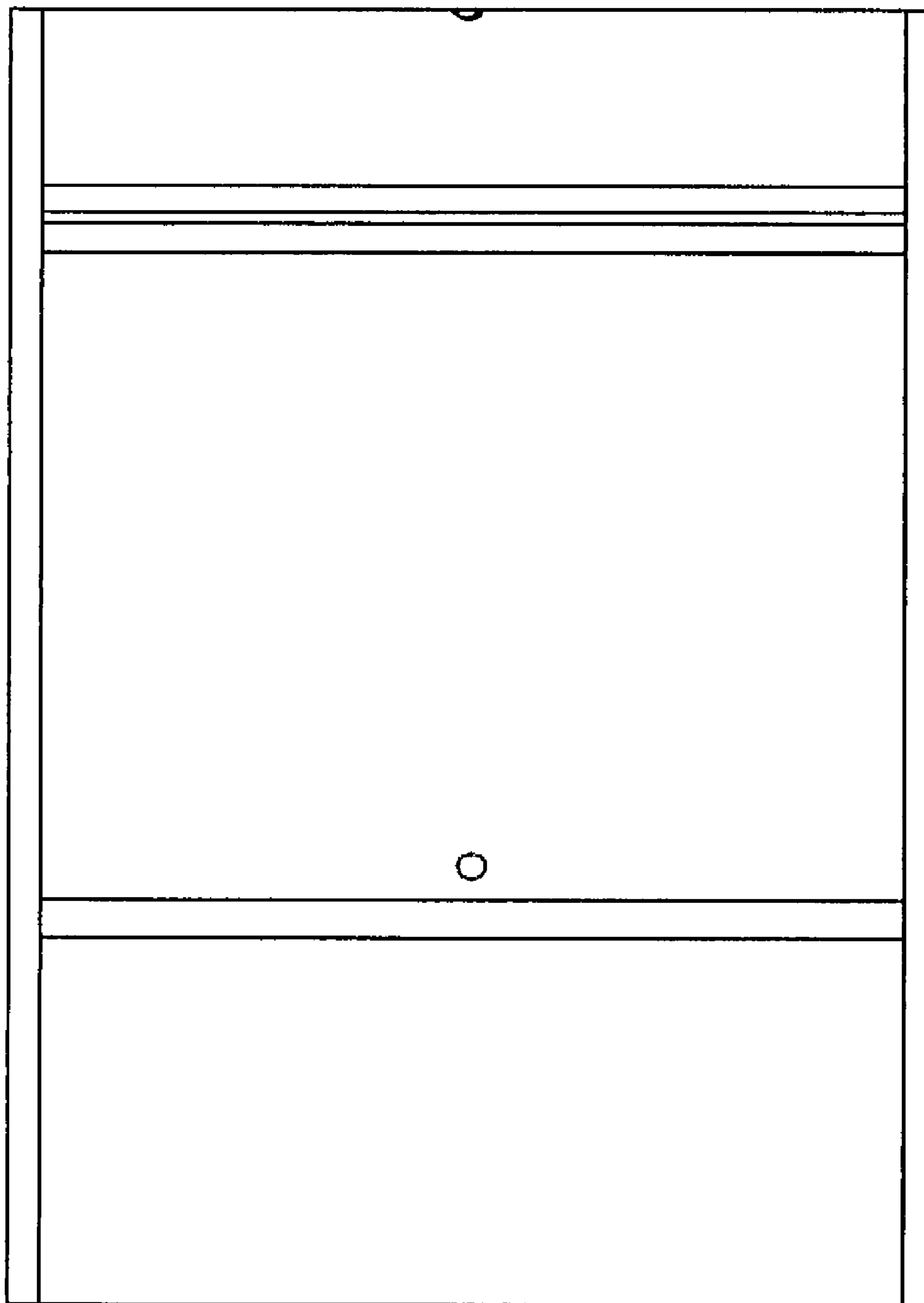


FIG. 21

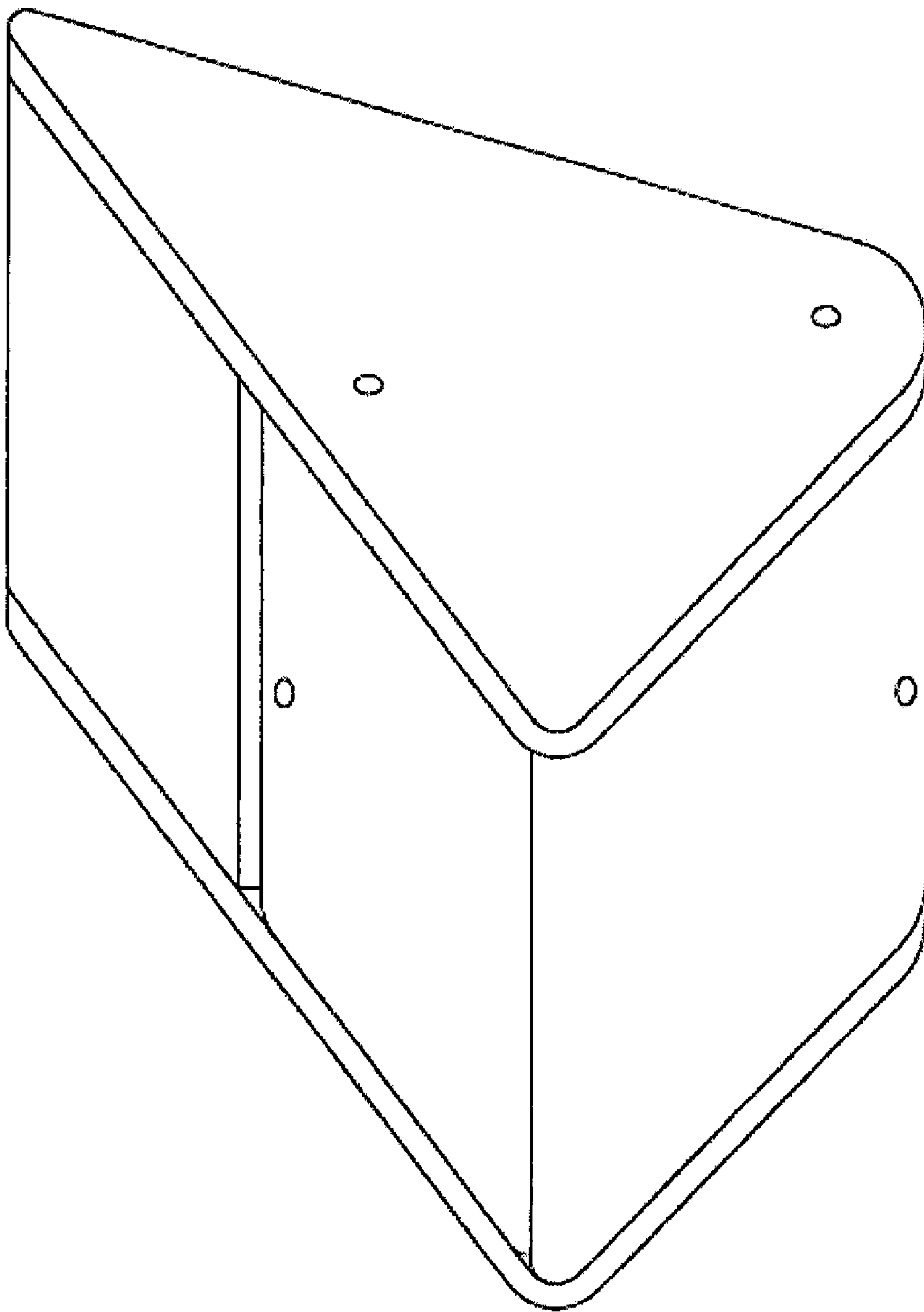


FIG. 22