



US00D555366S

(12) **United States Design Patent**  
**Goodman et al.**

(10) **Patent No.:** **US D555,366 S**

(45) **Date of Patent:** **\*\* Nov. 20, 2007**

(54) **OVER-THE-DOOR HOOK RACK**

(75) Inventors: **Sheldon H. Goodman**, Solon, OH  
(US); **Kent W. Murphy**, Wooster, OH  
(US)

(73) Assignee: **Spectrum Diversified Designs, Inc.**,  
Streetsboro, OH (US)

(\*\*) Term: **14 Years**

(21) Appl. No.: **29/275,934**

(22) Filed: **Jan. 10, 2007**

(51) **LOC (8) Cl.** ..... **06-08**

(52) **U.S. Cl.** ..... **D6/323**

(58) **Field of Classification Search** ..... D6/315,  
D6/317, 320, 323, 324, 325, 572; D8/372;  
211/13.1, 85.3, 86.01, 113, 118, 183; 223/85-98;  
248/200, 317, 560

See application file for complete search history.

(56) **References Cited**

**U.S. PATENT DOCUMENTS**

|           |    |   |         |                 |       |         |
|-----------|----|---|---------|-----------------|-------|---------|
| D324,783  | S  | * | 3/1992  | Greenhut et al. | ..... | D6/323  |
| D355,841  | S  | * | 2/1995  | Goodman et al.  | ..... | D8/372  |
| 6,189,709 | B1 | * | 2/2001  | Cullen          | ..... | 211/118 |
| D461,650  | S  | * | 8/2002  | Goodman et al.  | ..... | D8/372  |
| D461,706  | S  | * | 8/2002  | Goodman et al.  | ..... | D8/372  |
| D465,406  | S  | * | 11/2002 | Goodman et al.  | ..... | D8/372  |
| D465,998  | S  | * | 11/2002 | Goodman et al.  | ..... | D8/372  |

|           |    |   |         |                |       |         |
|-----------|----|---|---------|----------------|-------|---------|
| D472,134  | S  | * | 3/2003  | Goodman et al. | ..... | D8/372  |
| D473,455  | S  | * | 4/2003  | Goodman et al. | ..... | D8/372  |
| 6,571,968 | B1 | * | 6/2003  | Cullen         | ..... | 211/113 |
| D479,796  | S  | * | 9/2003  | Snell          | ..... | D8/372  |
| D484,345  | S  | * | 12/2003 | Clucas         | ..... | D6/572  |

\* cited by examiner

*Primary Examiner*—Mitchell Siegel

*Assistant Examiner*—Shanda C. Hill

(74) *Attorney, Agent, or Firm*—Pearne & Gordon LLP

(57) **CLAIM**

The ornamental design for an over-the-door hook rack, as shown and described.

**DESCRIPTION**

FIG. 1 is a perspective view of an over-the-door hook rack, showing our new design;

FIG. 2 is a front elevational view thereof;

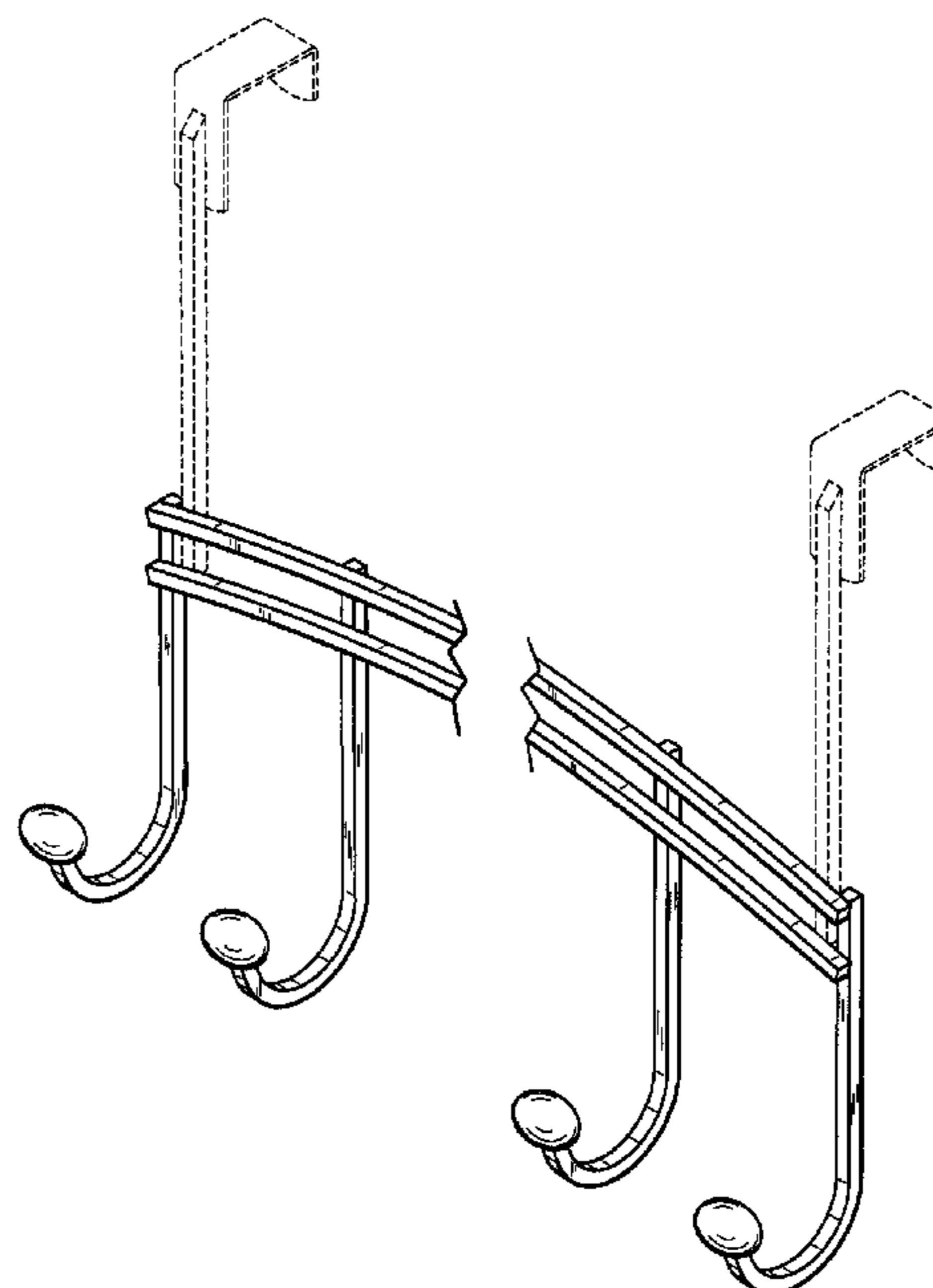
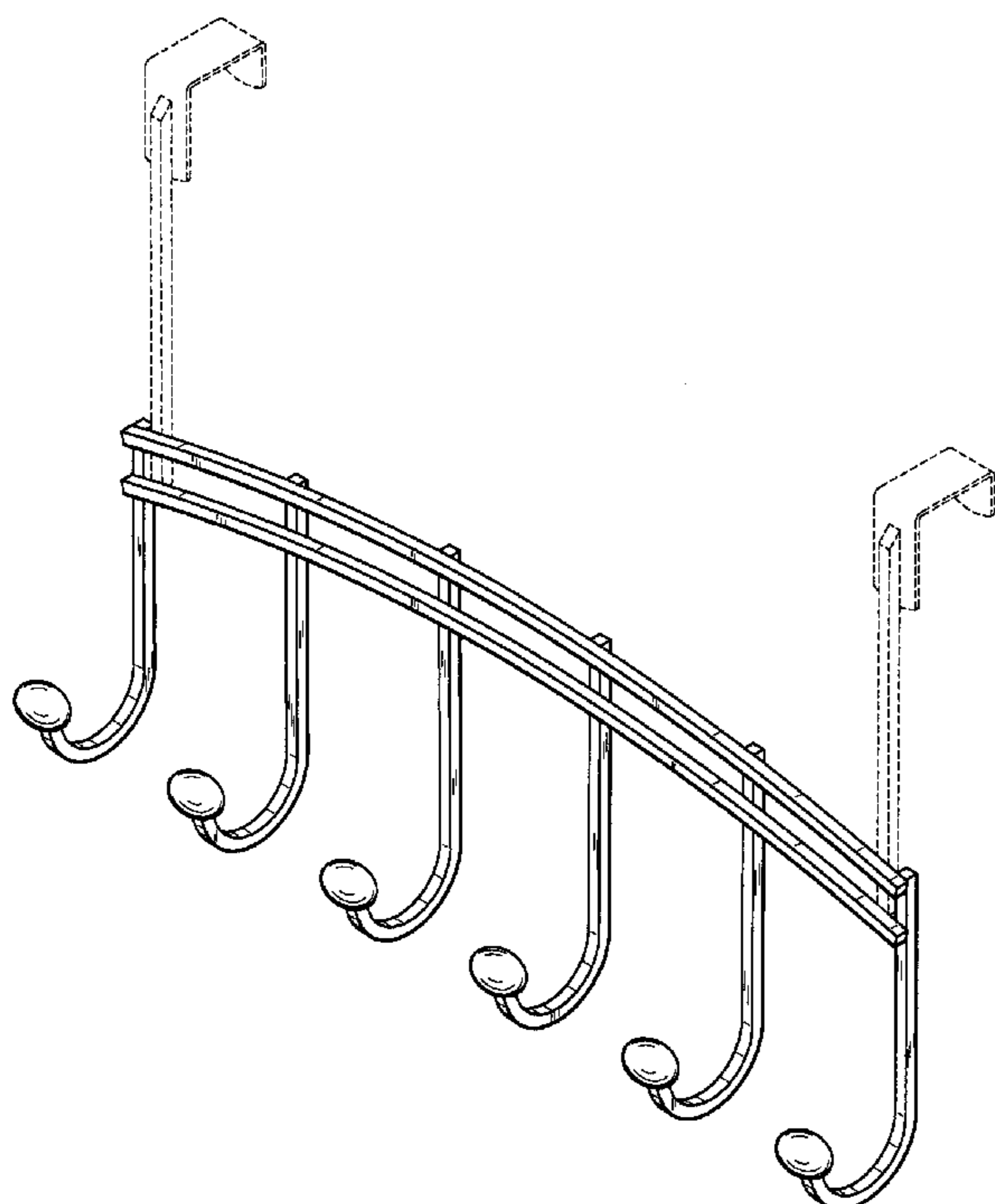
FIG. 3 is a side elevational view thereof;

FIG. 4 is a top plan view thereof; and,

FIG. 5 is a perspective view of a second embodiment of an over-the-door hook rack.

The jagged lines shown in the drawing disclosure are meant to represent indeterminate length. The broken lines shown in the drawing disclosure are for illustrative purposes only and form no part of the claimed design.

**1 Claim, 4 Drawing Sheets**



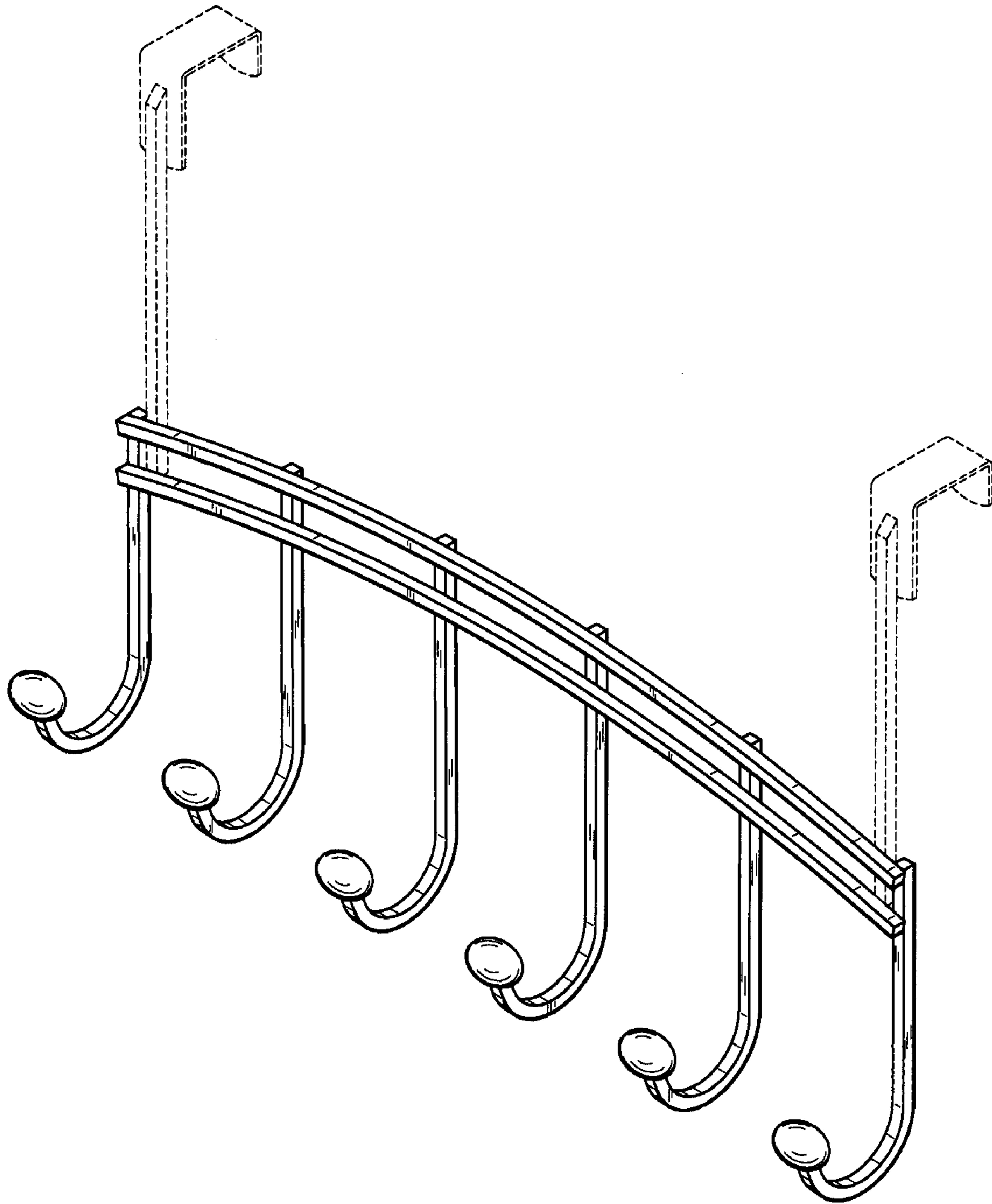


FIG. 1

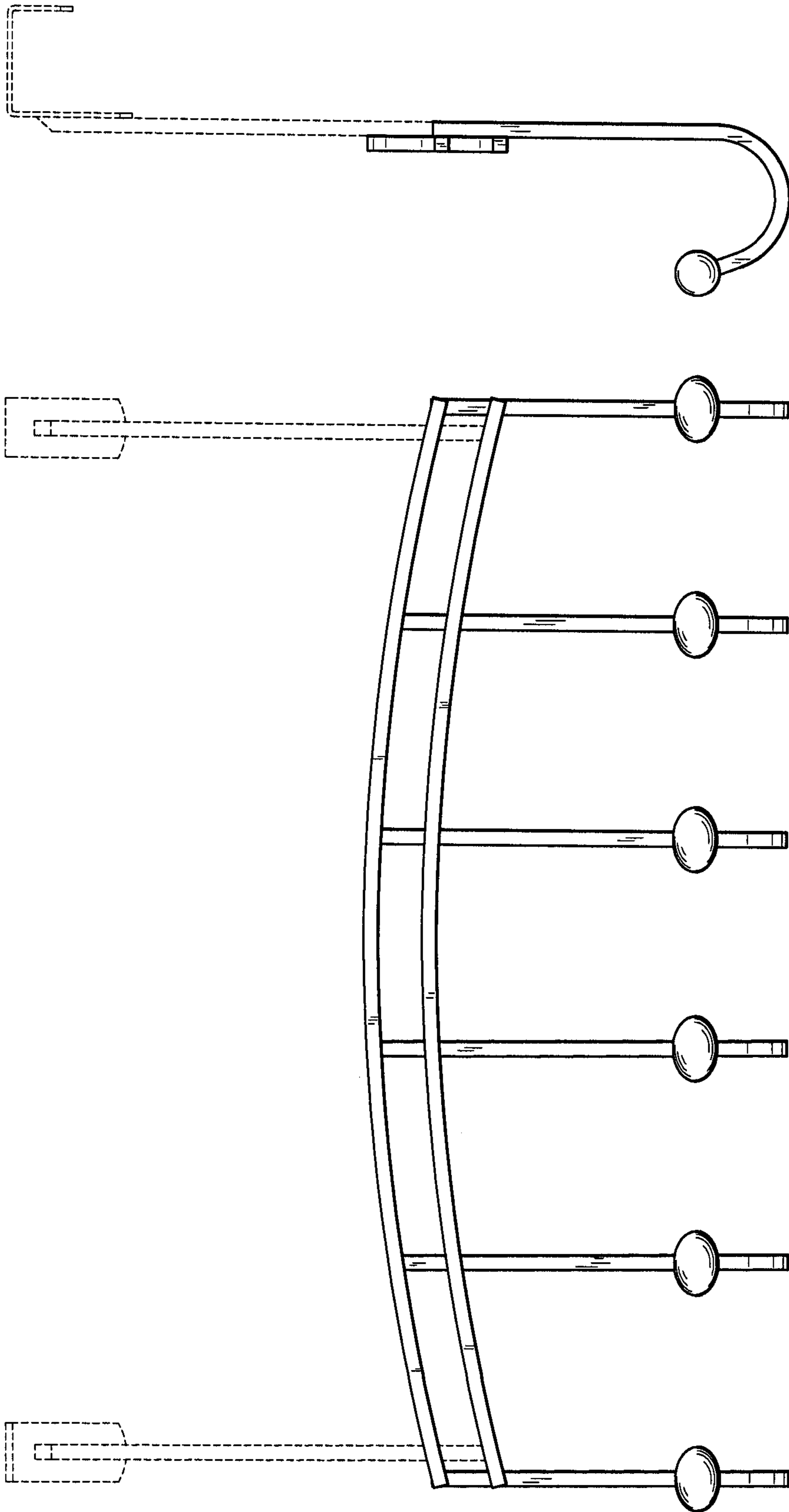


FIG. 3

FIG. 2

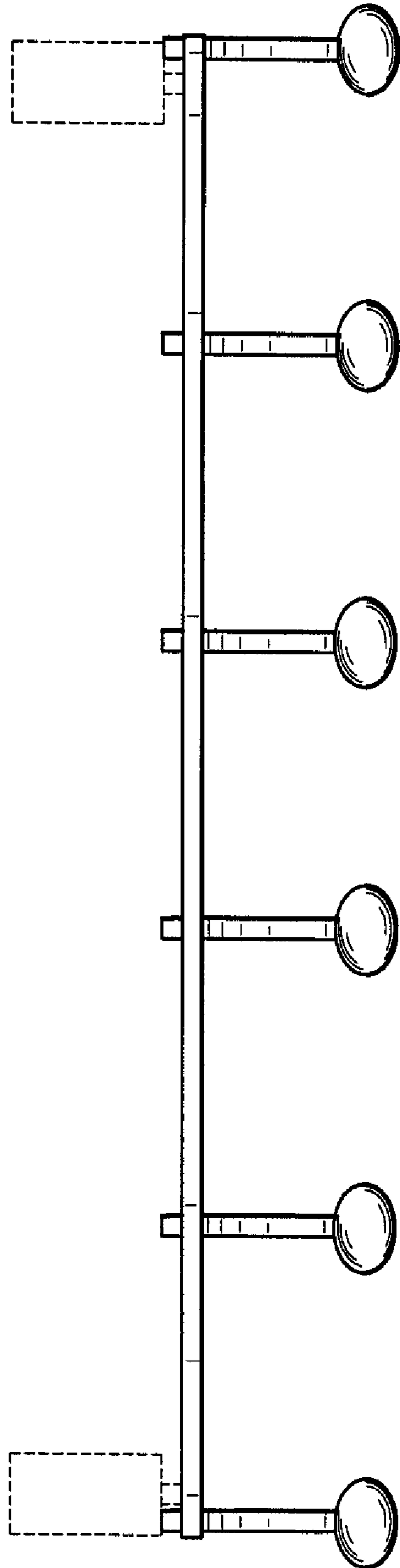


FIG. 4

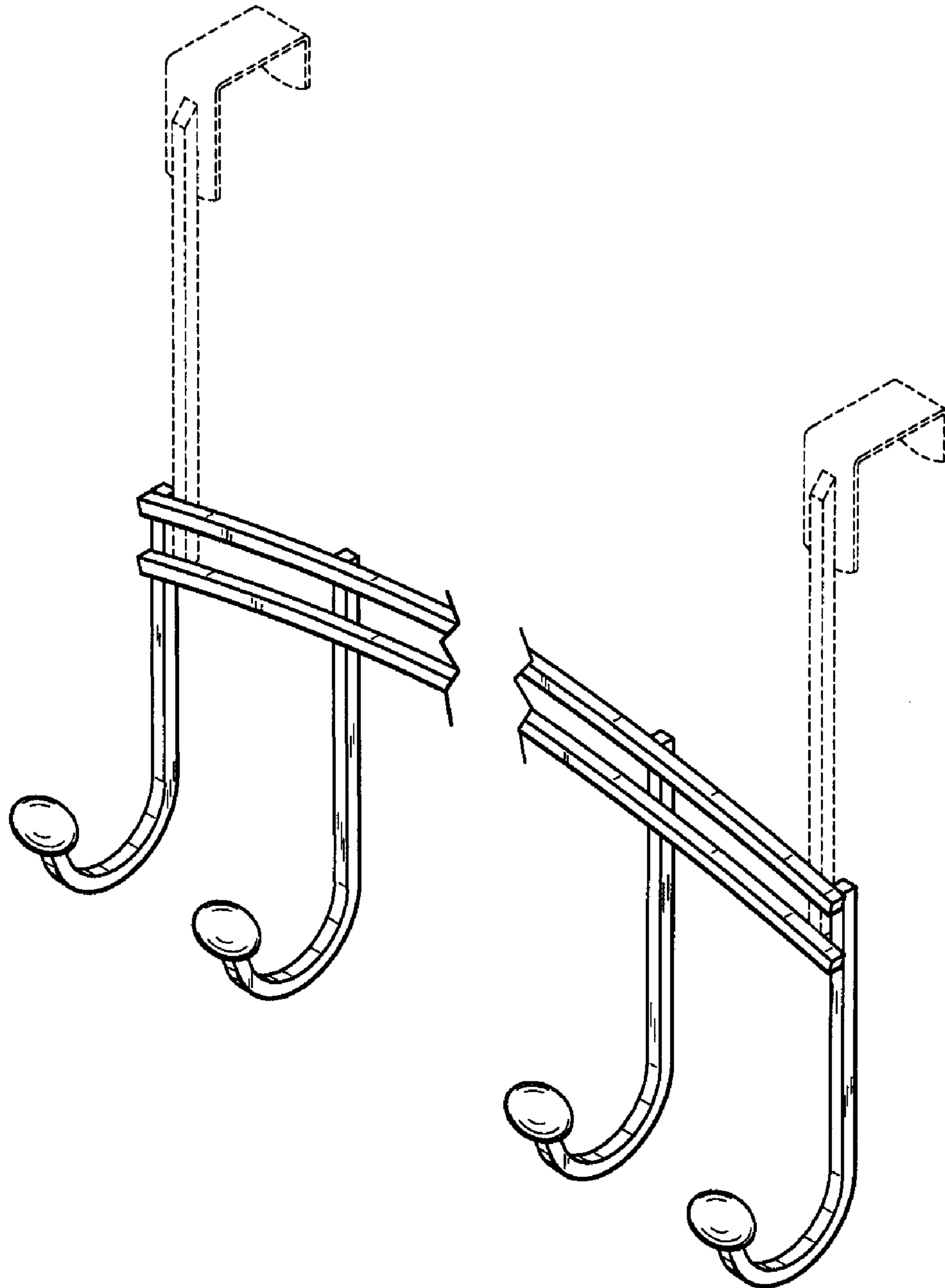


FIG. 5