



US00D555360S

(12) **United States Design Patent** (10) **Patent No.:** **US D555,360 S**  
**Lee** (45) **Date of Patent:** **\*\* Nov. 20, 2007**

(54) **OIL BRUSH**

JP 2003019079 A \* 1/2003

(75) Inventor: **Shek Tang Lee**, Hong Kong (CN)

\* cited by examiner

(73) Assignee: **Best Luck Technology Development Limited**, Tsuen Wan, New Territories (HK)

*Primary Examiner*—Alan P. Douglas  
*Assistant Examiner*—Lavone D. Tabor  
(74) *Attorney, Agent, or Firm*—Egbert Law Offices

(\*\*) Term: **14 Years**

(57) **CLAIM**

(21) Appl. No.: **29/259,096**

I claim the ornamental design for an oil brush, as shown and described.

(22) Filed: **May 3, 2006**

(51) **LOC (8) Cl.** ..... **04-01**

(52) **U.S. Cl.** ..... **D4/114; D4/121**

(58) **Field of Classification Search** ..... D4/114,  
D4/121, 127, 135; 15/159.1, 160, 184; 401/183,  
401/184, 268, 269, 271, 274, 278, 282  
See application file for complete search history.

(56) **References Cited**

**U.S. PATENT DOCUMENTS**

- 4,144,967 A \* 3/1979 Craven et al. .... 206/229
- 6,109,810 A \* 8/2000 Flores et al. .... 401/279
- 6,428,230 B2 \* 8/2002 Rodgers ..... 401/17

**FOREIGN PATENT DOCUMENTS**

JP 2000060746 A \* 2/2000

**DESCRIPTION**

FIG. 1 is front elevation view of the oil brush showing my design, wherein back, side and opposite side views are identical, showing bristles in broken lines.

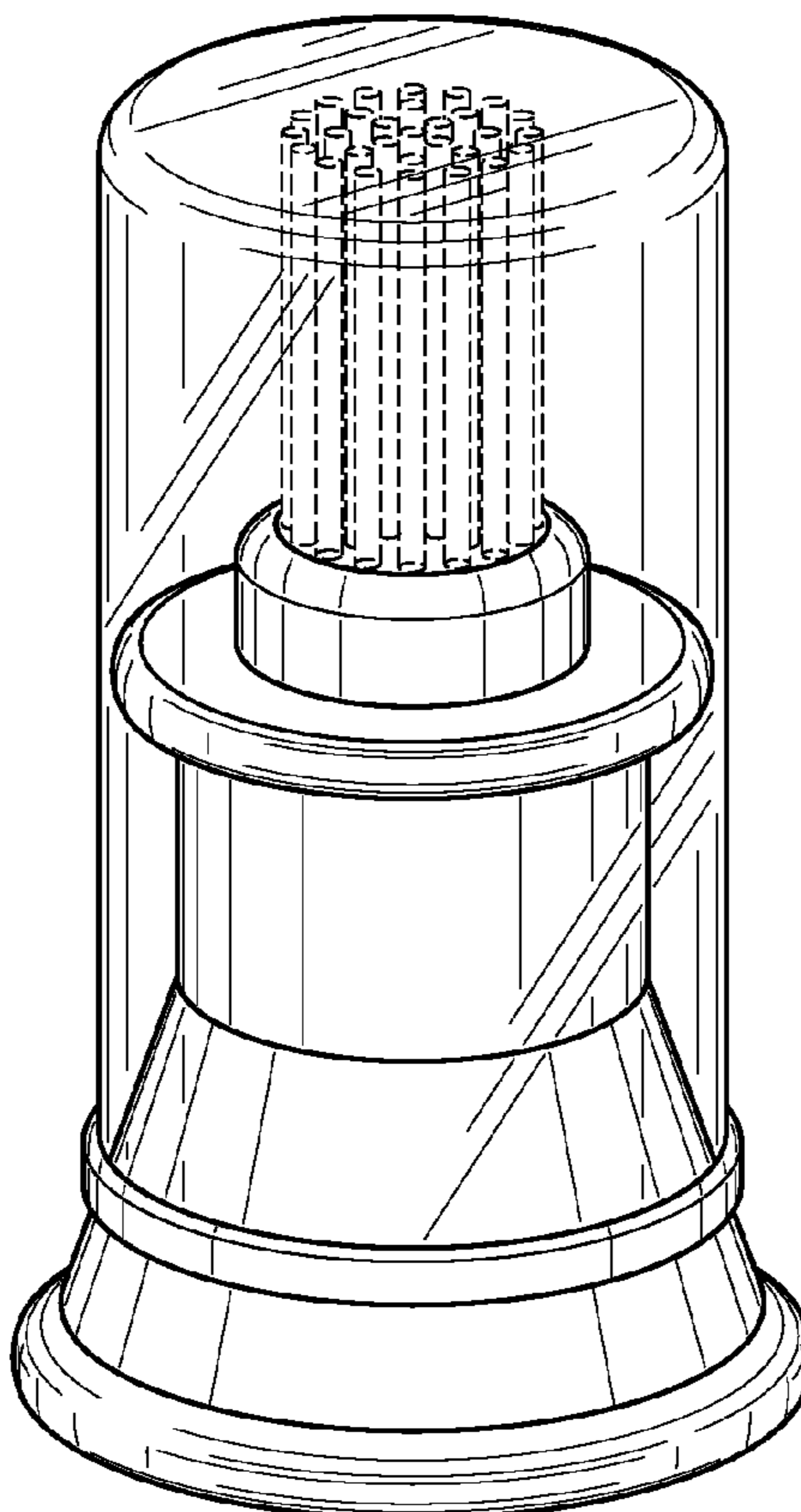
FIG. 2 is a top plan view thereof, showing bristles in broken lines;

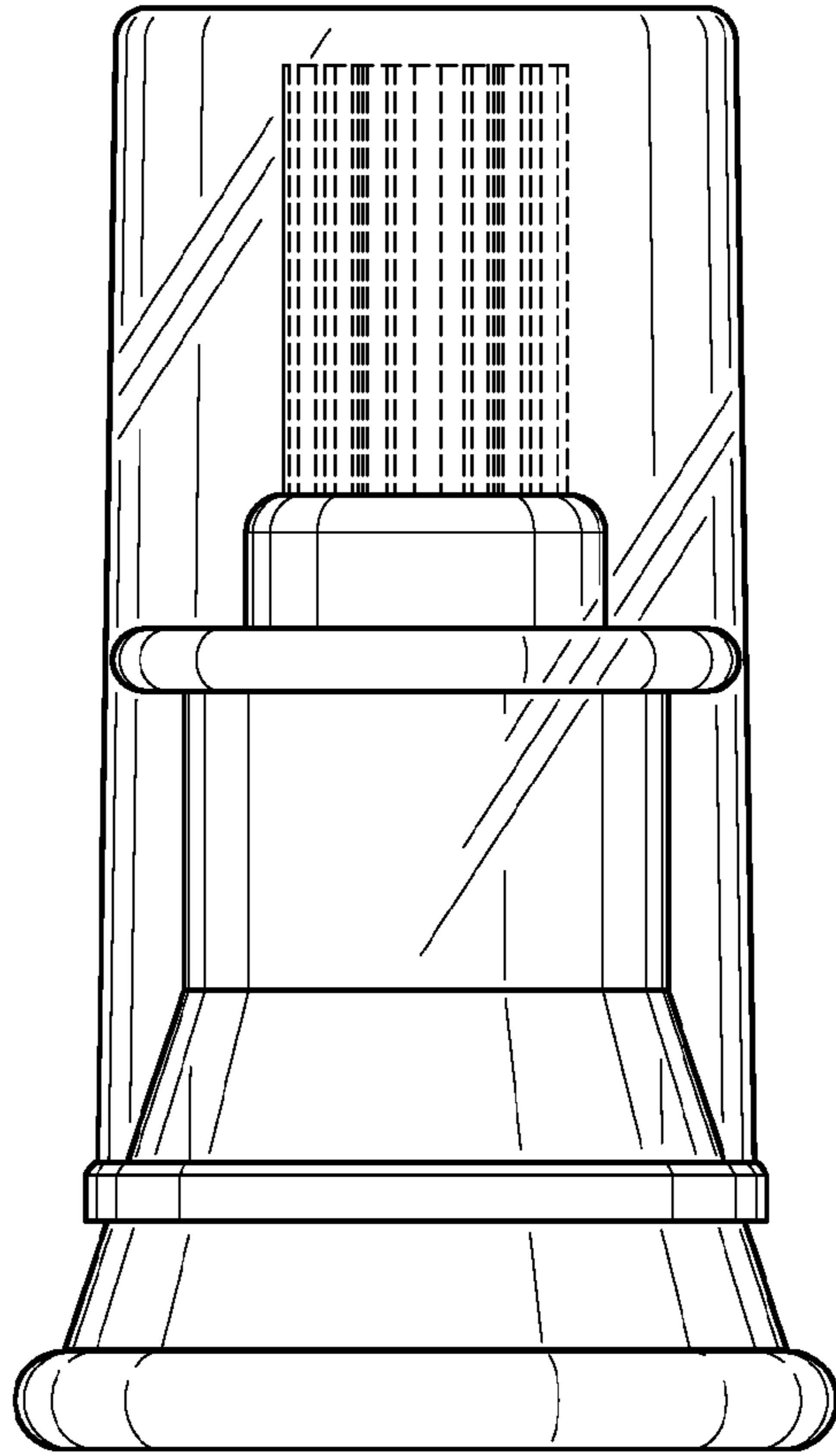
FIG. 3 is a greatly reduced exploded front elevation view thereof, showing bristles in broken lines; and,

FIG. 4 is a reduced perspective view thereof, showing bristles in broken lines.

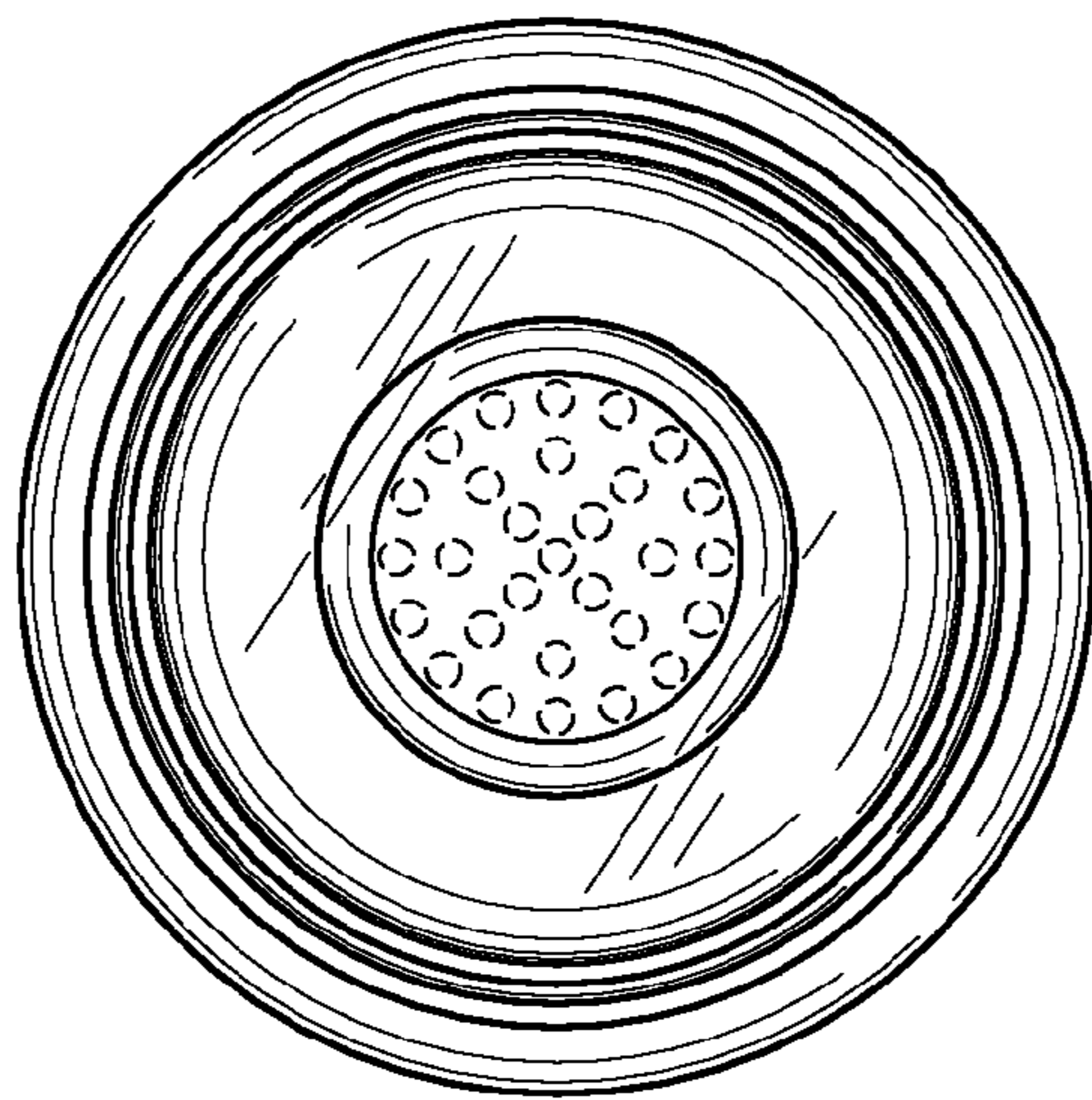
The broken lines in FIGS. 1–4 are presented for illustrative purposes and form no part of the claimed design.

**1 Claim, 3 Drawing Sheets**

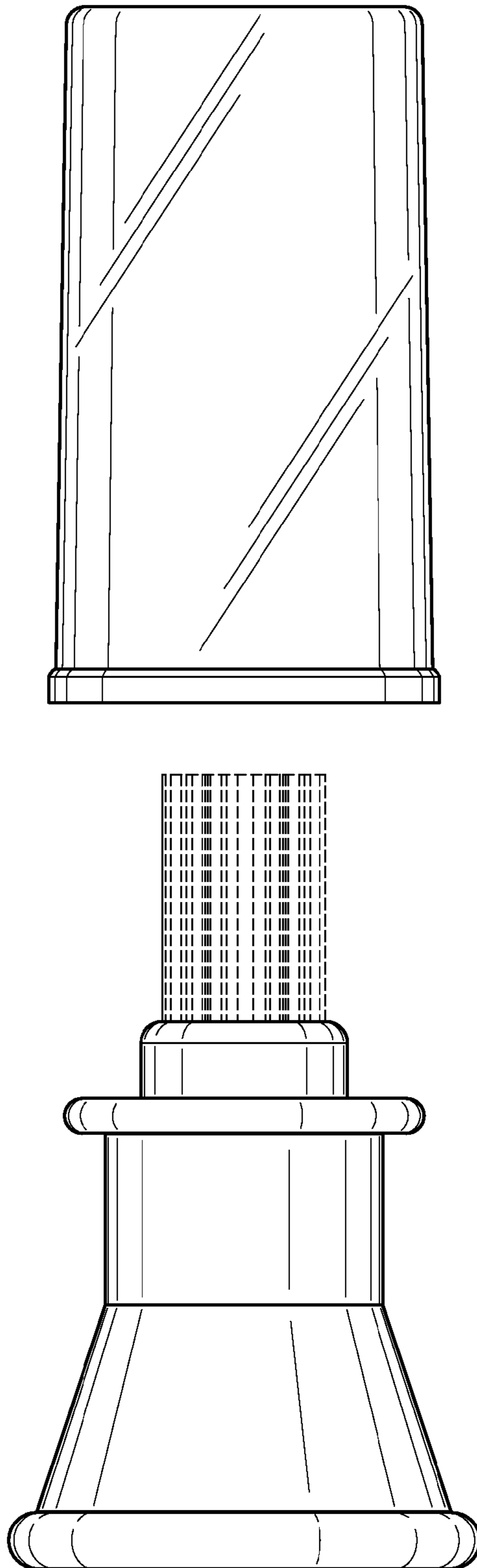




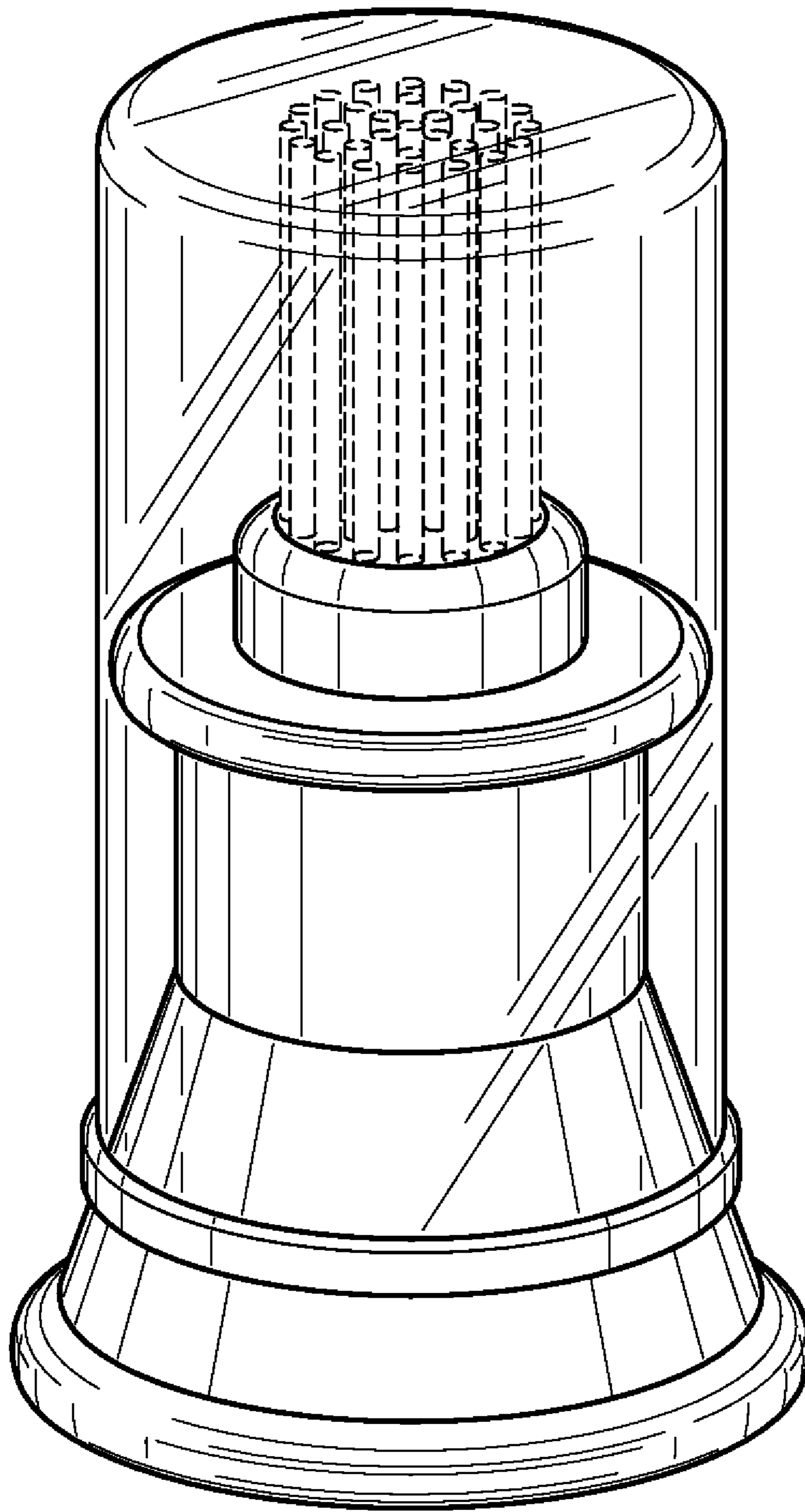
*FIG. 1*



*FIG. 2*



**FIG. 3**



**FIG. 4**