



US00D555357S

(12) **United States Design Patent**
Hsieh

(10) **Patent No.:** **US D555,357 S**

(45) **Date of Patent:** **** Nov. 20, 2007**

(54) **TOOL BOX**

(76) **Inventor:** **Ching-Fong Hsieh**, No. 2-1, Pei Ping
3rd Street, North District, Taichung
(TW)

(**) **Term:** **14 Years**

(21) **Appl. No.:** **29/247,337**

(22) **Filed:** **Jun. 12, 2006**

(51) **LOC (8) Cl.** **03-01**

(52) **U.S. Cl.** **D3/282; D3/905**

(58) **Field of Classification Search** D3/201,
D3/203.2, 203.6-203.8, 273, 276, 282, 294,
D3/905; 206/349, 372-373, 376, 379
See application file for complete search history.

(56) **References Cited**

U.S. PATENT DOCUMENTS

D268,380	S	*	3/1983	Thiele	D6/633
D309,832	S	*	8/1990	Hung	D3/282
D317,078	S	*	5/1991	Niles	D6/633
D446,650	S	*	8/2001	Chen	D3/282
D515,811	S	*	2/2006	Liu	D3/295

2006/0016810 A1* 1/2006 Liporice et al. 220/4.01

* cited by examiner

Primary Examiner—Philip S. Hyder

Assistant Examiner—RoseLynne H. (Ulm) Cody

(74) *Attorney, Agent, or Firm*—Alan Kamrath; Kamrath &
Associates, P.A.

(57) **CLAIM**

The ornamental design for a tool box, as shown and
described.

DESCRIPTION

FIG. 1 is a perspective view of a tool box showing my new
design;

FIG. 2 is a front view thereof;

FIG. 3 is a rear view thereof;

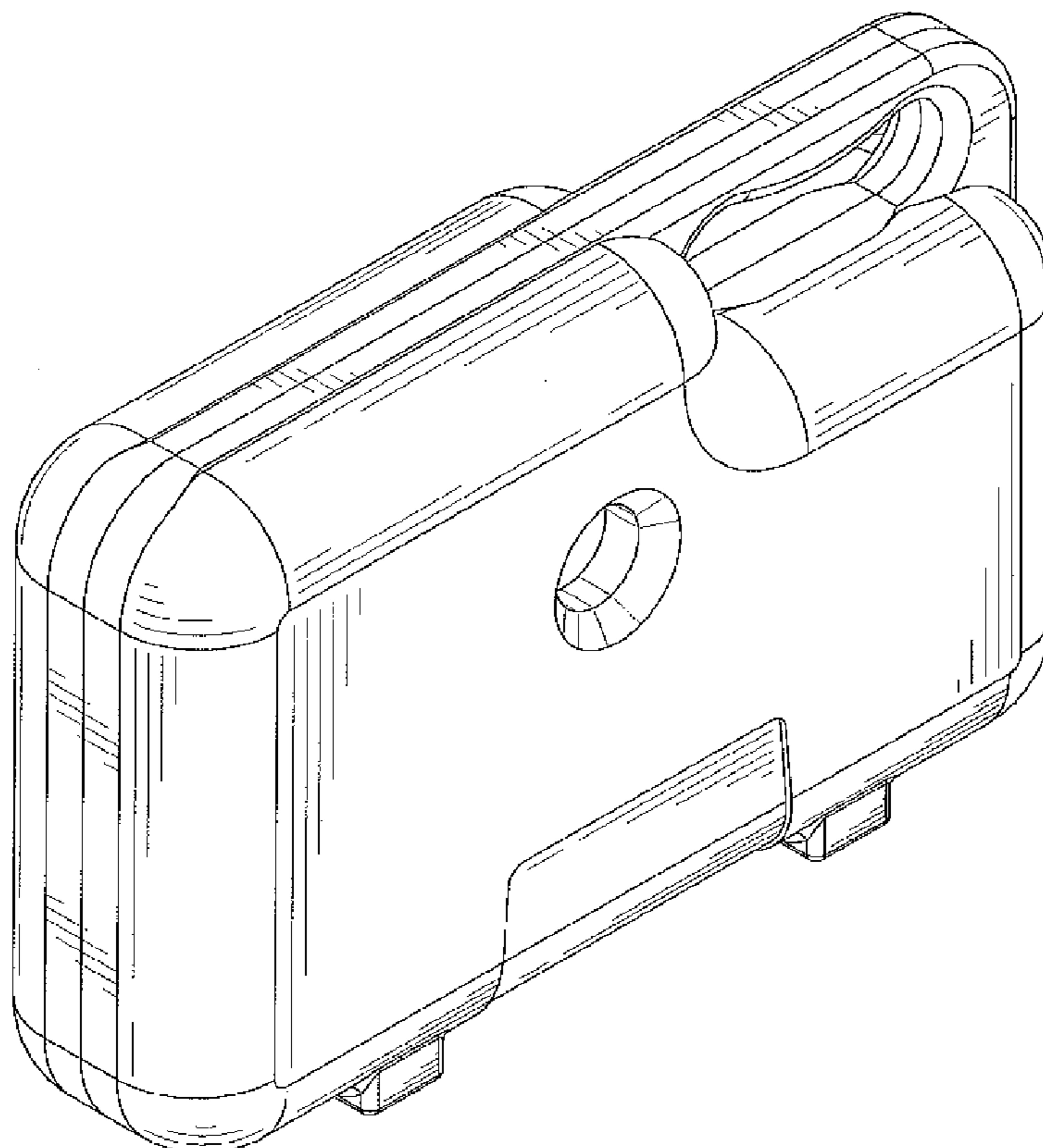
FIG. 4 is a left view thereof;

FIG. 5 is a right view thereof;

FIG. 6 is a top view thereof; and,

FIG. 7 is a bottom view thereof.

1 Claim, 4 Drawing Sheets



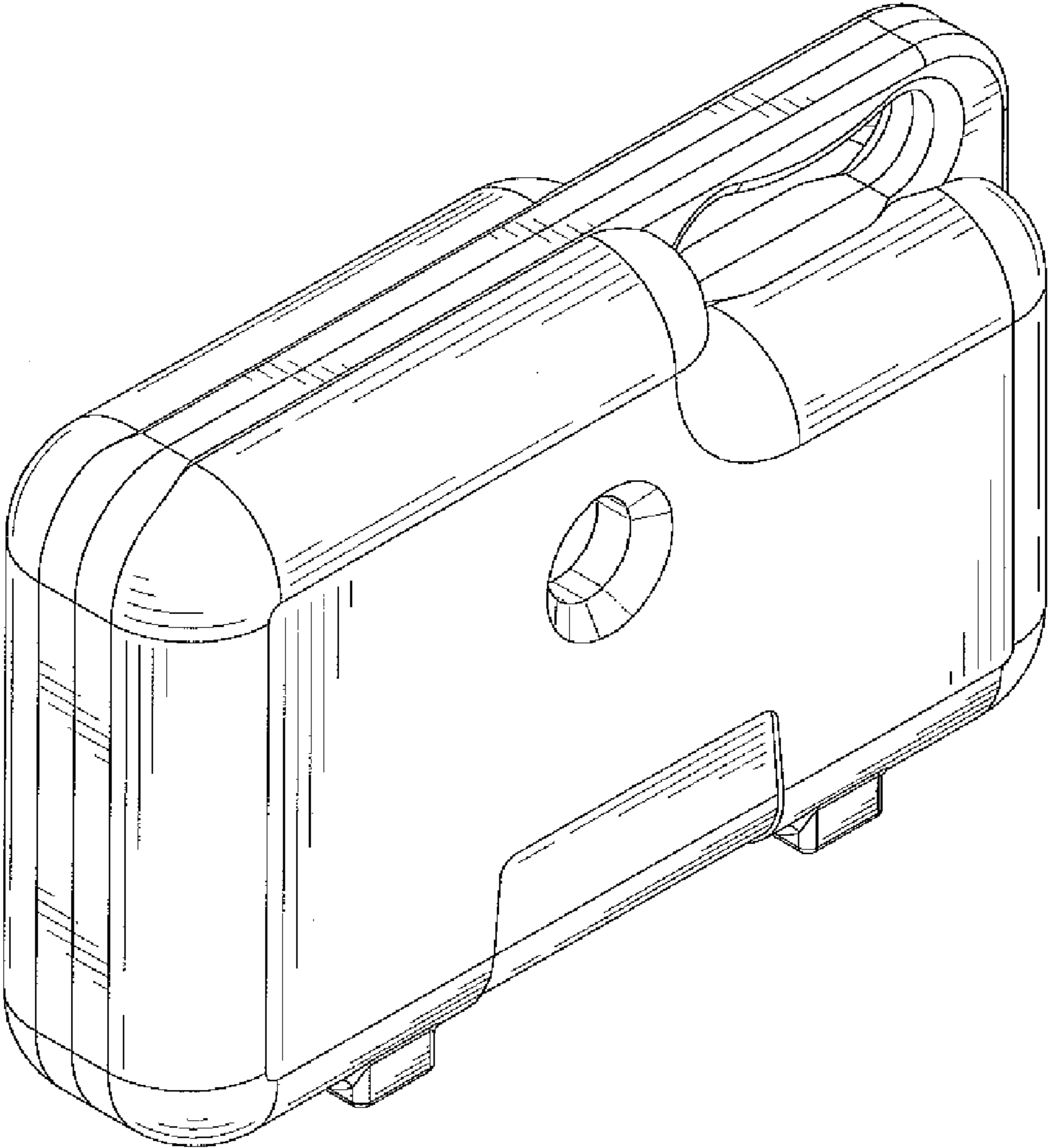


Fig. 1

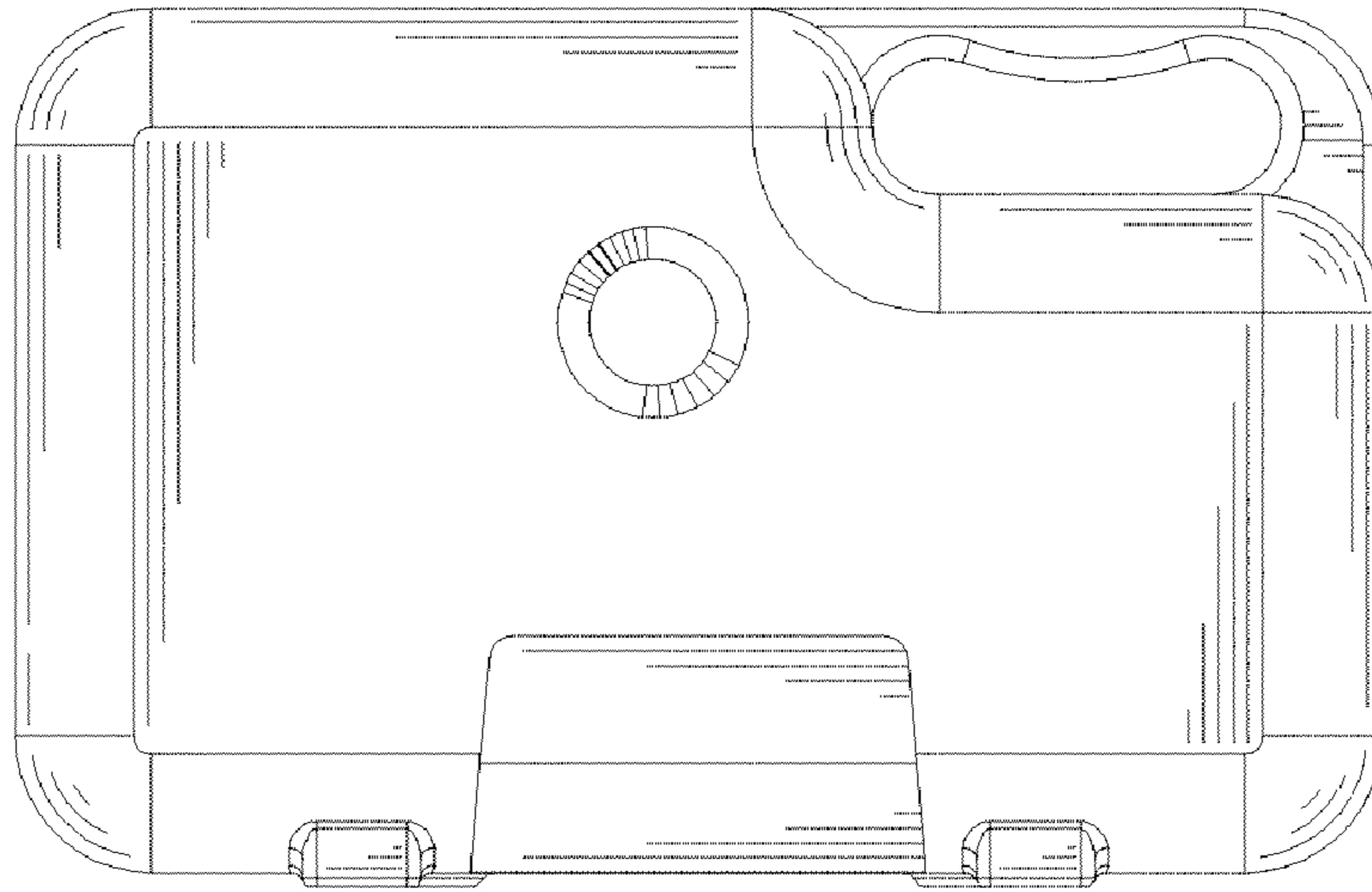


Fig. 2

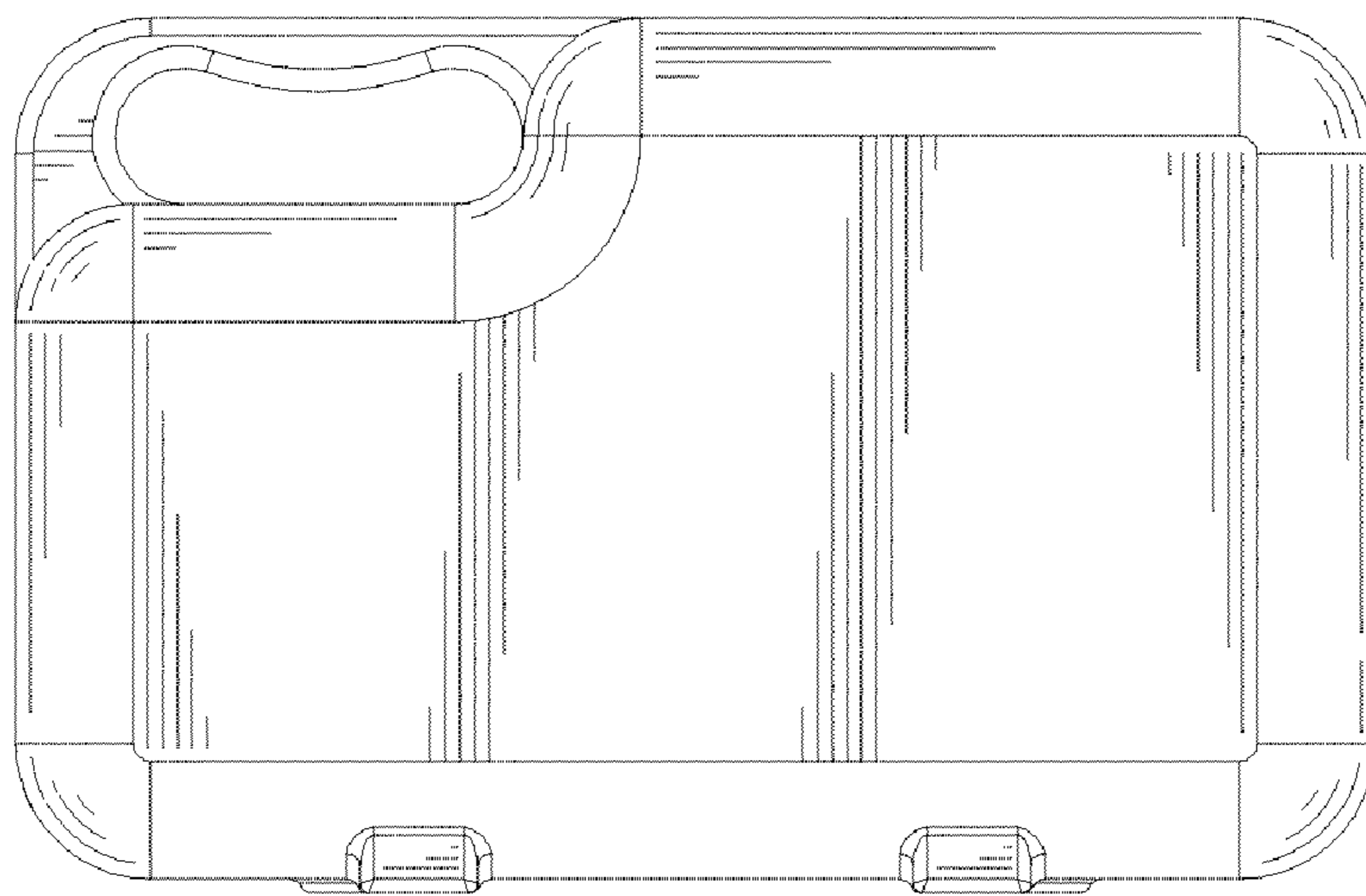


Fig. 3

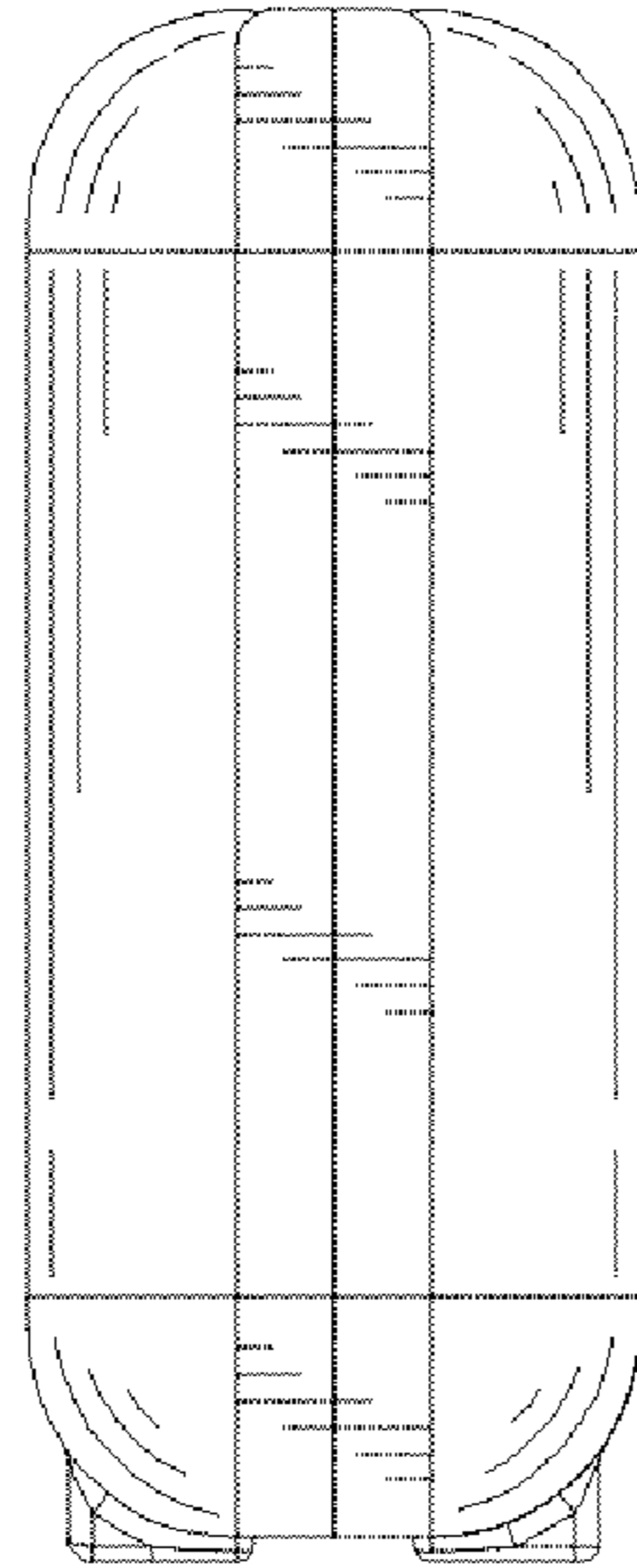


Fig. 4

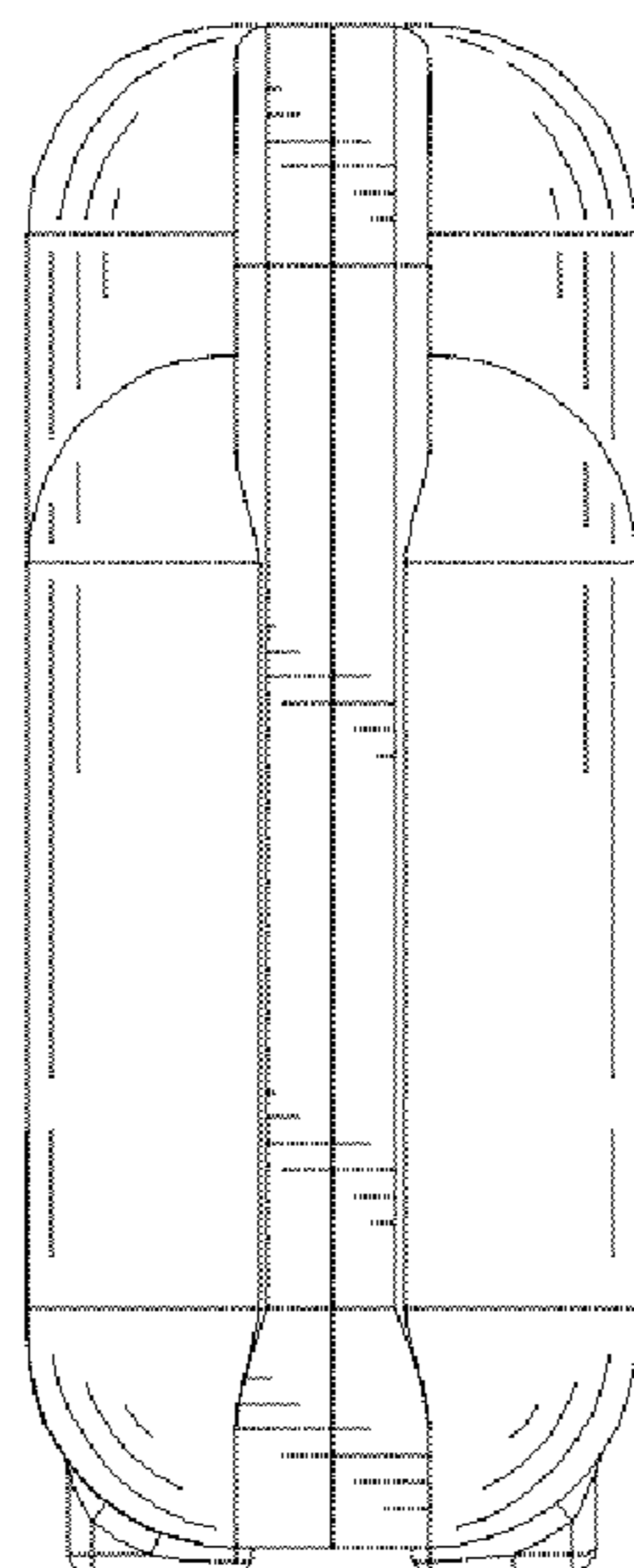


Fig. 5

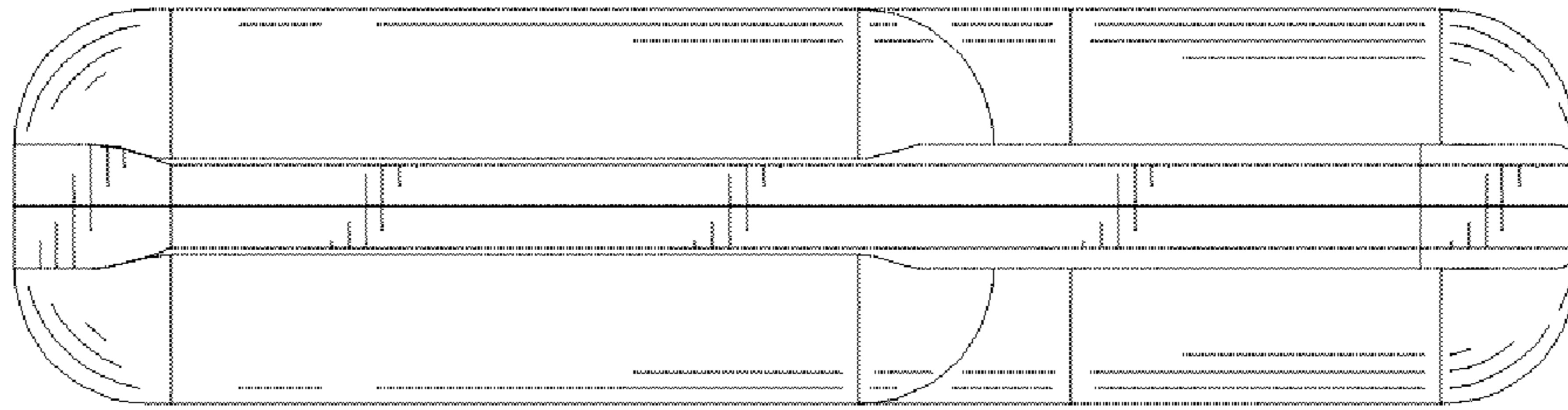


Fig. 6

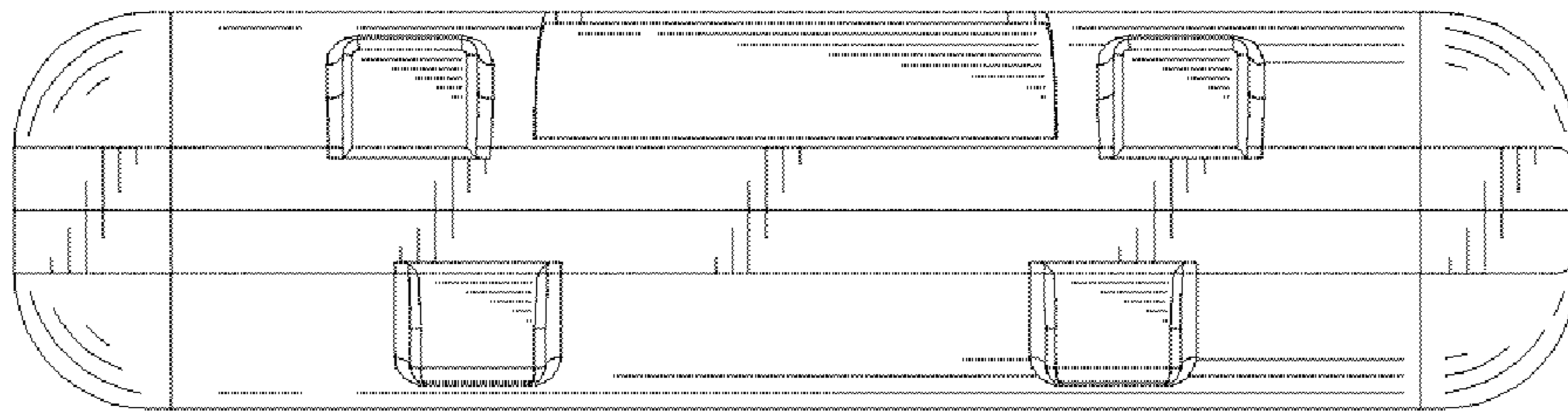


Fig. 7