



US00D555354S

(12) **United States Design Patent**
Chen

(10) **Patent No.:** **US D555,354 S**

(45) **Date of Patent:** **** Nov. 20, 2007**

(54) **TOOL HOLDER**

D456,990 S * 5/2002 Lusty D3/228

* cited by examiner

(76) **Inventor:** **Tsai-Ching Chen**, No. 202, Lane 330,
Sec. 7, Chang Lu Road, Fu Hsing
Shiang, Chang Hua Hsien (TW)

Primary Examiner—Catherine R. Oliver

(74) *Attorney, Agent, or Firm*—Alan Kamrath; Kamrath &
Associates, PA

(**) **Term:** **14 Years**

(57) **CLAIM**

(21) **Appl. No.:** **29/275,959**

The ornamental design for tool holder, as shown and
described.

(22) **Filed:** **Jan. 10, 2007**

(51) **LOC (8) Cl.** **03-01**

DESCRIPTION

(52) **U.S. Cl.** **D3/228**

FIG. 1 is a perspective view of a tool holder showing my
new design;

(58) **Field of Classification Search** D3/228,
D3/226, 224, 221; 206/372–375; 224/240,
224/241, 245, 219, 222, 269

FIG. 2 is a front view thereof;

See application file for complete search history.

FIG. 3 is a rear view thereof;

(56) **References Cited**

U.S. PATENT DOCUMENTS

D319,732 S * 9/1991 Gumbs D3/224

D383,495 S * 9/1997 Mollet D3/228

D443,411 S * 6/2001 Snider et al. D3/228

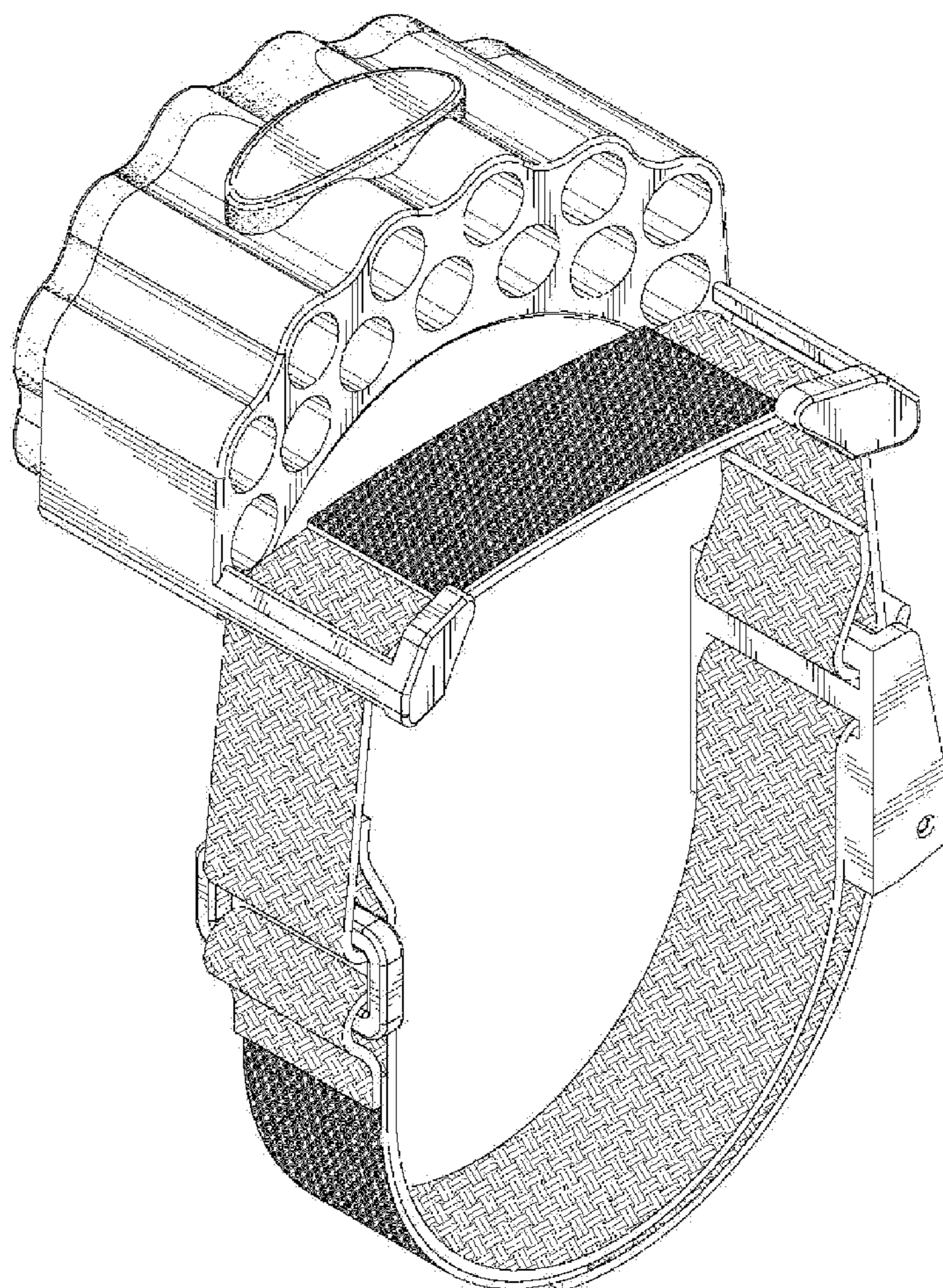
FIG. 4 is a left view thereof;

FIG. 5 is a right view thereof;

FIG. 6 is a top view thereof; and,

FIG. 7 is a bottom view thereof.

1 Claim, 4 Drawing Sheets



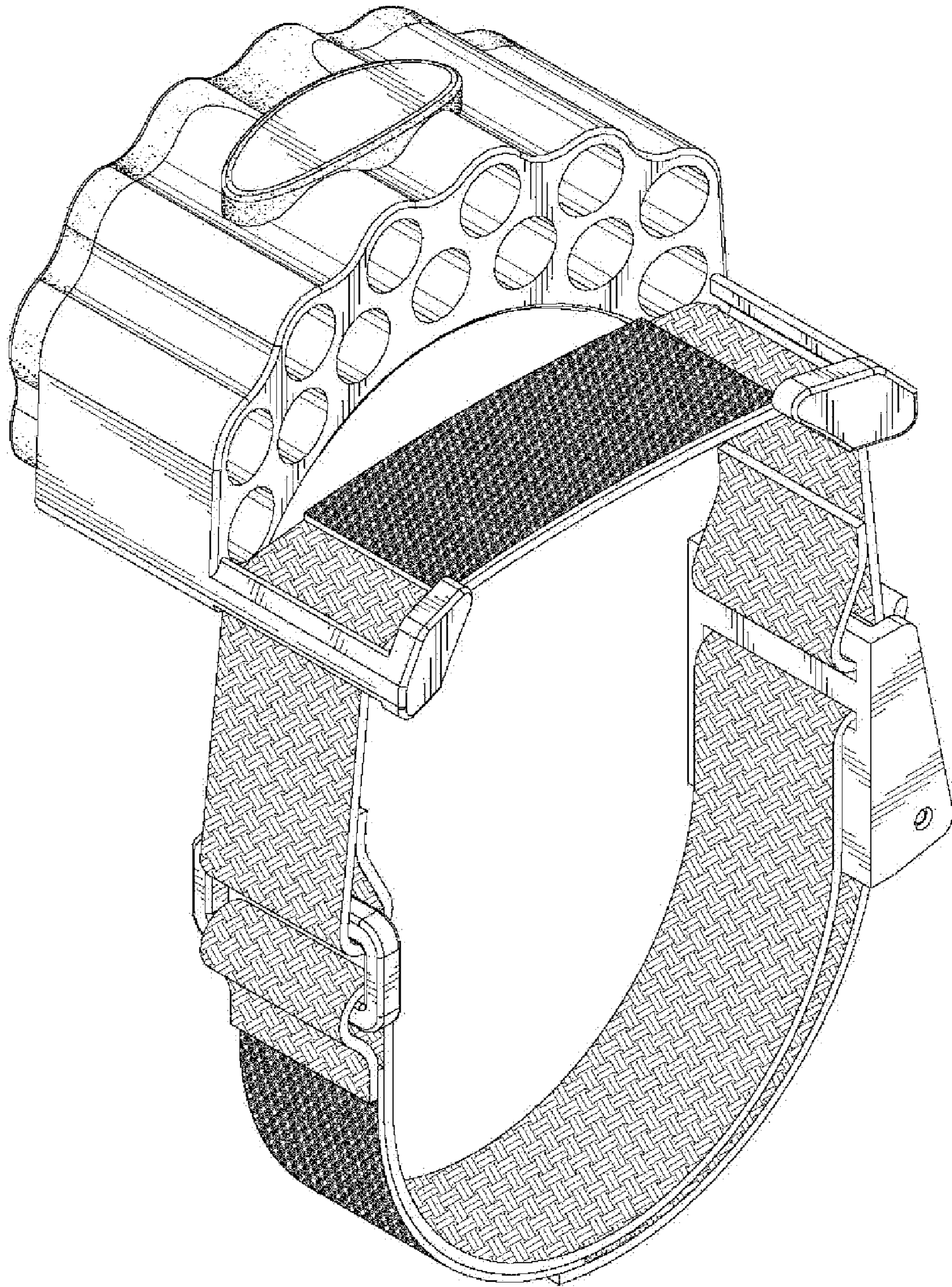


Fig. 1

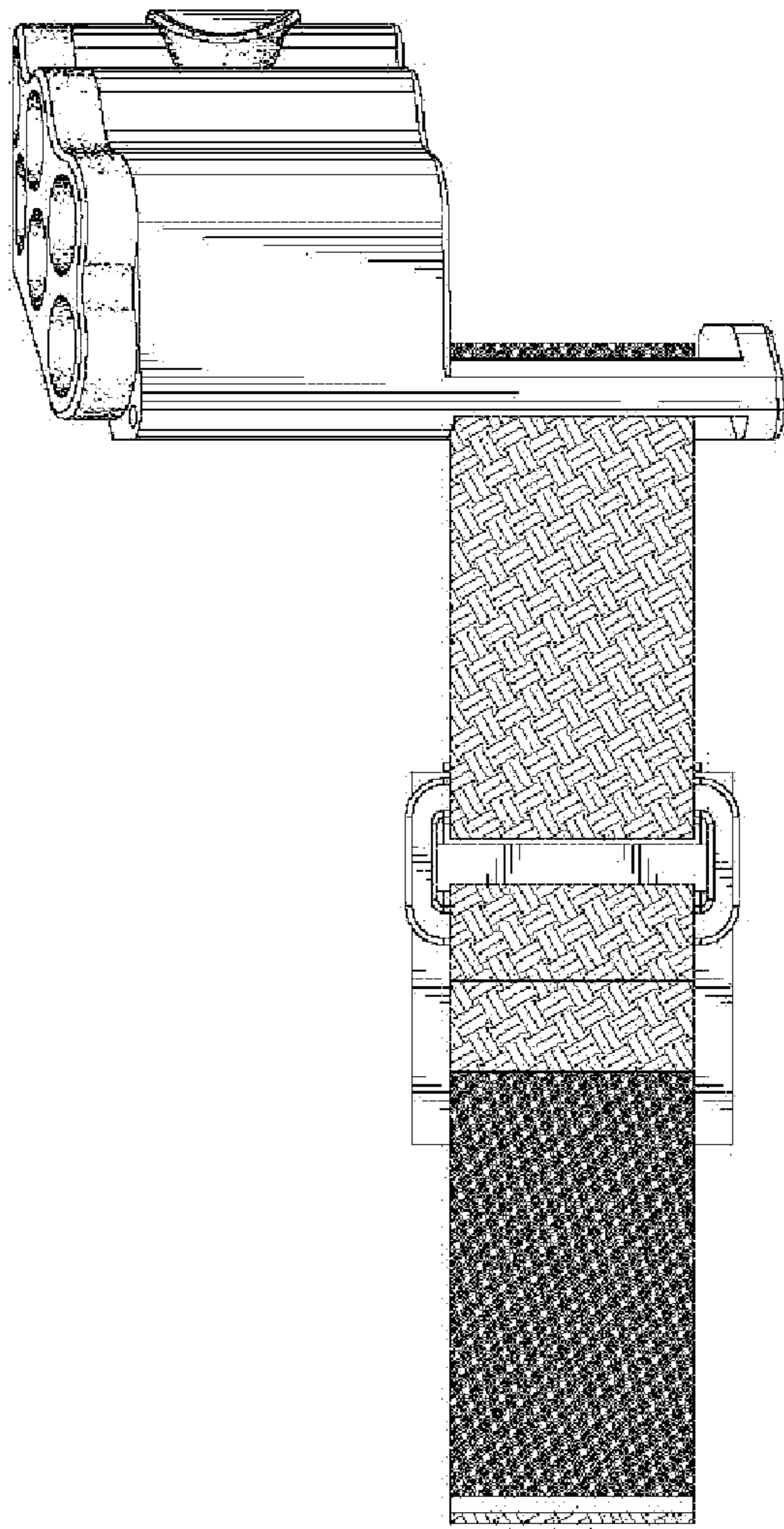


Fig. 2

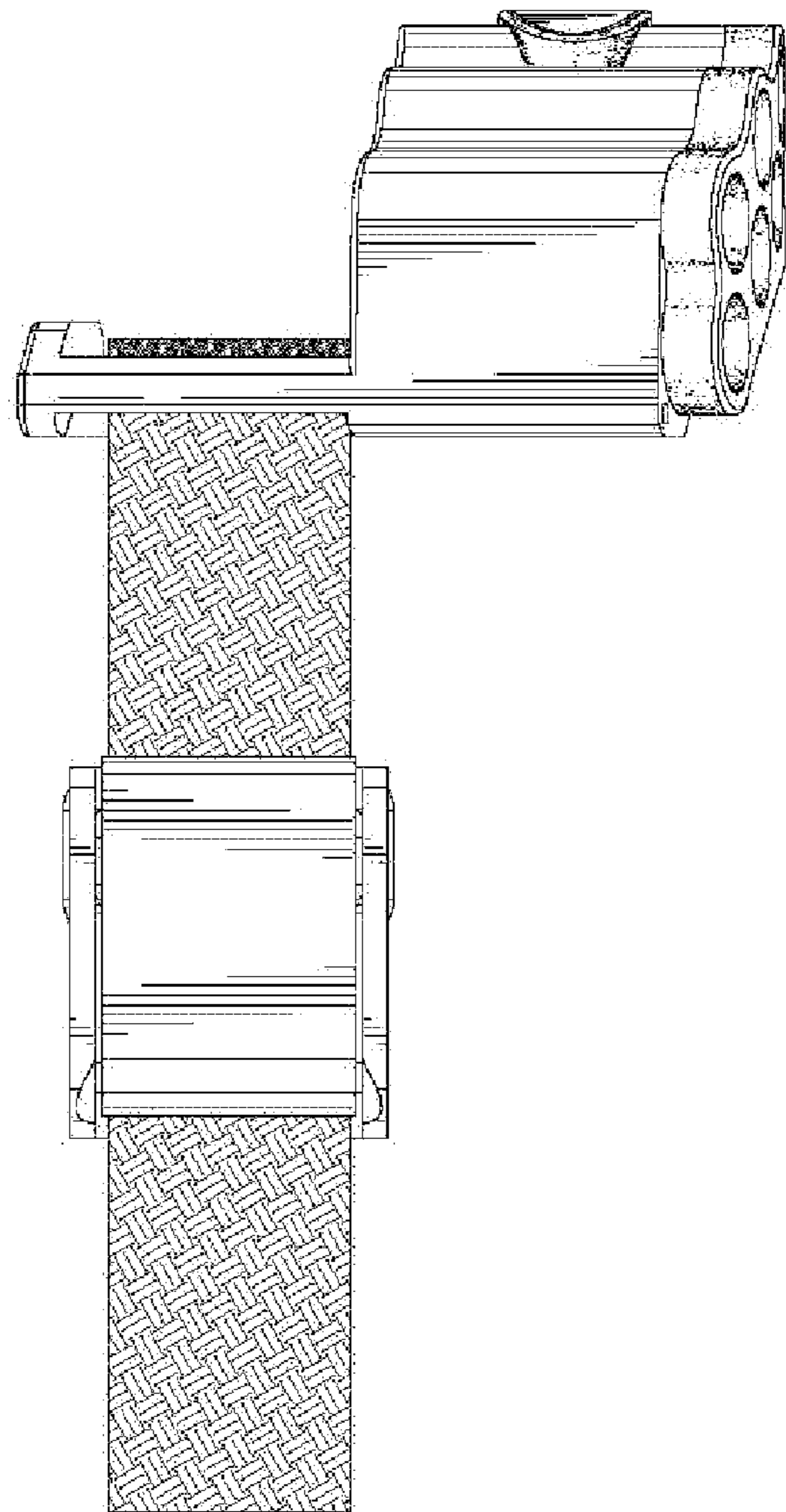


Fig. 3

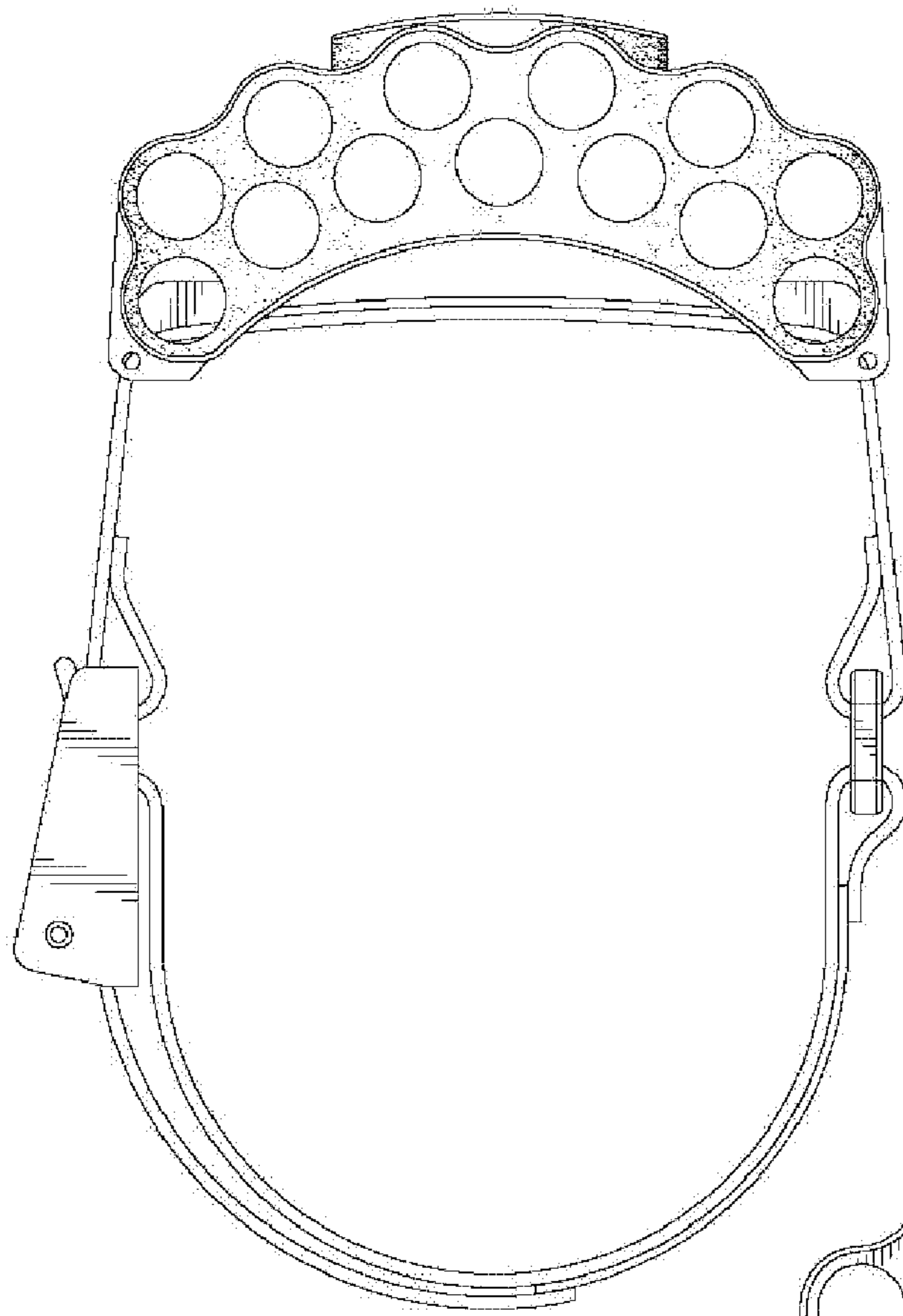


Fig. 4

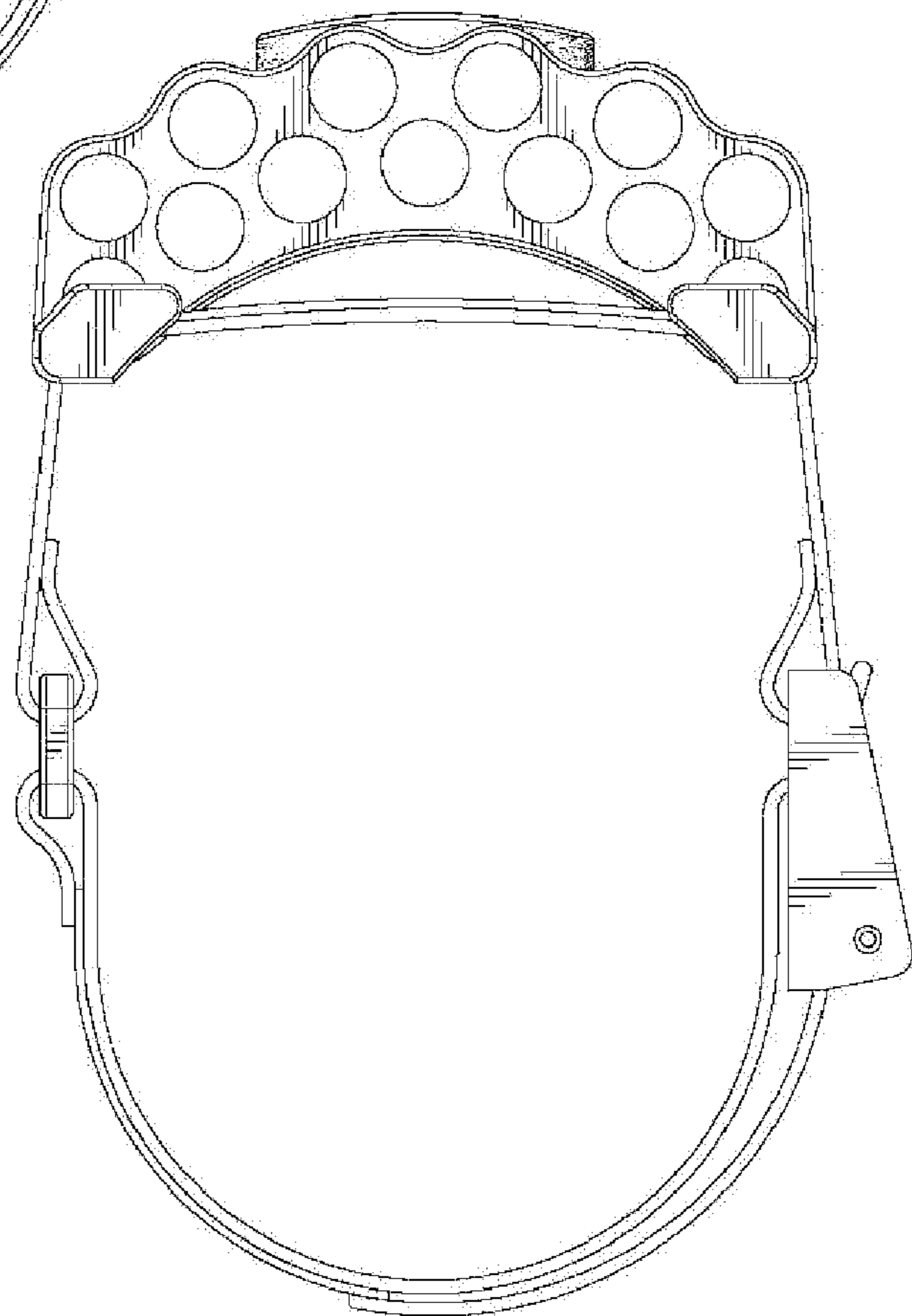


Fig. 5

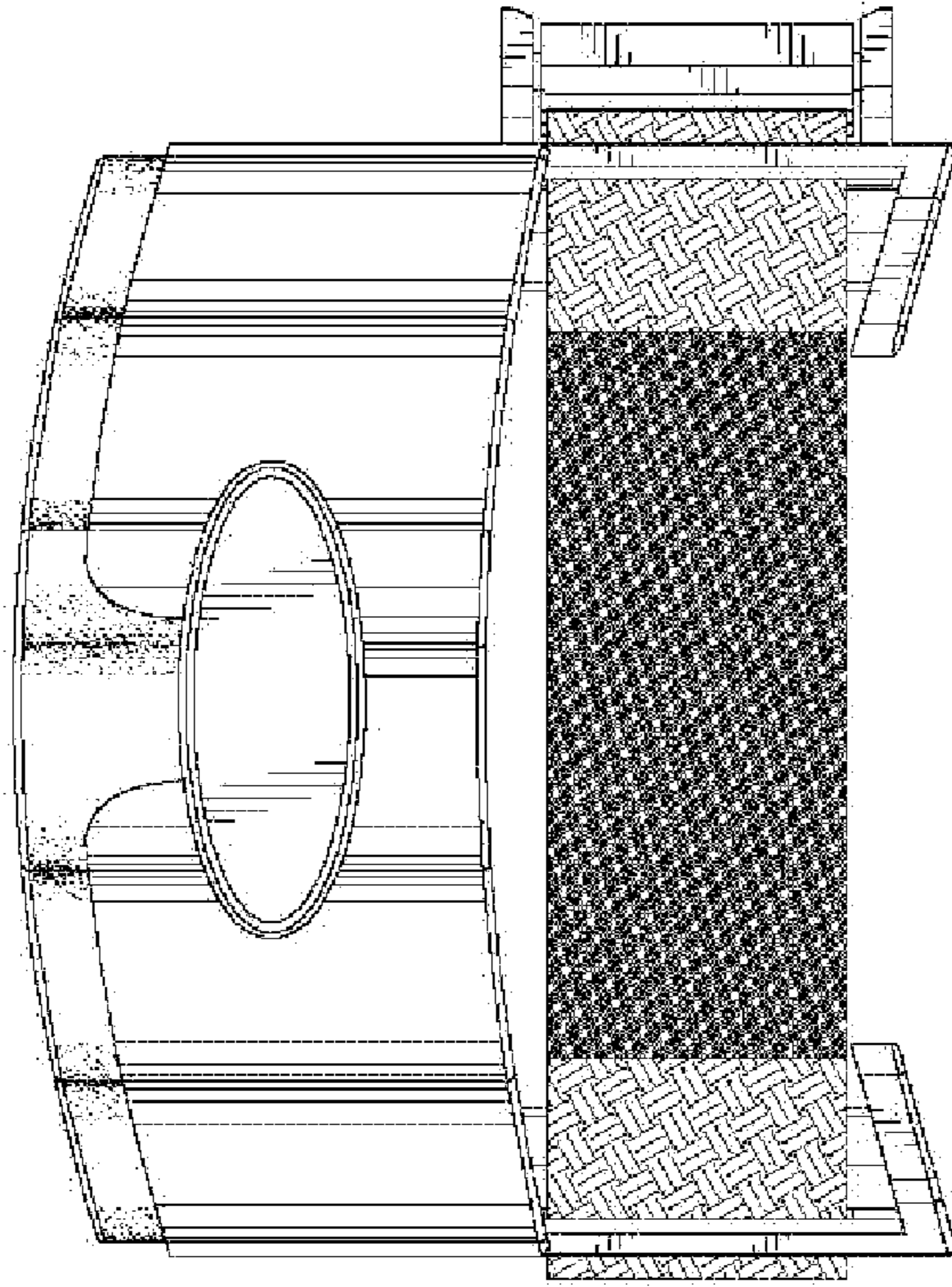


Fig. 6

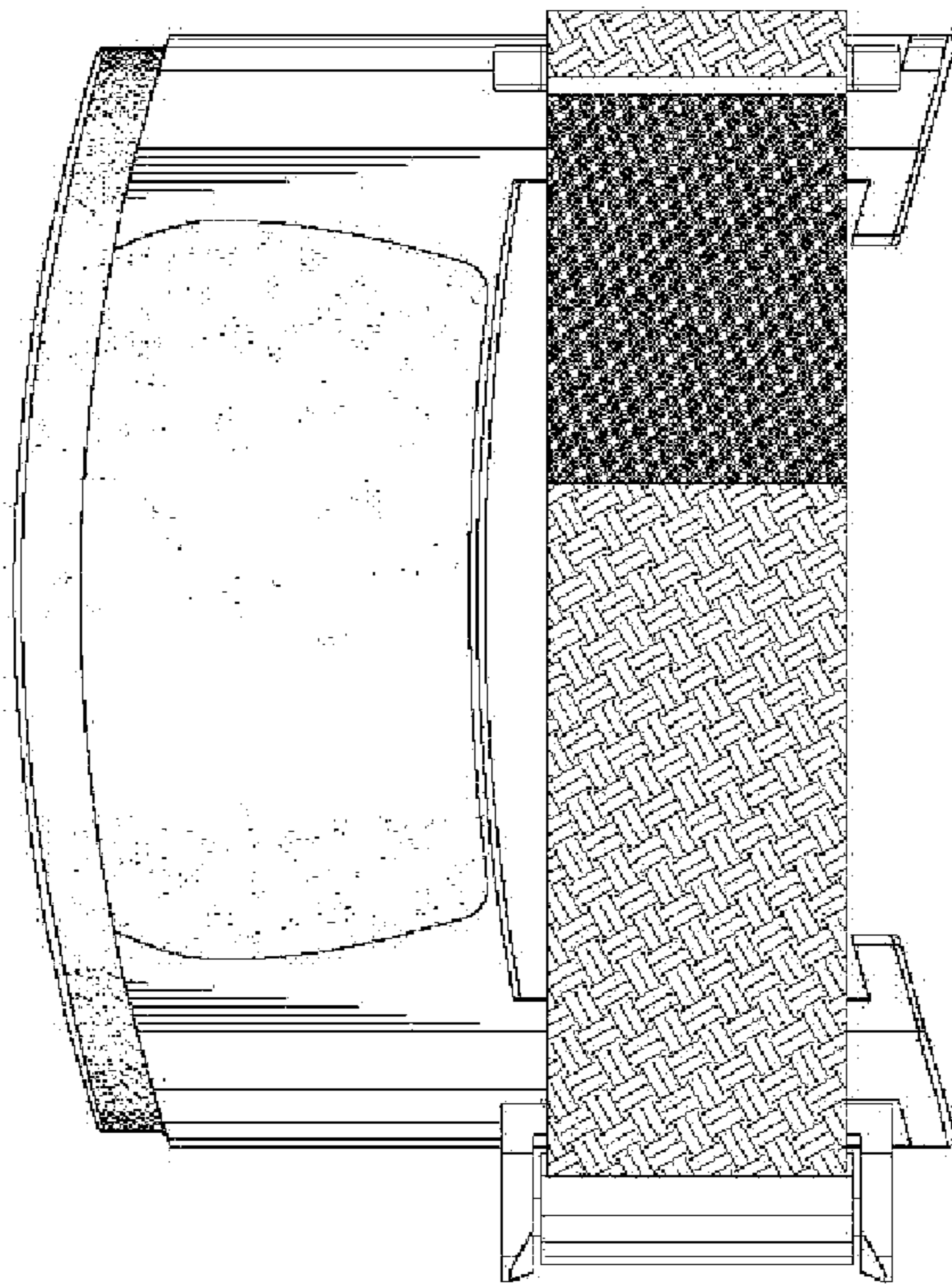


Fig. 7