



US00D555353S

(12) **United States Design Patent**  
**Kennedy**

(10) **Patent No.:** **US D555,353 S**

(45) **Date of Patent:** **\*\* Nov. 20, 2007**

(54) **WRIST BAND DEVICE HOLDER**

2005/0172379 A1\* 8/2005 Bush et al. .... 2/170

(75) Inventor: **Carl Kennedy**, Getzville, NY (US)

\* cited by examiner

(73) Assignee: **Anew LLC**, Getzville, NY (US)

*Primary Examiner*—Catherine R. Oliver

(74) *Attorney, Agent, or Firm*—Kloss, Stenger, Kroll +  
LoTempio; Vincent G. LoTempio

(\*\*) Term: **14 Years**

(57) **CLAIM**

(21) Appl. No.: **29/269,084**

The ornamental design for a wrist band device holder, as shown and described.

(22) Filed: **Nov. 20, 2006**

**DESCRIPTION**

(51) **LOC (8) Cl.** ..... **03-01**

FIG. 1 is a perspective view of the wrist band device holder showing my design in use with a phone depicted in broken line;

(52) **U.S. Cl.** ..... **D3/218**

FIG. 2 is a front view of my design;

(58) **Field of Classification Search** ..... D3/218,  
D3/215, 224, 226, 228; 2/16, 170, 321, 123,  
2/60, 162; 40/633; 224/164–171, 219–222

FIG. 3 is a left side view of my design;

See application file for complete search history.

FIG. 4 is a right side view of my design;

FIG. 5 is a rear elevation view of my design;

(56) **References Cited**

FIG. 6 is a top plan view of my design; and,

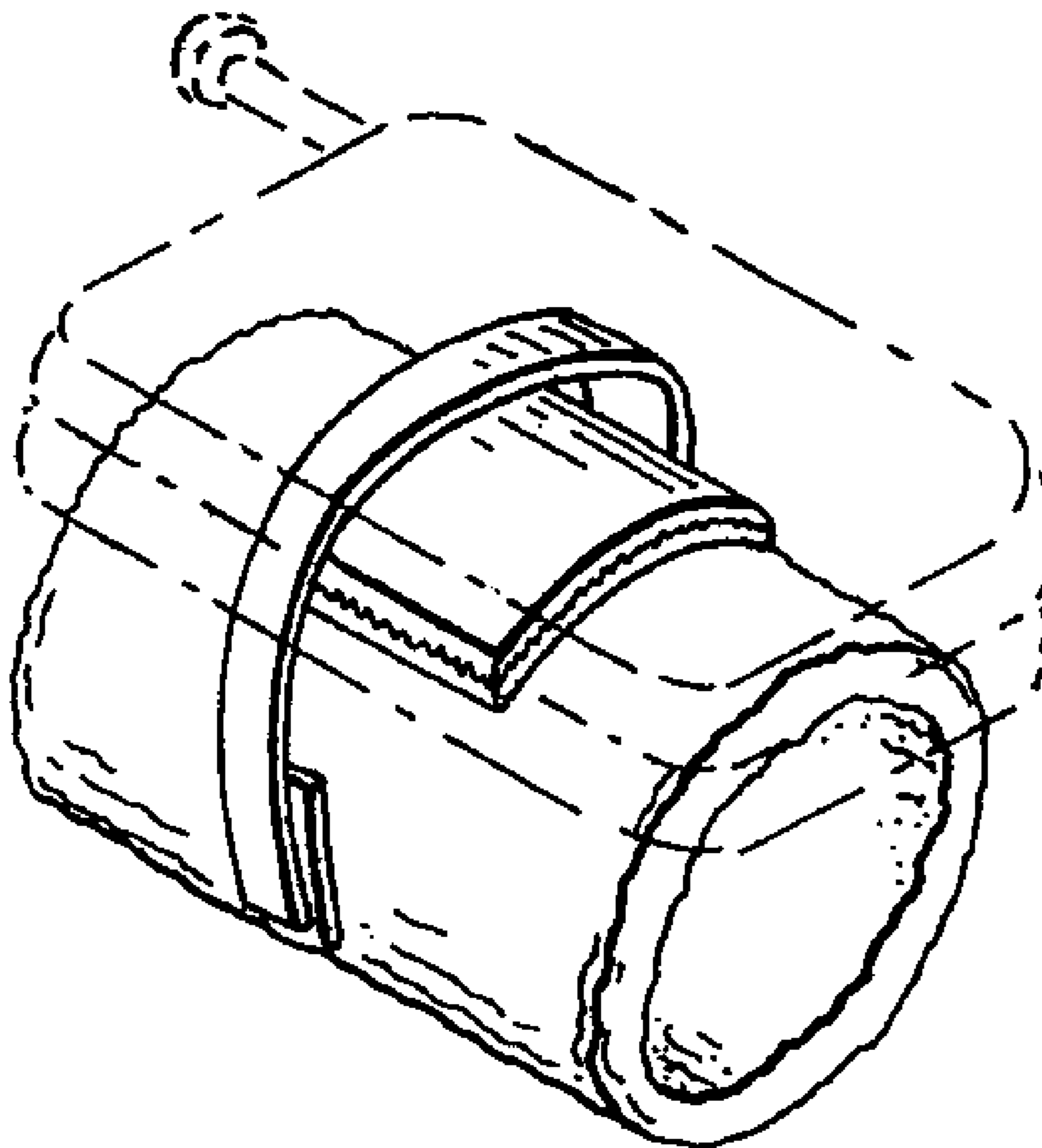
**U.S. PATENT DOCUMENTS**

FIG. 7 is a bottom plan view of my design.

5,511,702 A	4/1996	Yang	.....	224/219
5,921,949 A *	7/1999	Dray	.....	2/162
6,199,730 B1 *	3/2001	Chisolm	.....	224/164
6,807,680 B2 *	10/2004	Sloot	.....	2/16
D506,058 S	6/2005	Sexson	.....	D3/218
D526,777 S	8/2006	Andre et al.	.....	D3/218

The broken line showing of environment in the drawings is for illustrative purposes only and forms no part of the claimed design.

**1 Claim, 1 Drawing Sheet**



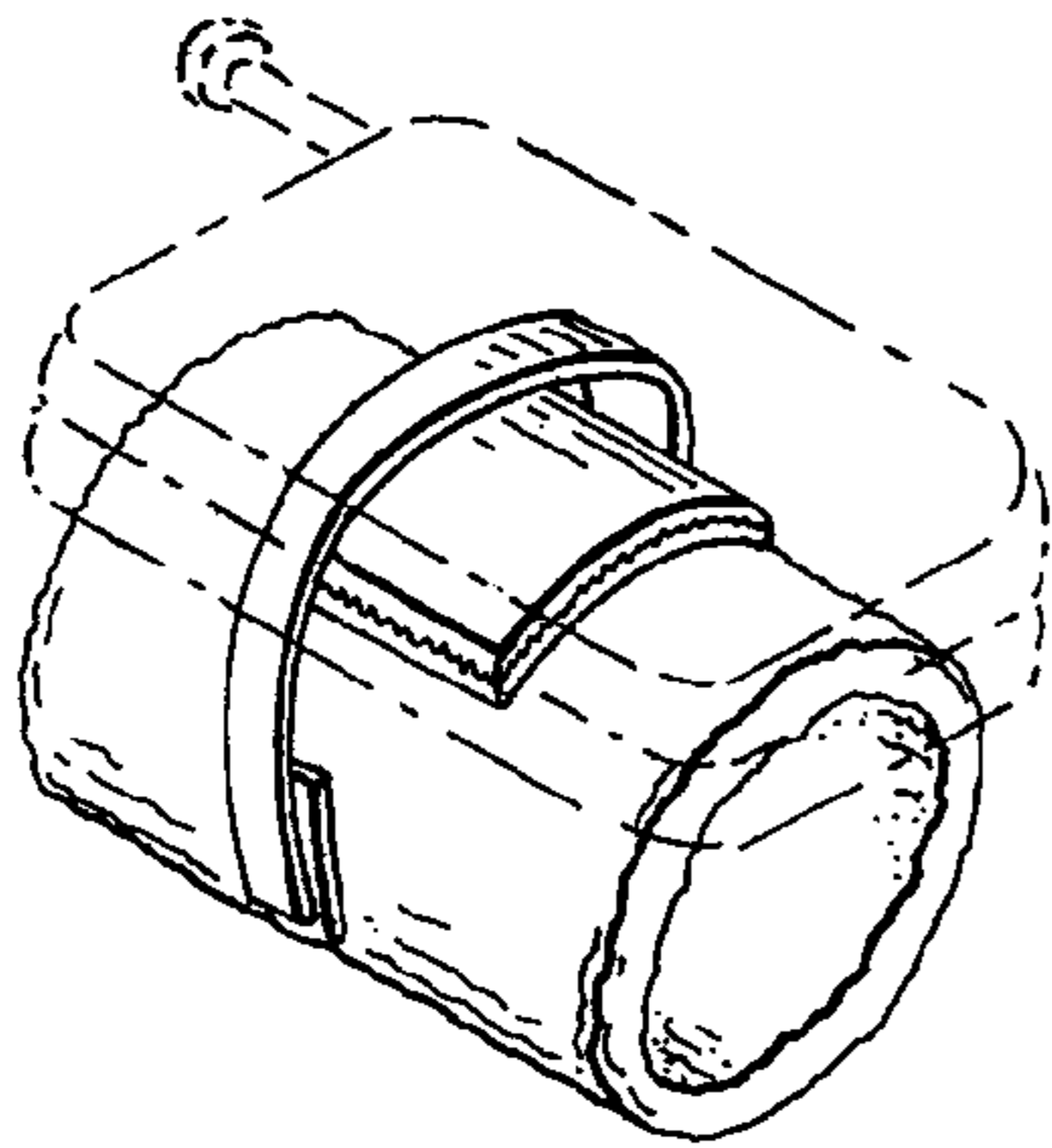


FIG. 1

FIG. 2

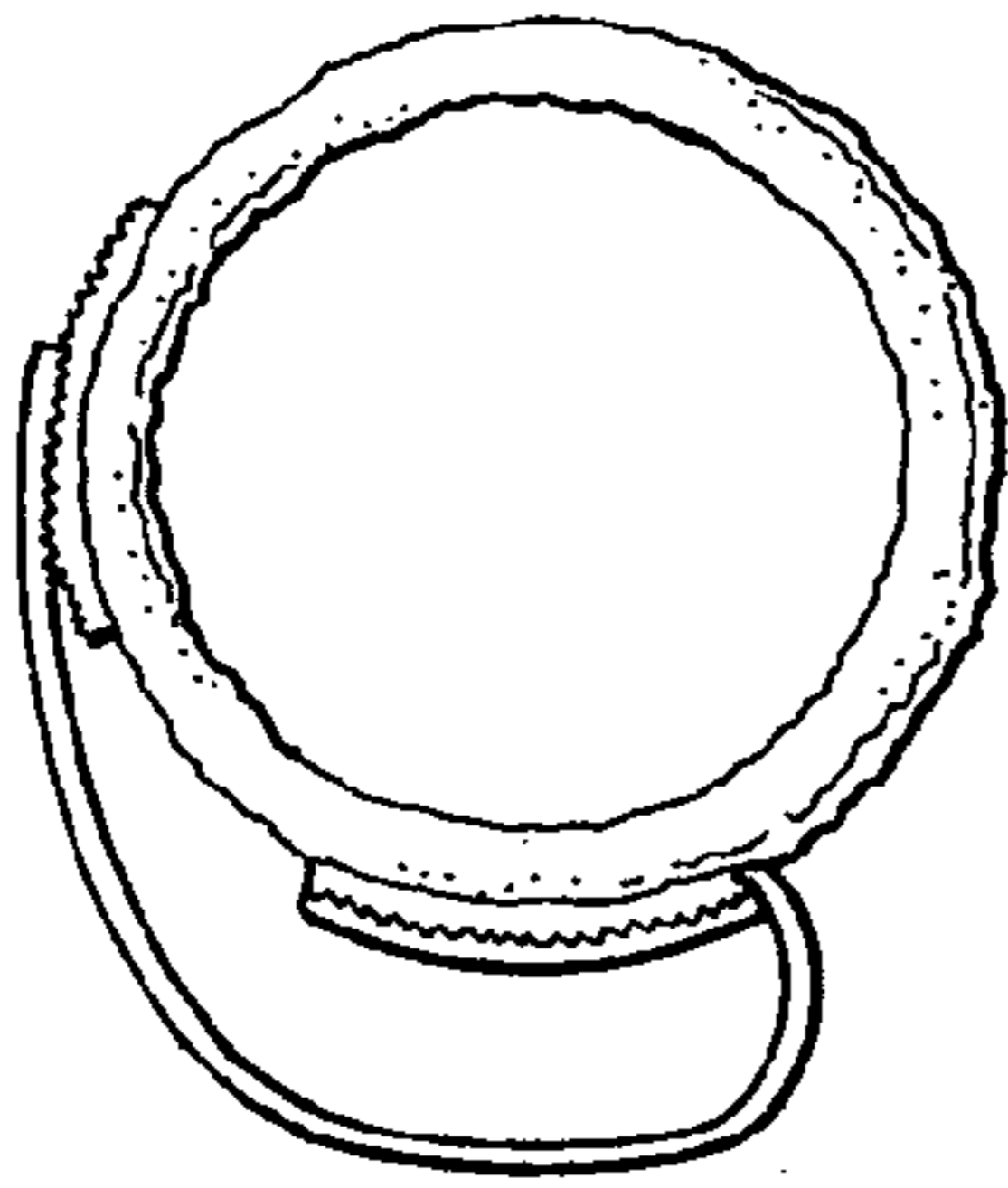
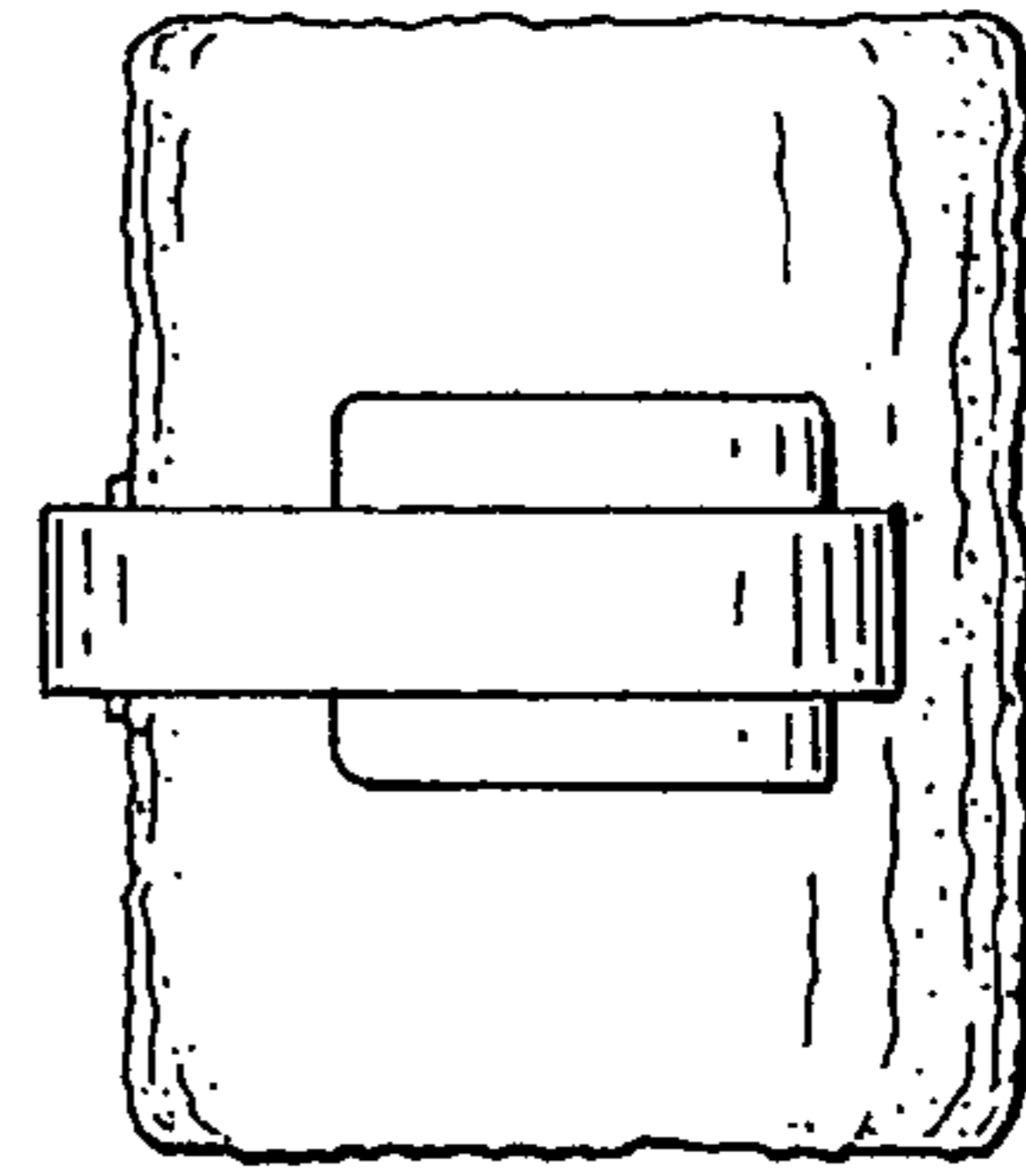


FIG. 6

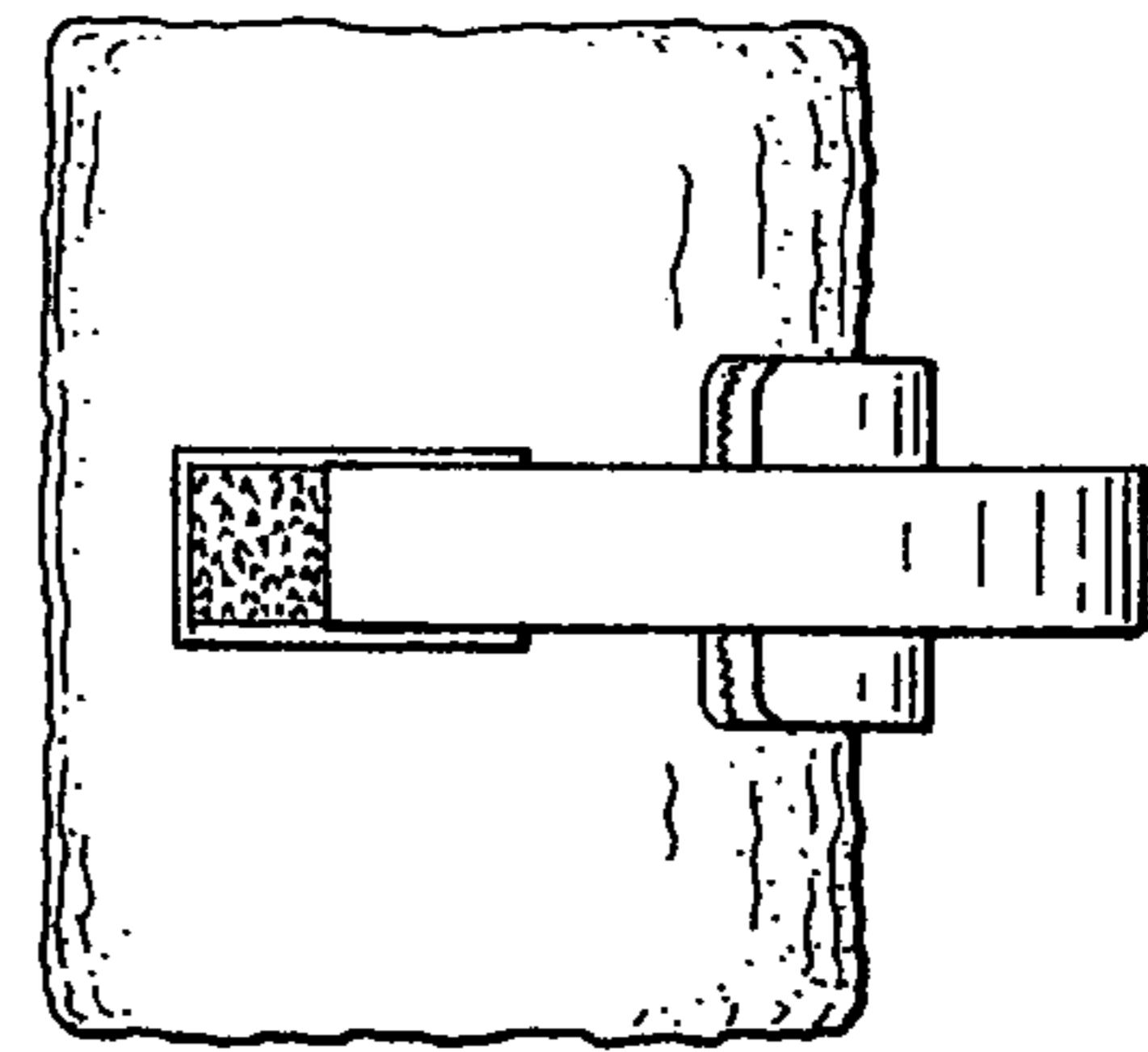


FIG. 3

FIG. 7

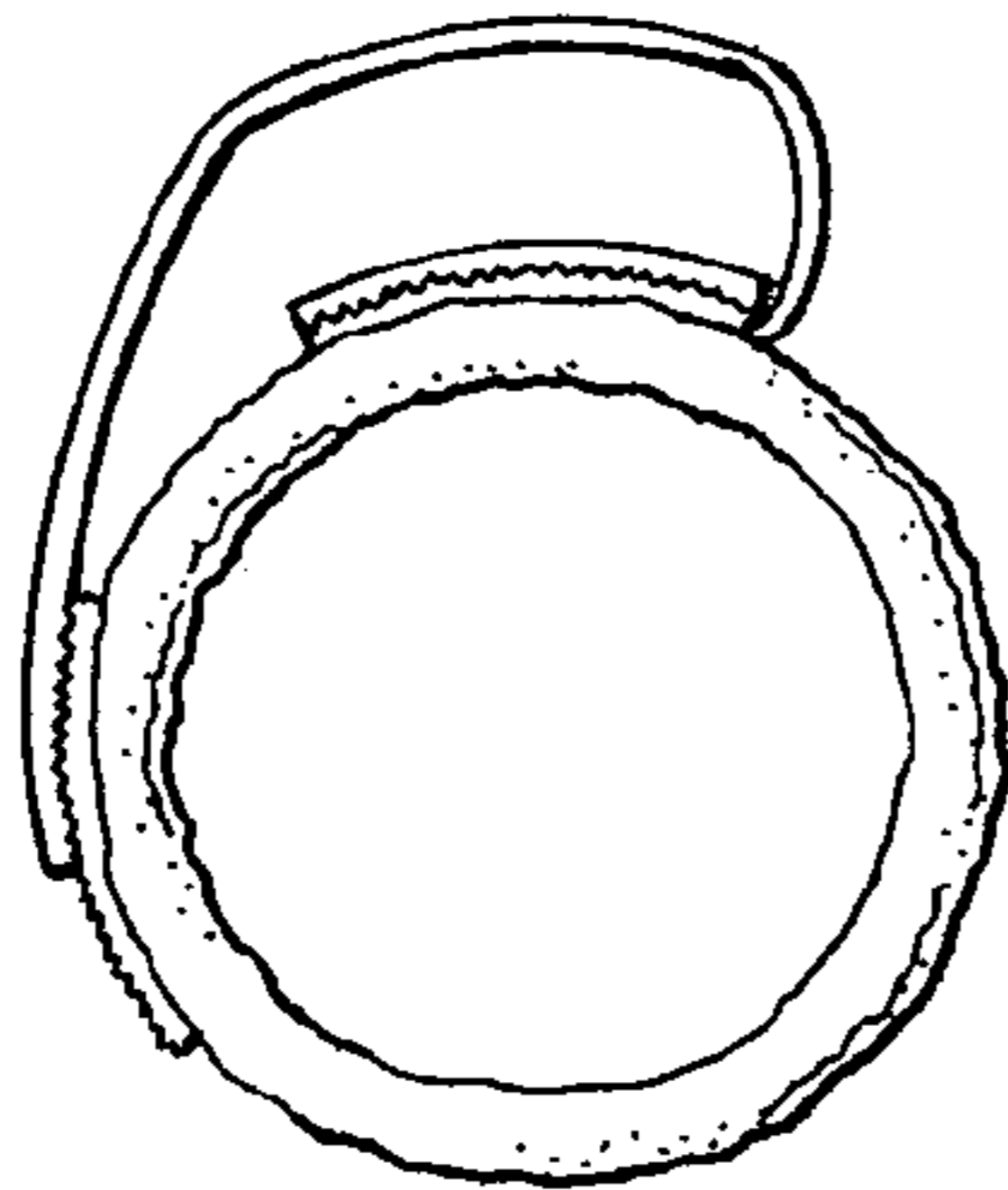


FIG. 4

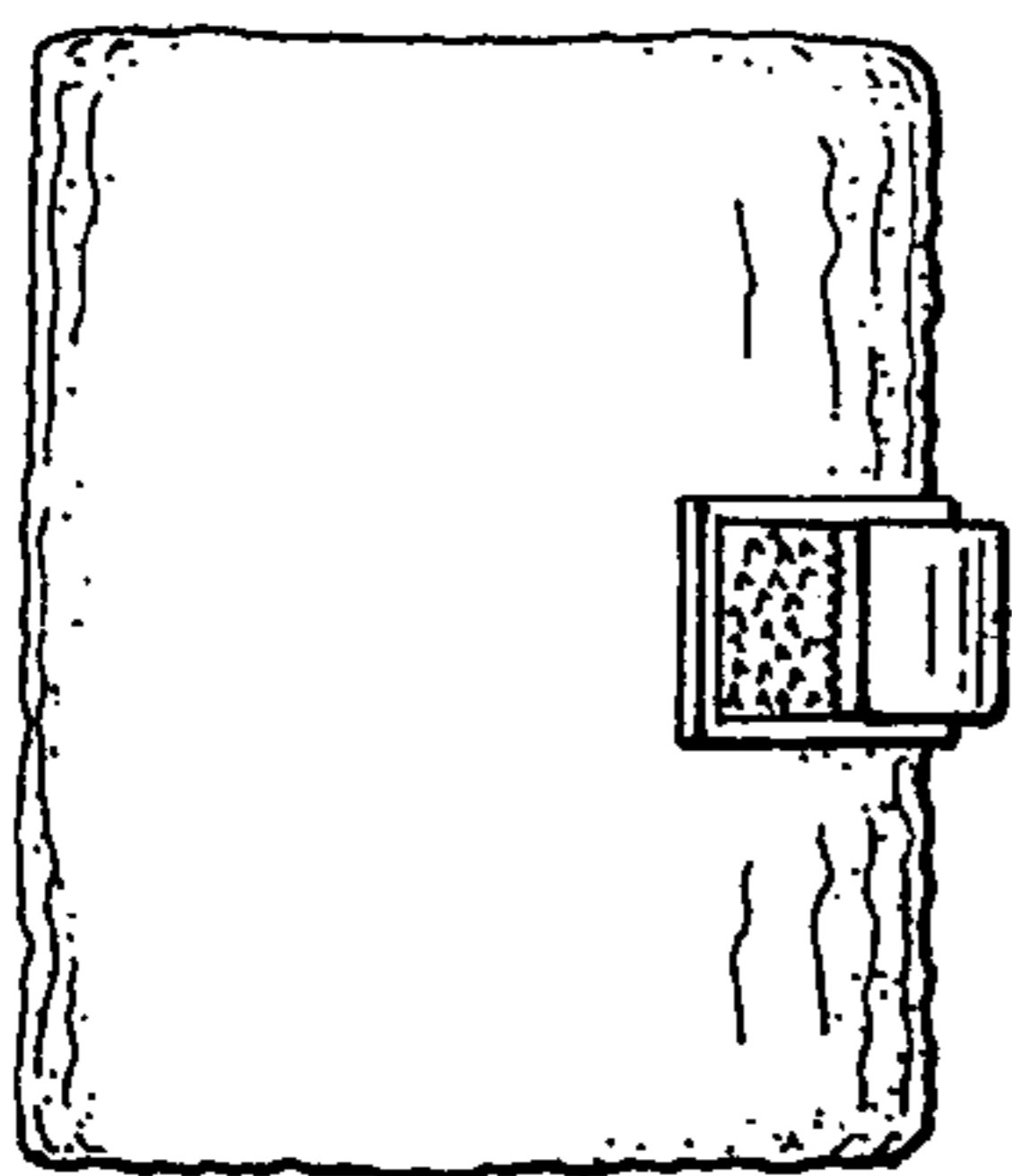


FIG. 5

