



US00D555349S

(12) **United States Design Patent**
You

(10) **Patent No.:** **US D555,349 S**

(45) **Date of Patent:** **** Nov. 20, 2007**

(54) **MULTIPLE COLLAPSIBLE UMBRELLA**

2006/0118153 A1* 6/2006 Ko 135/25.3
2006/0207639 A1* 9/2006 Ko 135/25.3

(76) Inventor: **Ching-Chuan You**, Rm. 532, 5Fl. No.
144, Ming Chuan E. Rd., Sec. 3 P.O.
Box 1-79, Taipei (TW) 105

* cited by examiner

Primary Examiner—Lou Zarfaz
Assistant Examiner—Anhdao Doan

(**) Term: **14 Years**

(21) Appl. No.: **29/272,741**

(57) **CLAIM**

(22) Filed: **Feb. 16, 2007**

The ornamental design for a multiple collapsible umbrella,
as shown.

(51) **LOC (8) Cl.** **03-03**

(52) **U.S. Cl.** **D3/5**

(58) **Field of Classification Search** D3/5,
D3/6, 10; 135/15.1, 20.1, 20.2, 22, 23, 25.1,
135/25.3, 25.31, 25.32, 25.4, 31, 15, 16,
135/98, 99; 297/184.16

See application file for complete search history.

DESCRIPTION

FIG. 1 is a perspective view of the multiple collapsible
umbrella of this invention;

FIG. 2 is a front view thereof;

FIG. 3 is a rear view thereof;

FIG. 4 is a left view thereof;

FIG. 5 is a right view thereof;

FIG. 6 is a top view thereof; and,

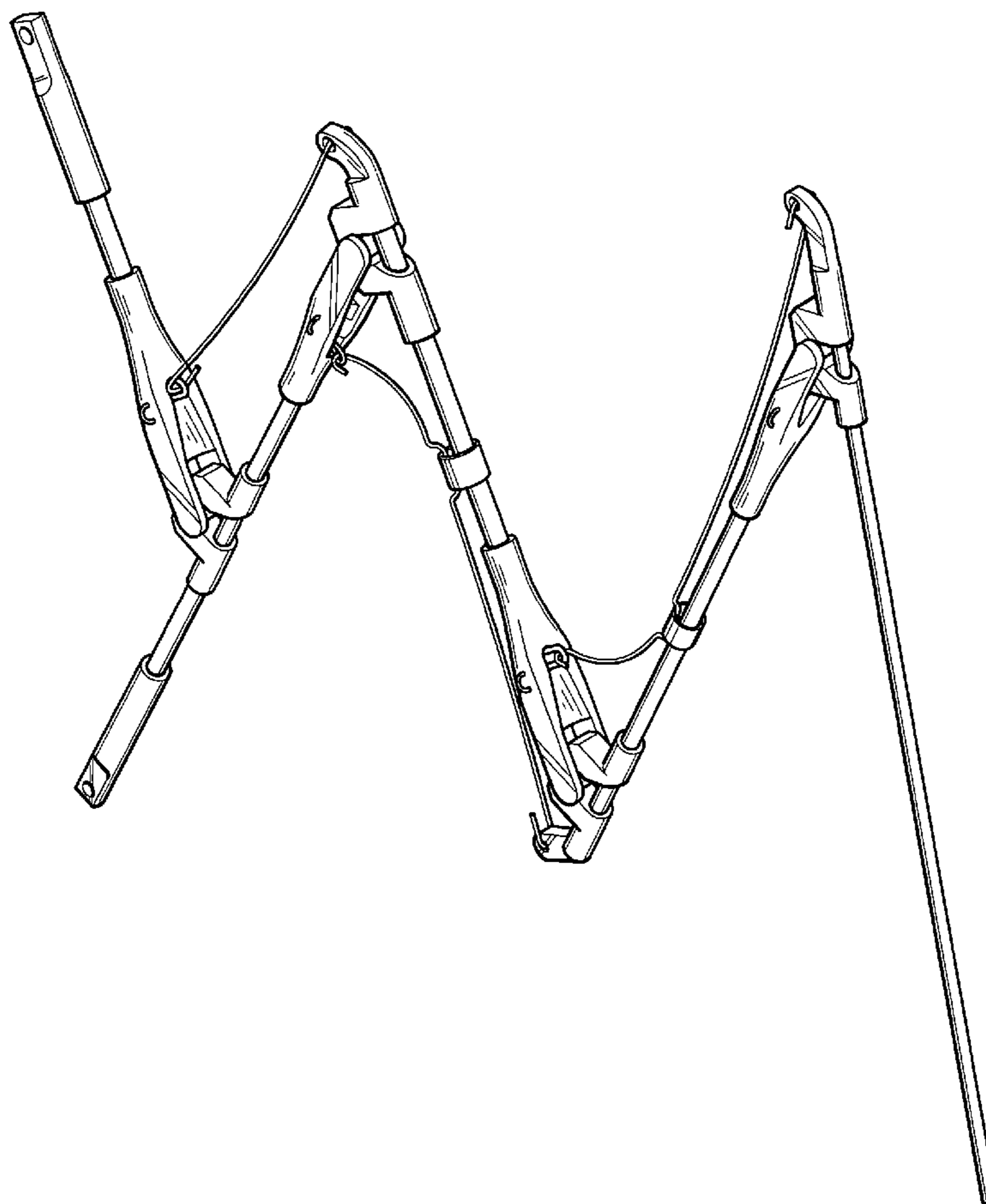
FIG. 7 is a bottom view thereof.

(56) **References Cited**

U.S. PATENT DOCUMENTS

6,338,353 B1* 1/2002 Chen 135/20.3
D489,170 S * 5/2004 You D3/10
D515,803 S * 2/2006 You D3/10
2005/0126613 A1* 6/2005 Chen 135/25.3

1 Claim, 5 Drawing Sheets



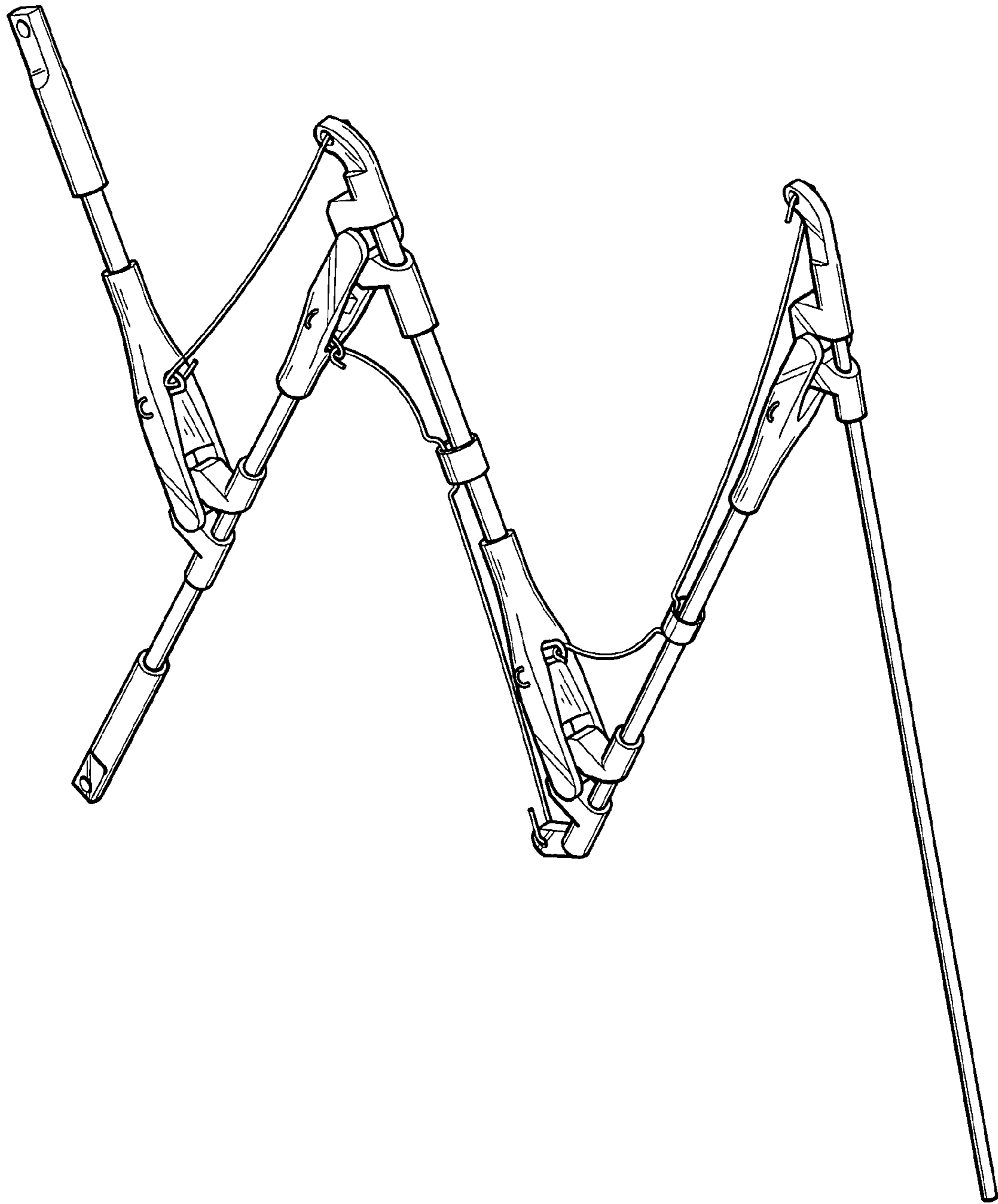


FIG. 1

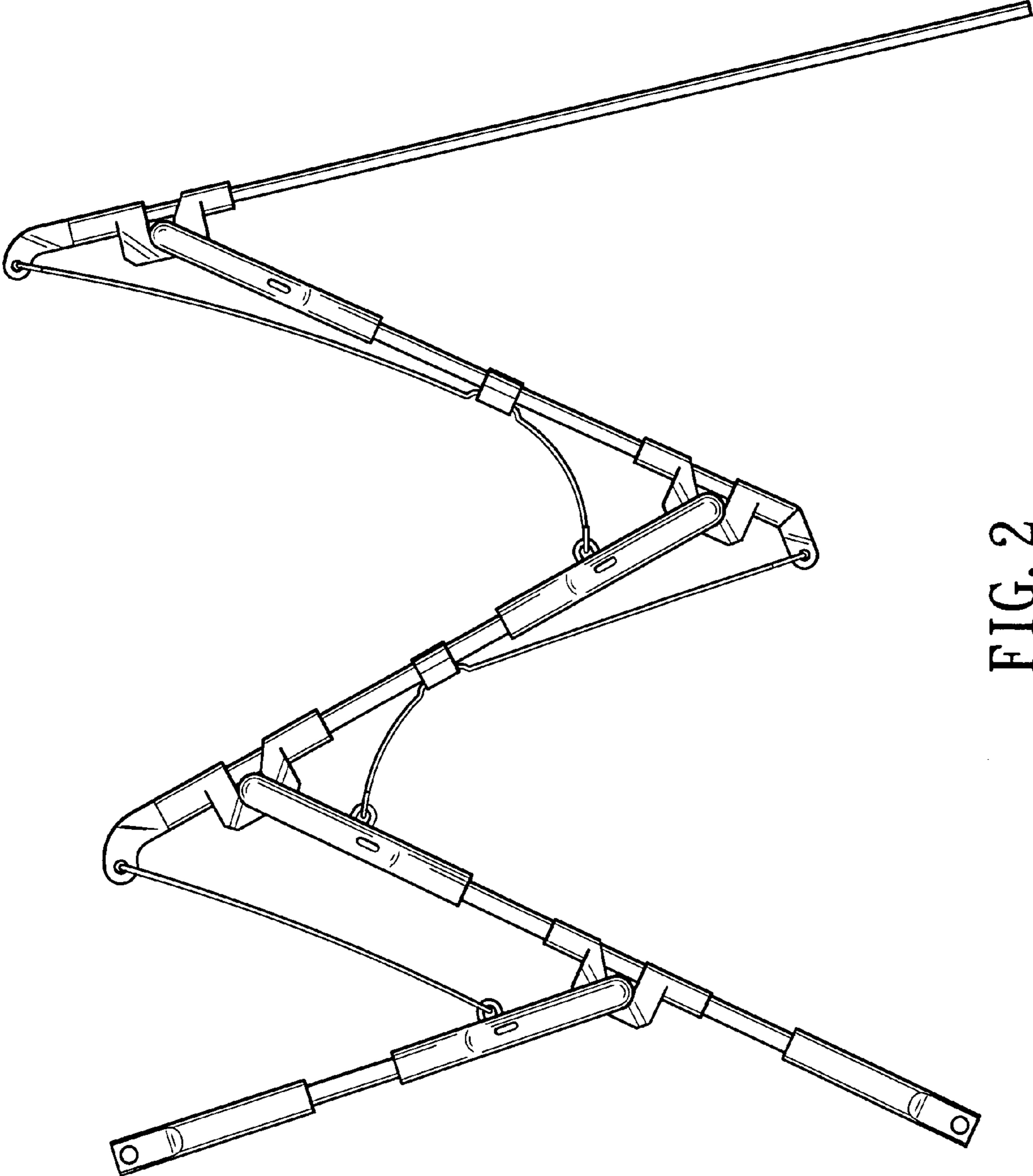


FIG. 2

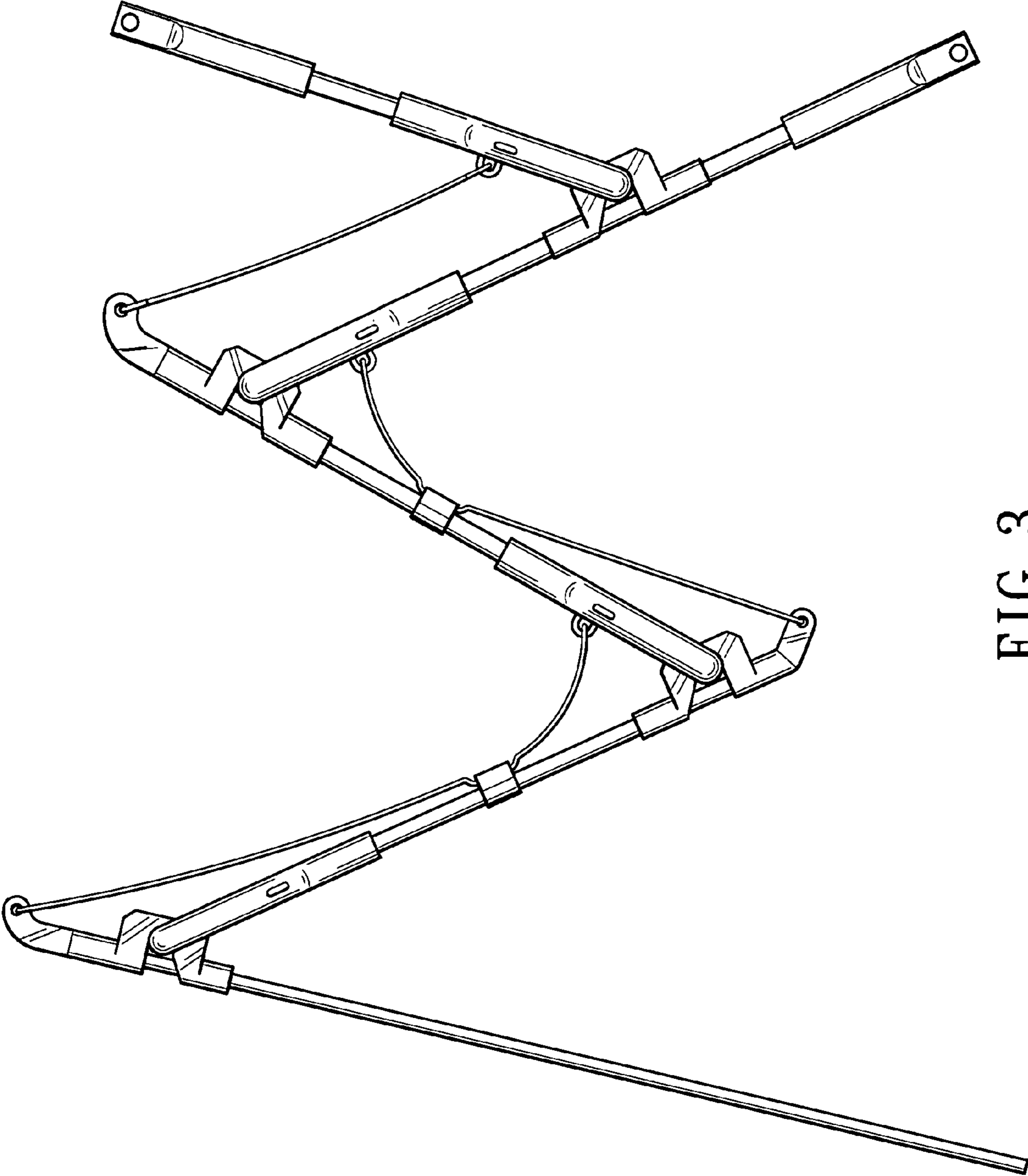


FIG. 3

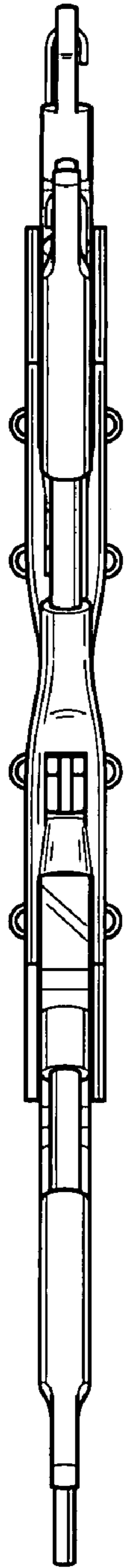


FIG. 4

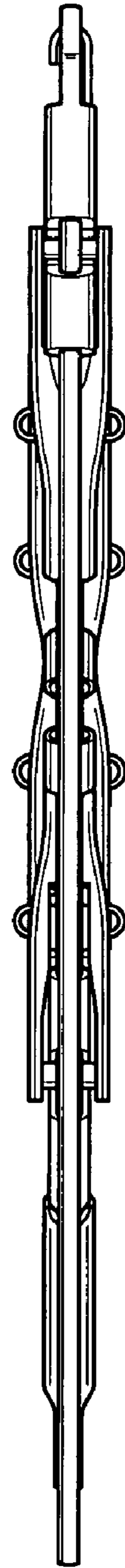


FIG. 5

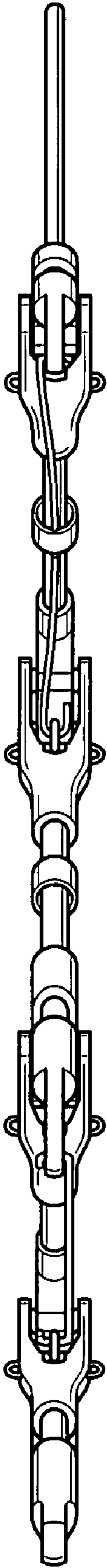


FIG. 6

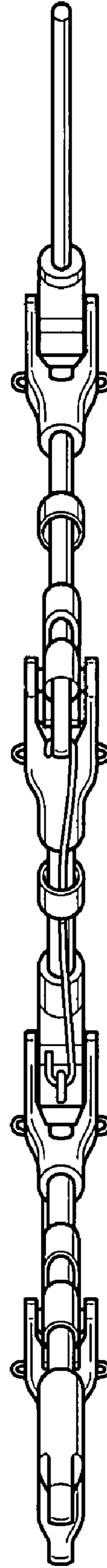


FIG. 7