



US00D555337S

(12) **United States Design Patent**
Feller

(10) **Patent No.:** **US D555,337 S**

(45) **Date of Patent:** **** Nov. 20, 2007**

(54) **FOOTWEAR OUTSOLE**

(75) Inventor: **Craig Feller**, Evergreen, CO (US)

(73) Assignee: **Ariat International, Inc.**, Union City, CA (US)

(**) Term: **14 Years**

(21) Appl. No.: **29/244,031**

(22) Filed: **Dec. 2, 2005**

(51) **LOC (8) Cl.** **02-04**

(52) **U.S. Cl.** **D2/947; D2/946; D2/952**

(58) **Field of Classification Search** D2/897,
D2/898, 902, 908, 916, 919, 947, 949, 951-961,
D2/977; 36/3 B, 8.3, 22 R, 24.5, 25 R, 28,
36/29, 32 R, 59 C, 103

See application file for complete search history.

(56) **References Cited**

U.S. PATENT DOCUMENTS

546,183 A *	9/1895	Hilton et al.	36/76 R
D35,569 S *	1/1902	Busky	D2/947
899,182 A *	9/1908	Naughton	36/151
D49,736 S *	10/1916	Brown	D2/947
1,410,338 A *	3/1922	Martin	36/149
2,031,645 A *	2/1936	Hadaway	36/17 R
D121,671 S *	7/1940	Cocozella	D2/965
D163,960 S *	7/1951	Oakley	D2/951
D255,618 S *	7/1980	Artstein	D2/950
D265,692 S *	8/1982	Famolare, Jr.	D2/950
D266,798 S *	11/1982	Famolare, Jr.	D2/950
D331,488 S *	12/1992	Norton et al.	D2/951
D354,615 S	1/1995	Parker	
D356,208 S	3/1995	Parker	
D365,434 S	12/1995	Parker	
D365,435 S	12/1995	Parker	

D365,436 S	12/1995	Parker	
D369,016 S	4/1996	Parker	
D373,896 S	9/1996	Parker	
D384,492 S	10/1997	Parker	
D390,344 S *	2/1998	Elliott	D2/947
5,720,117 A	2/1998	Toschi	
D398,438 S	9/1998	De Baere	
D399,039 S	10/1998	Toschi	
D404,190 S	1/1999	Toschi	
D427,755 S *	7/2000	Tresser	D2/955
D443,129 S	6/2001	Tresser	
D453,989 S *	3/2002	Cagner	D2/959
6,497,057 B1	12/2002	Lee et al.	
D482,184 S	11/2003	Gordon	
D487,618 S *	3/2004	Amado et al.	D2/960
D501,708 S	2/2005	Andrews-Kramer	
D502,308 S *	3/2005	Teague	D2/957
D504,205 S	4/2005	Andrews-Kramer	
D506,306 S	6/2005	Teague	

* cited by examiner

Primary Examiner—Celia A. Murphy

(74) *Attorney, Agent, or Firm*—Cooley Godward Kronish LLP

(57) **CLAIM**

The ornamental design for a footwear outsole, as shown and described.

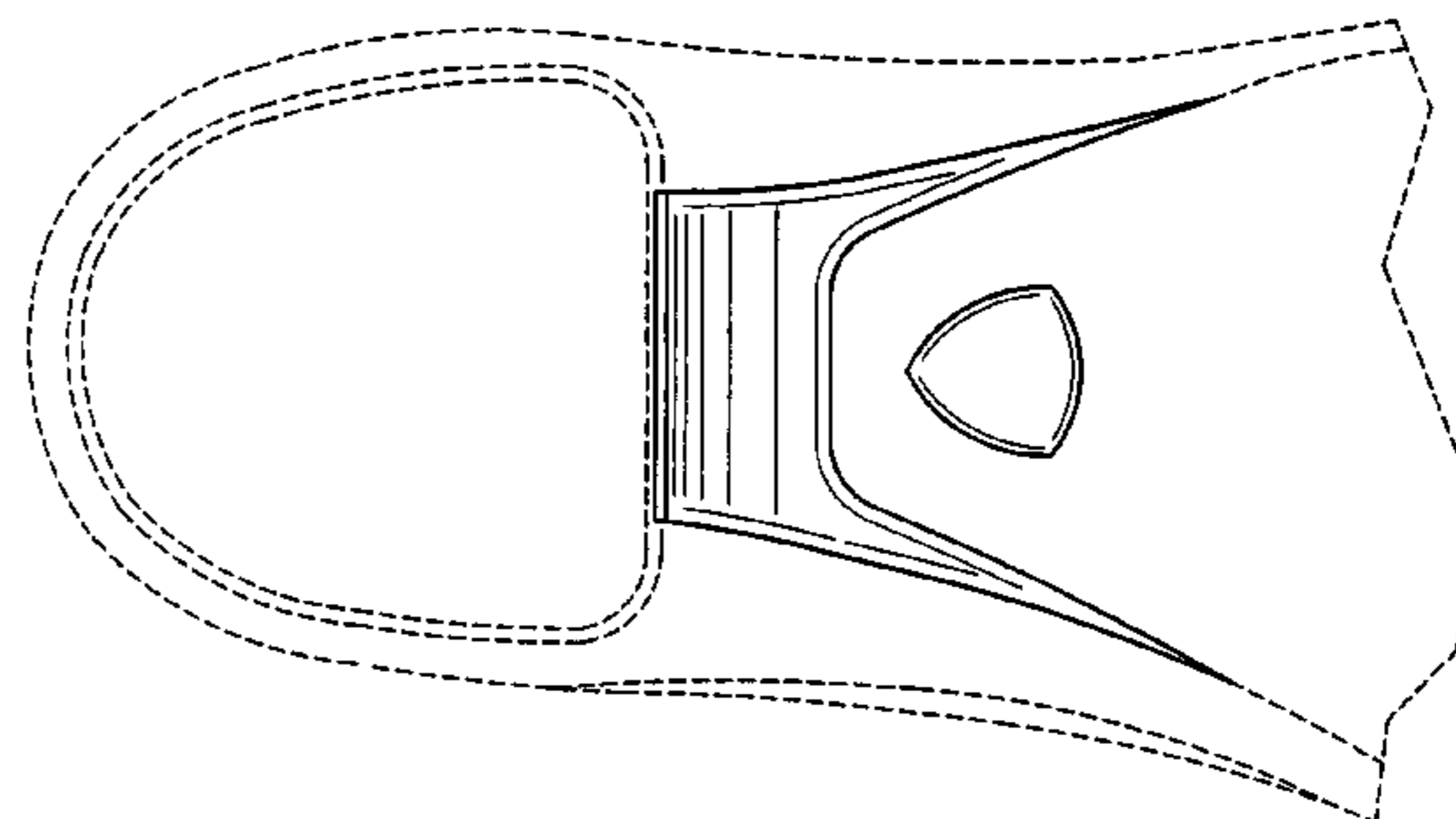
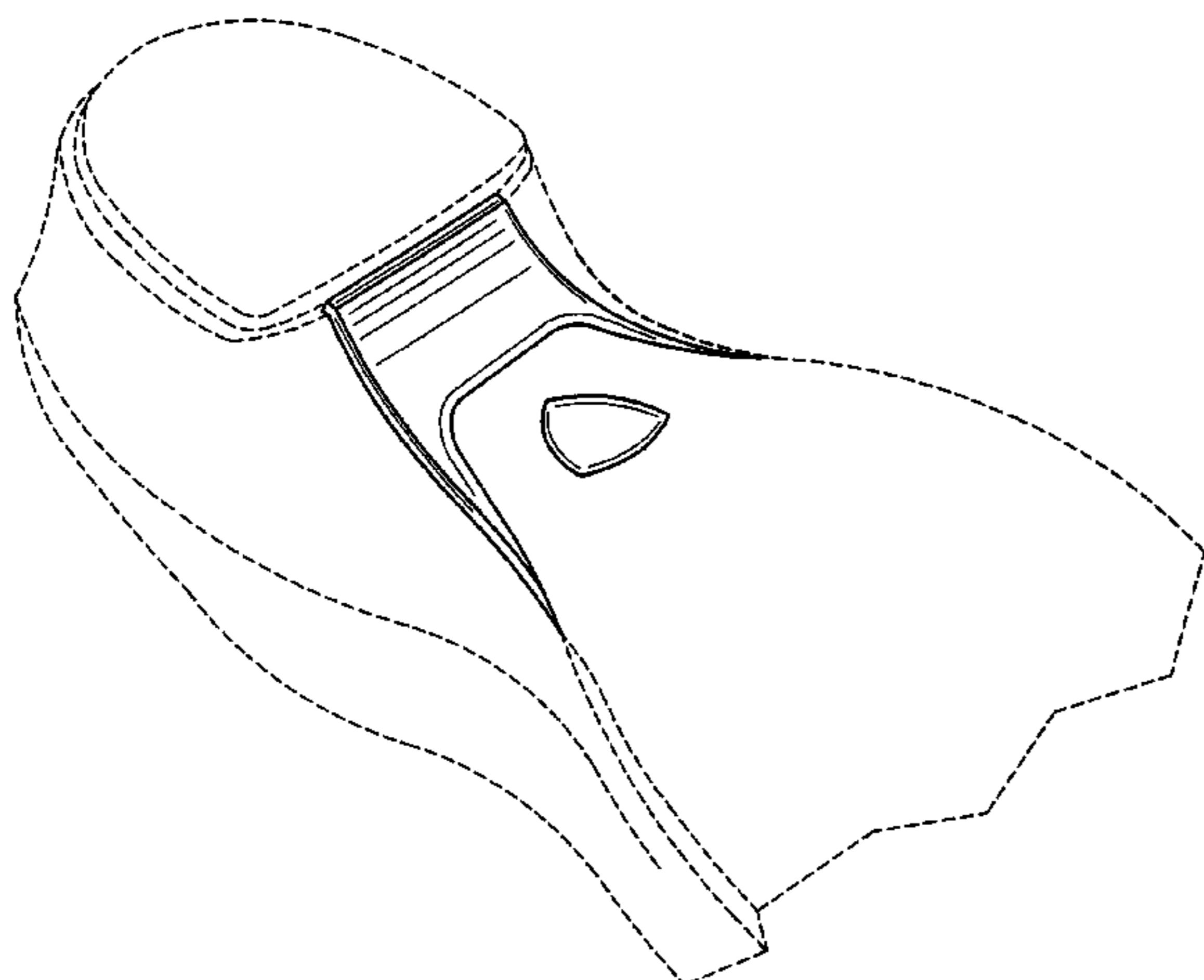
DESCRIPTION

FIG. 1 is a perspective view of a footwear outsole in accordance with an embodiment of the invention; and,

FIG. 2 is a top view of the footwear outsole of FIG. 1.

The broken lines partially showing a shoe in the figures illustrate the environment in which the design resides. The broken lines form no part of the claim.

1 Claim, 1 Drawing Sheet



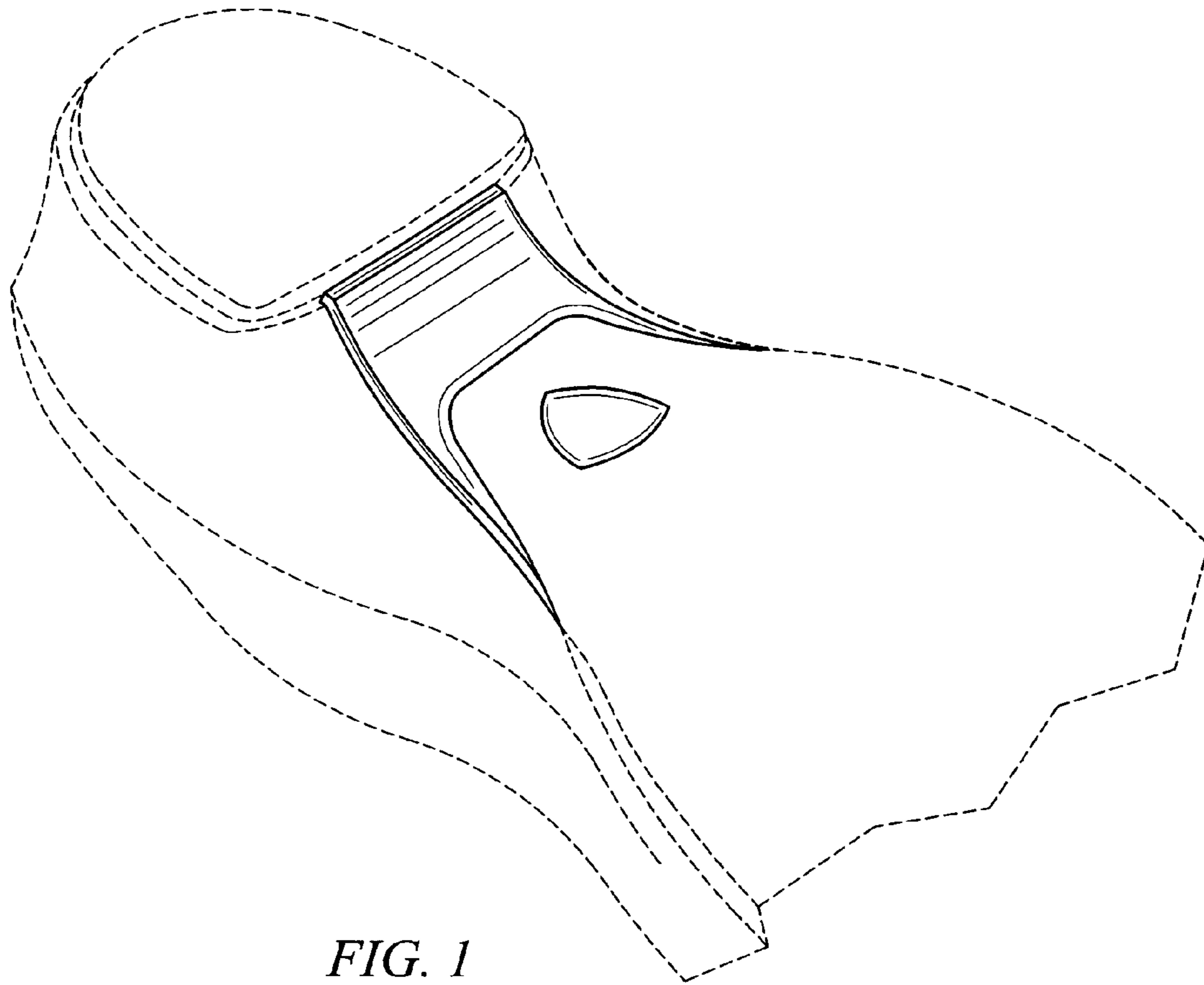


FIG. 1

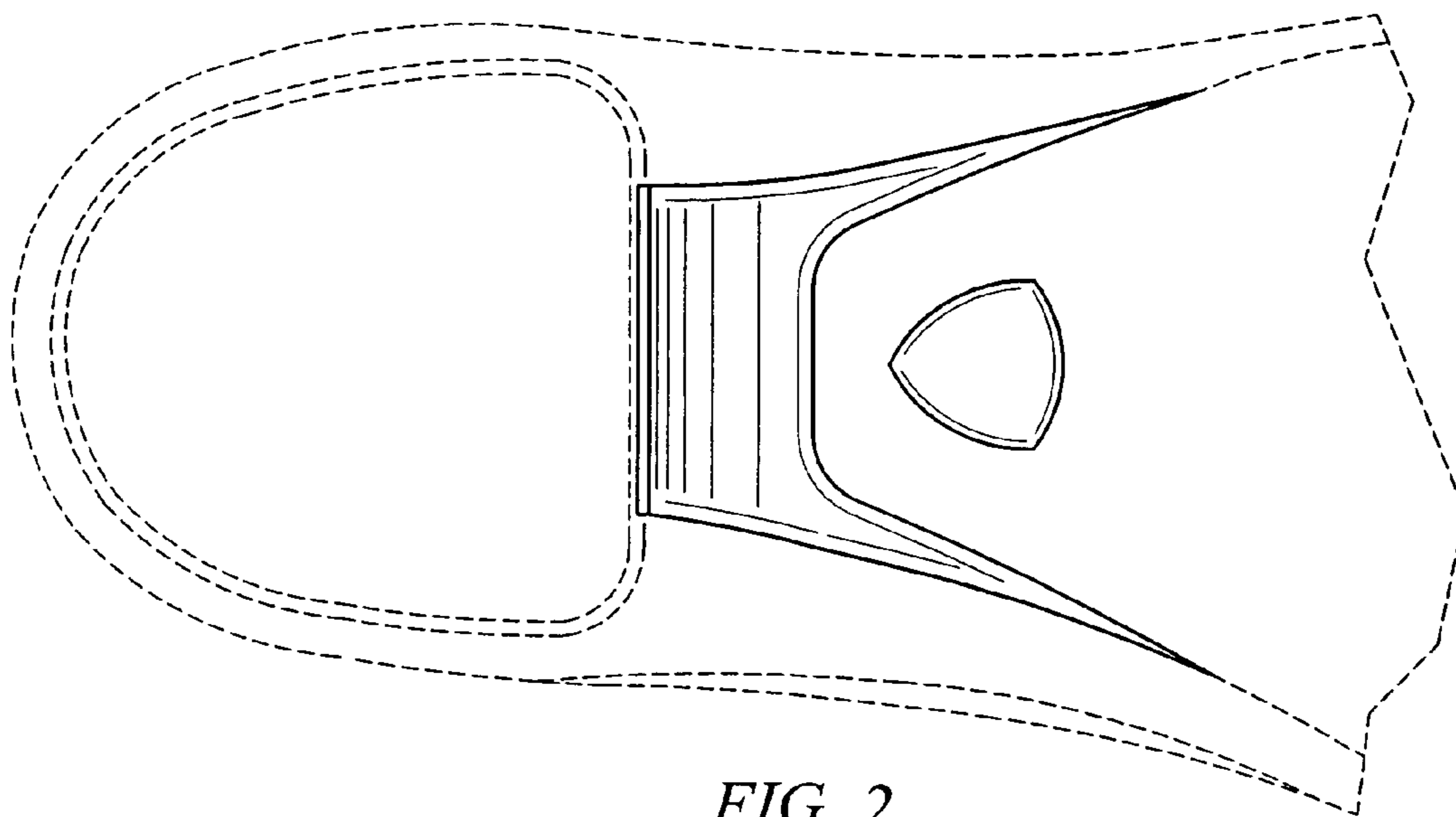


FIG. 2