



US00D555329S

(12) **United States Design Patent**
Valentin

(10) **Patent No.:** **US D555,329 S**

(45) **Date of Patent:** **** Nov. 20, 2007**

(54) **MULTI-PIECE BRA**

2,869,553 A 1/1959 D'Or
3,280,818 A * 10/1966 Pankey et al. 450/81

(75) Inventor: **Tara J. Valentin**, Watervliet, NY (US)

(Continued)

(73) Assignee: **Creative Bra Designs LLC**, Albany, NY (US)

OTHER PUBLICATIONS

(**) Term: **14 Years**

Support Quest, Inc., "Simply Up". 1996.

(21) Appl. No.: **29/276,554**

Primary Examiner—Ian Simmons

Assistant Examiner—R. Johnson

(22) Filed: **Jan. 29, 2007**

(74) *Attorney, Agent, or Firm*—Hoffman, Warnick & D'Alessandro LLC

Related U.S. Application Data

(57) **CLAIM**

(62) Division of application No. 29/239,824, filed on Oct. 5, 2005, which is a division of application No. 29/202,935, filed on Apr. 7, 2004, now Pat. No. Des. 525,012.

The ornamental design for a multi-piece bra, as shown and described.

(51) **LOC (8) Cl.** **02-01**

(52) **U.S. Cl.** **D2/706**

(58) **Field of Classification Search** D2/701, D2/705, 706; 2/24, 53, 56, 267, 268; 128/112.1, 128/890, 892; 450/1, 53–57, 80, 81, 151
See application file for complete search history.

DESCRIPTION

FIG. 1 is a partial front elevational view of a multi-piece bra with a rounded cup and a squared under support, showing my new design;

FIG. 2 is a top plan view thereof;

FIG. 3 is a side elevational view thereof;

FIG. 4 is a full front elevational thereof;

(56) **References Cited**

U.S. PATENT DOCUMENTS

212,184 A	2/1879	Bryson	
419,279 A	1/1890	Myers	
561,427 A *	6/1896	McKay	2/112
885,530 A *	4/1908	Sachsen	2/53
2,267,365 A	12/1941	Blum	
2,435,860 A	2/1948	Wilkenfeld et al.	
2,578,954 A	12/1951	Leuven, Jr.	
2,579,365 A *	12/1951	Conde	450/39
2,630,119 A	3/1953	Aagesen	
2,664,571 A	1/1954	Kempel	
2,701,879 A	2/1955	Bennett	
2,728,079 A	12/1955	Williams	
2,793,369 A *	5/1957	Panighini	450/53
2,805,420 A *	9/1957	Spellos	2/24

FIG. 5 is a perspective view thereof, showing the multi-piece bra in use; the broken lines showing portions of the human figure form no part of the claimed design;

FIG. 6 is a partial front elevational view of a multi-piece bra with a rounded cup as connected to a squared under support, showing another embodiment of my new design;

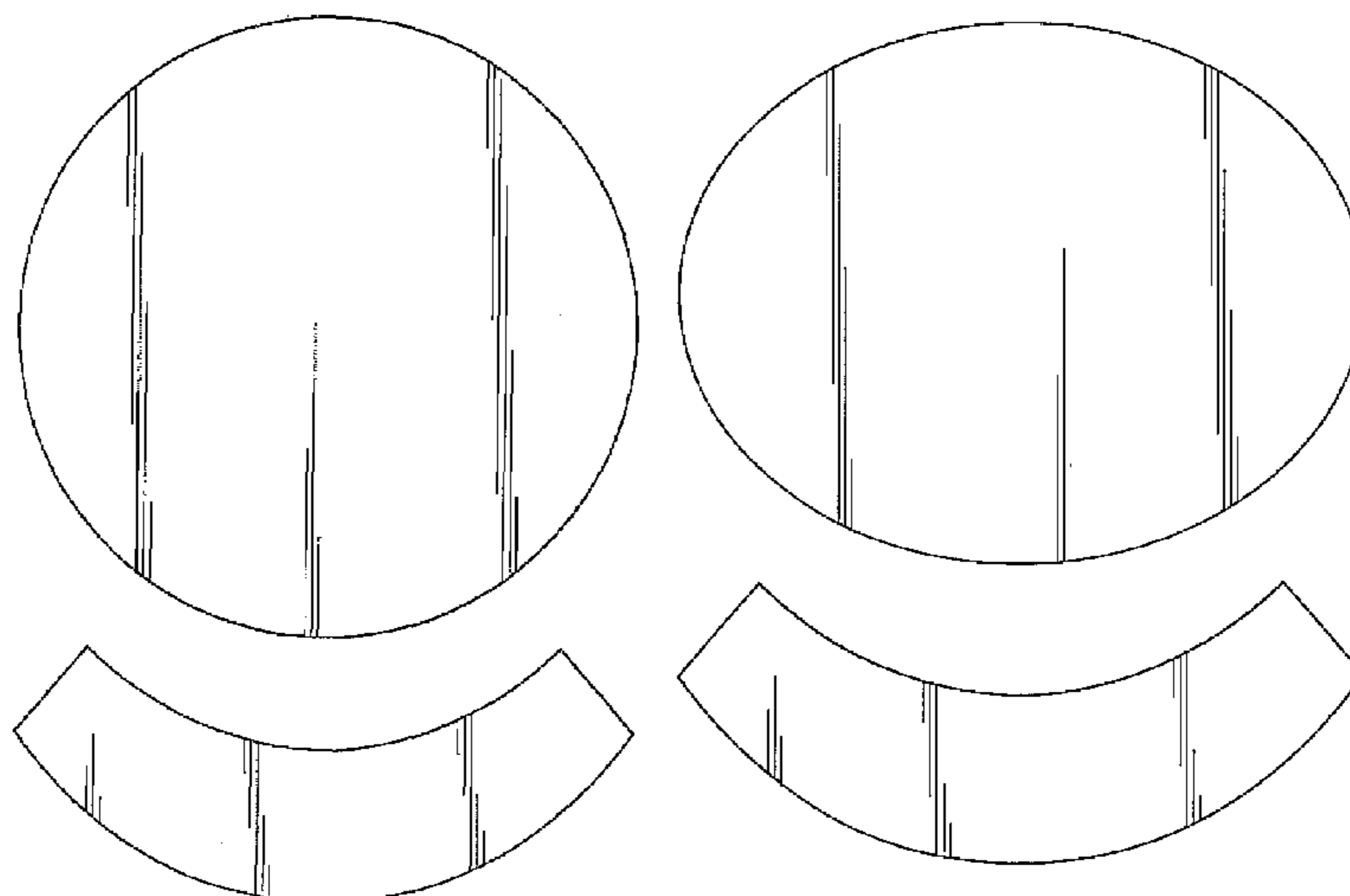
FIG. 7 is a top plan view thereof;

FIG. 8 is a side elevational view thereof;

FIG. 9 is a full front elevational thereof; and,

FIG. 10 is a perspective view thereof, showing the multi-piece bra in use; the broken lines showing portions of the human figure form no part of the claimed design.

1 Claim, 6 Drawing Sheets



US D555,329 S

Page 2

U.S. PATENT DOCUMENTS

3,934,593	A	1/1976	Mellinger	6,338,665	B1	1/2002	Dawson et al.	
4,333,471	A	6/1982	Nakai	6,341,377	B1 *	1/2002	Faries et al.	2/53
4,805,239	A *	2/1989	Ciago	6,371,831	B1	4/2002	Dodge	
4,992,074	A	2/1991	Diaz	6,383,055	B2	5/2002	Valentin	
D383,591	S *	9/1997	Hyde	6,390,884	B1 *	5/2002	Dragojevic	450/1
5,755,611	A *	5/1998	Noble et al.	6,397,391	B2	6/2002	DeMarco	
5,806,103	A	9/1998	McCracken et al.	6,443,805	B1 *	9/2002	Kirkwood	450/31
5,998,693	A	12/1999	Zagame	D485,965	S	2/2004	Slimak et al.	
6,183,340	B1	2/2001	Wen	6,780,081	B2	8/2004	Chen et al.	
6,224,458	B1	5/2001	Chen	D504,201	S *	4/2005	Ratcliffe	D2/706
6,231,423	B1	5/2001	Deal et al.	D525,012	S *	7/2006	Valentin	D2/706
6,257,952	B1	7/2001	Valentin	D539,506	S *	4/2007	Valentin	D2/706
6,283,820	B1	9/2001	Huang	2002/0187727	A1	12/2002	Pinna	
6,299,505	B1	10/2001	Huang	2003/0129923	A1	7/2003	Chong	
6,306,006	B1	10/2001	Cheng					

* cited by examiner



FIG. 2

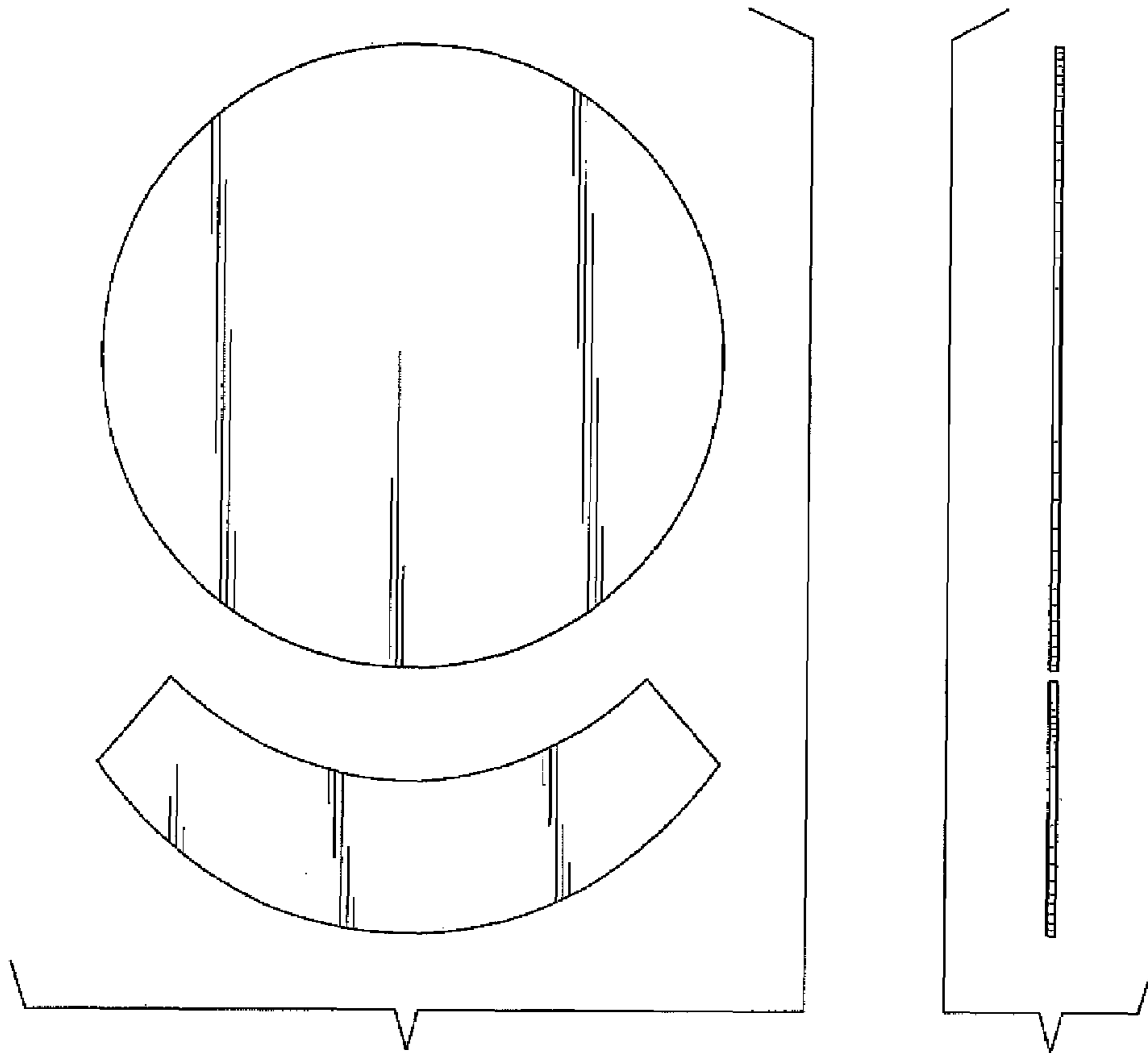


FIG. 1

FIG. 3

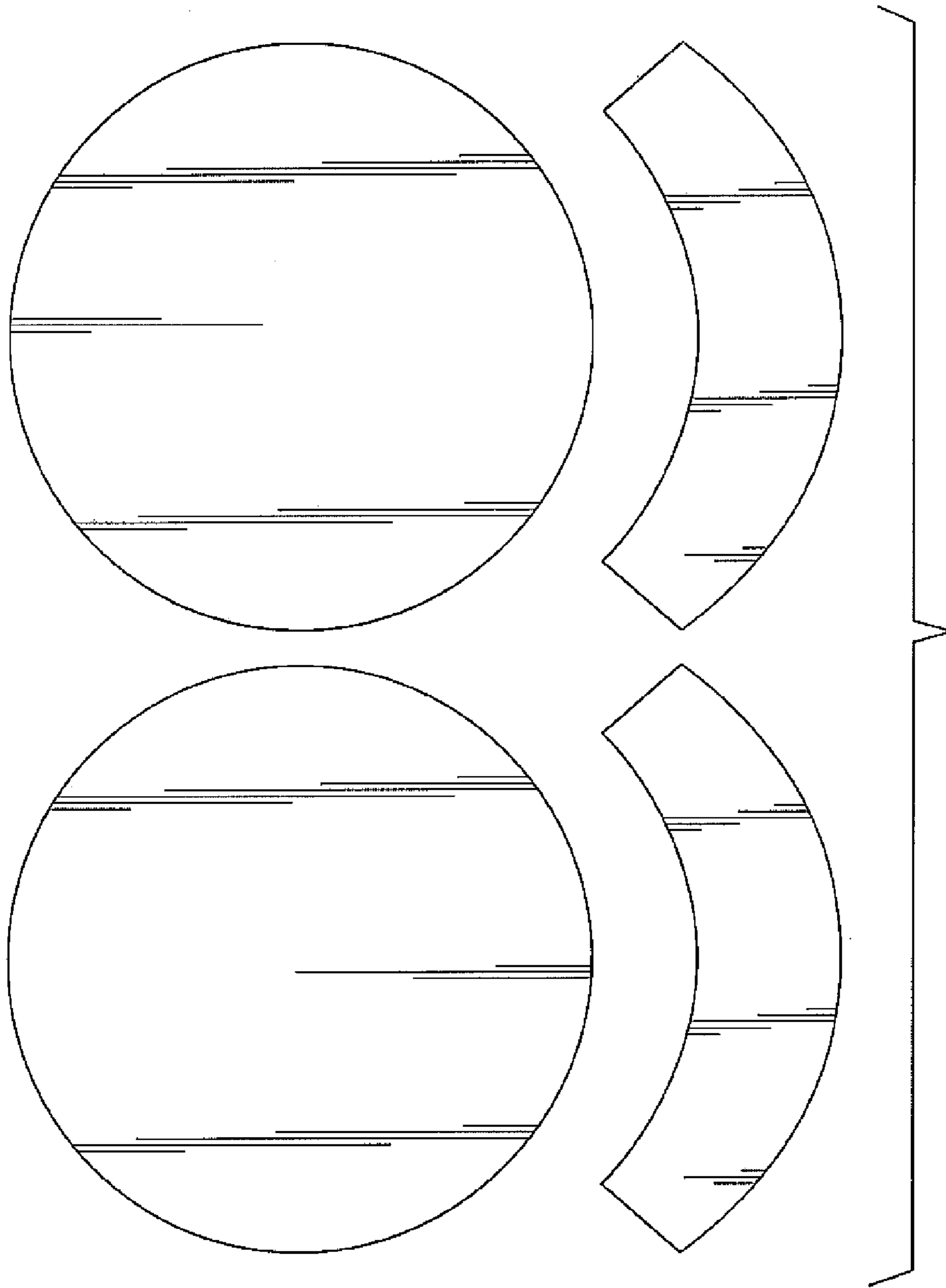


FIG. 4

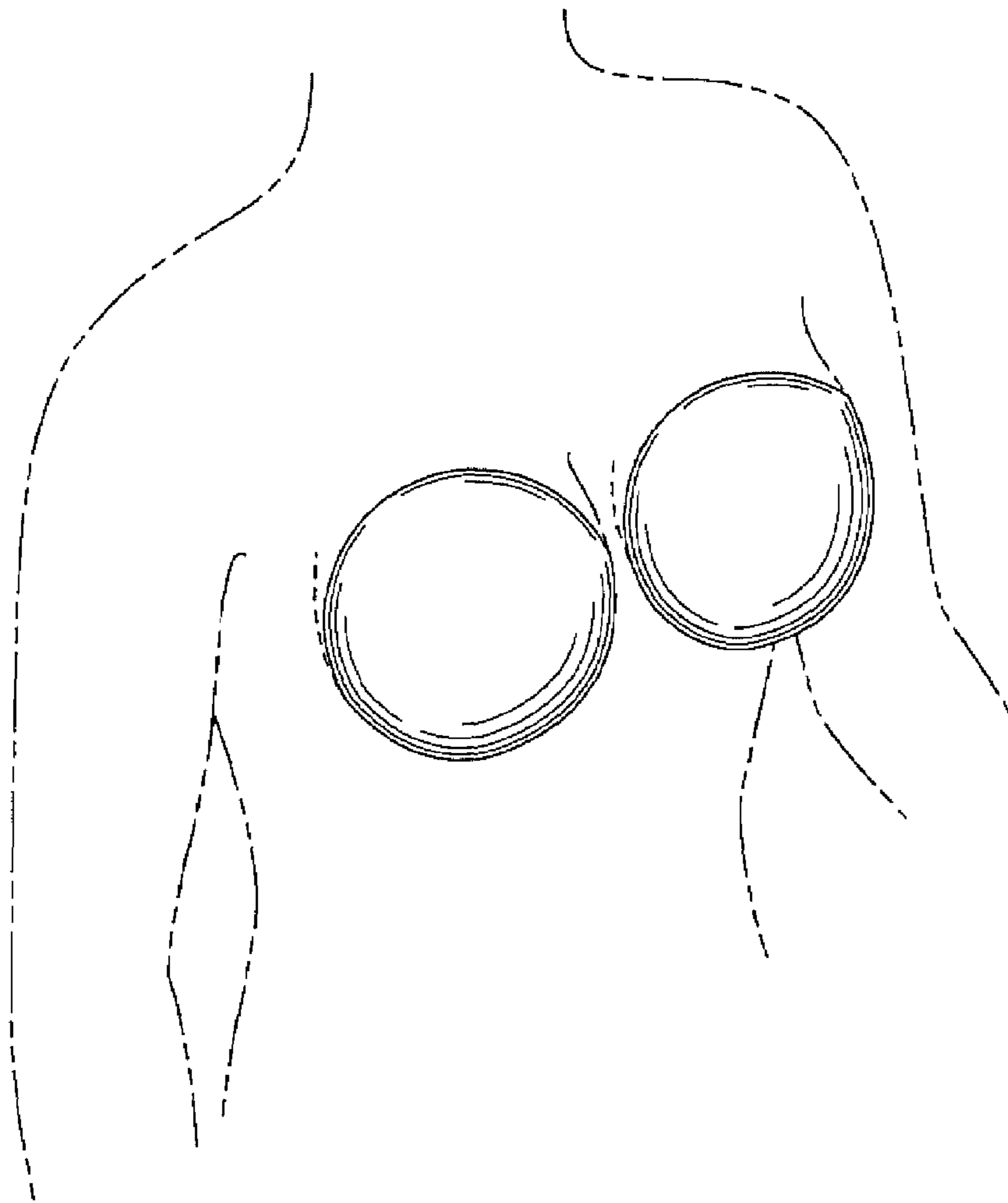


FIG. 5

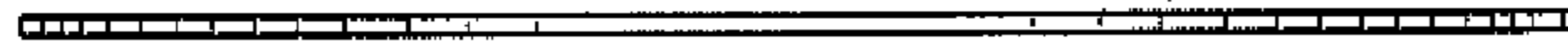


FIG. 7

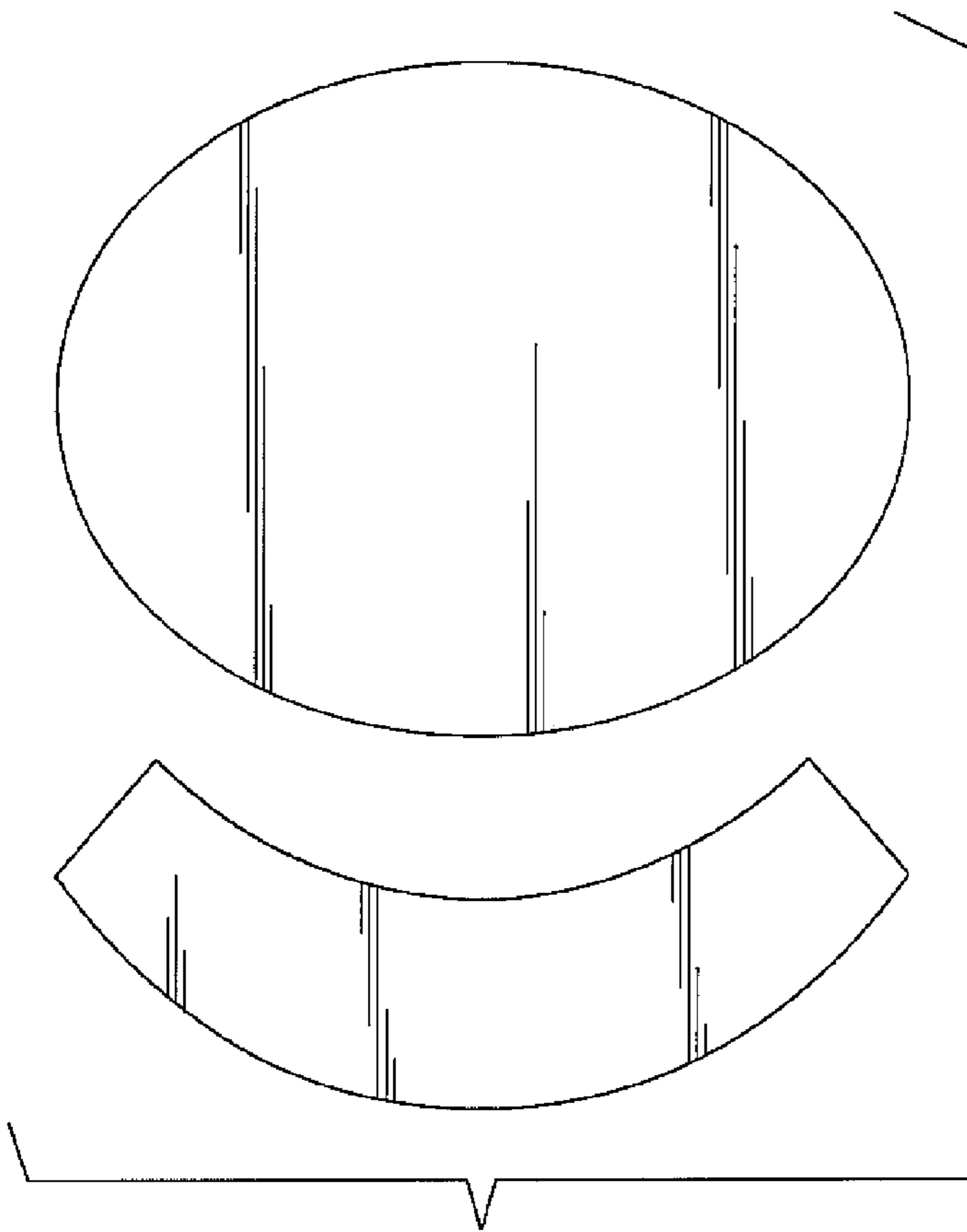


FIG. 6

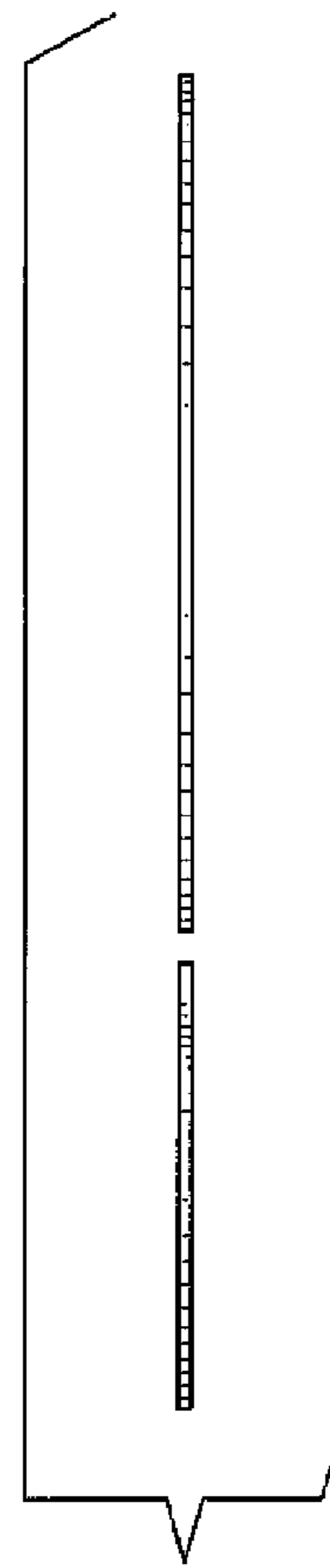


FIG. 8

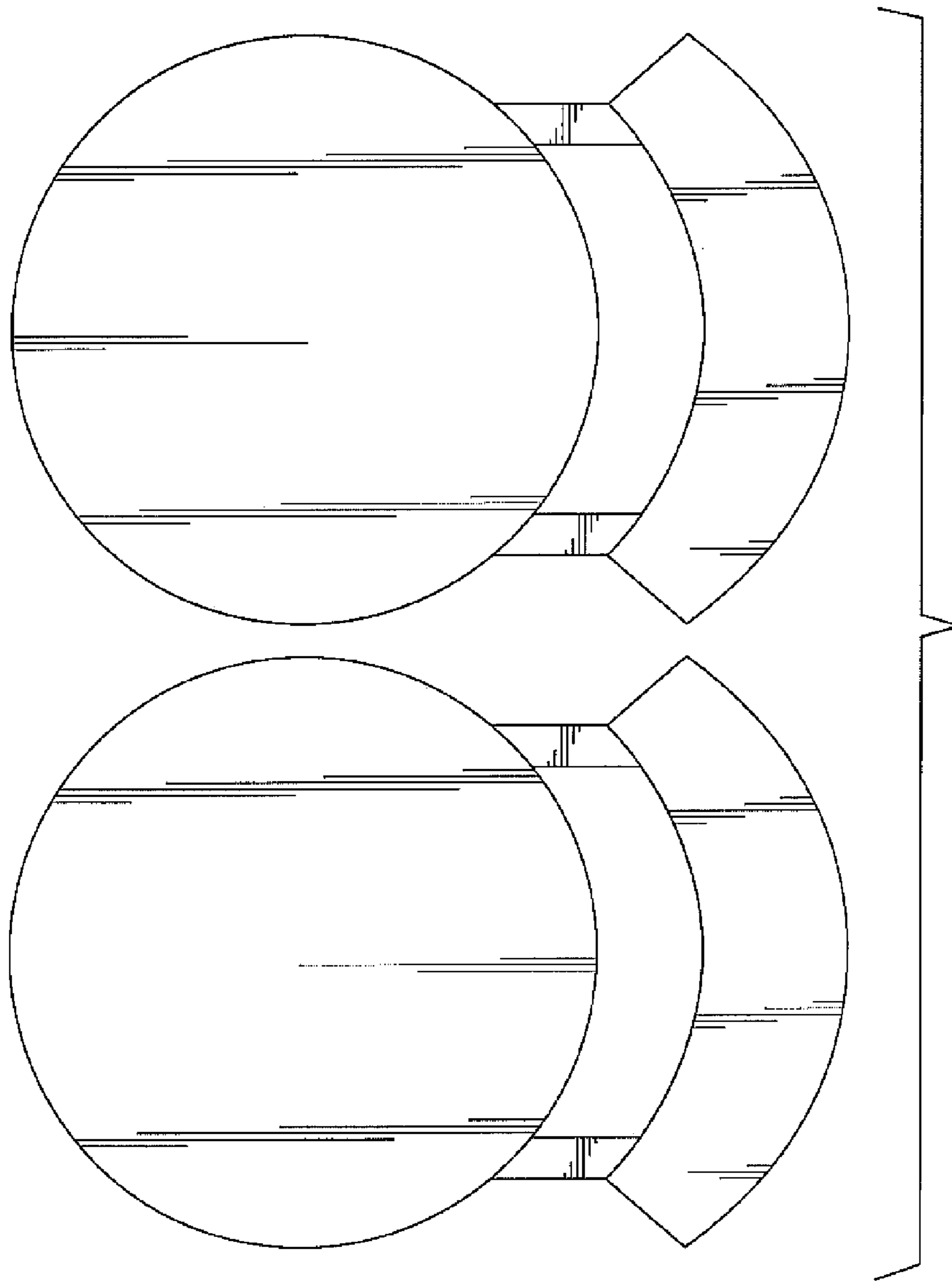


FIG. 9

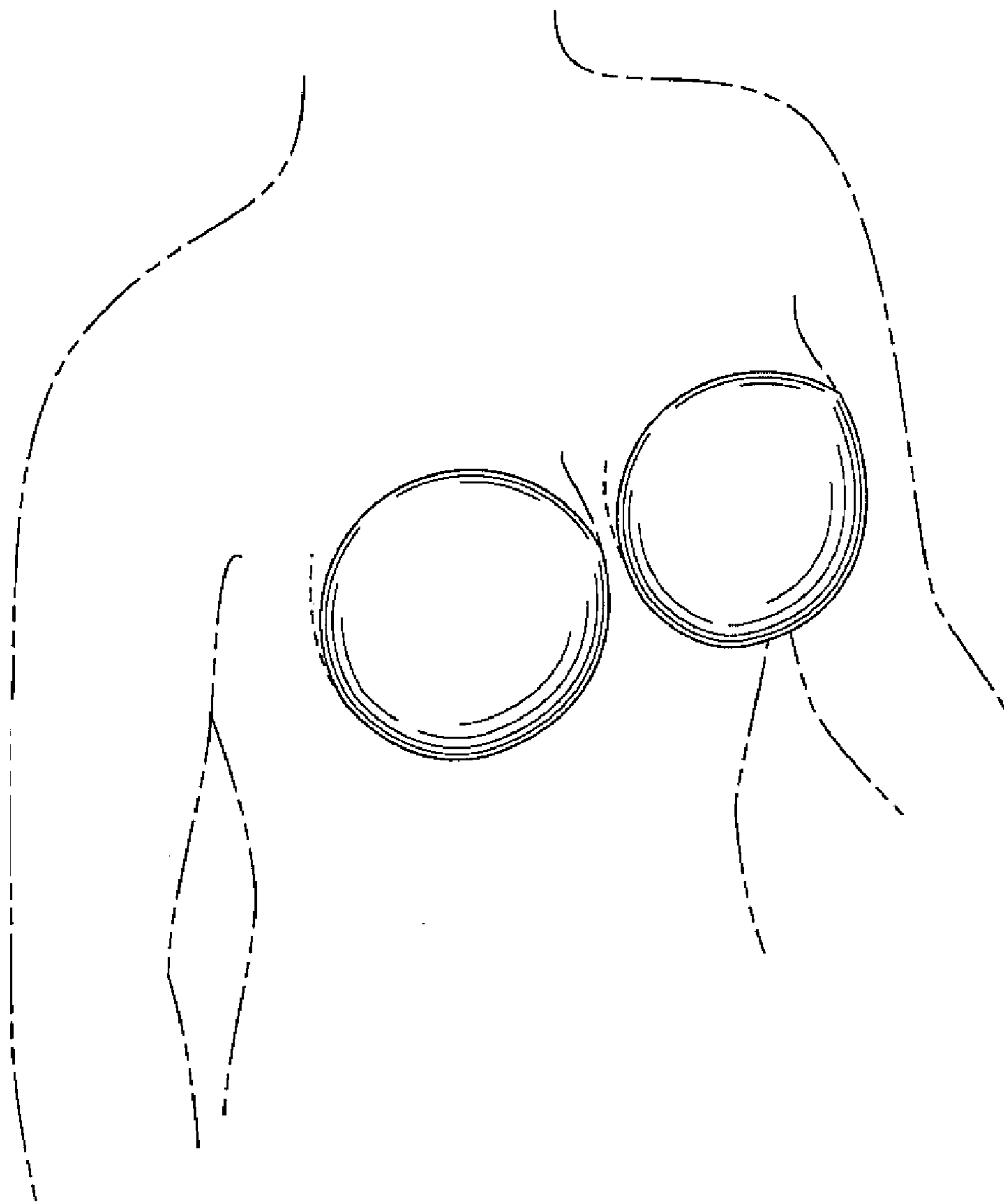


FIG. 10