



US00D555326S

(12) **United States Design Patent**
Brown

(10) **Patent No.:** **US D555,326 S**

(45) **Date of Patent:** **** Nov. 20, 2007**

(54) **CLERGY COLLAR**

(76) **Inventor:** **Charles Brown**, 8434 Blazing Star Rd.,
Jacksonville, FL (US) 32210

(**) **Term:** **14 Years**

(21) **Appl. No.:** **29/261,832**

(22) **Filed:** **Jun. 21, 2006**

(51) **LOC (8) Cl.** **02-05**

(52) **U.S. Cl.** **D2/602; D2/605**

(58) **Field of Classification Search** D2/600,
D2/602, 605; D28/32, 33, 39, 41; D29/100,
D29/101.2, 101.5; 2/44, 338, 311, 132, 129,
2/131, 60, 127, 468, 908, 916; 24/31 R,
24/68 R; 119/856, 857; 602/19

See application file for complete search history.

(56) **References Cited**

U.S. PATENT DOCUMENTS

1,267,770	A *	5/1918	Hurd	2/129
D55,128	S *	5/1920	Hurd	D2/602
D103,609	S *	3/1937	Dietz	D2/602
D113,092	S *	1/1939	Levin	D2/602
2,520,539	A *	8/1950	Goldson	2/98
2,997,718	A *	8/1961	Jacobs	2/139
3,393,406	A *	7/1968	Hollinger et al.	2/129

3,800,450	A *	4/1974	Laugherty et al.	40/633
4,091,766	A *	5/1978	Colliard	359/518
4,601,538	A *	7/1986	Valkenburg	359/519
D382,989	S *	9/1997	Simpson	D2/894
D394,735	S *	6/1998	Glennie	D2/853
6,481,382	B2 *	11/2002	Cohn	119/794
6,684,464	B1 *	2/2004	Mody et al.	24/306
6,701,532	B1 *	3/2004	Glassberg et al.	2/170
D489,878	S *	5/2004	Slimane	D2/840
6,874,164	B2	4/2005	Droppo et al.		
7,021,247	B1 *	4/2006	Seeno et al.	119/859

* cited by examiner

Primary Examiner—Stella M. Reid

Assistant Examiner—Elizabeth J. Oswecki

(74) *Attorney, Agent, or Firm*—Lawrence J. Gibney, Jr.

(57) **CLAIM**

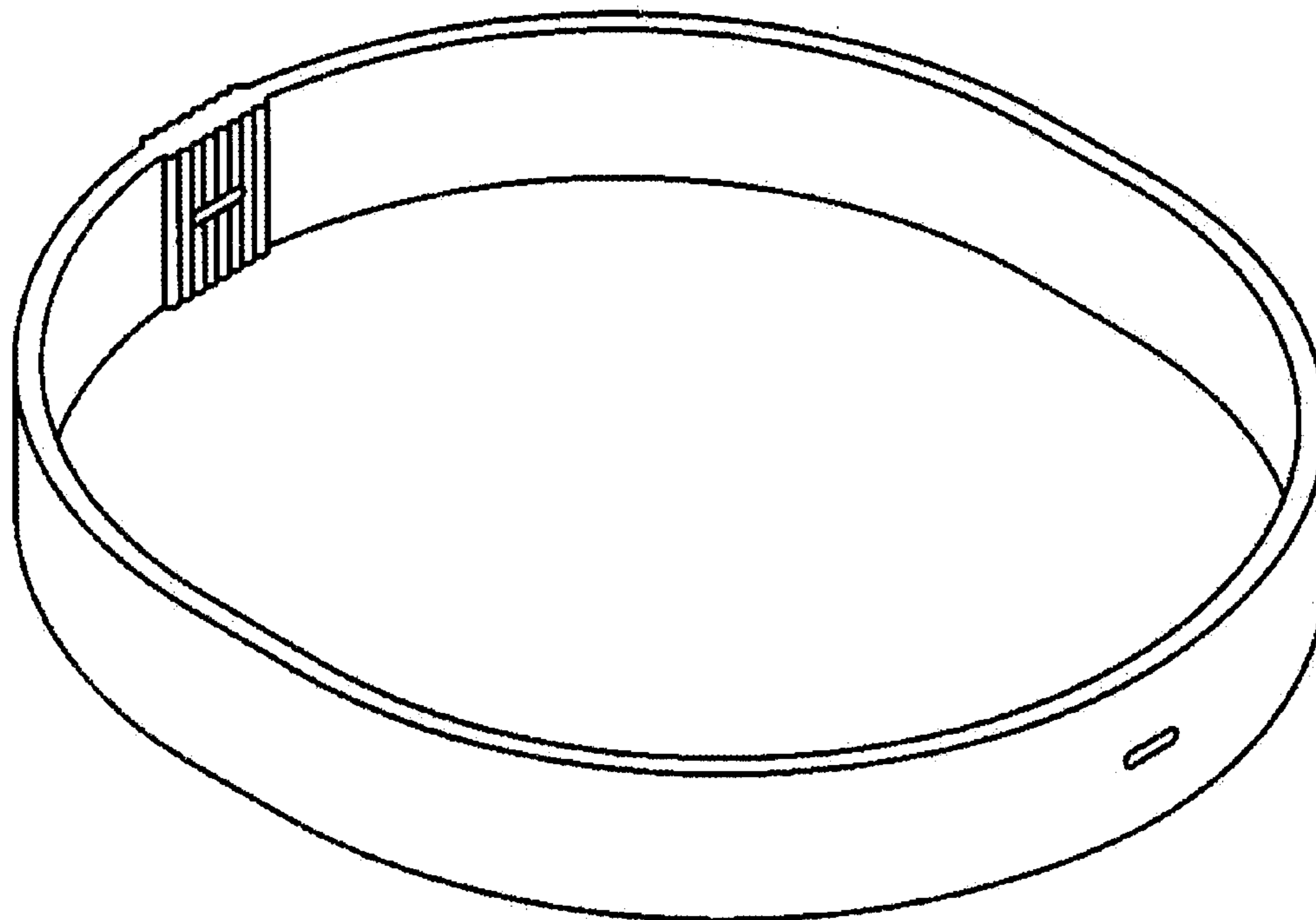
The ornamental design for clergy collar, as shown and described.

DESCRIPTION

FIG. 1 is an isometrical view of a clergy collar showing my new design; and,

FIG. 2 is a top plan view thereof.

1 Claim, 2 Drawing Sheets



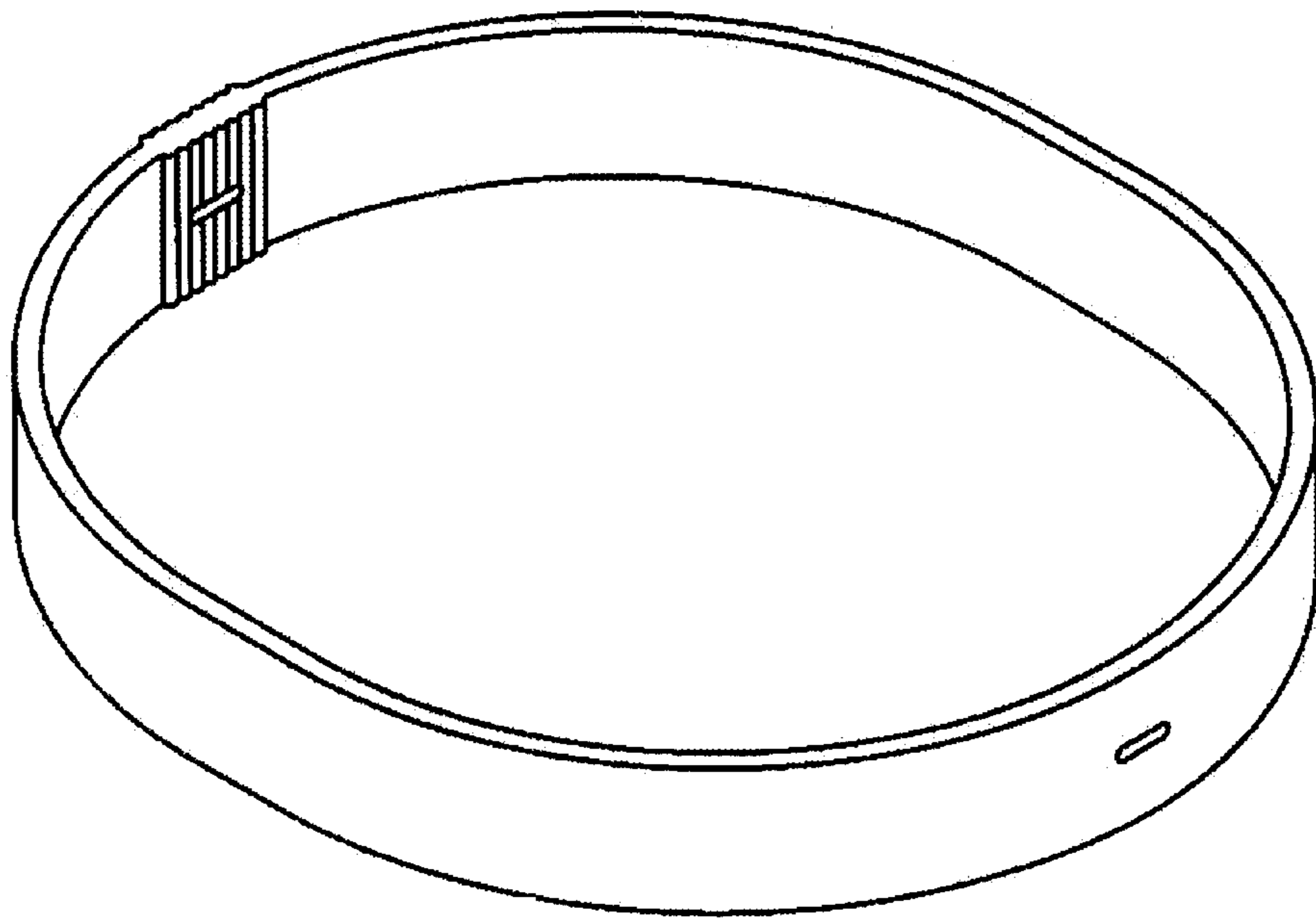


FIG. 1

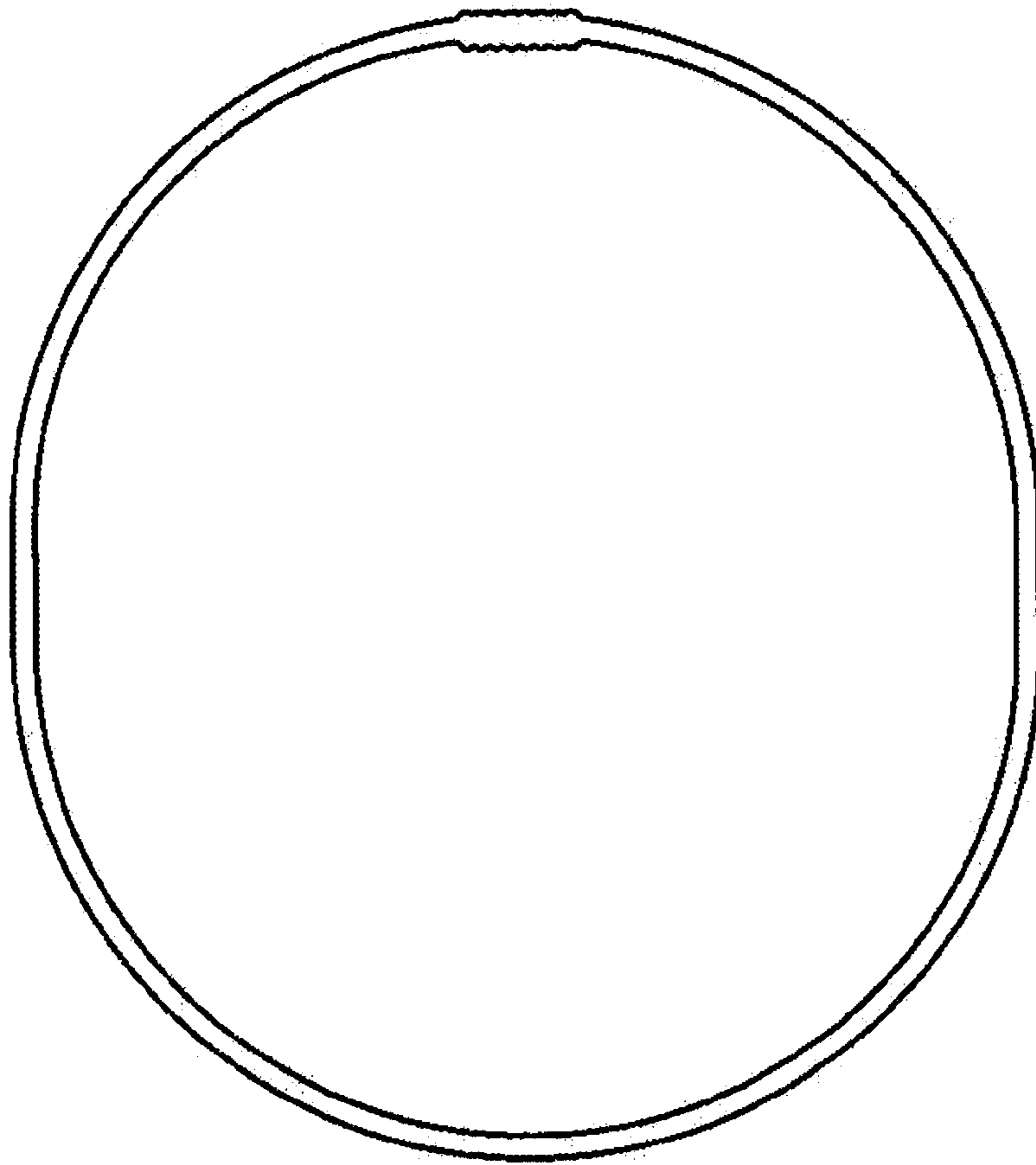


FIG. 2