



US00D555325S

(12) **United States Design Patent** (10) **Patent No.:** **US D555,325 S**  
**Roberts et al.** (45) **Date of Patent:** **\*\* Nov. 13, 2007**

(54) **BOTTOM SURFACE HANDLE CONTAINING RECEPTACLE**

(76) Inventors: **Daniel J. Roberts**, 101 Westwood Dr., West Springfield, MA (US) 01089; **George L. Vershon**, 36 Hampden La., Agawam, MA (US) 01001; **Mark A. Koziol**, 847 St. James Ave., Springfield, MA (US) 01104

(\*\*) Term: **14 Years**

(21) Appl. No.: **29/250,175**

(22) Filed: **Nov. 6, 2006**

(51) **LOC (8) Cl.** ..... **09-02**

(52) **U.S. Cl.** ..... **D34/39; D34/11**

(58) **Field of Classification Search** ..... D34/1, D34/10, 11, 39; 220/601, DIG. 1, 711, 712, 220/254.1, 254.3, 831, 212.5; D9/438  
See application file for complete search history.

(56) **References Cited**

**U.S. PATENT DOCUMENTS**

2,284,798 A *	6/1942	Boose	.....	220/765
2,338,082 A *	1/1944	Brewton	.....	220/212.5
2,895,654 A	7/1959	Rieke		
3,158,296 A	11/1964	Cornelius		
3,278,074 A	10/1966	Masaru		
3,279,640 A	10/1966	Dodson		
3,325,044 A *	6/1967	McCutcheon	.....	220/212.5
3,361,290 A *	1/1968	Matthews et al.	.....	220/296
3,401,827 A	9/1968	Messina		
3,404,803 A	10/1968	Hilliard		
3,825,145 A	7/1974	Reynolds		

3,985,257 A	10/1976	Shaffer et al.		
4,928,045 A	5/1990	Doemen		
5,014,873 A	5/1991	Clemens et al.		
D454,467 S	3/2002	Magermans et al.		
6,948,633 B2	9/2005	Freek et al.		
D526,110 S *	8/2006	Wentzel	.....	D34/39
D543,004 S *	5/2007	Pomilia	.....	D34/39

\* cited by examiner

*Primary Examiner*—Cynthia E. Ramirez  
(74) *Attorney, Agent, or Firm*—Deborah A. Basile; Karen K. Chadwell

(57) **CLAIM**

The ornamental design for a bottom surface handle containing receptacle, as shown and described.

**DESCRIPTION**

FIG. 1 is an elevational view of our new design for a bottom surface handle containing receptacle showing a bottom side of the receptacle;

FIG. 2 is a bottom plan view of the receptacle of FIG. 1;

FIG. 3 is a front side elevational view of the receptacle of FIG. 1;

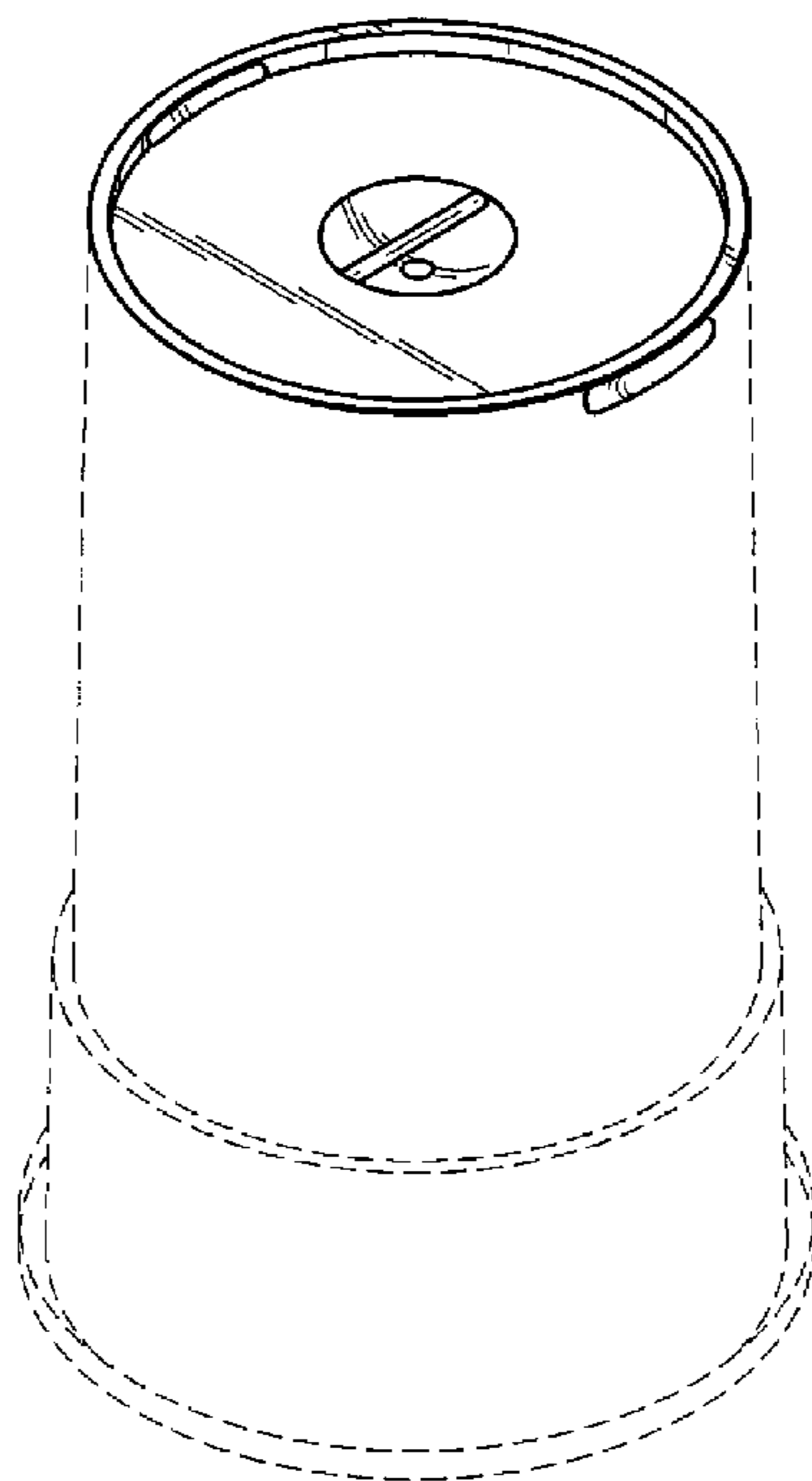
FIG. 4 is a top plan view of the receptacle of FIG. 1;

FIG. 5 is a left side elevational view of the receptacle of FIG. 1; and,

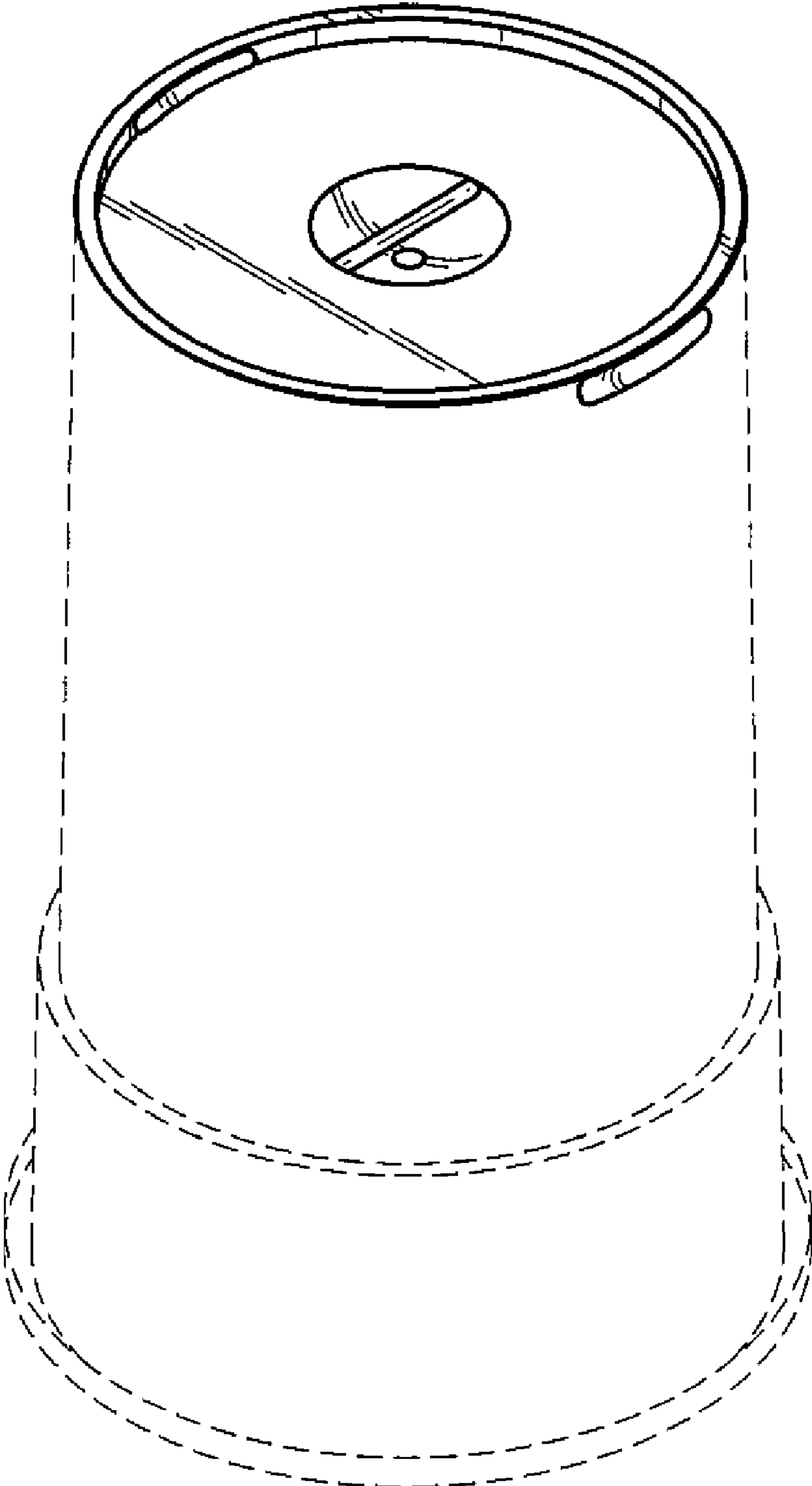
FIG. 6 is a view of section 6-6 shown in FIG. 2.

The broken line showing of a receptacle is included for the purpose of illustrating environment and forms no part of the claimed design.

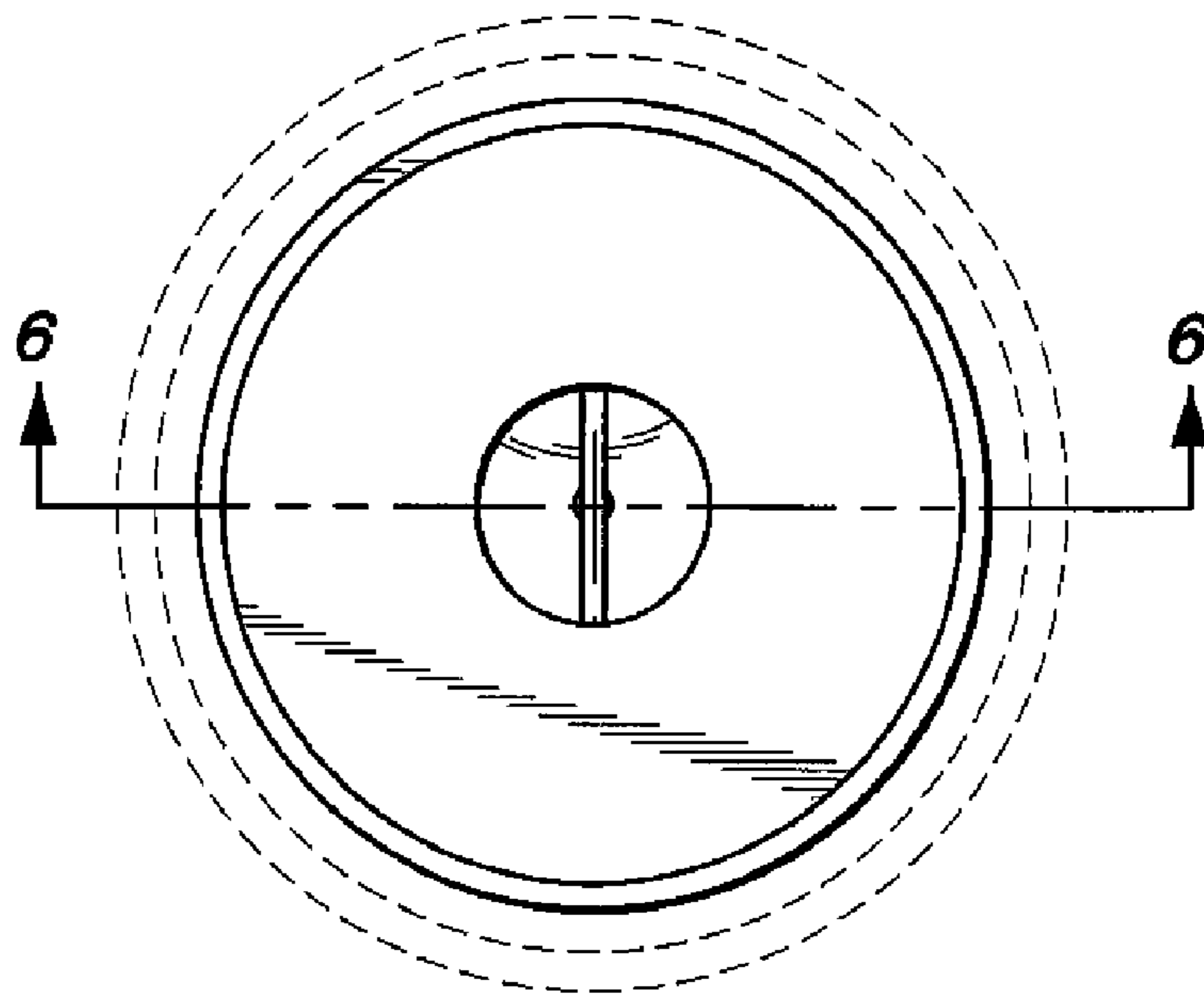
**1 Claim, 4 Drawing Sheets**



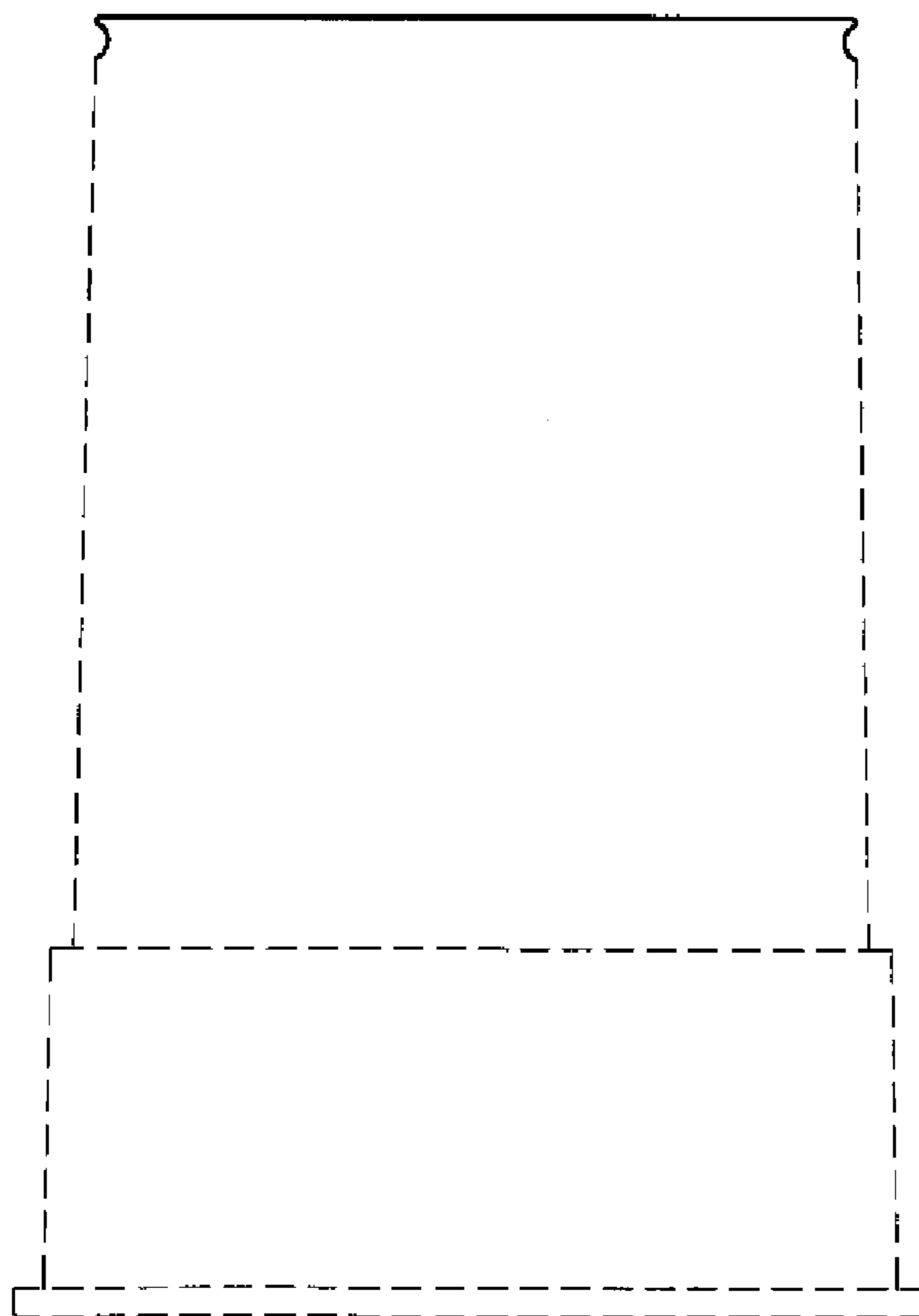
**FIG. 1**



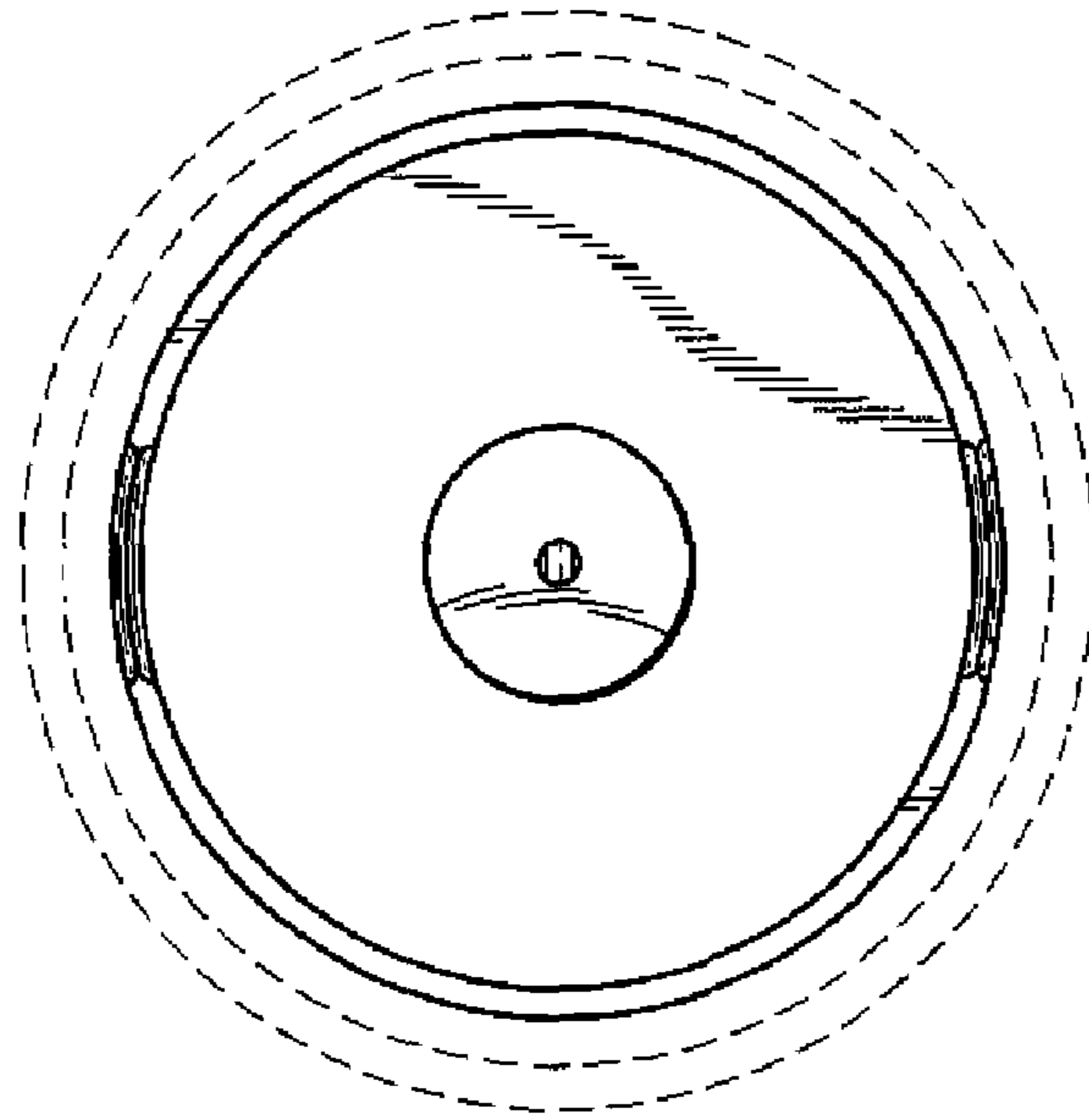
**FIG. 2**



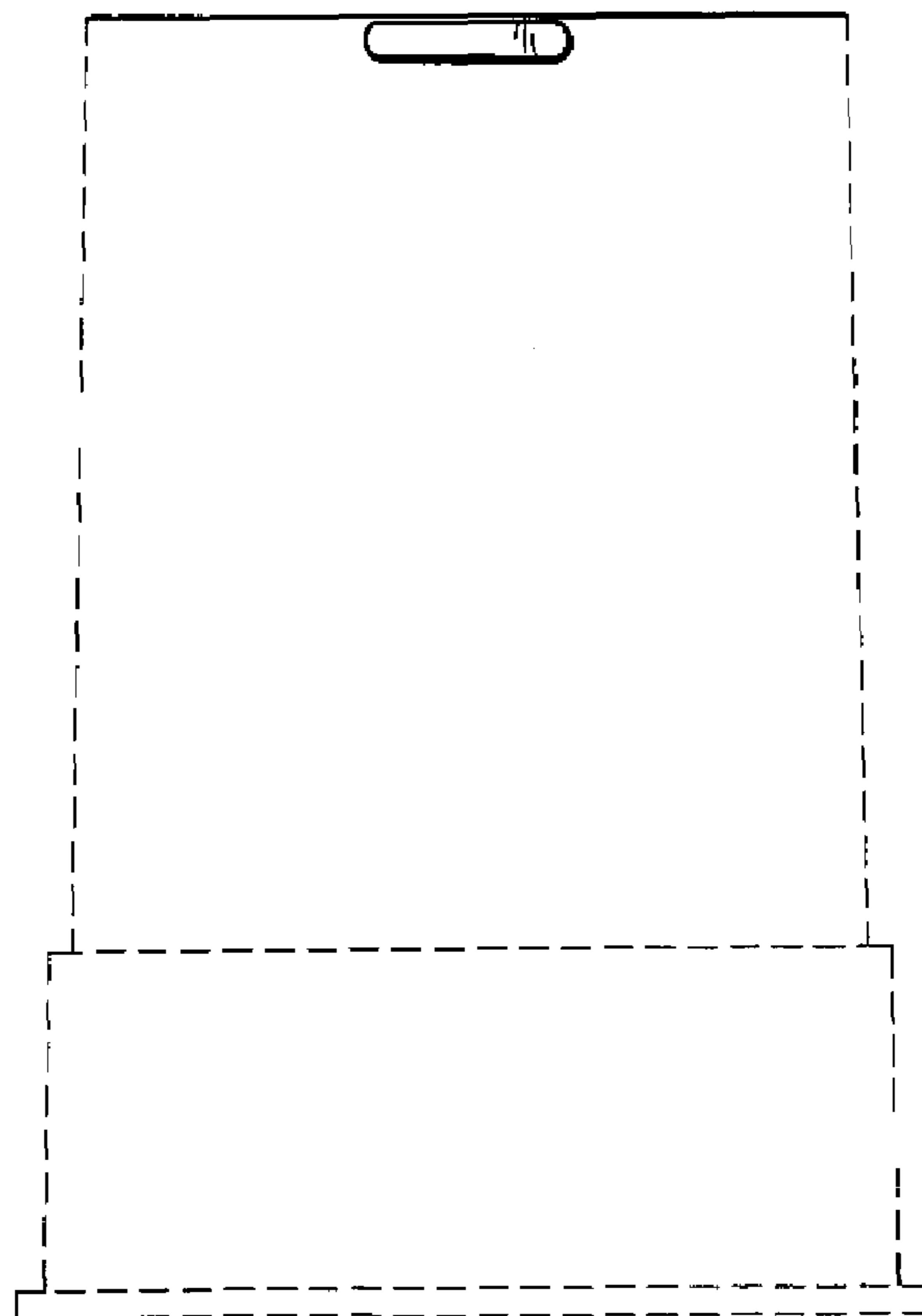
**FIG. 3**



**FIG. 4**



**FIG. 5**



*FIG. 6*

