



US00D555322S

(12) **United States Design Patent**  
**Hlady et al.**

(10) **Patent No.:** **US D555,322 S**

(45) **Date of Patent:** **\*\* Nov. 13, 2007**

(54) **GRAIN HOPPER**

(75) Inventors: **Tim Hlady**, Coaldale (CA); **Robert Kennedy**, Calgary (CA); **William Oliver**, Lethbridge (CA); **James W. Spenceley**, 1506 Lakeview Dr., Lethbridge, Alberta (CA) T1K 3G1

(73) Assignees: **Flexahopper Plastics Ltd.**, Lethbridge, AB (CA); **James W. Spenceley**, Lethbridge, AB (CA)

(\*\*) Term: **14 Years**

(21) Appl. No.: **29/261,179**

(22) Filed: **Jun. 9, 2006**

(51) **LOC (8) Cl.** ..... **12-05**

(52) **U.S. Cl.** ..... **D34/28; D15/13**

(58) **Field of Classification Search** ..... D15/28,  
D15/13, 17; D34/28; D12/221; 193/9;  
206/518; 414/373, 376, 326, 526; 239/675;  
198/311, 671, 550.01, 860.1; 222/413, 251,  
222/205, 270, 410

See application file for complete search history.

(56) **References Cited**

**U.S. PATENT DOCUMENTS**

D161,852 S *	2/1951	Meeder	.....	D34/28
2,612,294 A *	9/1952	Dorschner	.....	222/252
2,806,074 A *	9/1957	Duncklee et al.	.....	222/460
3,001,667 A *	9/1961	Whiting	.....	220/633
3,035,682 A *	5/1962	Ferch	.....	198/550.1
D206,813 S *	1/1967	Vissers	.....	D15/13
4,036,411 A *	7/1977	Westhoff	.....	222/413

4,220,434 A *	9/1980	Letzig	.....	414/326
D279,323 S *	6/1985	Spenceley	.....	D34/28
4,740,130 A *	4/1988	Prins	.....	414/378
D335,293 S *	5/1993	Pingry et al.	.....	D15/28
5,409,344 A *	4/1995	Tharaldson	.....	414/505
D368,914 S *	4/1996	Pink et al.	.....	D15/13
5,655,872 A *	8/1997	Plotkin	.....	414/526
D402,670 S *	12/1998	Becker	.....	D15/13
D431,889 S *	10/2000	Jansen et al.	.....	D34/28
D478,543 S *	8/2003	Truan et al.	.....	D12/221

\* cited by examiner

*Primary Examiner*—Stella Reid

*Assistant Examiner*—Mark Goodwin

(74) *Attorney, Agent, or Firm*—Sean W. Goodwin

(57) **CLAIM**

The ornamental design for a grain hopper, as shown and described.

**DESCRIPTION**

FIG. 1 is a bottom front perspective view of a grain hopper showing our new design;

FIG. 2 is a top back perspective view according to FIG. 1;

FIG. 3 is a front view according to FIG. 1;

FIG. 4 is a back view according to FIG. 1;

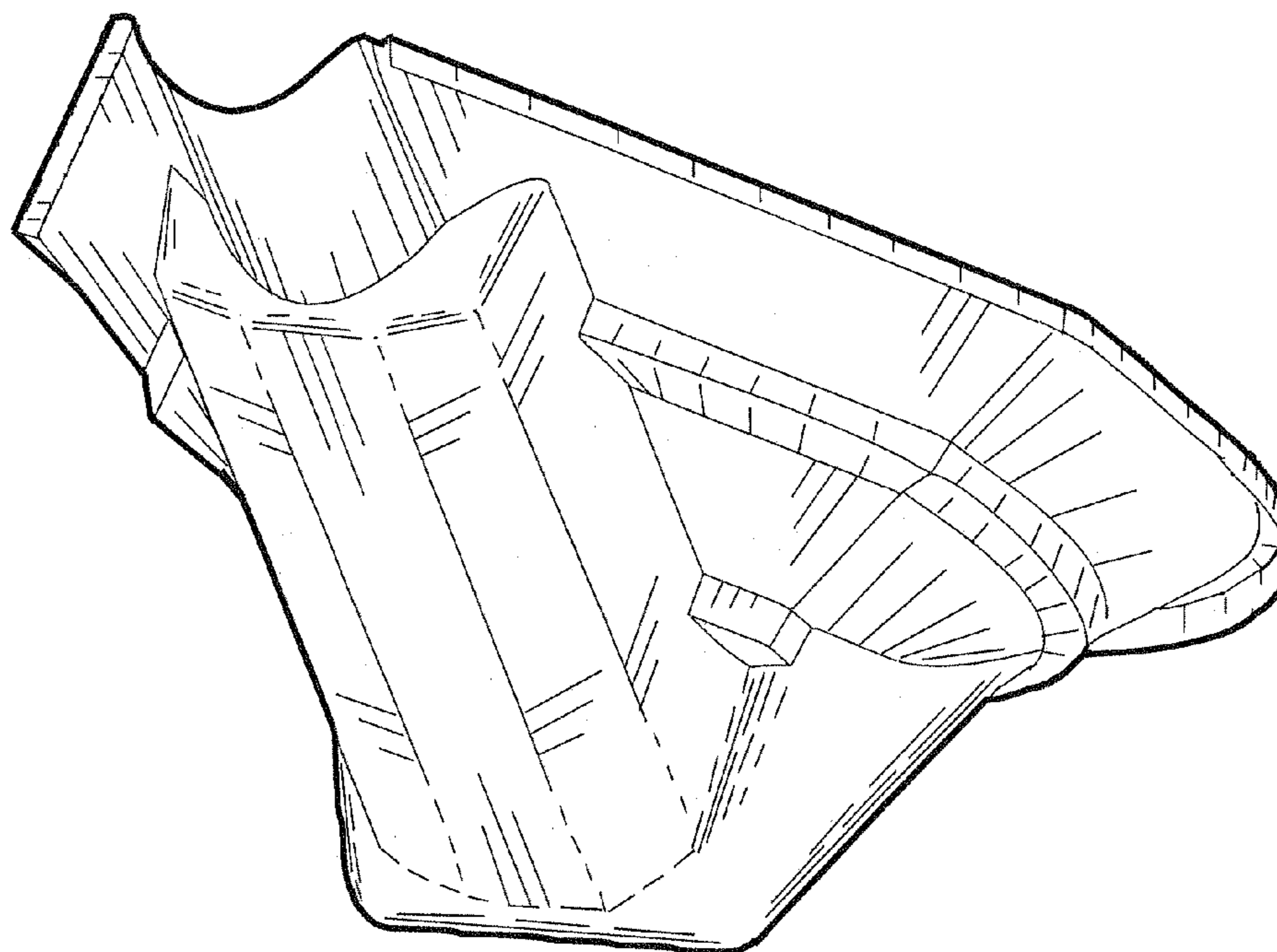
FIG. 5 is a right side view according to FIG. 1;

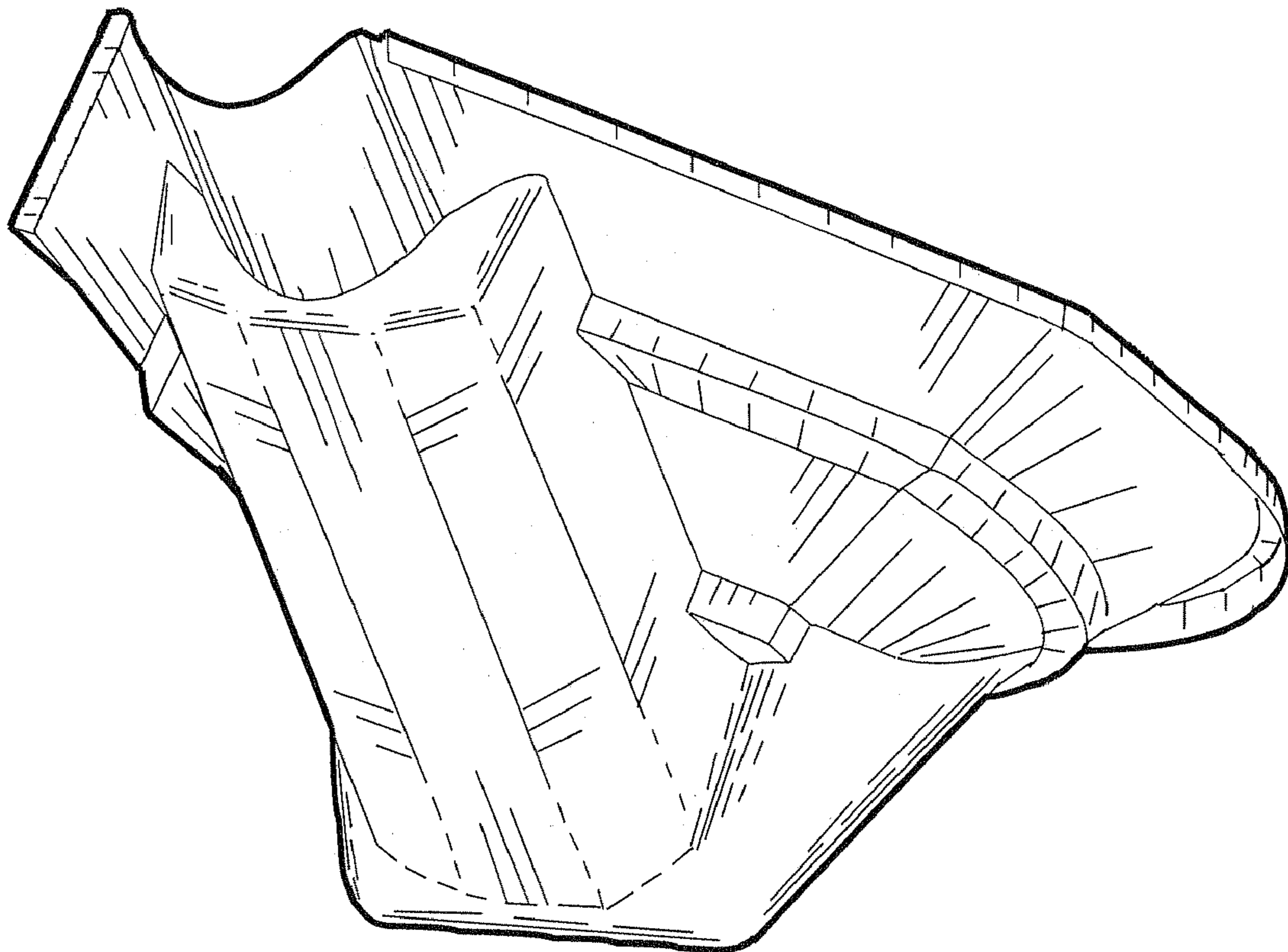
FIG. 6 is a left side view according to FIG. 1;

FIG. 7 is a top view according to FIG. 1; and,

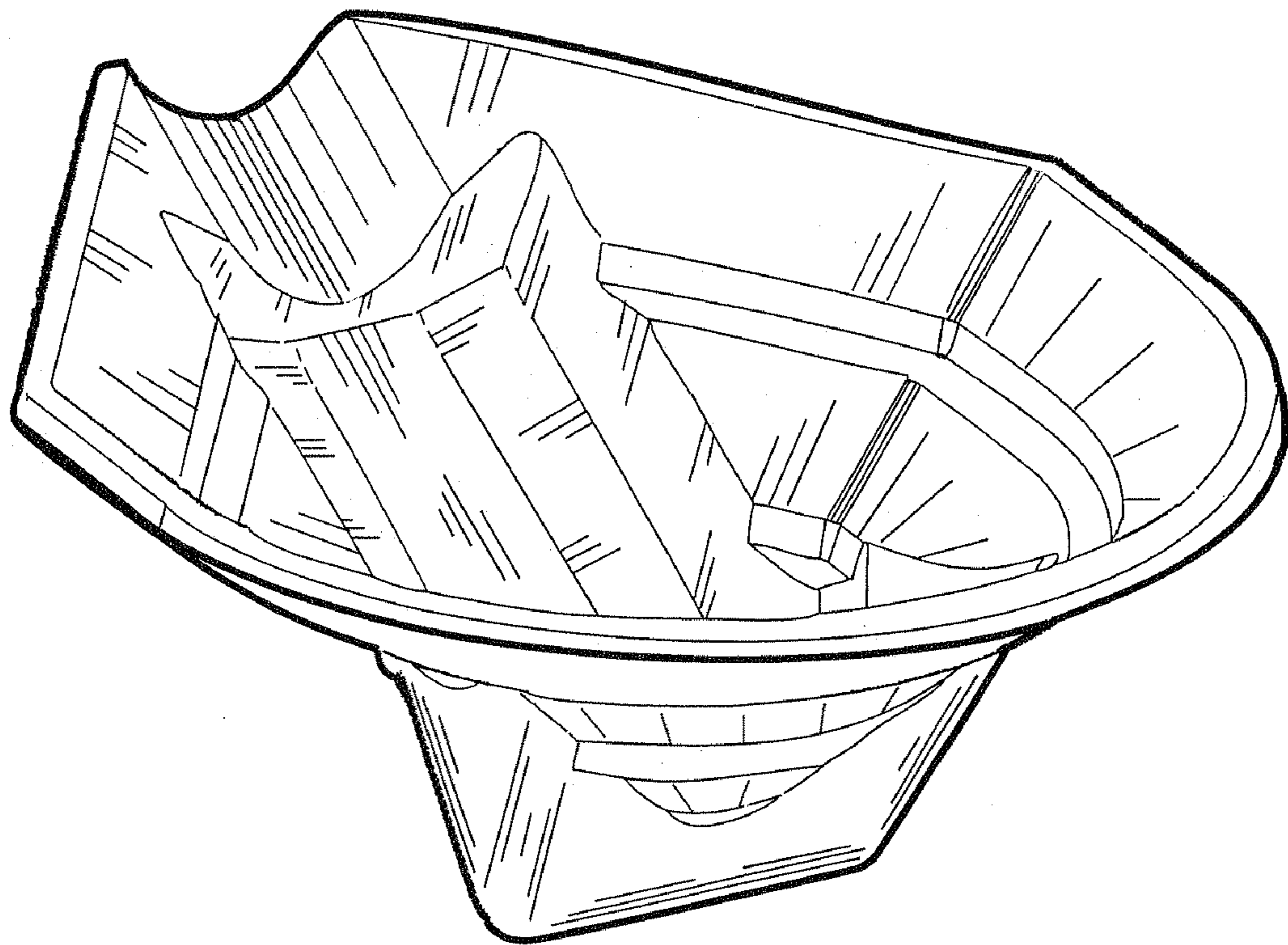
FIG. 8 is a bottom view according to FIG. 1.

**1 Claim, 8 Drawing Sheets**

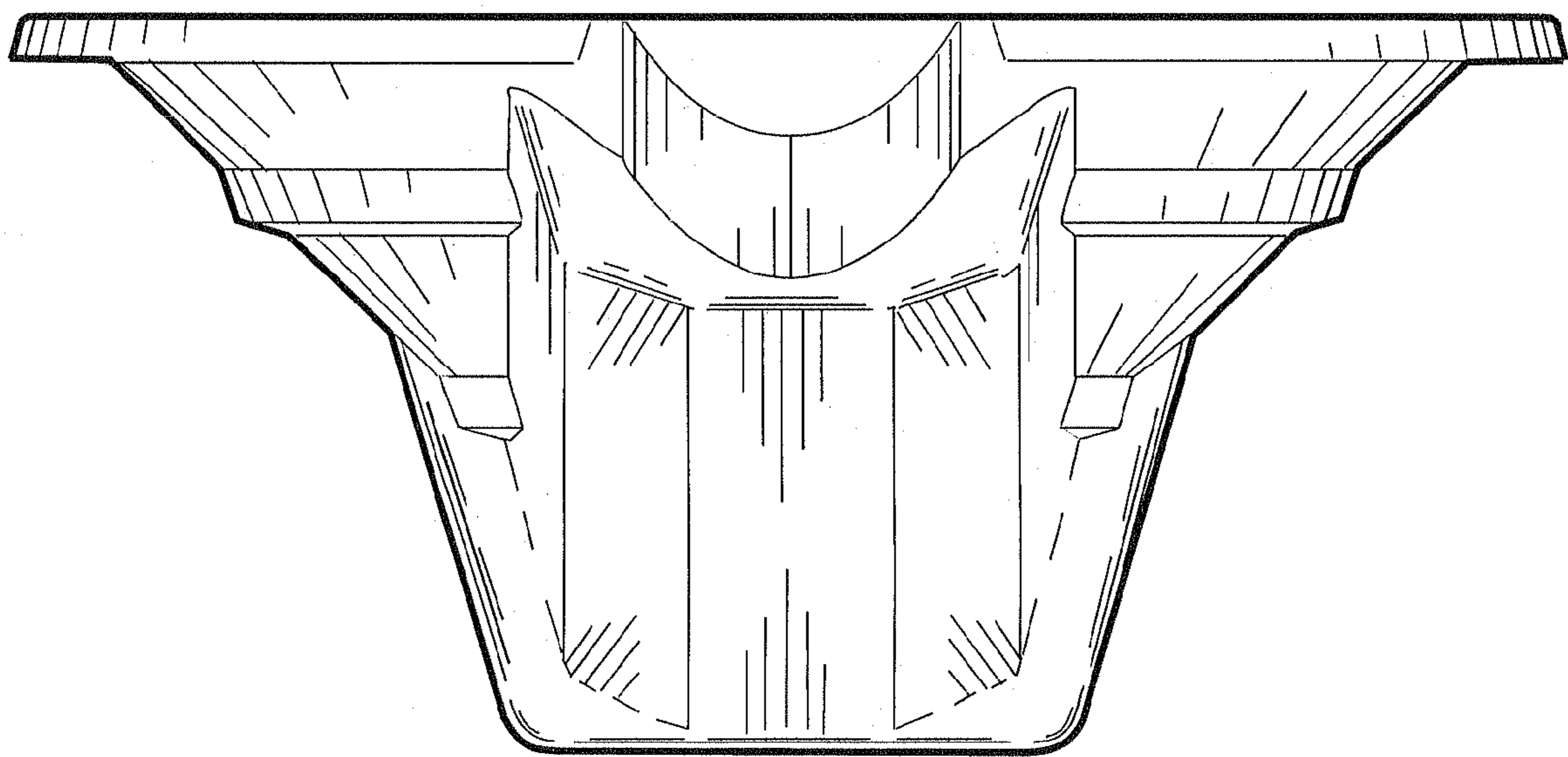




**Fig. 1**

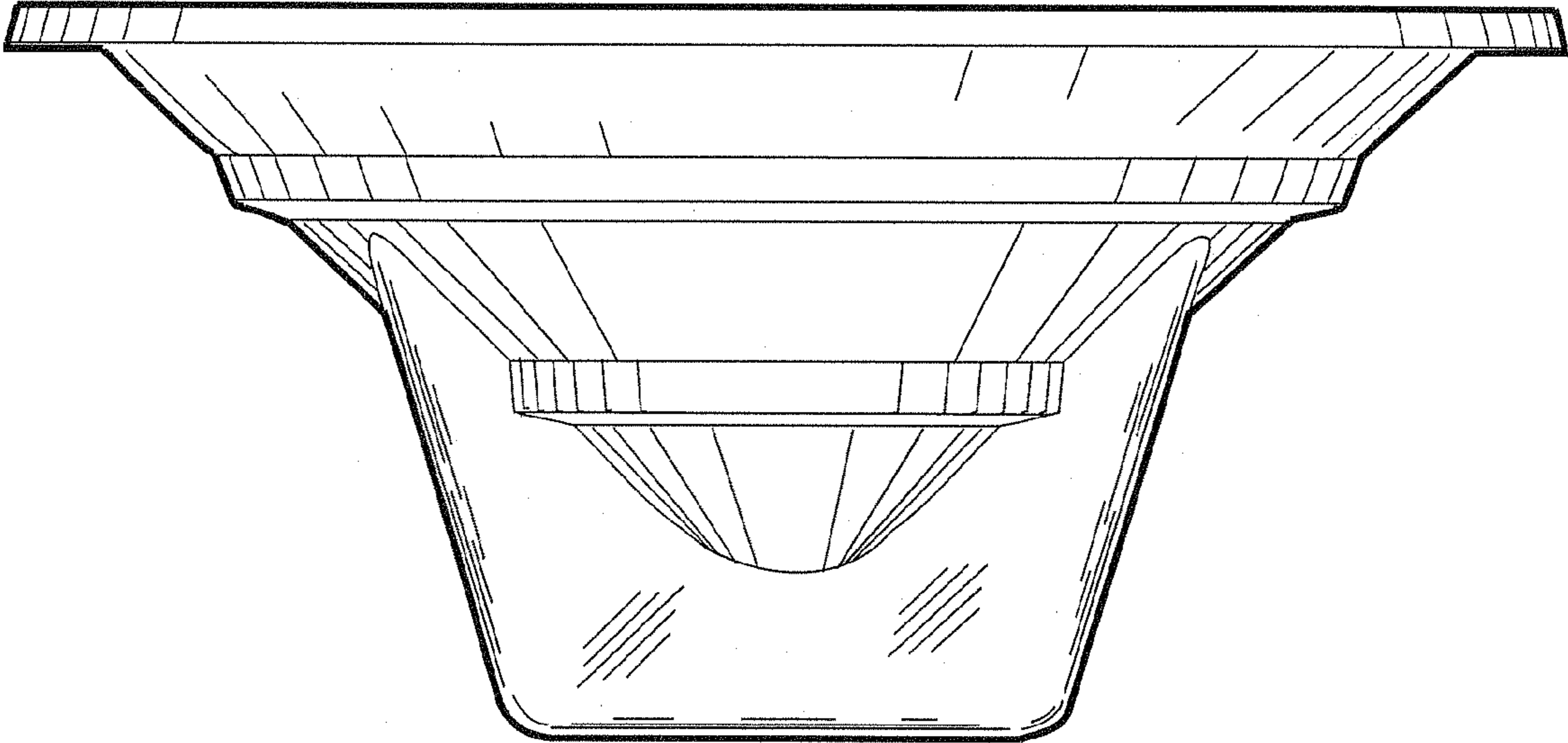


**Fig. 2**

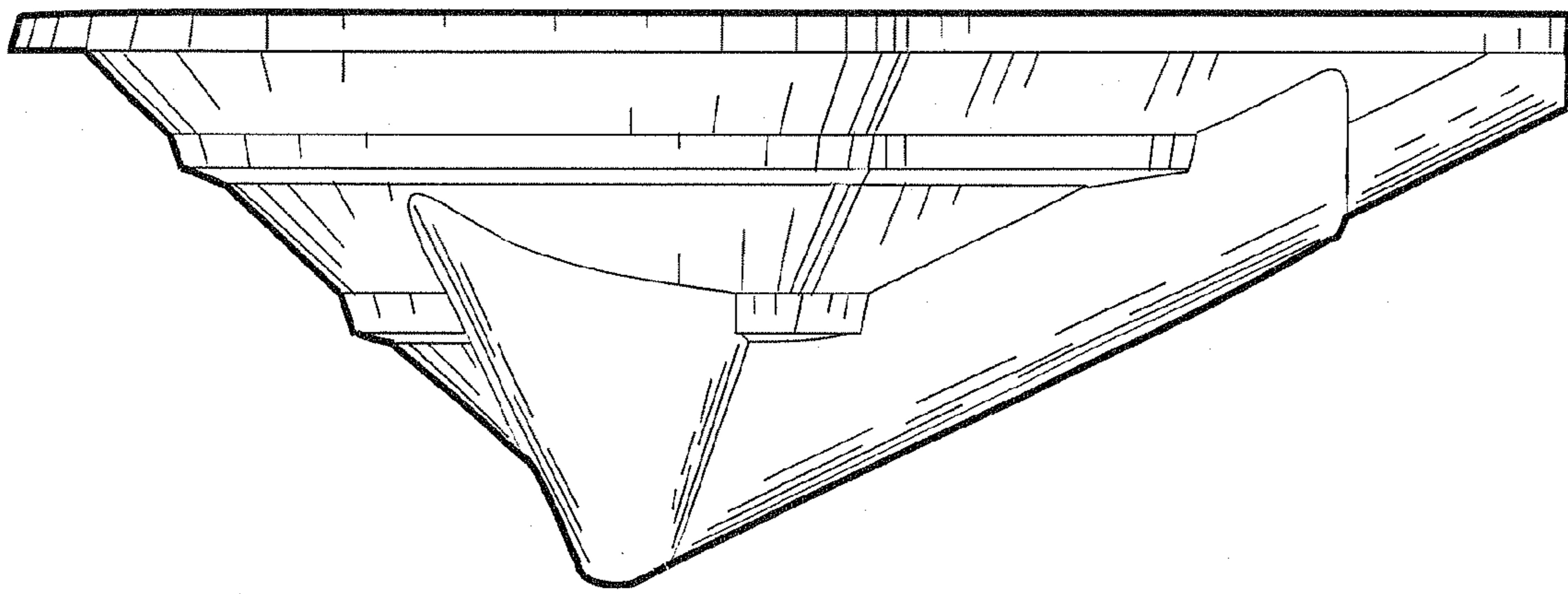


**Fig. 3**

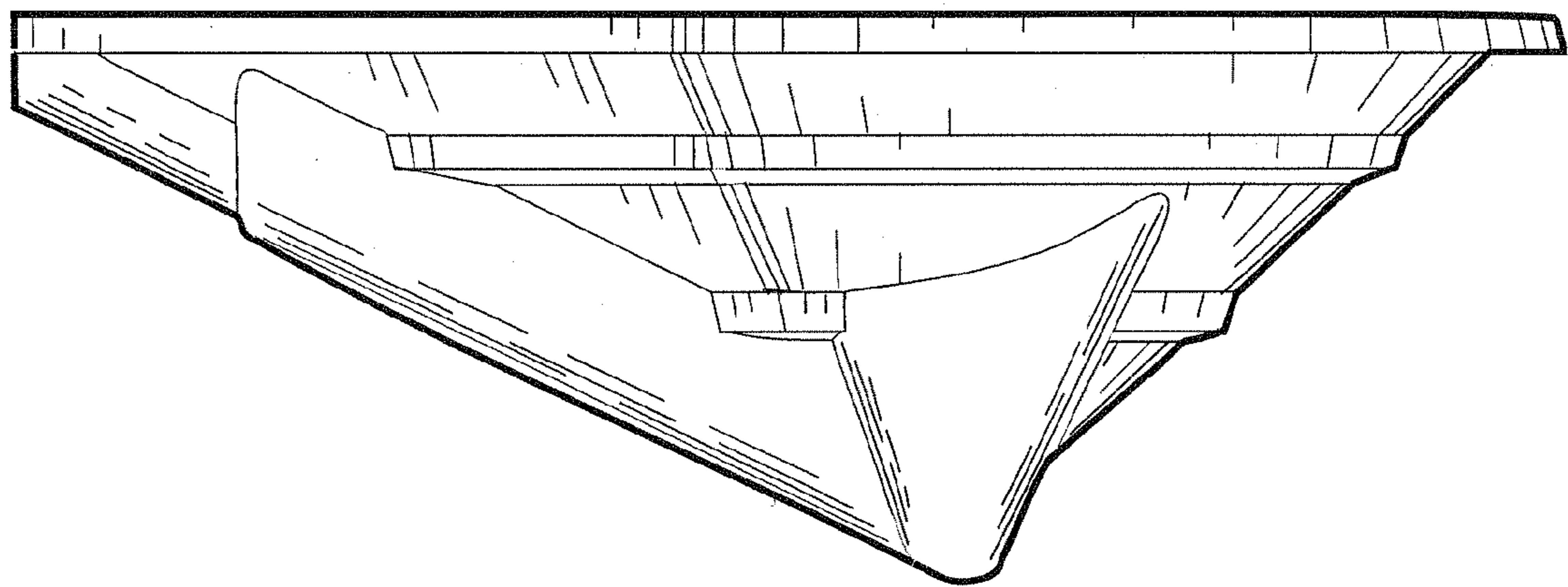




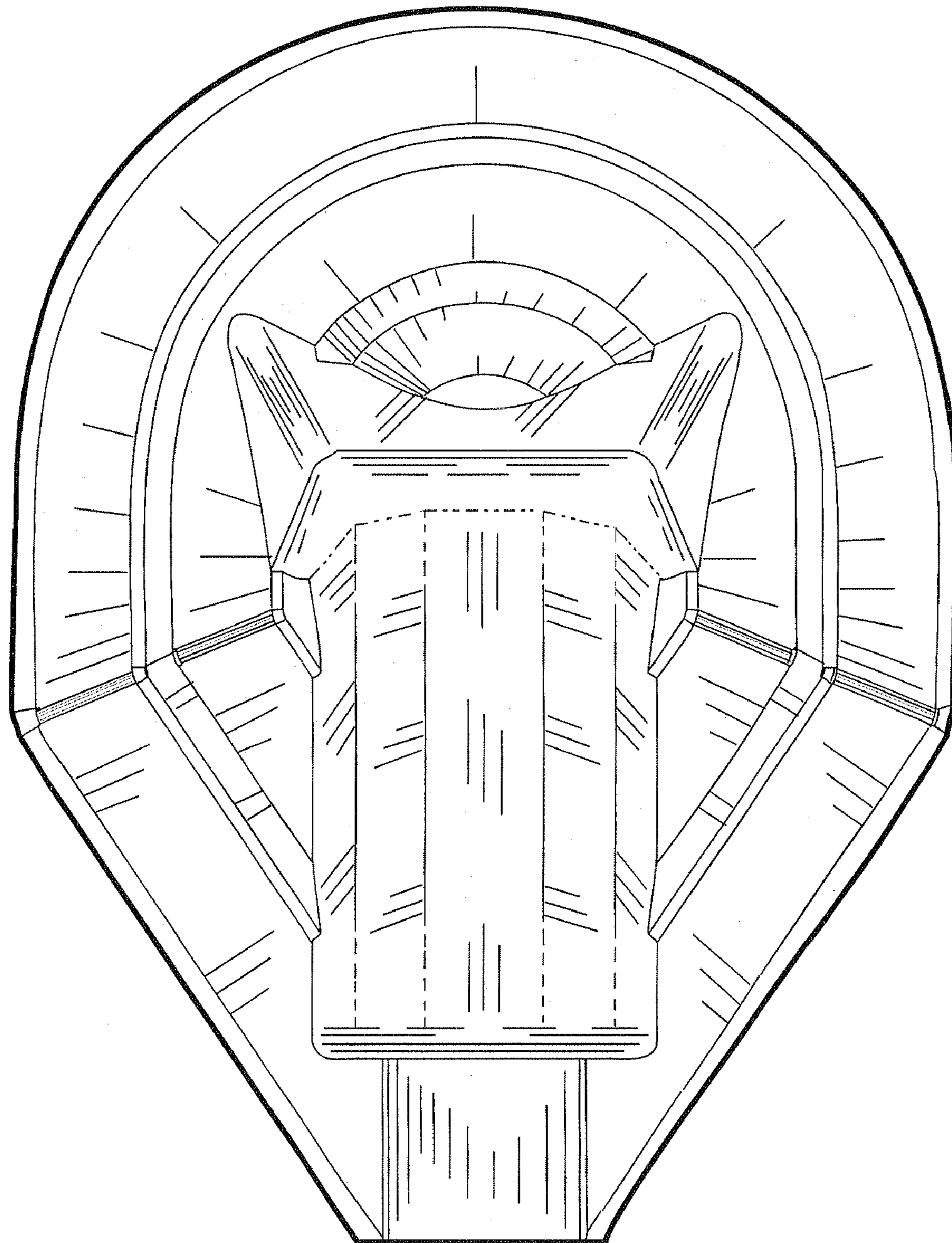
**Fig. 4**



**Fig. 5**

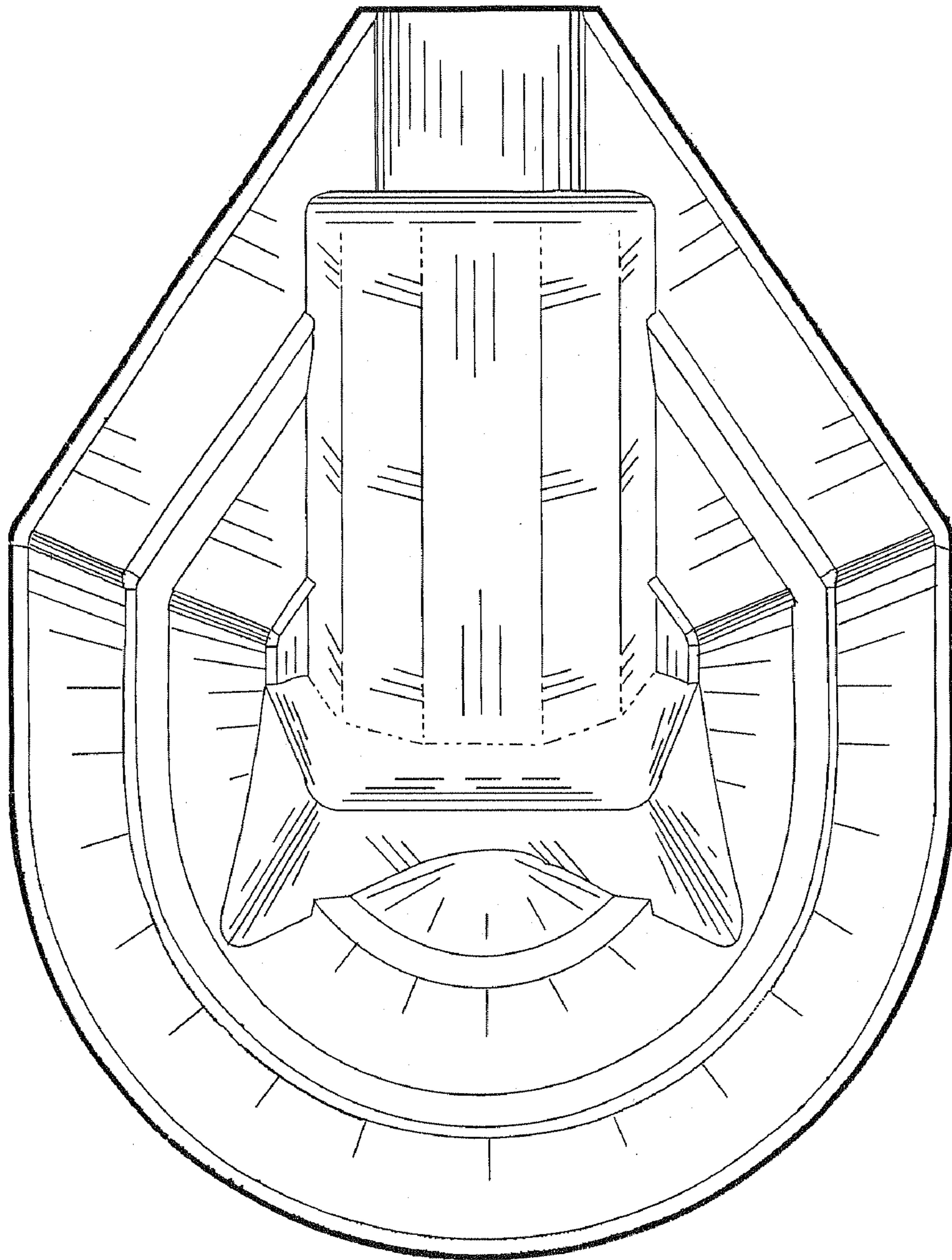


**Fig. 6**



**Fig. 7**





**Fig. 8**