



US00D555321S

(12) **United States Design Patent** (10) **Patent No.:** **US D555,321 S**
Lin (45) **Date of Patent:** **** Nov. 13, 2007**

(54) **GARBAGE CAN LID**

(76) Inventor: **Tsong-Yow Lin**, No. 57-1, Yung Ho Street, Yung Ho Village, Ta Tu Hsiang, Taichung Hsien (TW)

(**) Term: **14 Years**

(21) Appl. No.: **29/275,990**

(22) Filed: **Jan. 11, 2007**

(51) **LOC (8) Cl.** **09-09**

(52) **U.S. Cl.** **D34/11**

(58) **Field of Classification Search** D34/1, D34/7, 9, 10, 11; 220/908, 909, 213, 203, 220/200, 254.1, 254.3, 282, 203.01, 203.03; D9/447, 437, 435, 454, 440

See application file for complete search history.

(56) **References Cited**

U.S. PATENT DOCUMENTS

D484,292 S *	12/2003	Lin	D34/7
D509,339 S *	9/2005	Lin	D34/11
D509,937 S *	9/2005	Lin	D34/11
D510,469 S *	10/2005	Lin	D34/11
D529,251 S *	9/2006	Lin	D34/9
D532,952 S *	11/2006	Lin	D34/9
D537,999 S *	3/2007	Lin	D34/9

* cited by examiner

Primary Examiner—Cynthia E. Ramirez

(74) *Attorney, Agent, or Firm*—Alan Kamrath; Kamrath & Associates P.A.

(57) **CLAIM**

The ornamental design for garbage can lid, as shown and described.

DESCRIPTION

FIG. 1 is a perspective view of a garbage can lid showing my new design;

FIG. 2 is a front view thereof;

FIG. 3 is a rear view thereof;

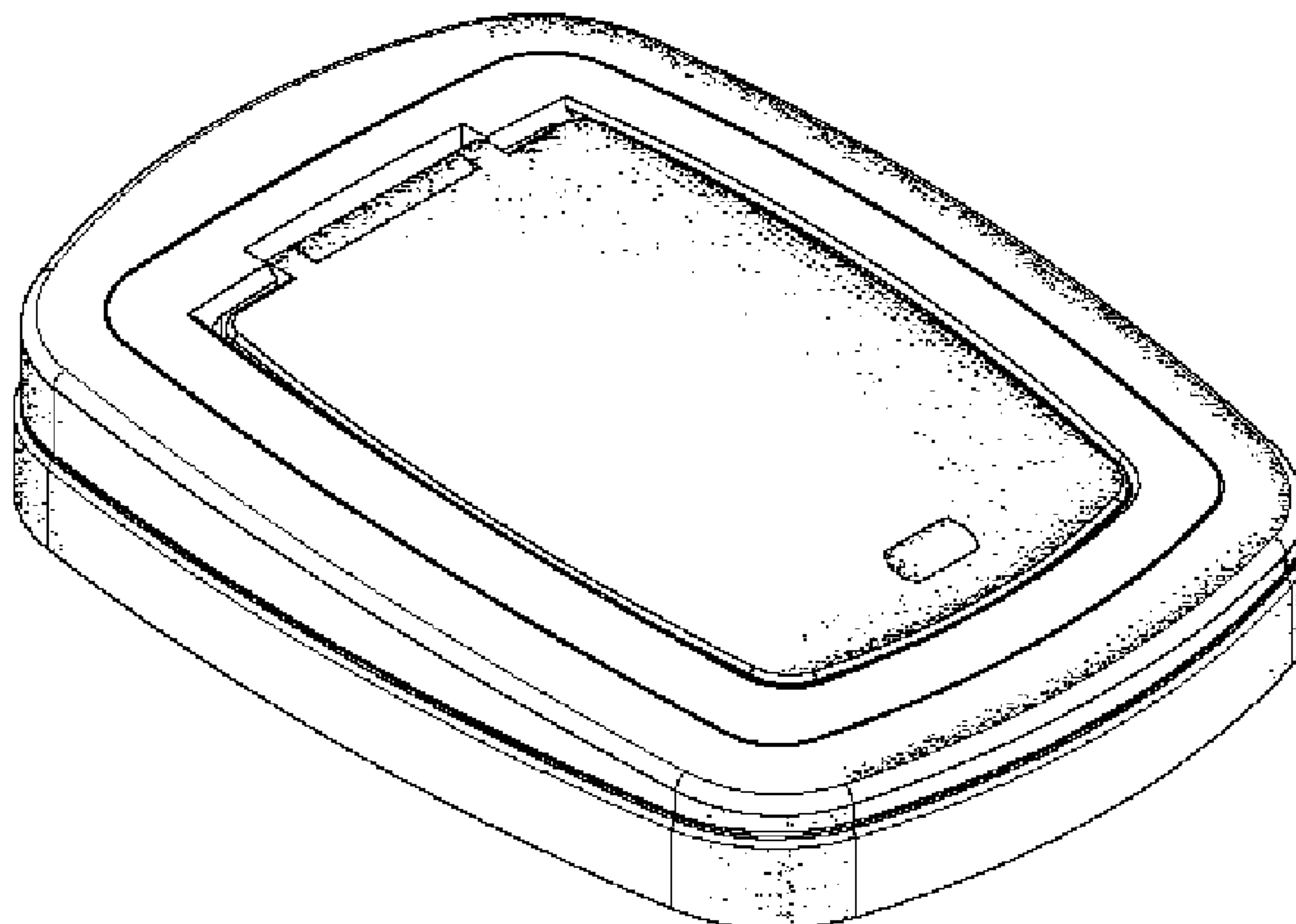
FIG. 4 is a left view thereof;

FIG. 5 is a right view thereof;

FIG. 6 is a top view thereof;

FIG. 7 is the perspective view embodying the utilization of garbage can lid in which the broken line is for illustrative purposes only and forms no part of the claimed design; and, FIG. 8 is the perspective view embodying the utilization of garbage can lid in which the broken line is for illustrative purposes only and forms no part of the claimed design.

1 Claim, 4 Drawing Sheets



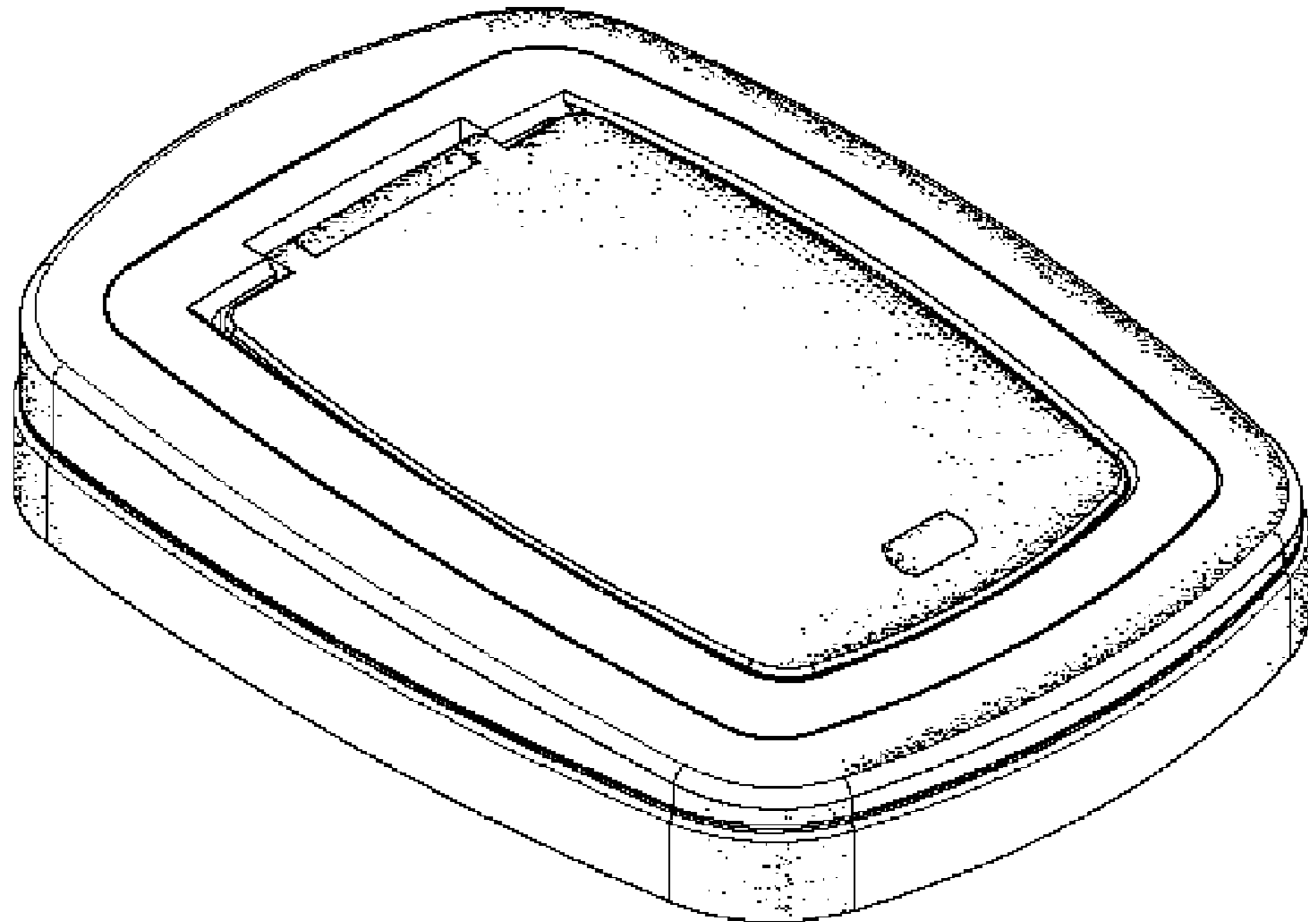


Fig. 1

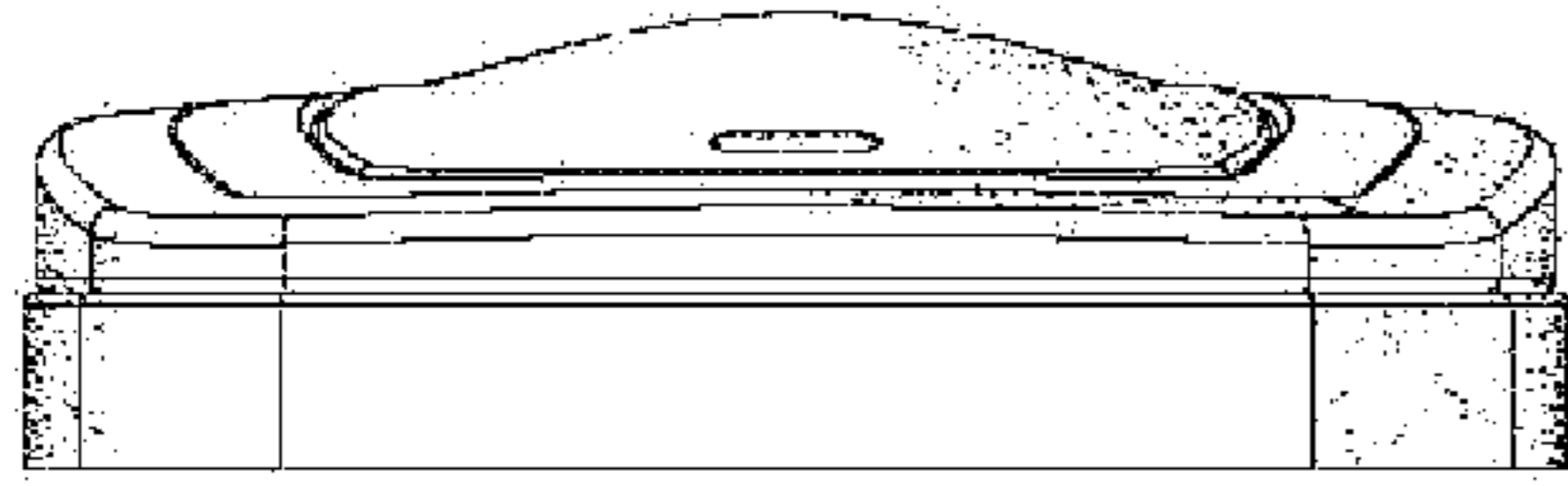


Fig.2



Fig.3

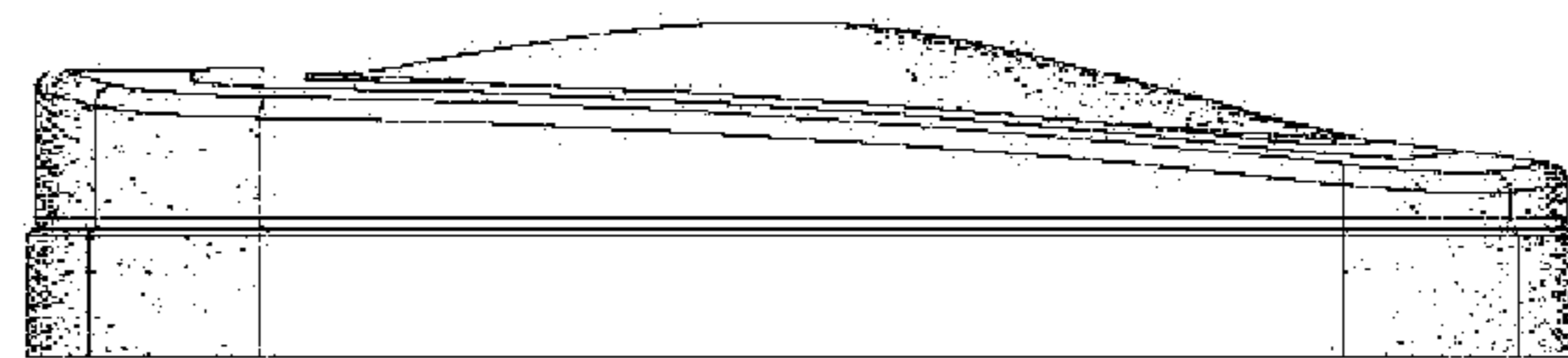


Fig.4

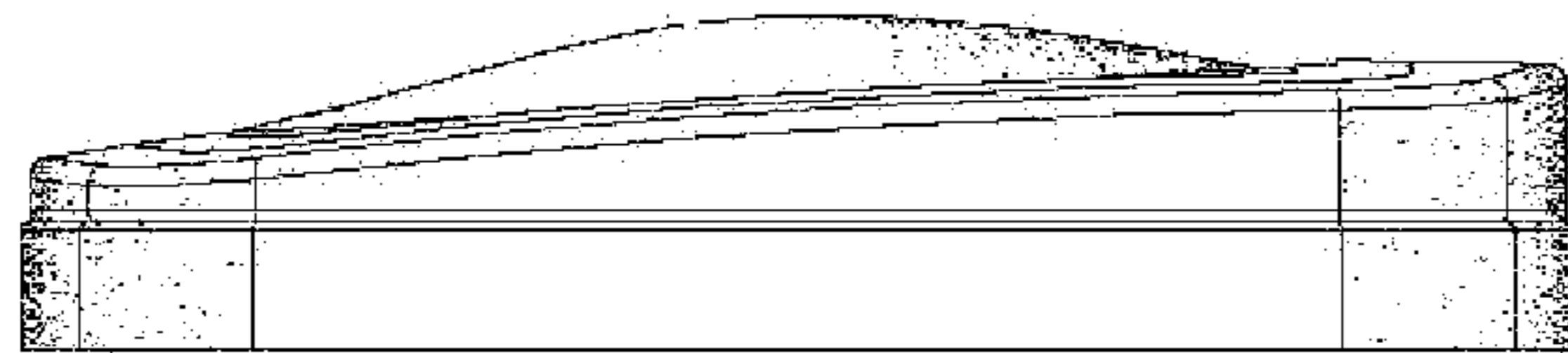


Fig.5

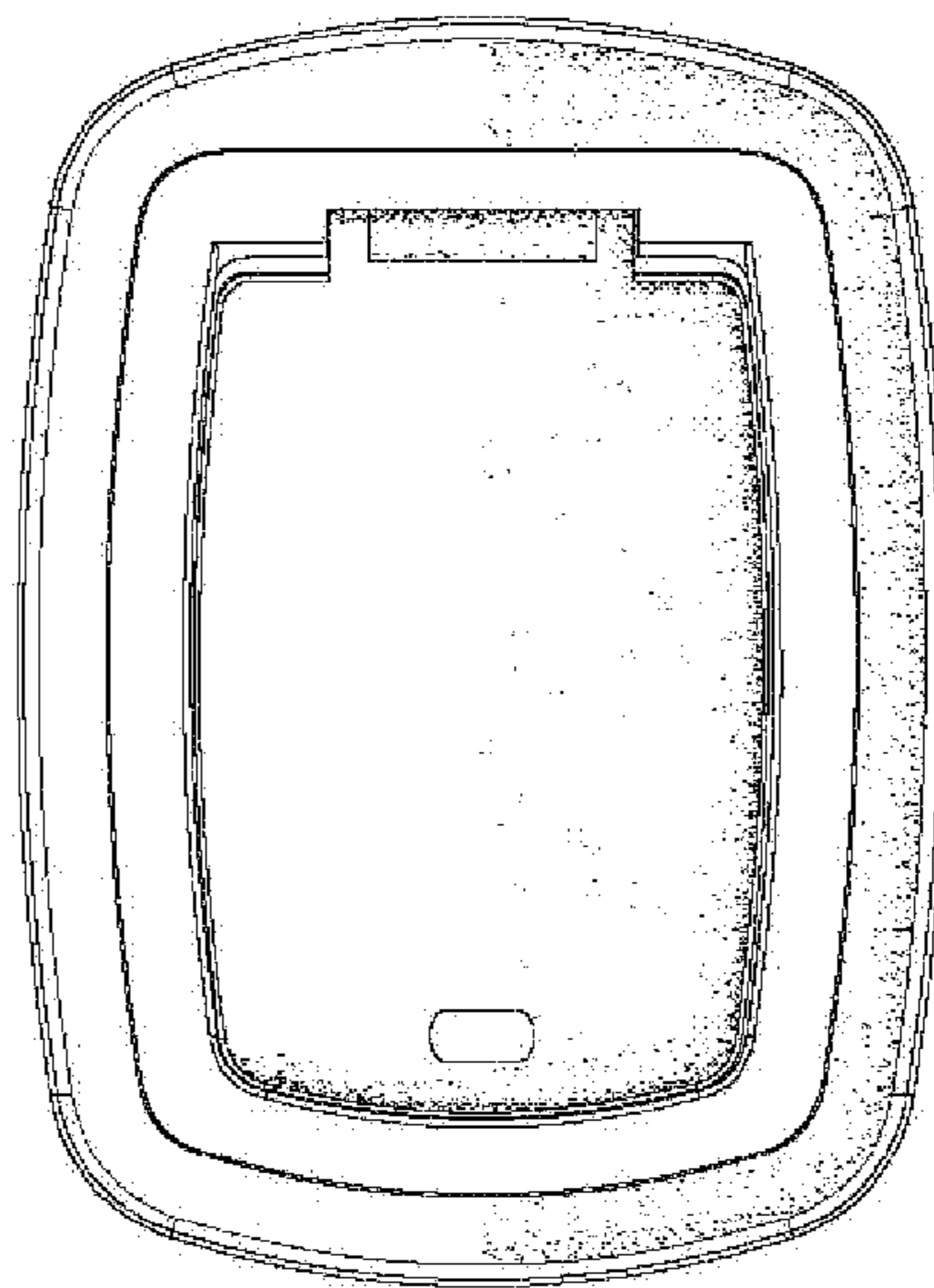


Fig.6

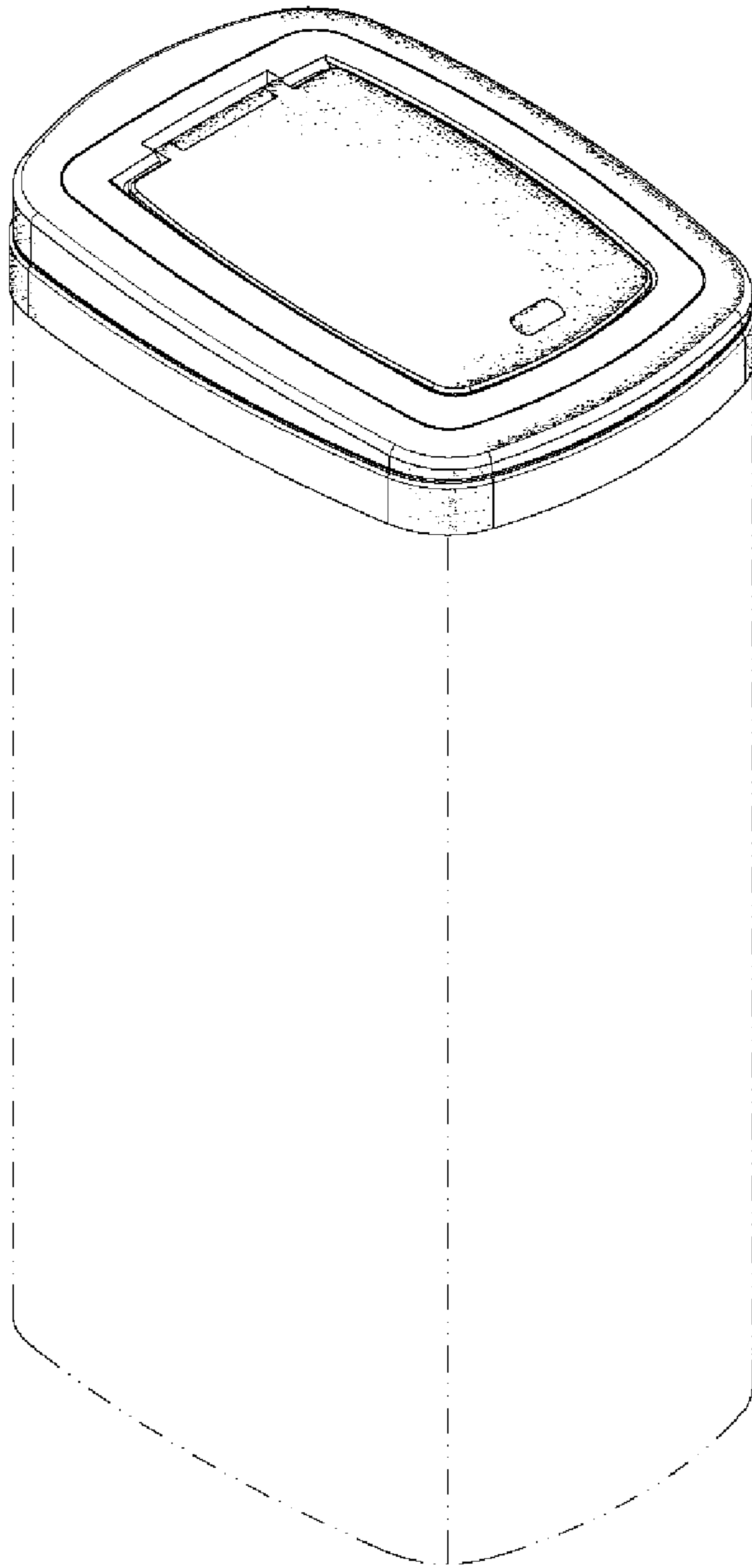


Fig.7

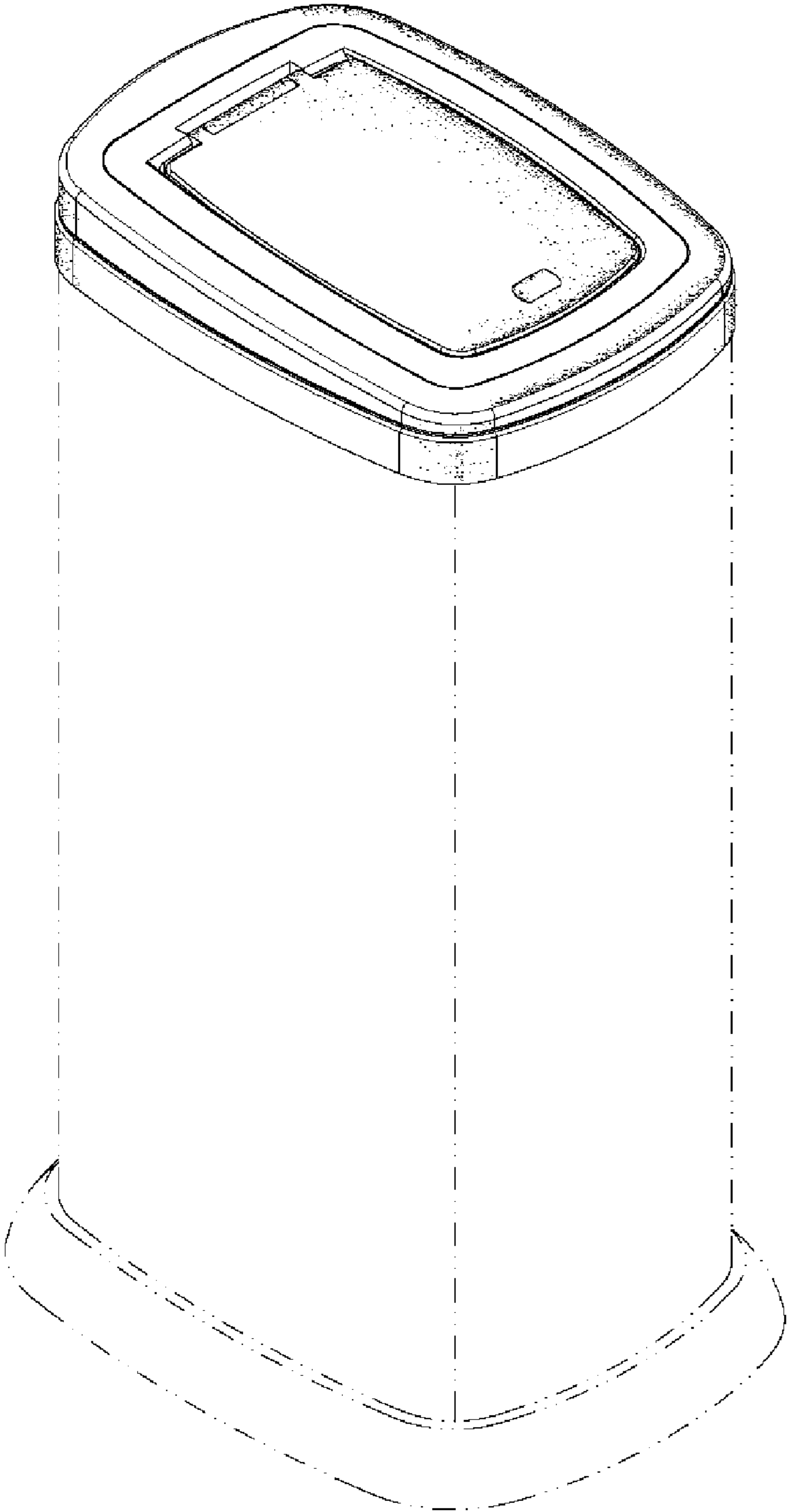


Fig.8