



US00D555312S

(12) **United States Design Patent**
Choi

(10) **Patent No.:** **US D555,312 S**

(45) **Date of Patent:** **** Nov. 13, 2007**

(54) **TRAVELING STEAM IRON**

(75) Inventor: **Lung Wai Choi**, Kowloon (CN)

(73) Assignee: **Goodway Electrical Co., Ltd.**, Hong Kong (HK)

(**) Term: **14 Years**

(21) Appl. No.: **29/242,239**

(22) Filed: **Nov. 8, 2005**

(30) **Foreign Application Priority Data**

May 9, 2005 (EM) 000343256-0002

(51) **LOC (8) Cl.** **07-05**

(52) **U.S. Cl.** **D32/69**

(58) **Field of Classification Search** D32/68-72;
38/69, 74-75, 77.1-77.8, 77.81, 77.9, 90-97,
38/88; 219/245-248, 254, 257

See application file for complete search history.

(56) **References Cited**

U.S. PATENT DOCUMENTS

- D33,286 S * 10/1900 Dippo D32/68
- D129,507 S * 9/1941 Ireland D32/70
- D143,502 S * 1/1946 Opperman D32/70
- D158,674 S * 5/1950 Lincoln D32/70
- 2,569,259 A * 9/1951 Purpura 219/248
- D175,982 S * 11/1955 Russell D32/70
- D199,268 S * 9/1964 Ernest D32/70
- D275,042 S * 8/1984 Stowell et al. D32/70

- D276,473 S * 11/1984 Ogawa et al. D32/70
- 4,594,801 A * 6/1986 Gronwick et al. 38/90
- D285,738 S * 9/1986 Ogawa et al. D32/70
- D431,338 S * 9/2000 Zanardo D32/70

* cited by examiner

Primary Examiner—Alan P. Douglas

Assistant Examiner—Barbara Fox

(74) *Attorney, Agent, or Firm*—Ostrolenk, Faber, Gerb & Soffen, LLP

(57) **CLAIM**

The ornamental design for a traveling steam iron, as shown and described.

DESCRIPTION

FIG. 1 is a front, right side, perspective view of a steam iron showing my new design;

FIG. 2 is a front view thereof;

FIG. 3 is a left side view thereof;

FIG. 4 is a right side view thereof;

FIG. 5 is a rear view thereof;

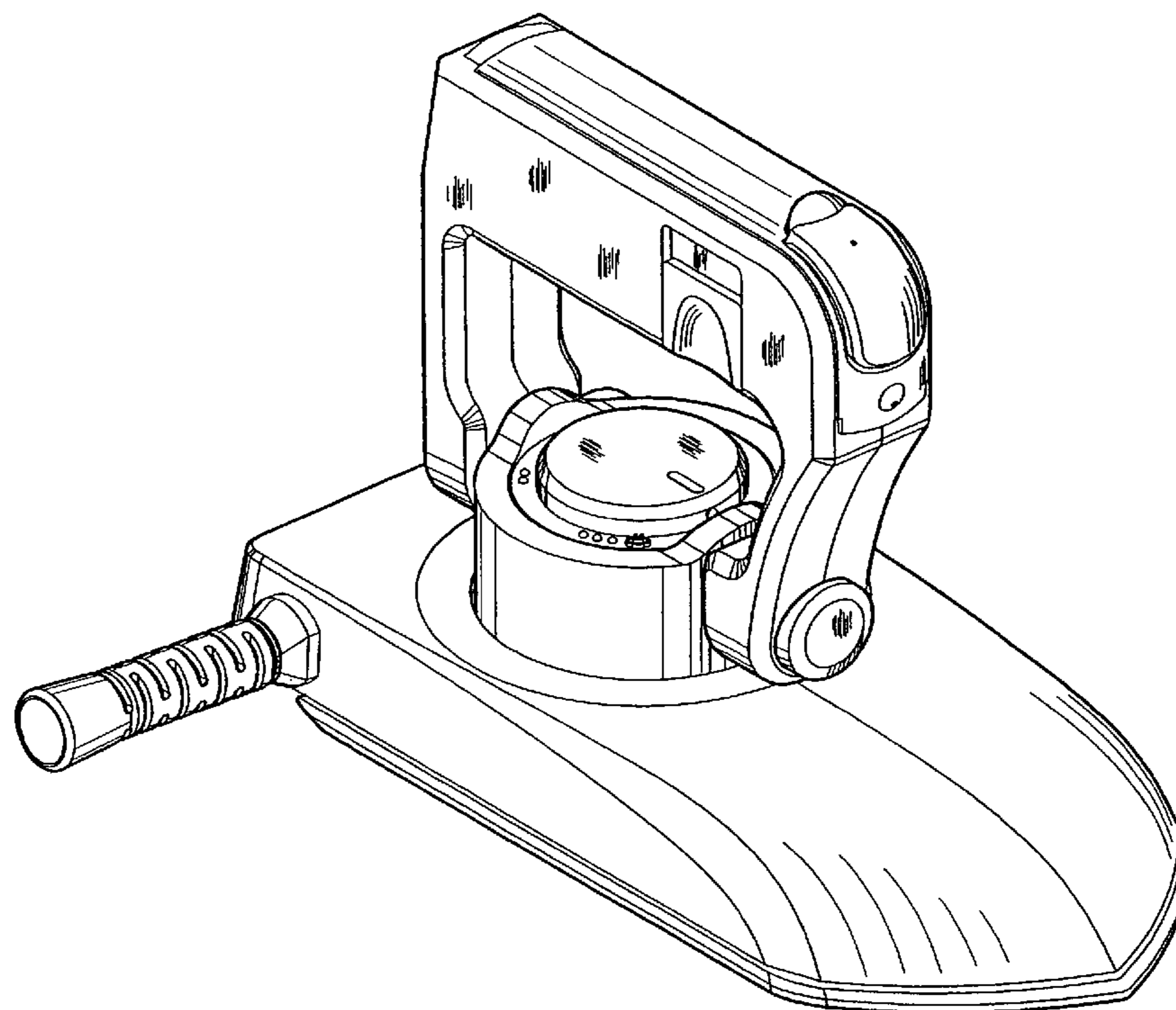
FIG. 6 is a top view thereof;

FIG. 7 is a bottom view thereof; and,

FIG. 8 is a perspective view thereof in an alternate condition.

The feature shown in broken lines in FIG. 7 is environmental structure that forms no part of the claimed design.

1 Claim, 8 Drawing Sheets



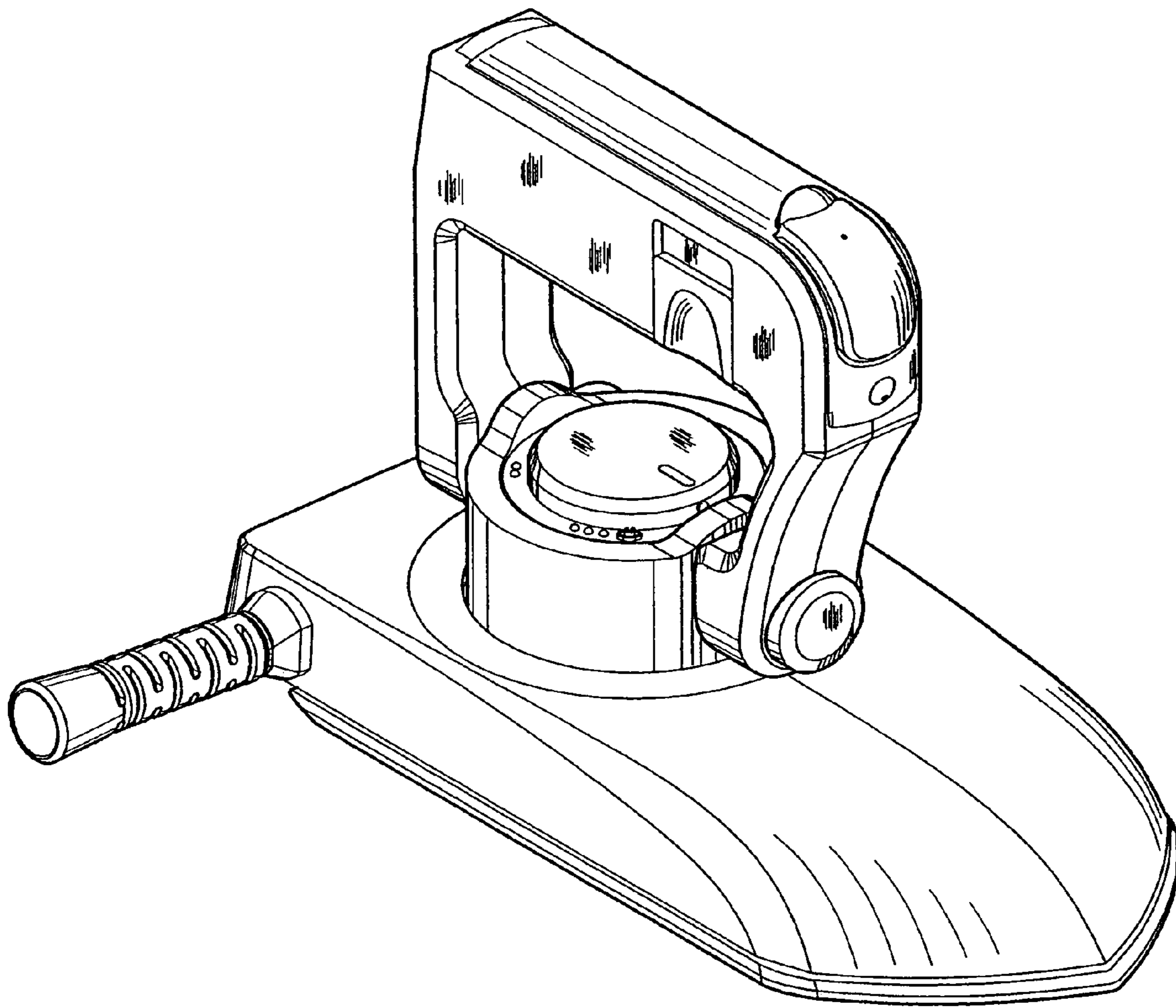


Fig. 1

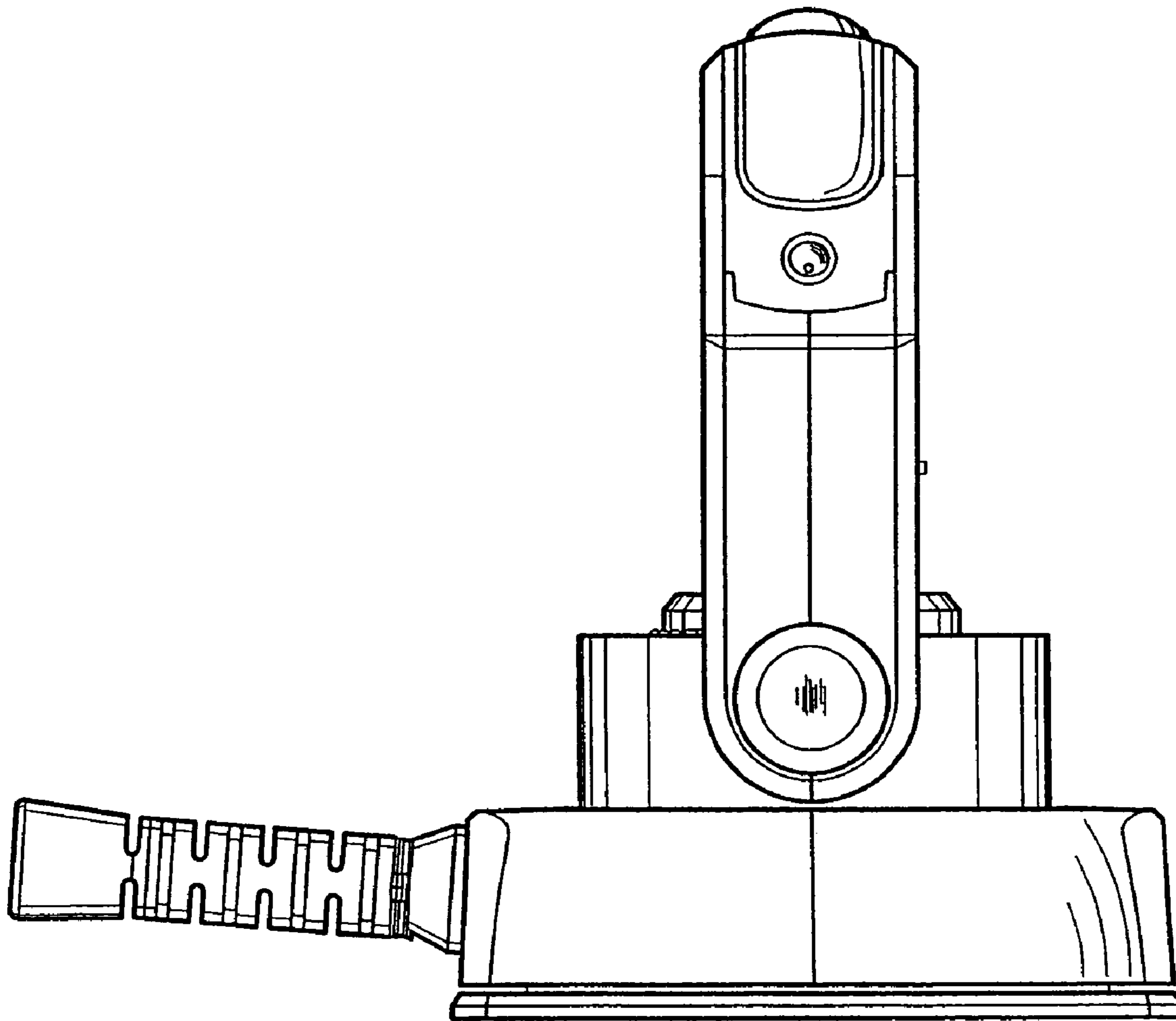


Fig. 2

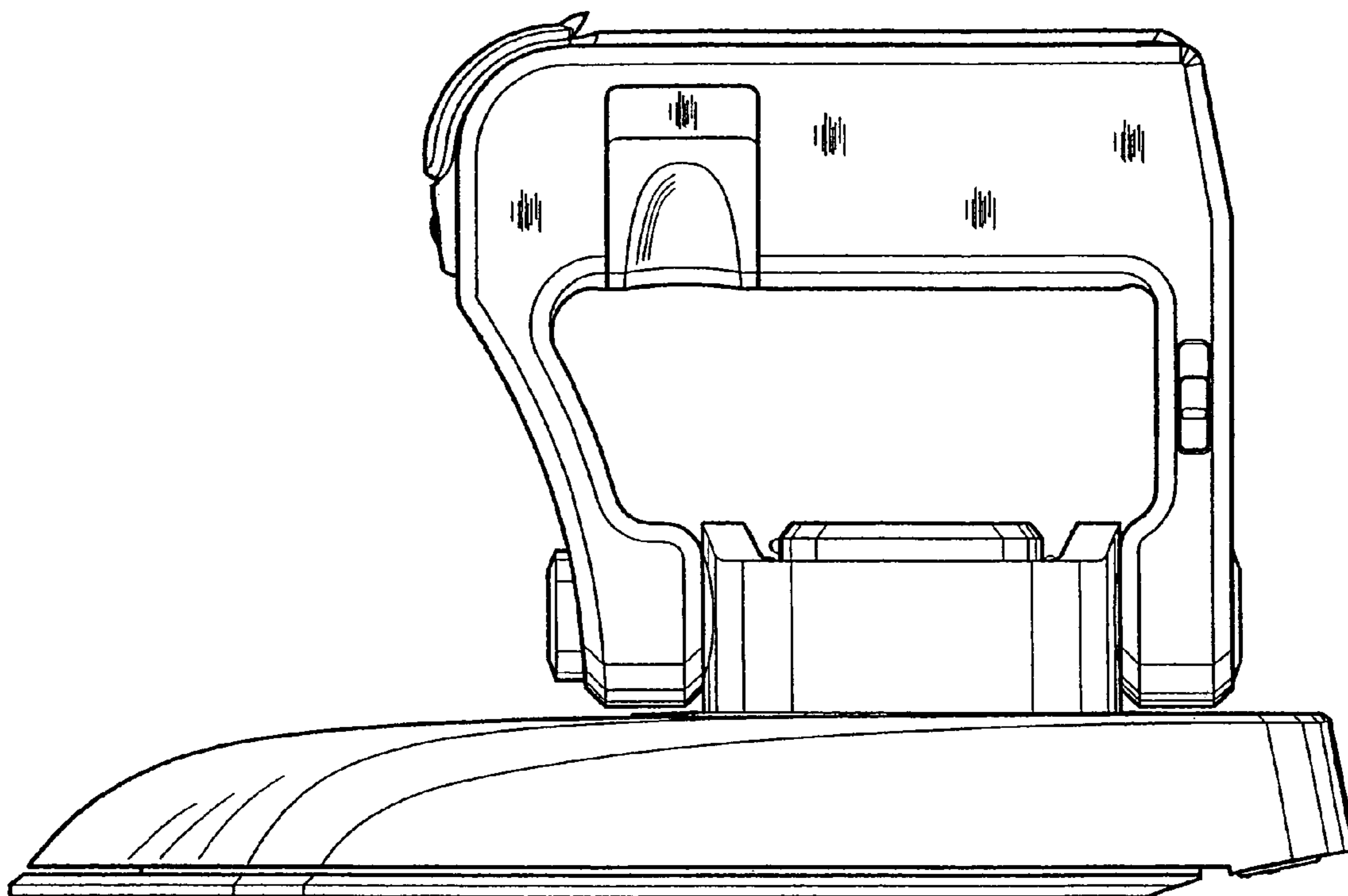


Fig. 3

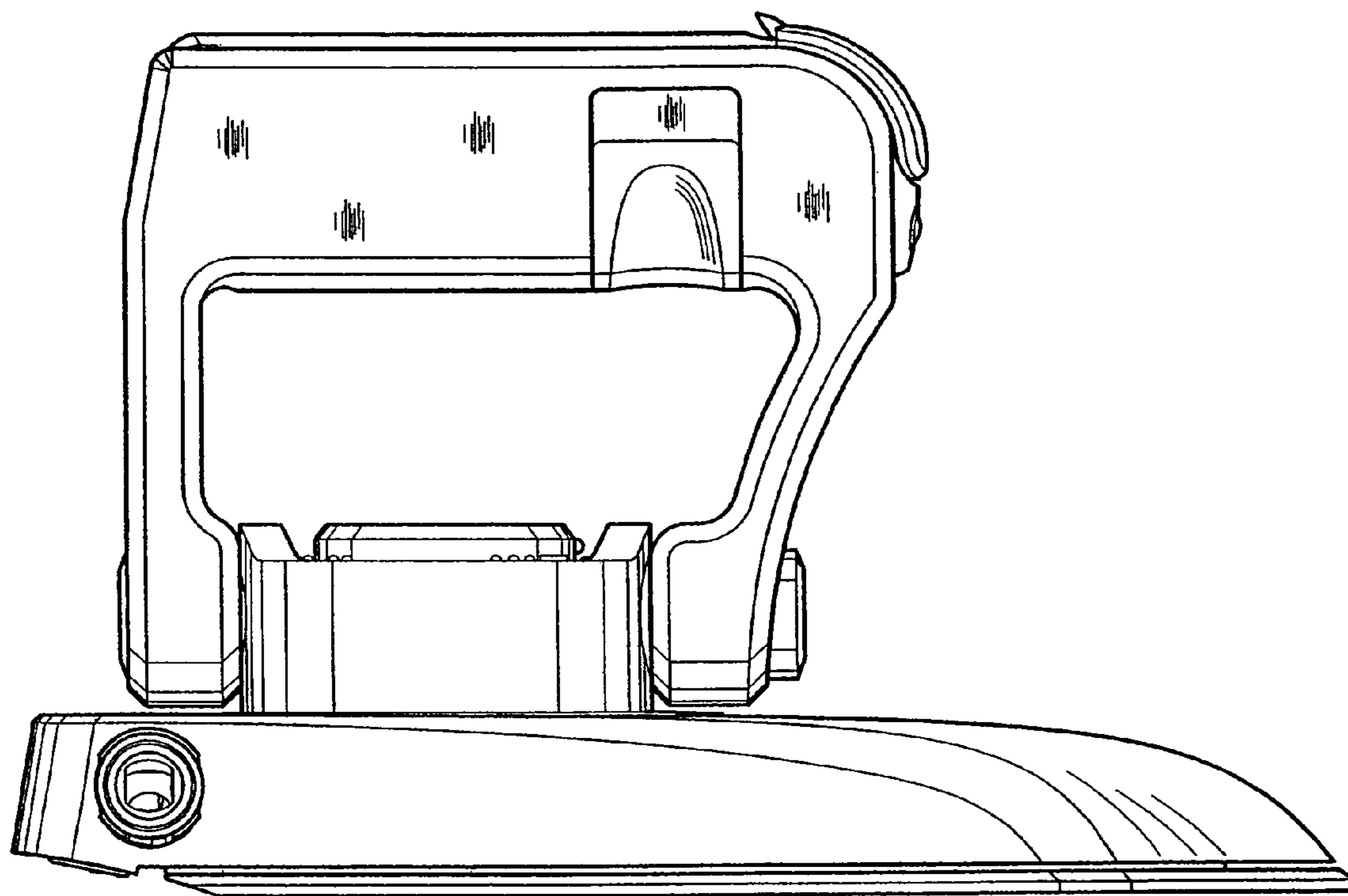


Fig. 4

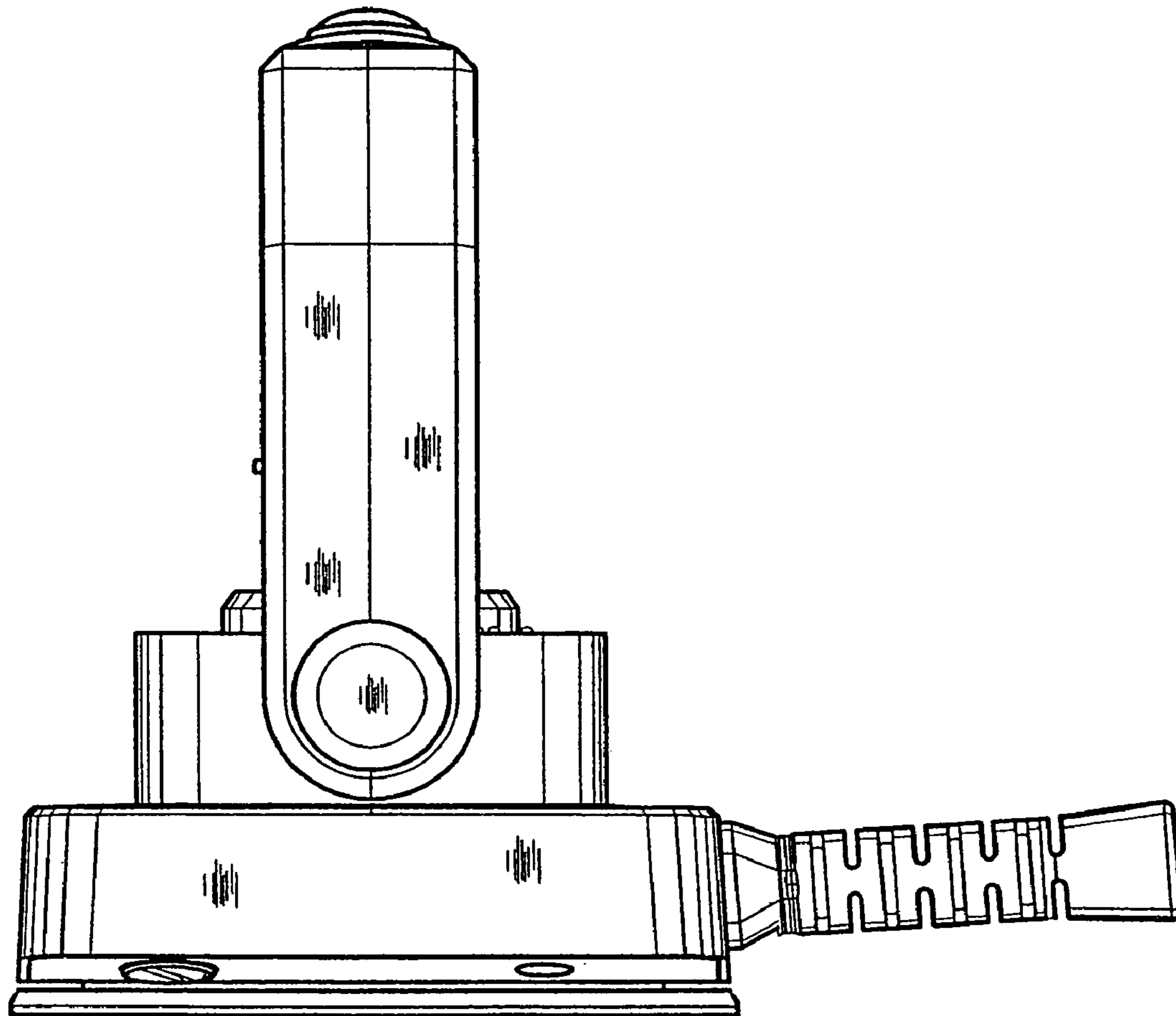


Fig. 5

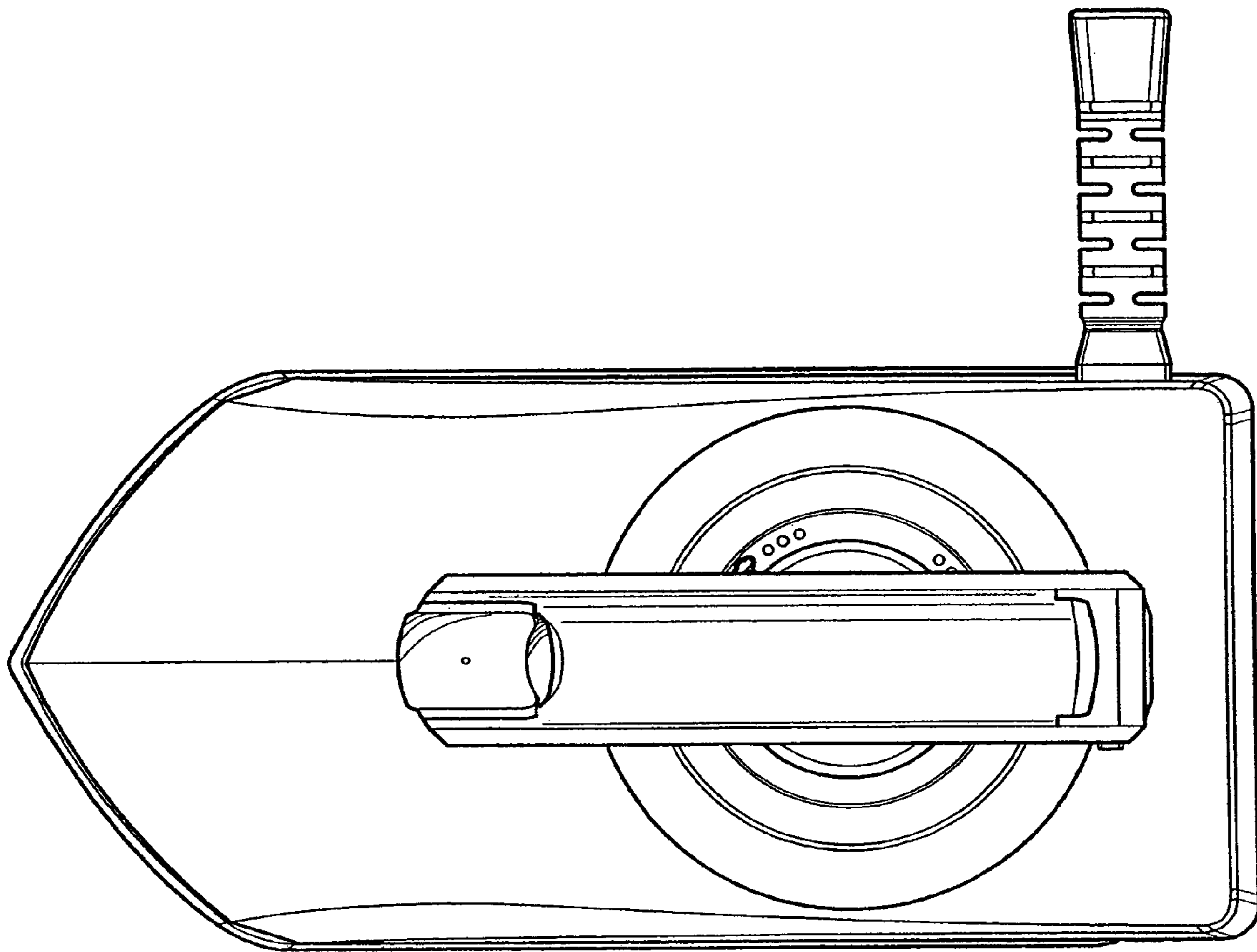


Fig. 6

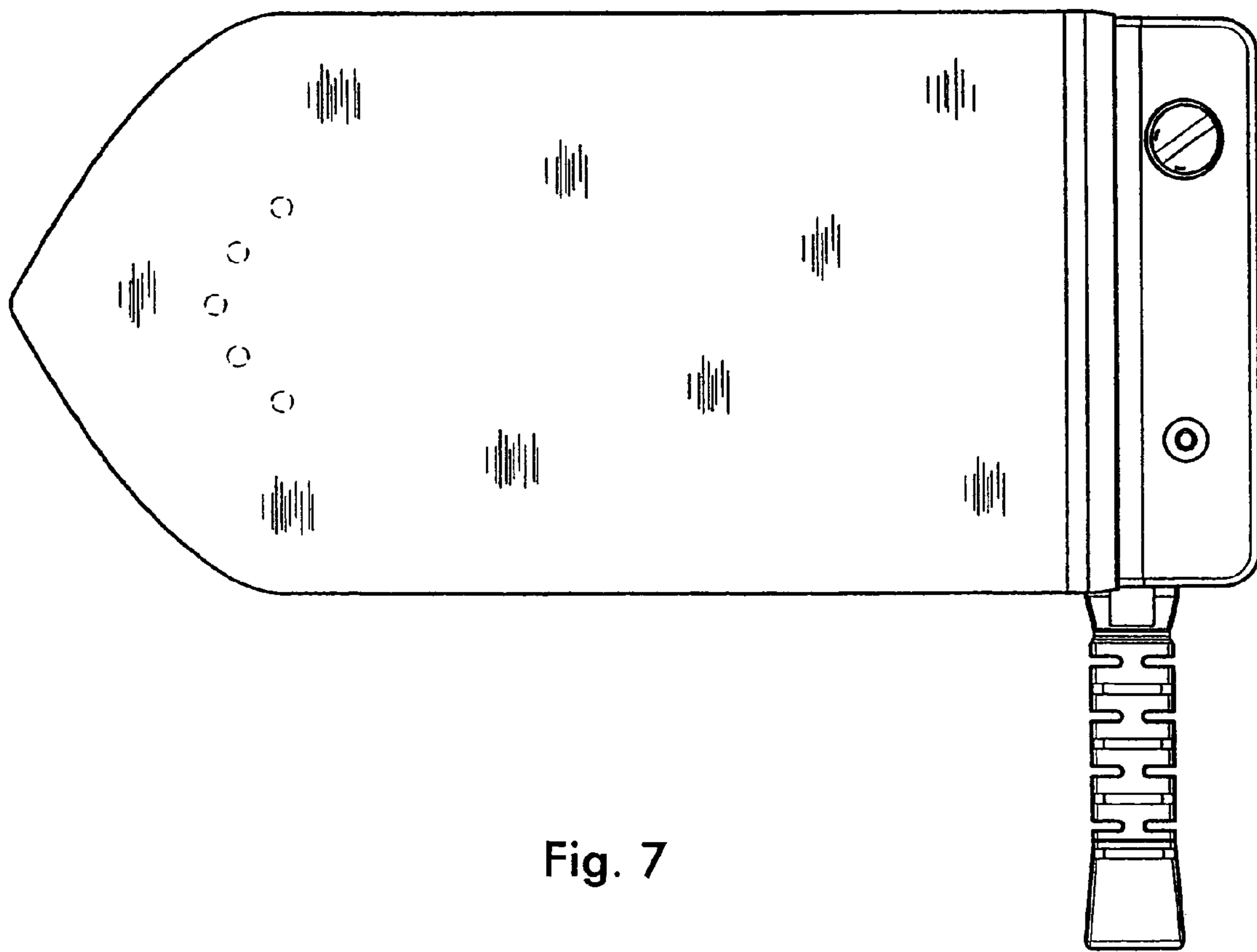


Fig. 7

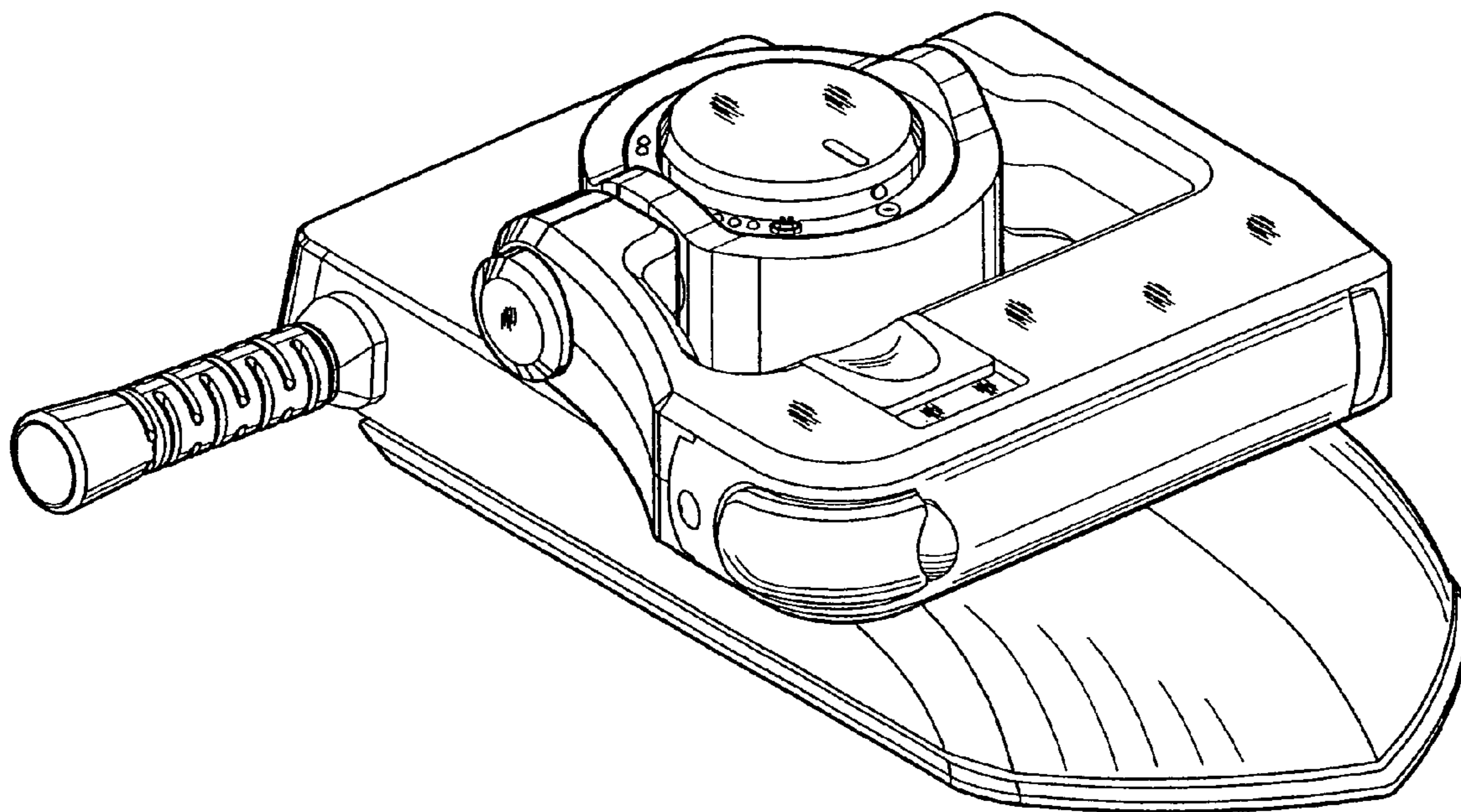


Fig. 8