



US00D555310S

(12) **United States Design Patent**  
**Yang et al.**

(10) **Patent No.:** **US D555,310 S**

(45) **Date of Patent:** **\*\* Nov. 13, 2007**

(54) **DISH RACK**

(75) Inventors: **Frank Yang**, Rancho Palos Verdes, CA (US); **Myk Wayne Lum**, Irvine, CA (US); **Yoon J Kim**, Long Beach, CA (US); **Tzu-Hao Wei**, Hacienda Heights, CA (US); **Chih-Hong Hsieh**, West Covina, CA (US); **Joseph Sandor**, Santa Ana Heights, CA (US)

(73) Assignee: **Simplehuman LLC**, Torrance, CA (US)

(\*\*) Term: **14 Years**

(21) Appl. No.: **29/268,900**

(22) Filed: **Nov. 15, 2006**

(51) **LOC (8) Cl.** ..... **07-05**

(52) **U.S. Cl.** ..... **D32/55**

(58) **Field of Classification Search** ..... D32/55-56, D32/58; 4/637, 656; 211/41.2-41.4, 41.8-41.9, 211/85.25, 126.8-126.9, 181.1; 220/485, 220/487-488, 494, 572; D6/462

See application file for complete search history.

4,974,806 A	12/1990	Matern	
4,974,896 A	12/1990	Matern	
D321,771 S	11/1991	Cavicchia	
5,119,943 A	6/1992	Hoang	
5,158,184 A *	10/1992	Craft et al.	211/41.3
D347,718 S	6/1994	Craft et al.	
5,431,294 A	7/1995	Stottmann et al.	
D370,323 S	5/1996	Lafond	
D373,866 S	9/1996	Belden et al.	
D376,882 S	12/1996	Cook	
5,605,236 A	2/1997	Welch	
5,704,492 A	1/1998	Bartko	
5,775,518 A	7/1998	Connor	
D397,534 S *	8/1998	Alvarez	D32/55
D398,725 S *	9/1998	Merkel	D32/55
6,021,906 A *	2/2000	Heien	211/41.3
D423,160 S	4/2000	Lenney	
6,109,455 A	8/2000	Schroeder	
6,364,131 B1	4/2002	Moylan	
6,371,312 B1	4/2002	Tsuchida	
6,659,406 B2	12/2003	Tsuchida	
D488,891 S	4/2004	Simth et al.	
D520,699 S *	5/2006	Yang et al.	D32/55
2002/0185166 A1	12/2002	Rosenbauer et al.	

\* cited by examiner

*Primary Examiner*—Pamela J. Burgess

(74) *Attorney, Agent, or Firm*—Raymond Sun

(56)

**References Cited**

U.S. PATENT DOCUMENTS

591,377 A	10/1897	Bunce
1,604,608 A	10/1926	Ryerson
1,682,654 A	8/1928	Andrews
D97,654 S	11/1935	Watral
2,708,037 A	5/1955	Planeta
2,739,715 A	3/1956	Planeta
2,864,509 A	12/1958	Watral
2,885,087 A	5/1959	Bliss
2,886,087 A	5/1959	Pasinski
2,936,898 A	5/1960	Miguez
D189,311 S	11/1960	Christoffersen
3,203,557 A	8/1965	Ettlinger, Jr.
3,217,890 A	11/1965	Maslow
3,433,363 A	3/1969	Clearman
3,941,273 A	3/1976	Dalencon
3,960,290 A	6/1976	Yake et al.
D271,339 S	11/1983	Lee
4,635,799 A	1/1987	Penner

(57)

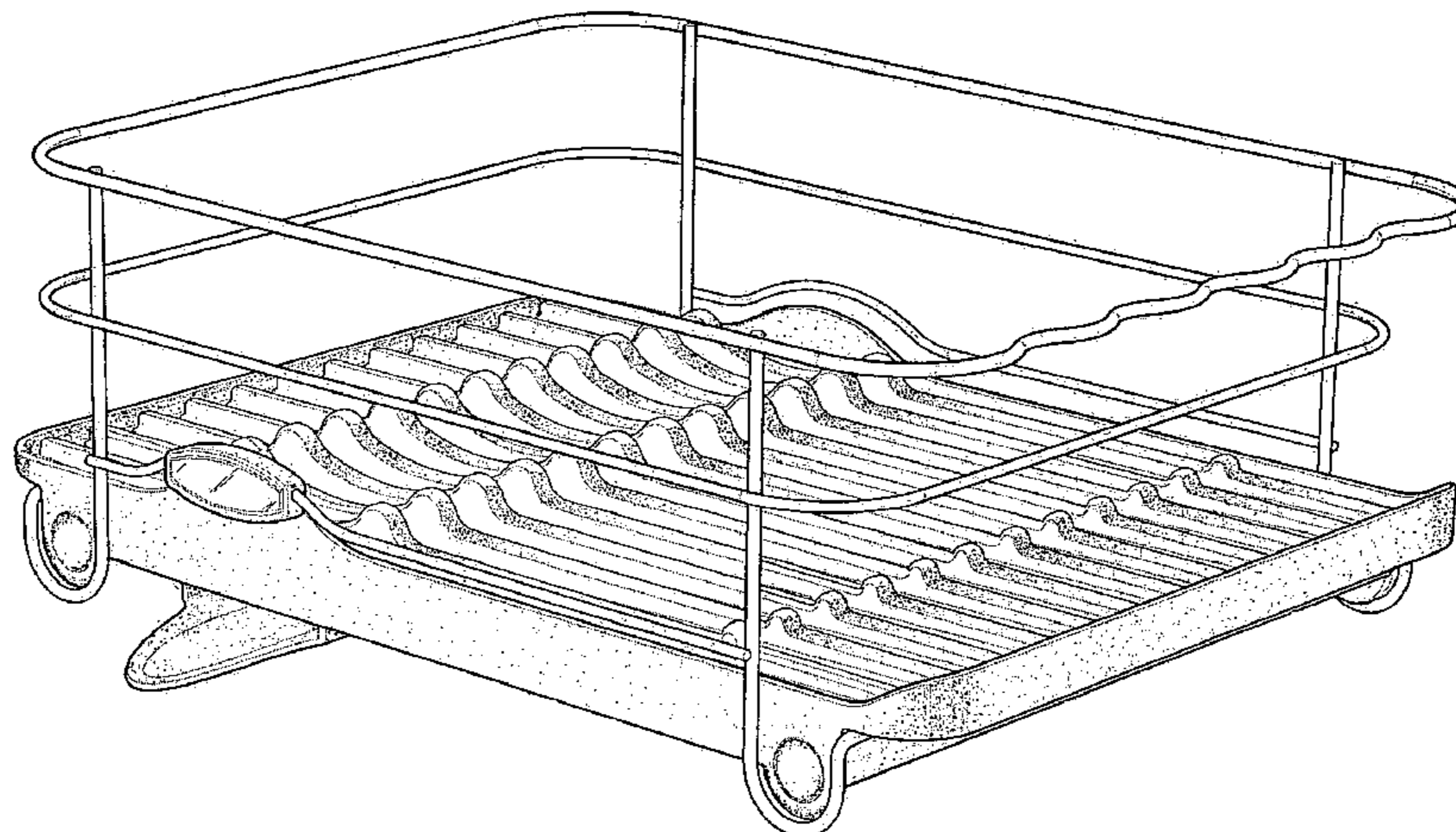
**CLAIM**

The ornamental design for a dish rack, as shown and described.

**DESCRIPTION**

FIG. 1 is a perspective view of the dish rack.  
FIG. 2 is a front plan view of the dish rack of FIG. 1.  
FIG. 3 is a rear plan view of the dish rack of FIG. 1.  
FIG. 4 is a left side plan view of the dish rack of FIG. 1.  
FIG. 5 is a right side plan view of the dish rack of FIG. 1.  
FIG. 6 is a top plan view of the dish rack of FIG. 1; and,  
FIG. 7 is a bottom plan view of the dish rack of FIG. 1.

**1 Claim, 7 Drawing Sheets**



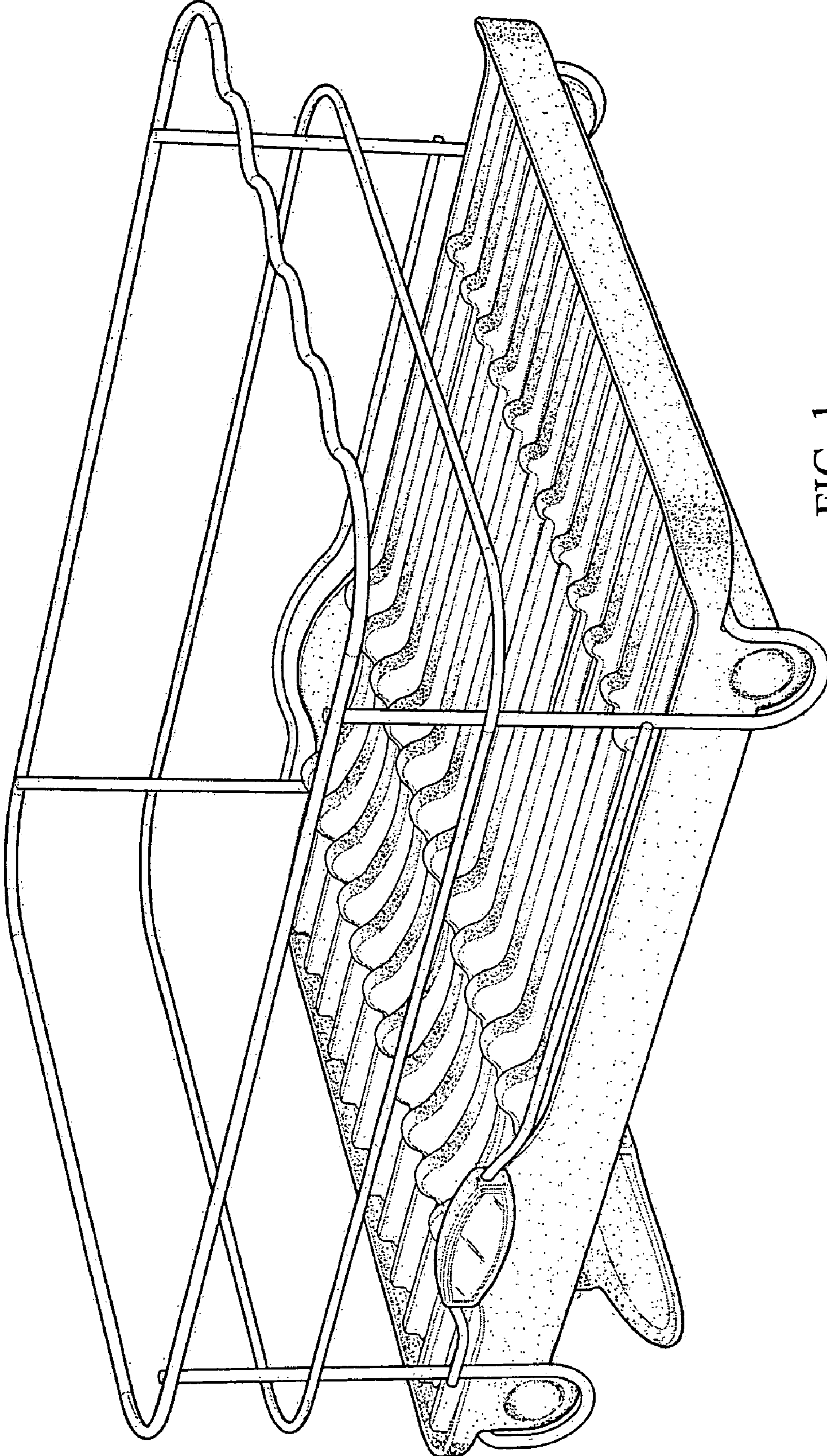


FIG. 1



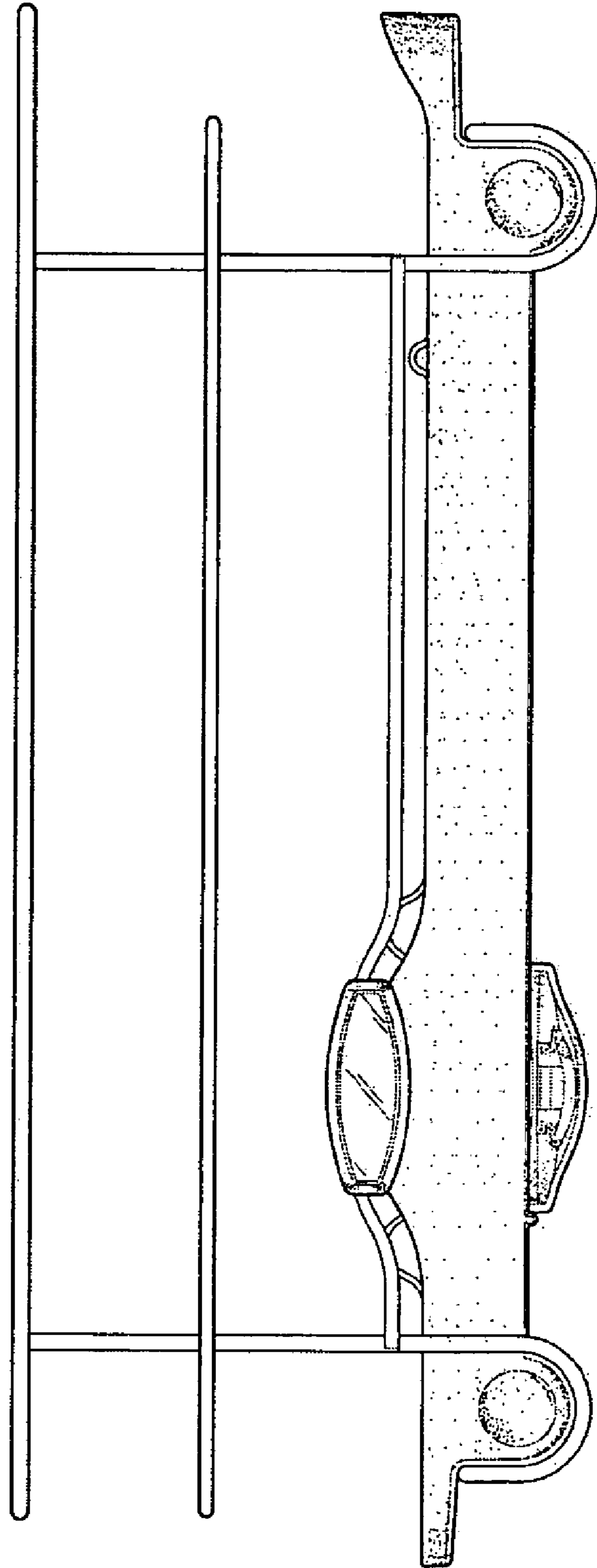


FIG. 2

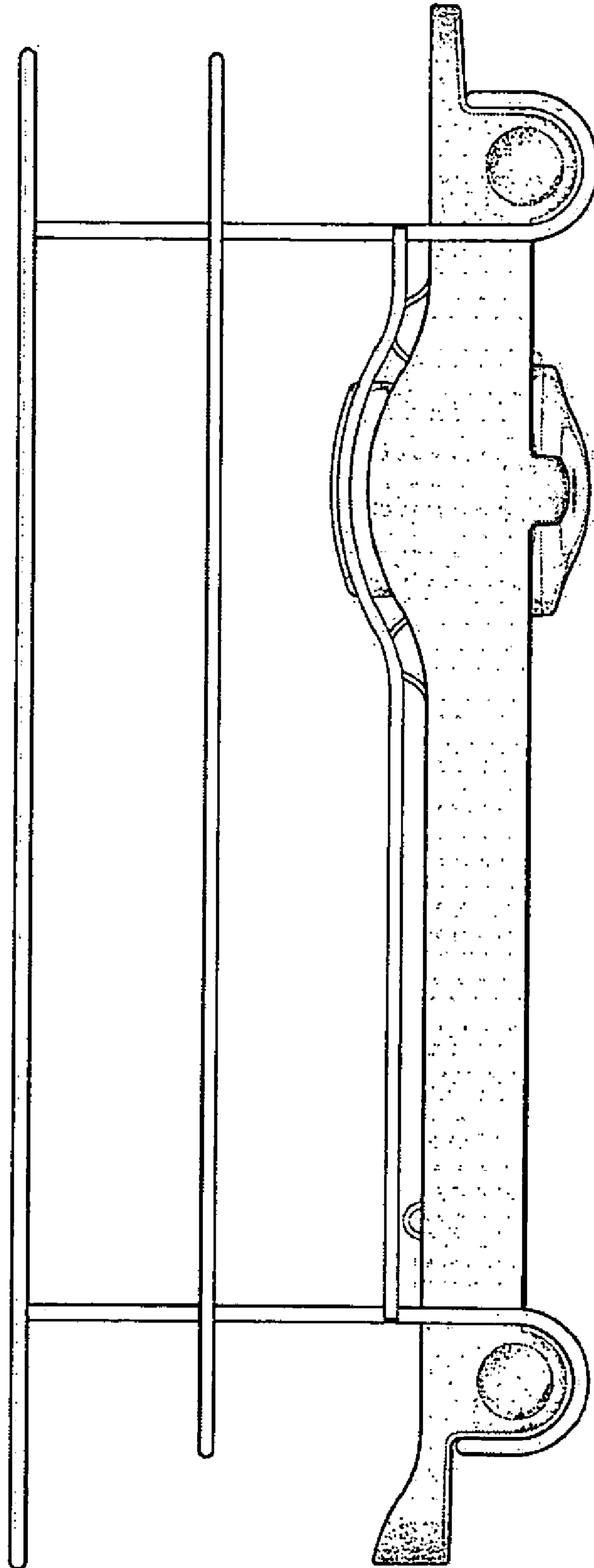


FIG. 3

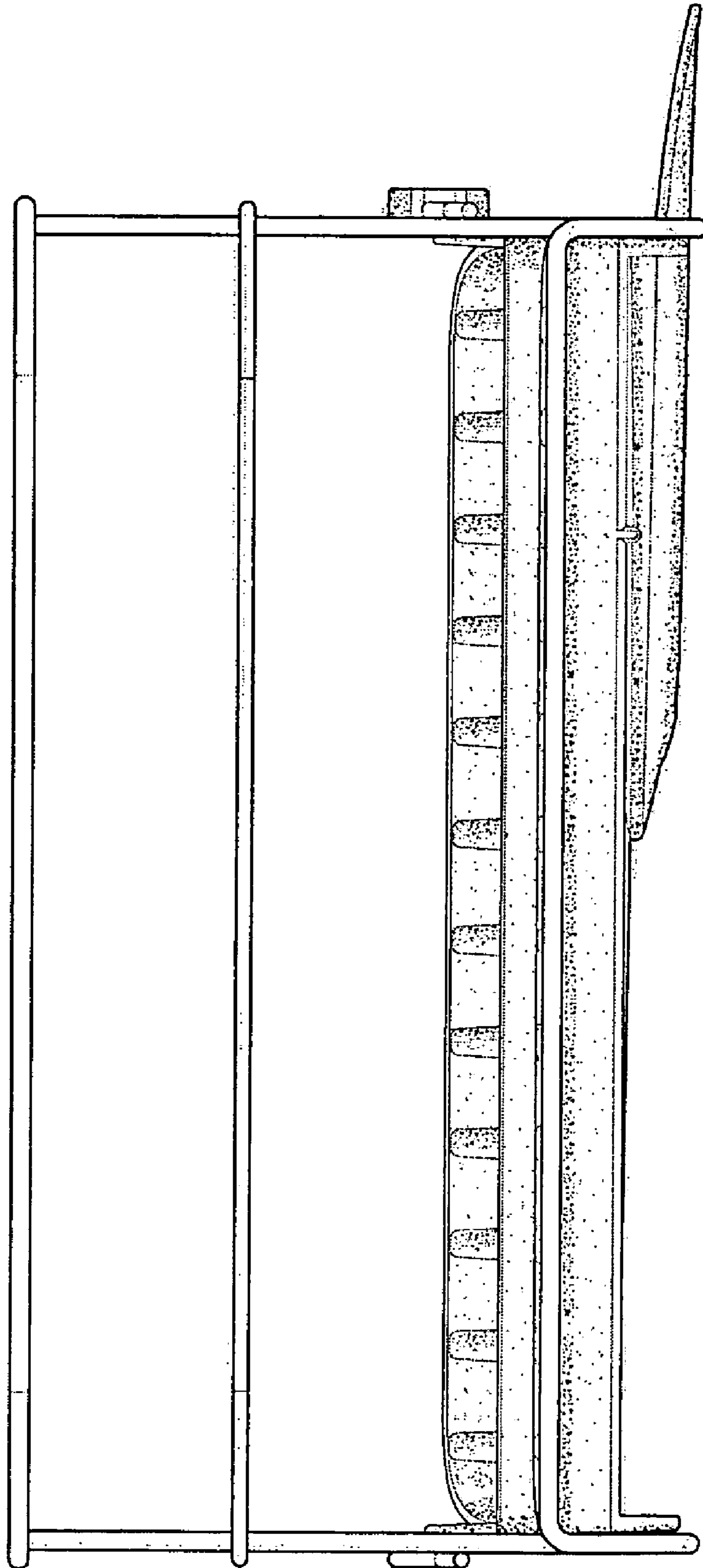


FIG. 4

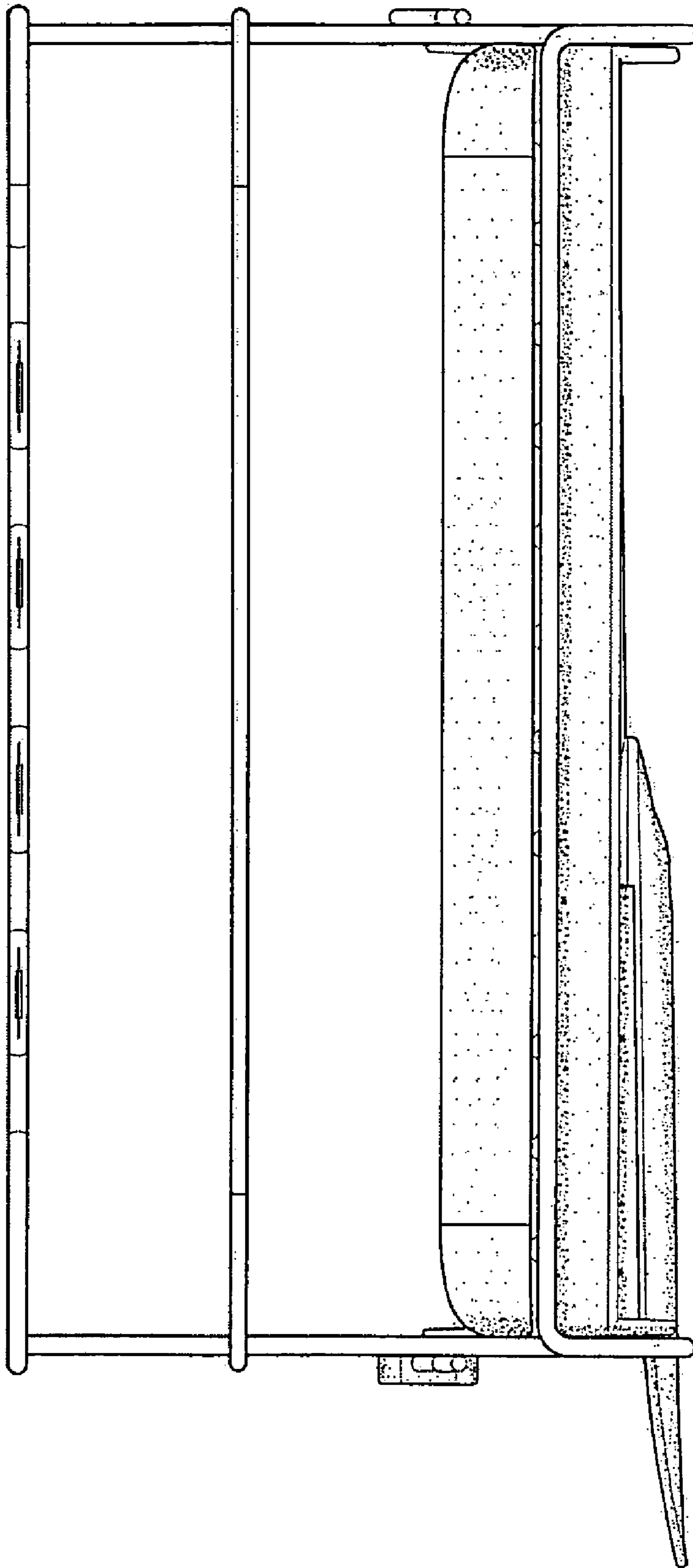


FIG. 5



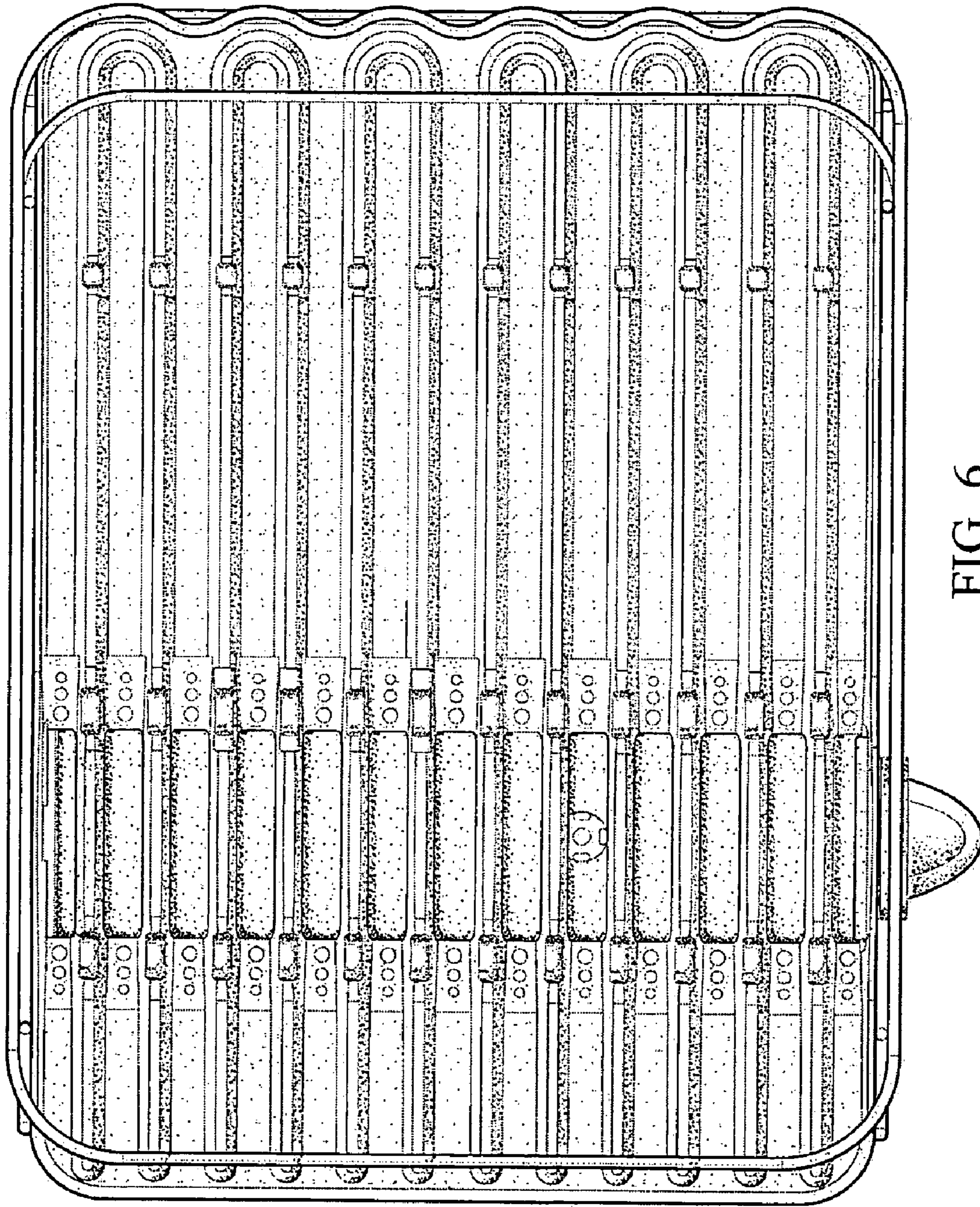


FIG. 6



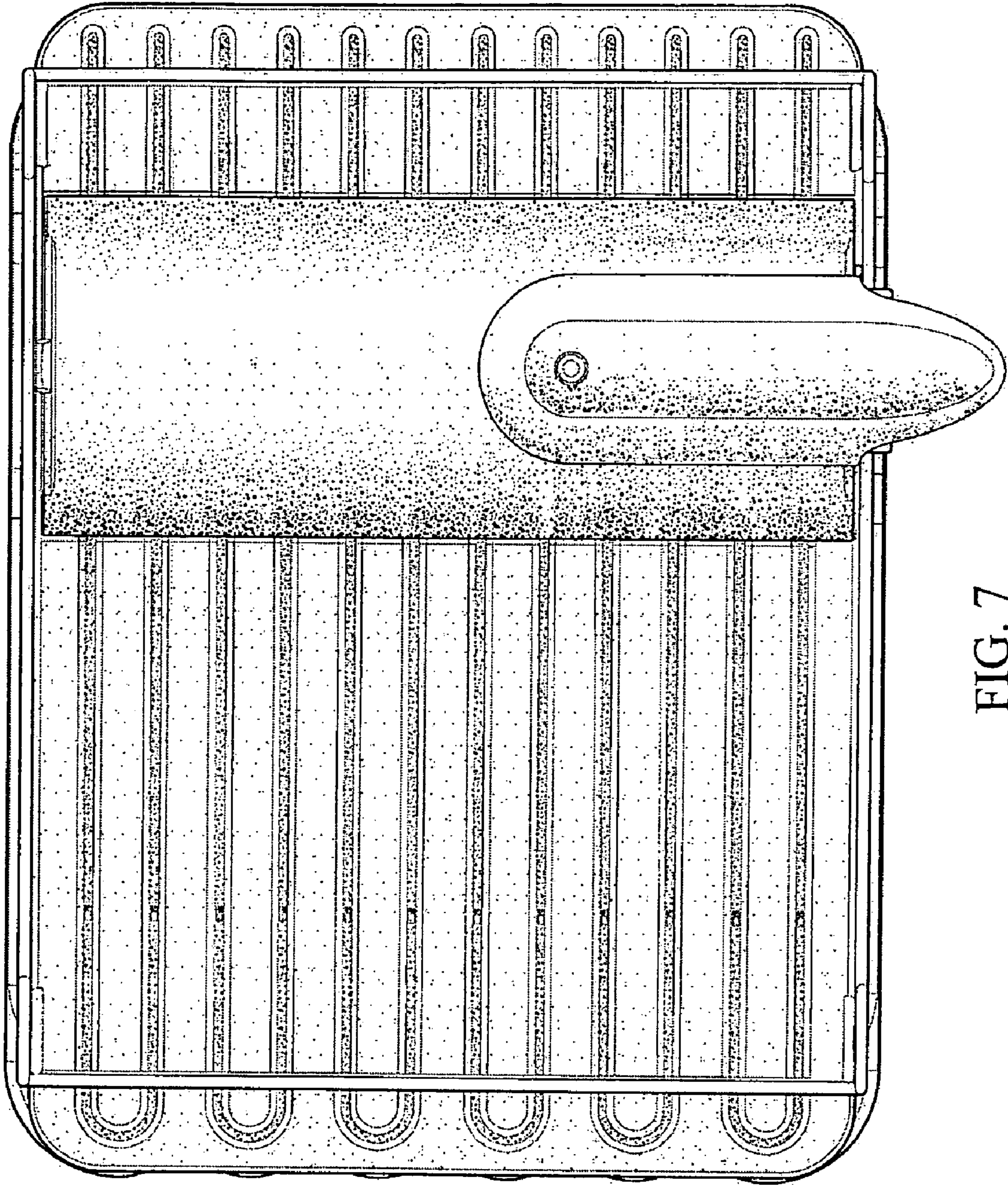


FIG. 7