



US00D555309S

(12) **United States Design Patent**
Pontzious

(10) **Patent No.:** **US D555,309 S**

(45) **Date of Patent:** **** Nov. 13, 2007**

(54) **SCOURING PAD CLAMP WITH SCRAPER FOR GRILL CLEANING**

(76) Inventor: **H. Dean Pontzious**, 37569 Enterprise Ct., Suite F, Newark, CA (US) 94560

(**) Term: **14 Years**

(21) Appl. No.: **29/241,292**

(22) Filed: **Oct. 25, 2005**

(51) **LOC (8) Cl.** **04-01**

(52) **U.S. Cl.** **D32/46; D7/687**

(58) **Field of Classification Search** D32/40, D32/41, 42, 44, 46, 52; D7/675, 687; 81/318, 81/427.5

See application file for complete search history.

(56) **References Cited**

U.S. PATENT DOCUMENTS

| | | | | |
|-----------|-----|---------|-------------|-----------|
| 1,259,458 | A * | 3/1918 | Norris | 24/507 |
| 3,149,390 | A * | 9/1964 | McCoy | 24/564 |
| 3,413,673 | A * | 12/1968 | Gewirz | 15/105 |
| 3,937,510 | A * | 2/1976 | Lew | 294/99.2 |
| 4,232,420 | A | 11/1980 | Schuster | |
| D257,756 | S * | 1/1981 | Johnson | D7/687 |
| 4,365,380 | A | 12/1982 | Fassler | |
| 4,493,124 | A * | 1/1985 | Agapiou | 15/104.94 |
| D277,446 | S * | 2/1985 | Hollinshead | D7/687 |
| D282,604 | S | 2/1986 | Whitaker | |
| D298,297 | S * | 11/1988 | Maltby | D7/687 |
| D298,398 | S * | 11/1988 | Trahar | D7/687 |
| 4,813,107 | A | 3/1989 | Cetrone | |
| D304,892 | S | 12/1989 | Bevilacqua | |
| D317,116 | S * | 5/1991 | Nimtz | D8/395 |
| 5,084,931 | A * | 2/1992 | Kuhlcke | 15/244.1 |
| 5,373,600 | A | 12/1994 | Stojanovski | |

| | | | | |
|--------------|------|---------|------------------|-----------|
| 5,765,820 | A * | 6/1998 | Marusiak | 269/6 |
| D409,901 | S * | 5/1999 | Blackburn et al. | D8/395 |
| 6,023,810 | A | 2/2000 | Gessert | |
| 6,041,466 | A | 3/2000 | Payton | |
| D423,305 | S * | 4/2000 | Foster et al. | D7/686 |
| 6,216,306 | B1 | 4/2001 | Esterson et al. | |
| D455,339 | S * | 4/2002 | Tsai | D8/395 |
| D456,614 | S | 5/2002 | Zemel | |
| D468,107 | S | 1/2003 | Shen | |
| 6,643,888 | B2 | 11/2003 | Griffith | |
| D487,688 | S | 3/2004 | Brass | |
| 6,860,179 | B2 | 3/2005 | Hopper et al. | |
| 2005/0005378 | A1 * | 1/2005 | Soller et al. | 15/104.94 |

* cited by examiner

Primary Examiner—Cathron C. Brooks

Assistant Examiner—Barbara Fox

(57) **CLAIM**

The ornamental design for a scouring pad clamp with scraper for grill cleaning, as shown.

DESCRIPTION

FIG. 1 is an isometric view of a scouring pad clamp with scraper for grill cleaning showing my new design;

FIG. 2 is a top plan view thereof;

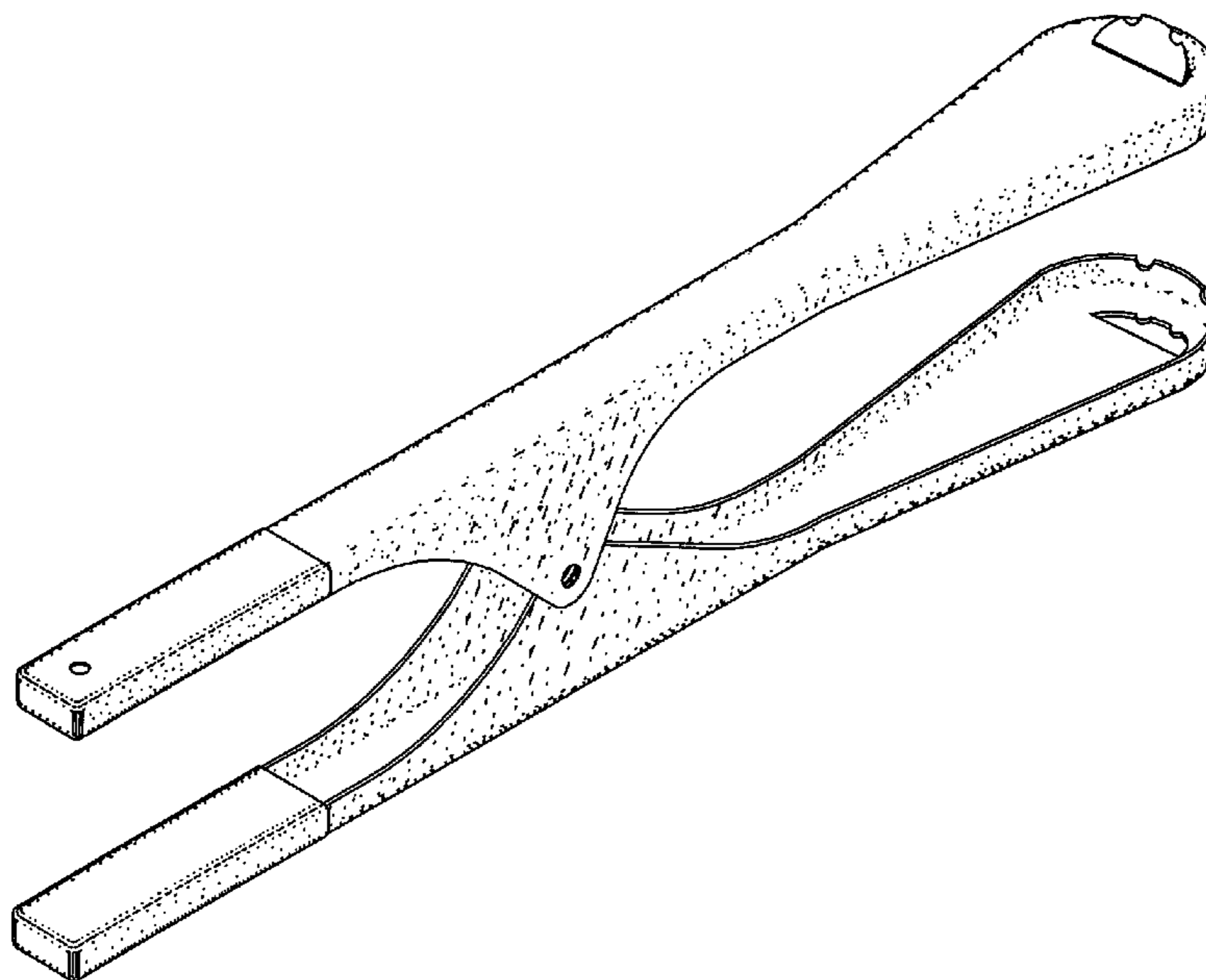
FIG. 3 is a bottom plan view thereof;

FIG. 4 is a side elevational view thereof shown in an alternate position of use, the opposite side elevational view being a mirror image thereof;

FIG. 5 is an enlarged front end view of FIG. 4; and,

FIG. 6 is a rear end view thereof.

1 Claim, 2 Drawing Sheets



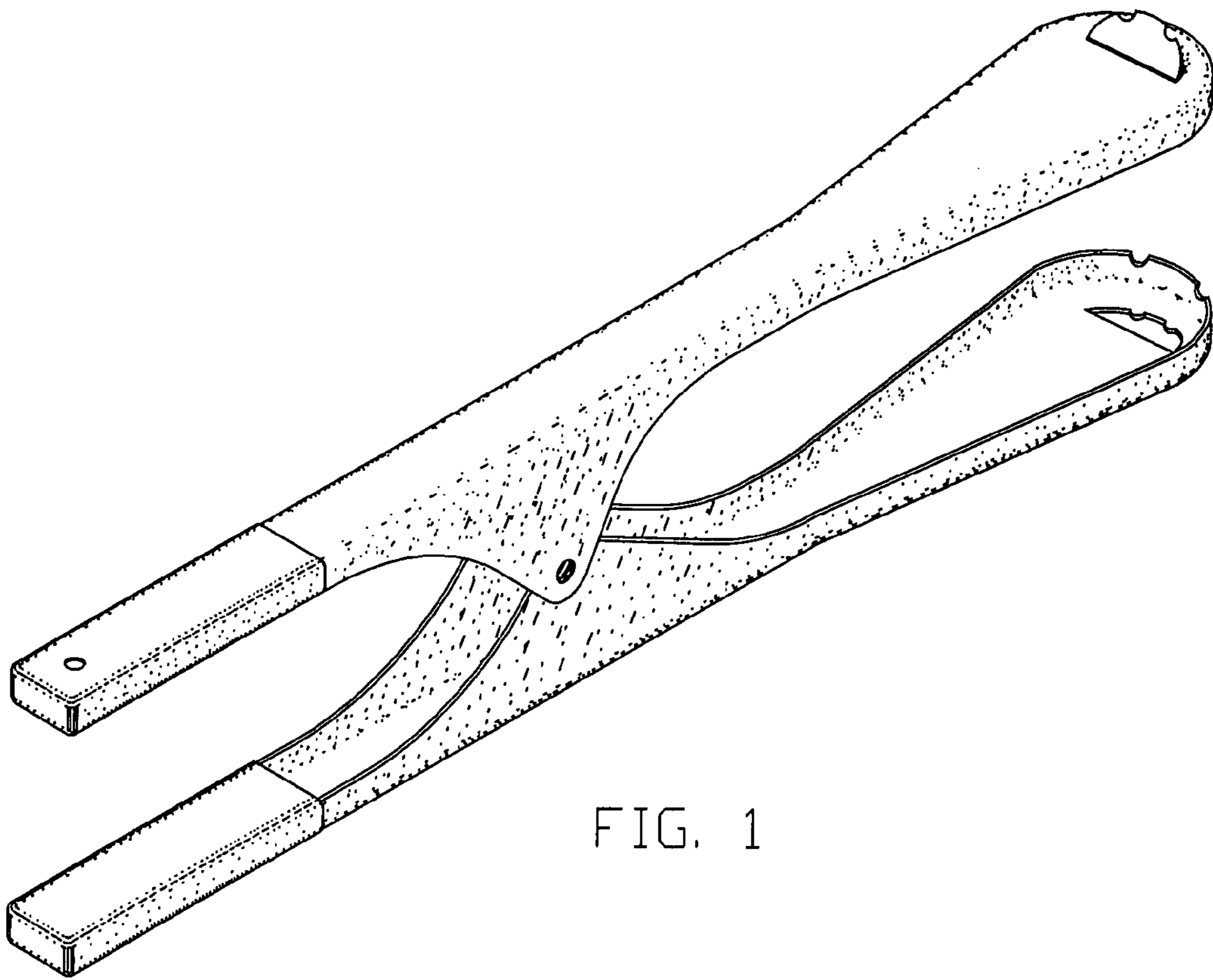


FIG. 1

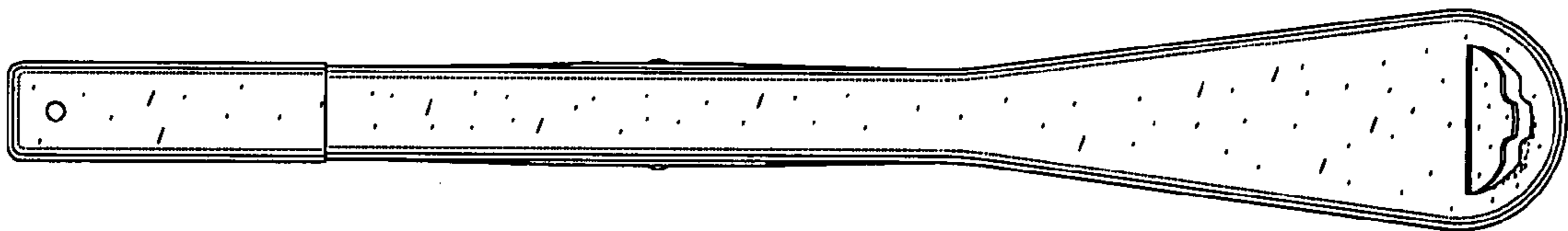


FIG. 2

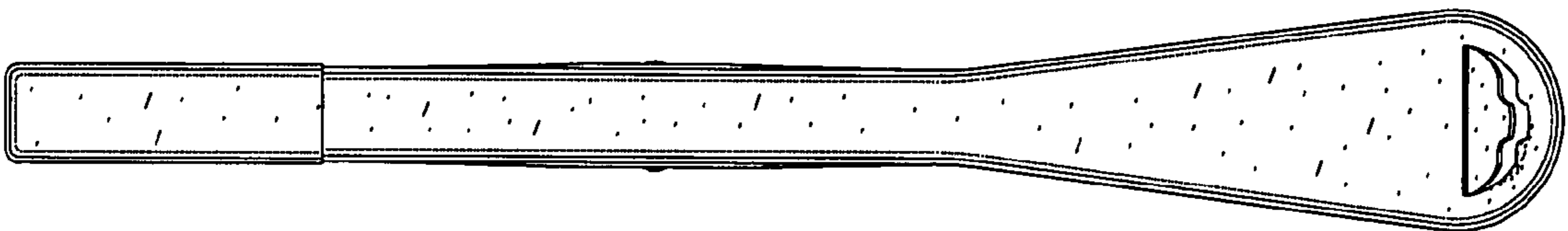


FIG. 3

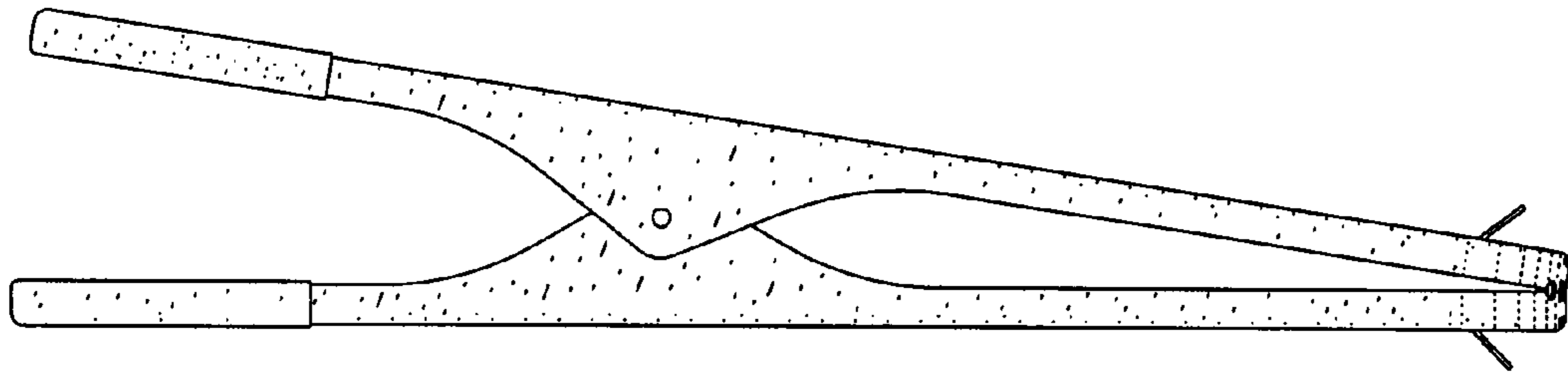


FIG. 4

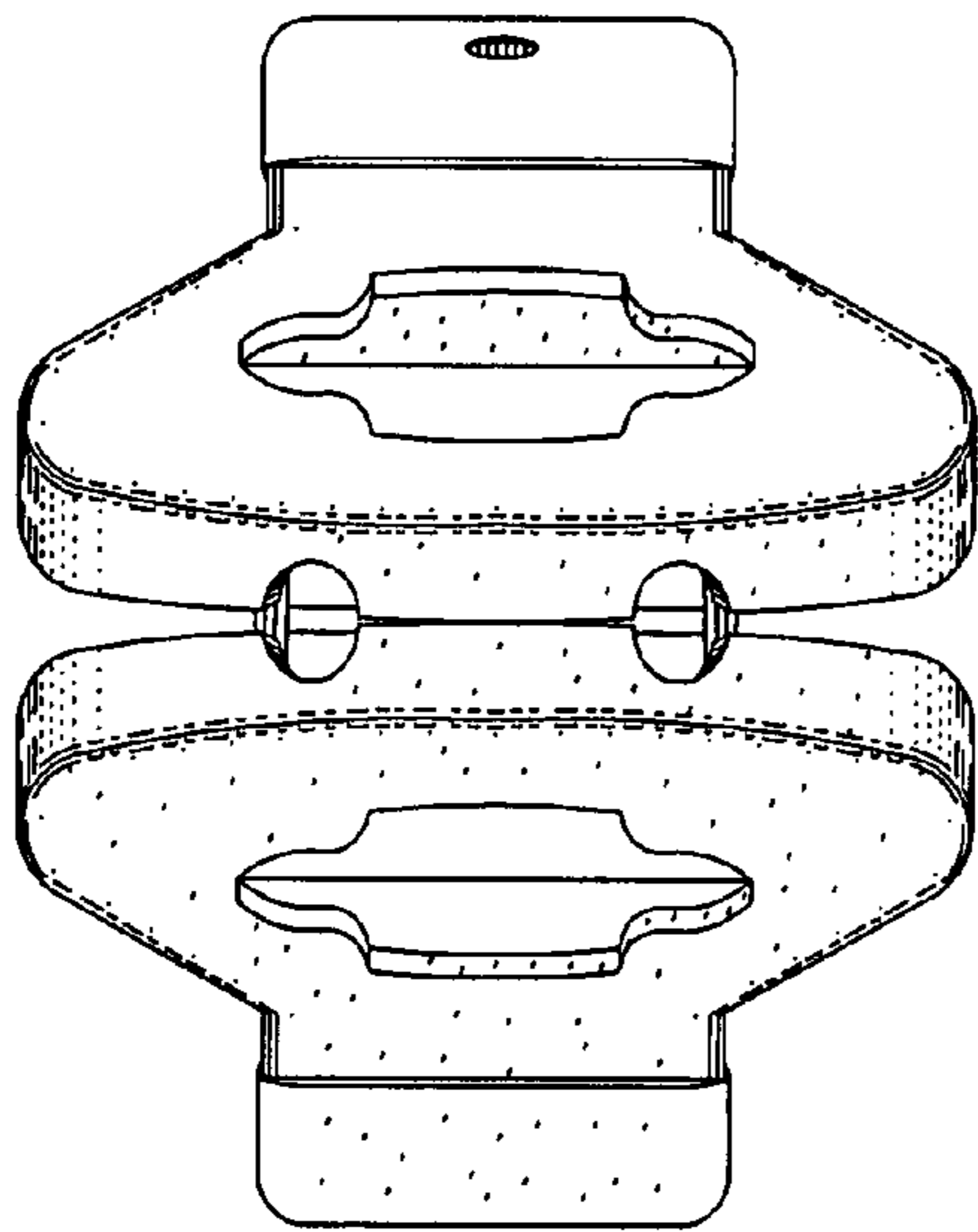


FIG. 5

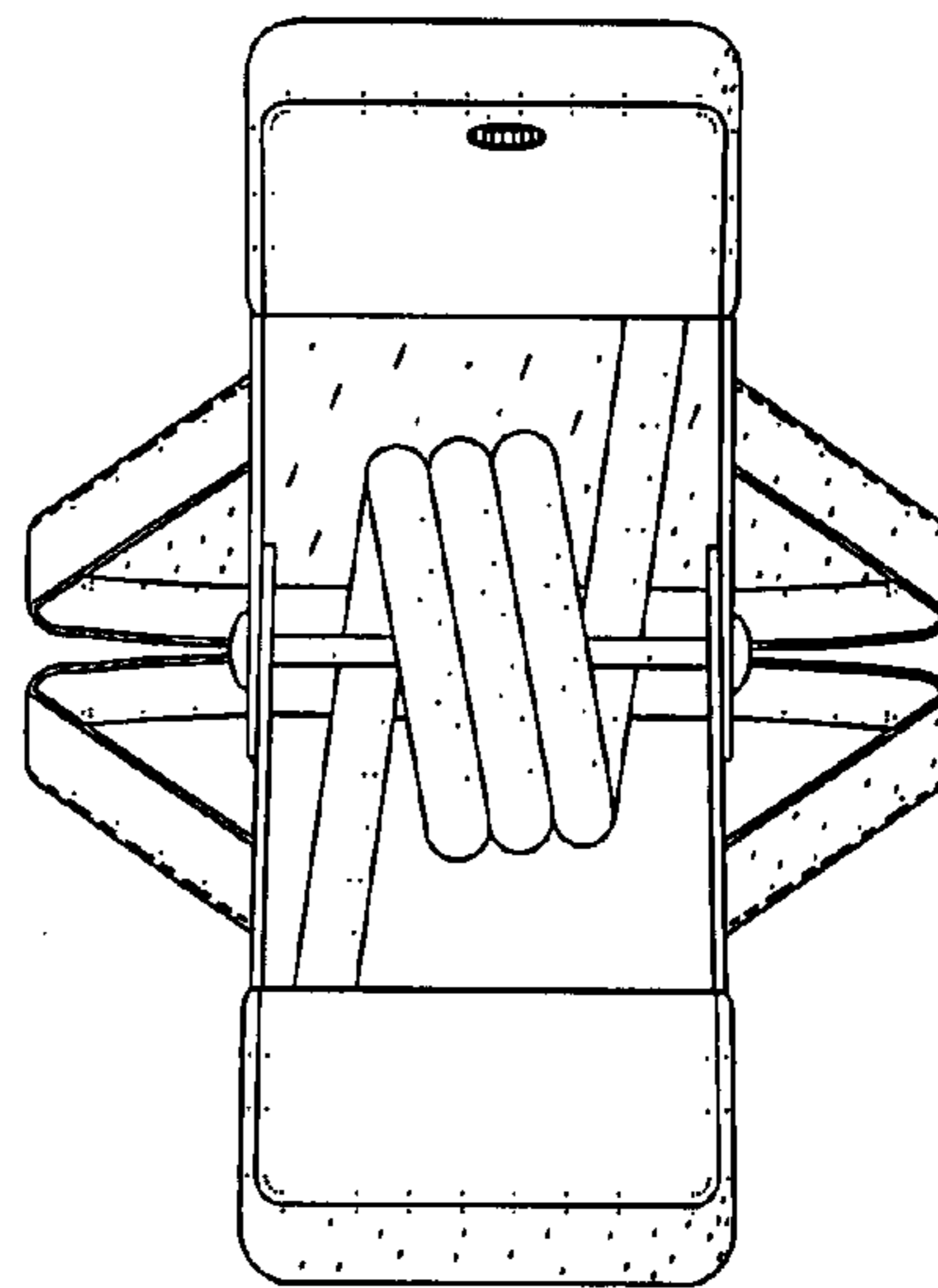


FIG. 6