



US00D555307S

(12) **United States Design Patent**
Chun et al.

(10) **Patent No.:** **US D555,307 S**

(45) **Date of Patent:** **** Nov. 13, 2007**

(54) **BODY FOR VACUUM CLEANER**

(75) Inventors: **Dong Won Chun**, Kyunggido (KR);
Kyung Ho Chai, Gyeonggi-Do (KR)

(73) Assignee: **Samsung Electronics Co., Ltd.**,
Suwon, Kyungki-Do (KR)

(**) Term: **14 Years**

(21) Appl. No.: **29/261,969**

(22) Filed: **Jun. 22, 2006**

(51) **LOC (8) Cl.** **15-05**

(52) **U.S. Cl.** **D32/31**

(58) **Field of Classification Search** D32/21,
D32/23-24, 31; 15/257.01, 301, 315, 319-321,
15/323, 327.1-327.4, 327.6-327.7, 329,
15/336, 347, 352-353, 412; 55/337, 429,
55/345; 95/271; 210/512.1, 512.2; 211/87.01,
211/13.1; 700/245

See application file for complete search history.

(56) **References Cited**

U.S. PATENT DOCUMENTS

D263,842 S *	4/1982	Pearman, Jr.	D32/23
D286,336 S *	10/1986	Berfield et al.	D32/23
D429,394 S *	8/2000	Griffin et al.	D32/31
D445,549 S *	7/2001	Griffin	D32/31

* cited by examiner

Primary Examiner—Ruth McInroy

(74) *Attorney, Agent, or Firm*—Ladas & Parry LLP

(57) **CLAIM**

We claim the ornamental design for a body for vacuum cleaner, as shown and described.

DESCRIPTION

FIG. 1 is a top, front, and left side perspective view of a body for vacuum cleaner showing our new design;

FIG. 2 is a front elevational view thereof;

FIG. 3 is a rear elevational view thereof;

FIG. 4 is a right side elevational view thereof;

FIG. 5 is a left side elevational view thereof;

FIG. 6 is a top plan view thereof;

FIG. 7 is a bottom plan view thereof;

FIG. 8 is a top, front, and left side perspective view of the body for vacuum cleaner of FIG. 1 shown in use with a hose and a brush; and,

FIG. 9 is a top, front, and left side perspective view of the body for vacuum cleaner of FIG. 1 shown in use as a robot vacuum cleaner.

The broken lines in FIGS. 8 and 9 are for illustrative purposes only and form no part of the claimed design.

1 Claim, 7 Drawing Sheets

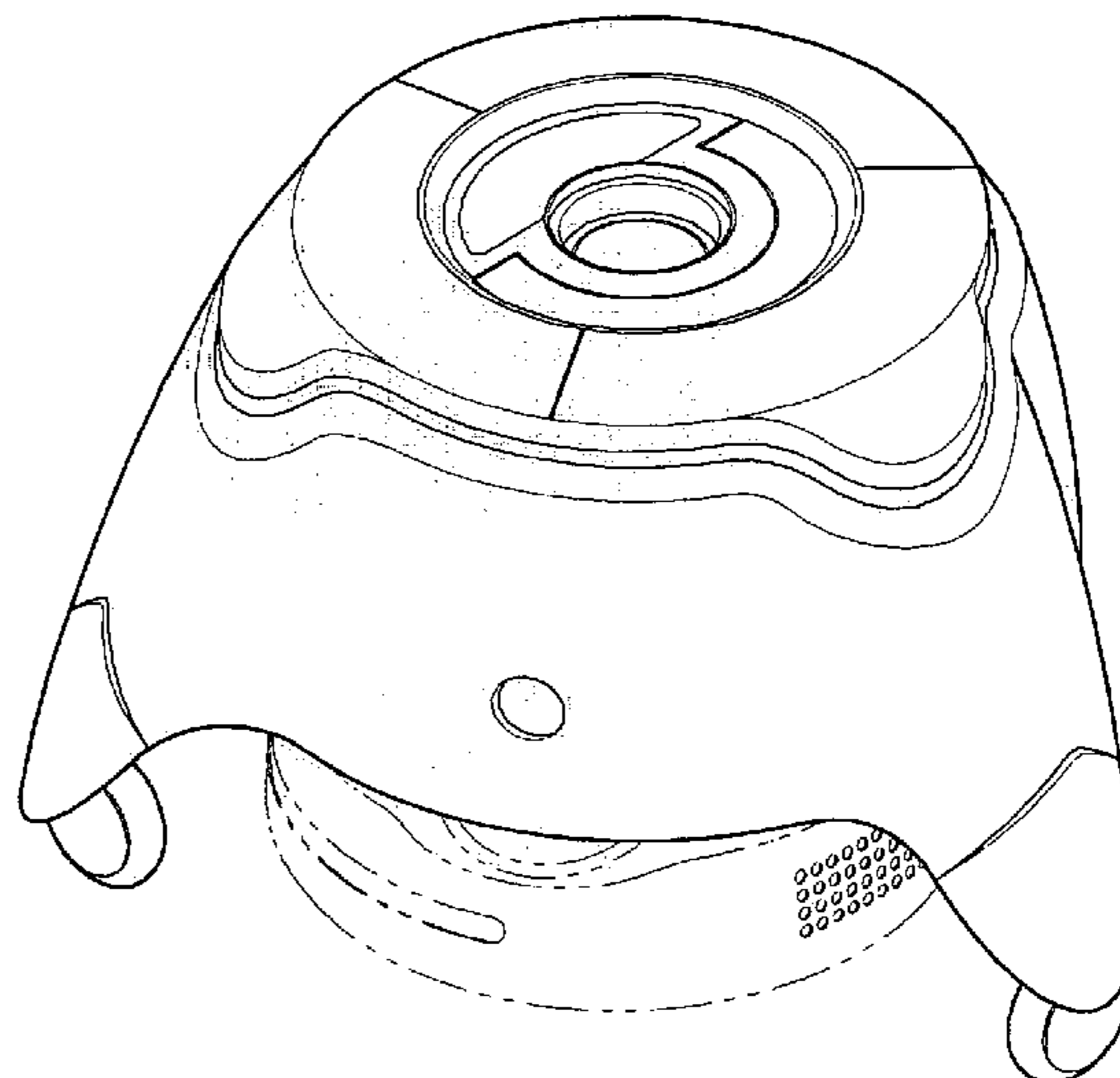
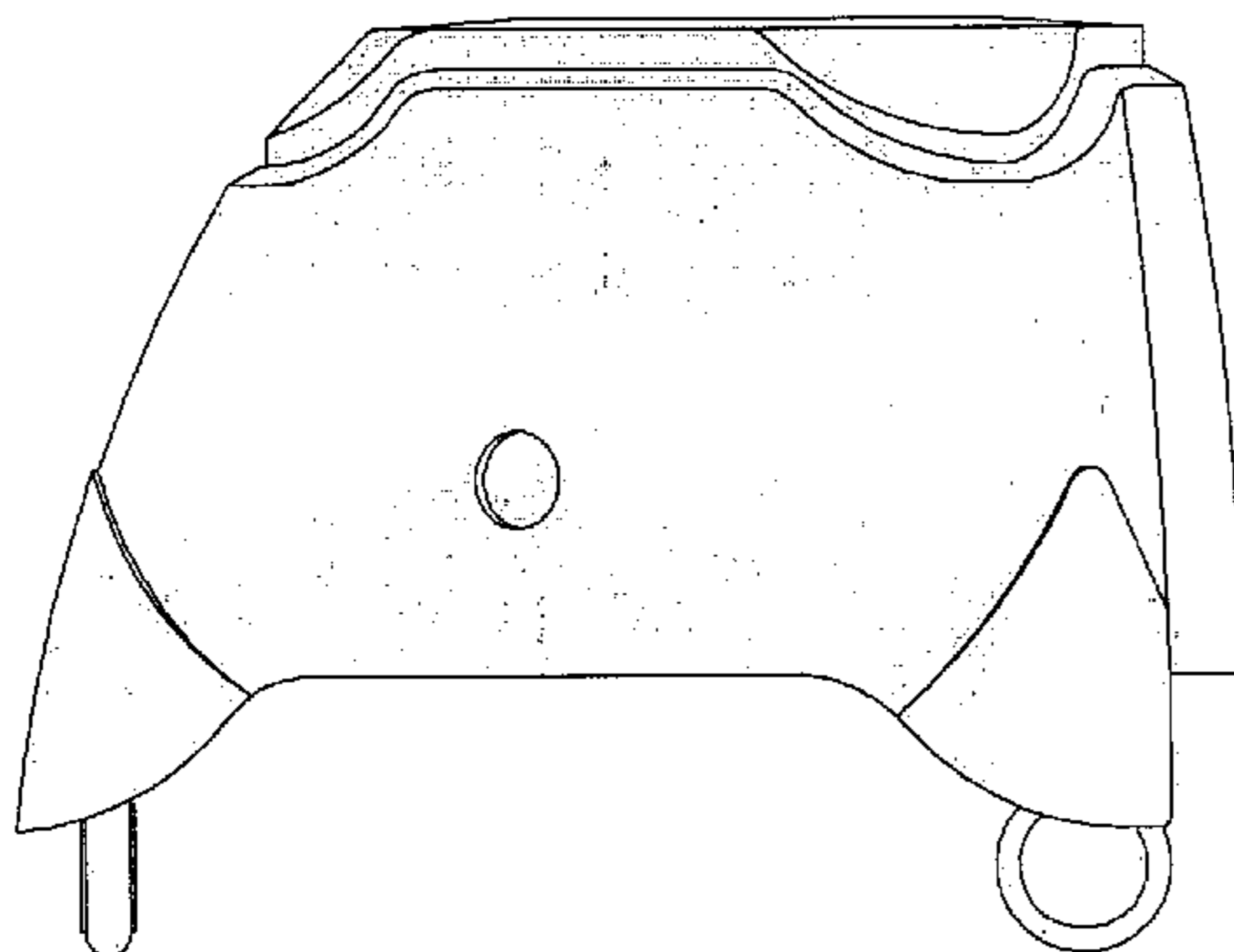
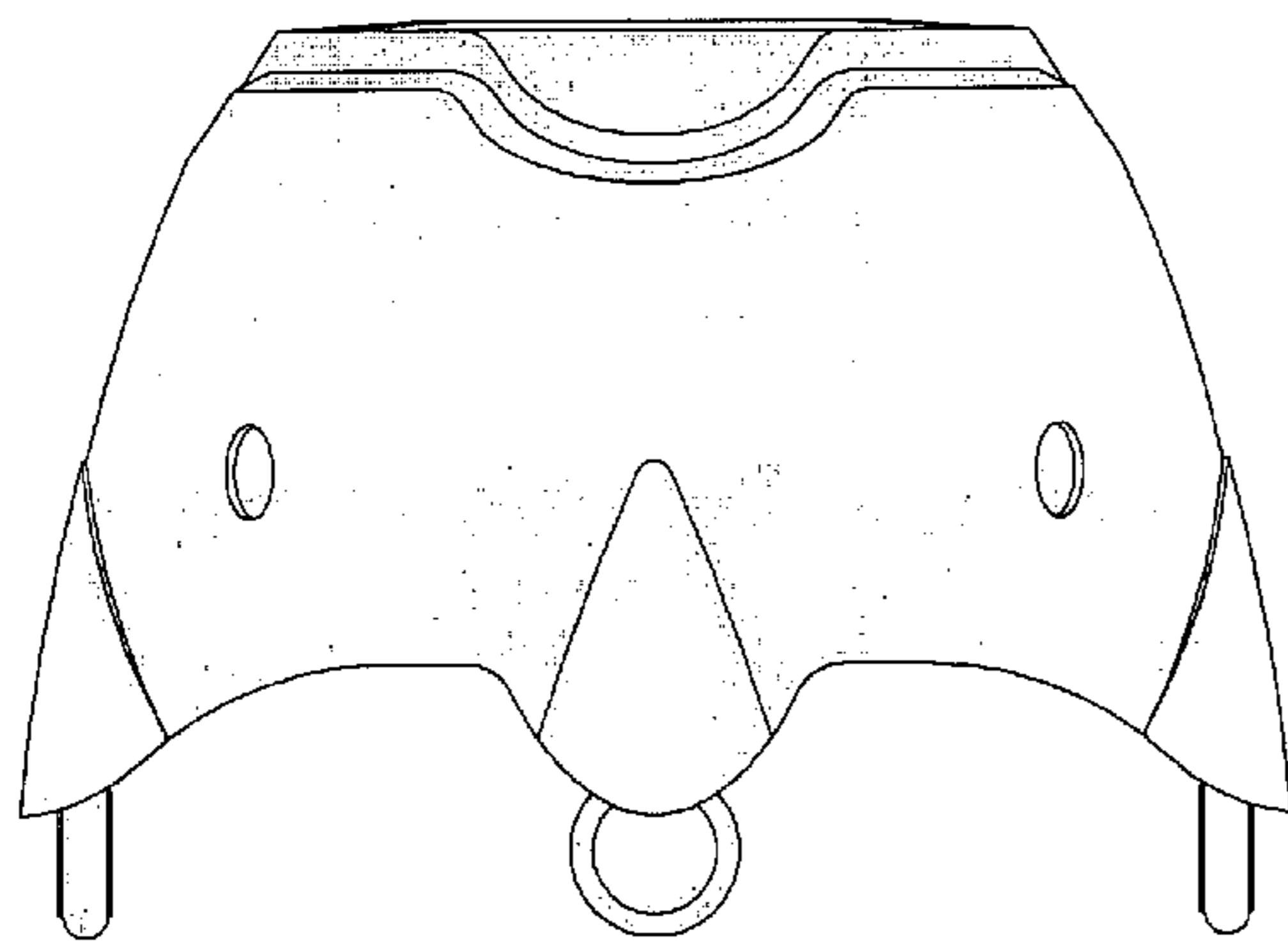


FIG. 1

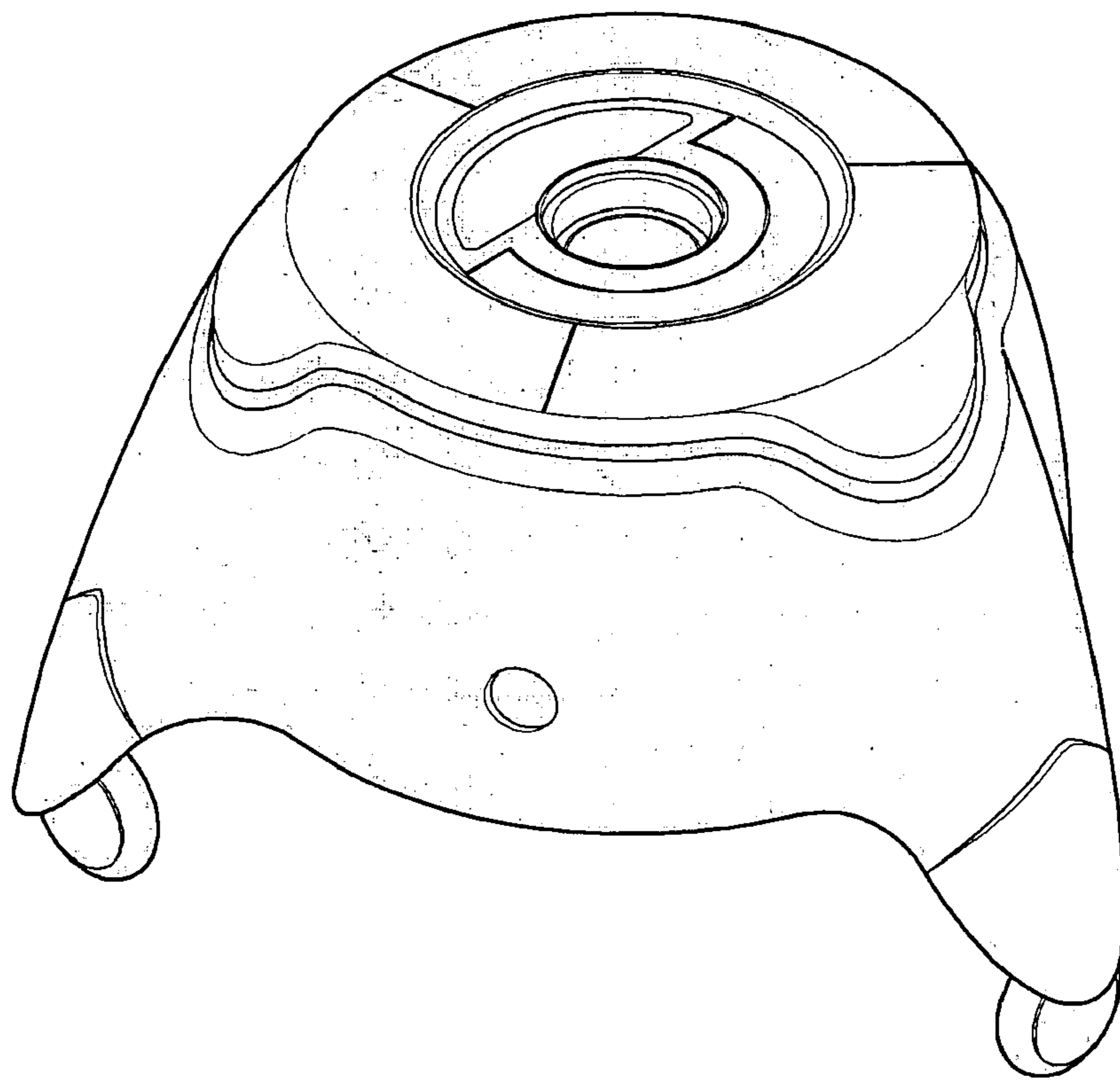


FIG. 2

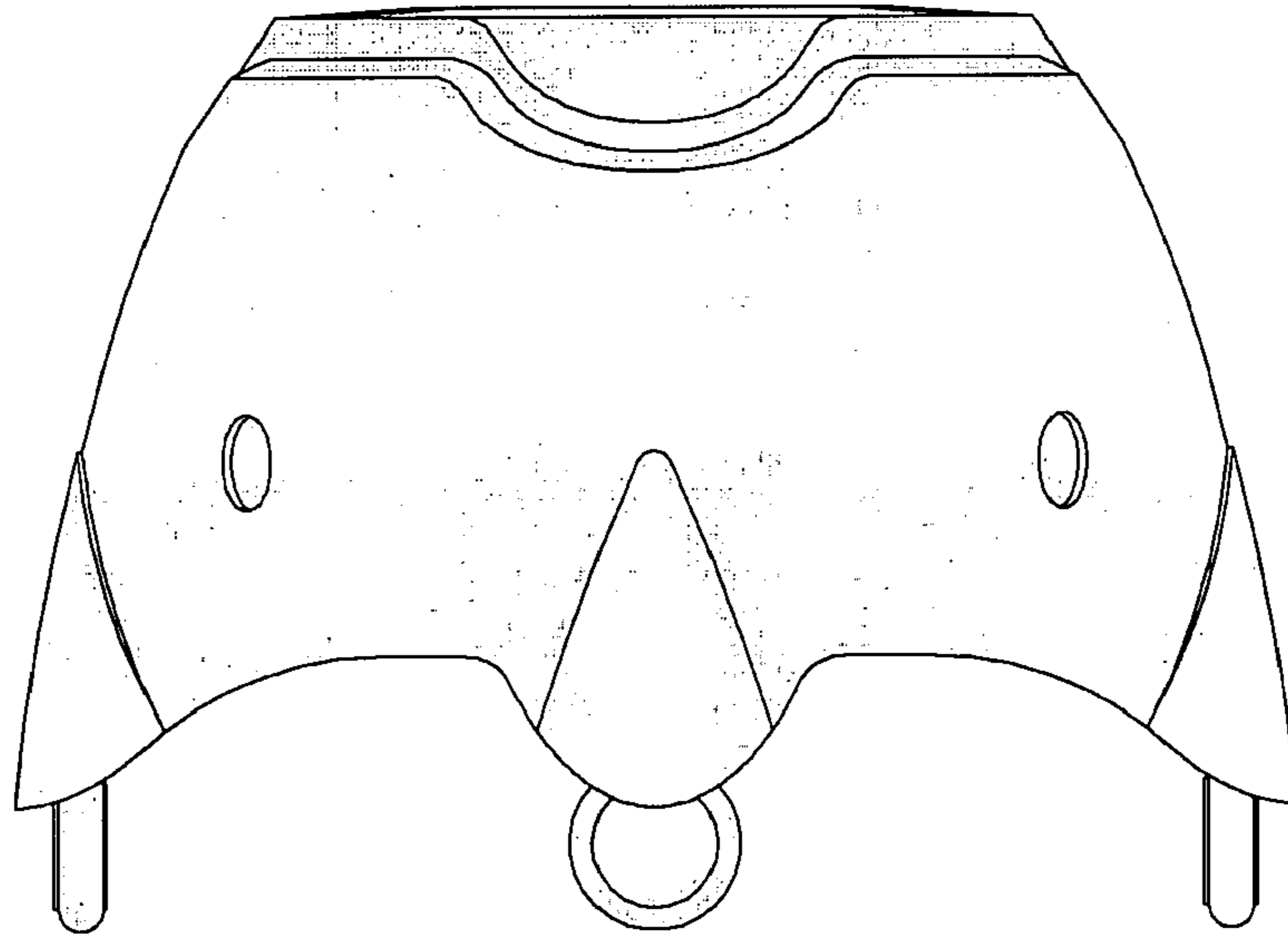


FIG. 3

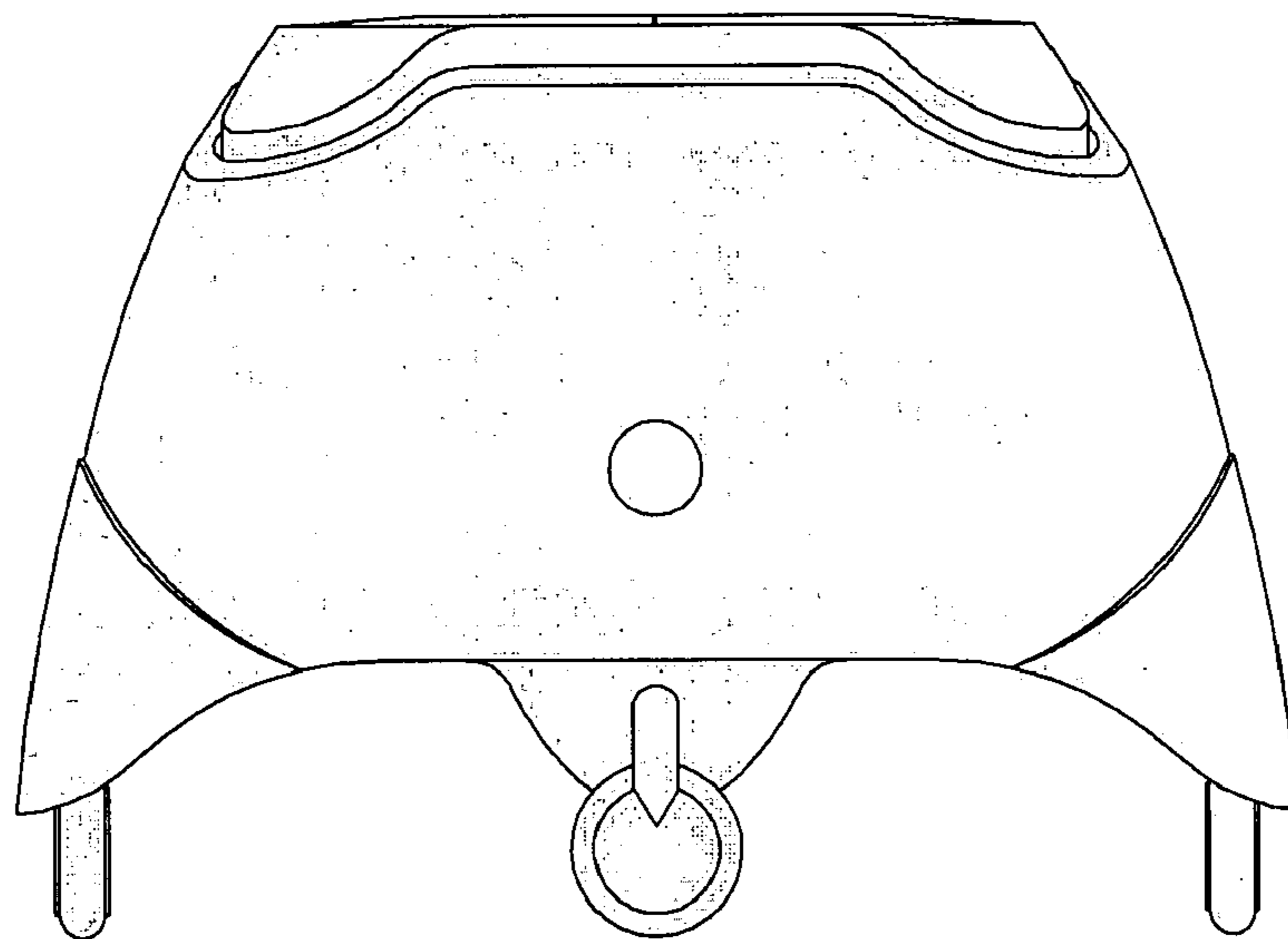


FIG. 4

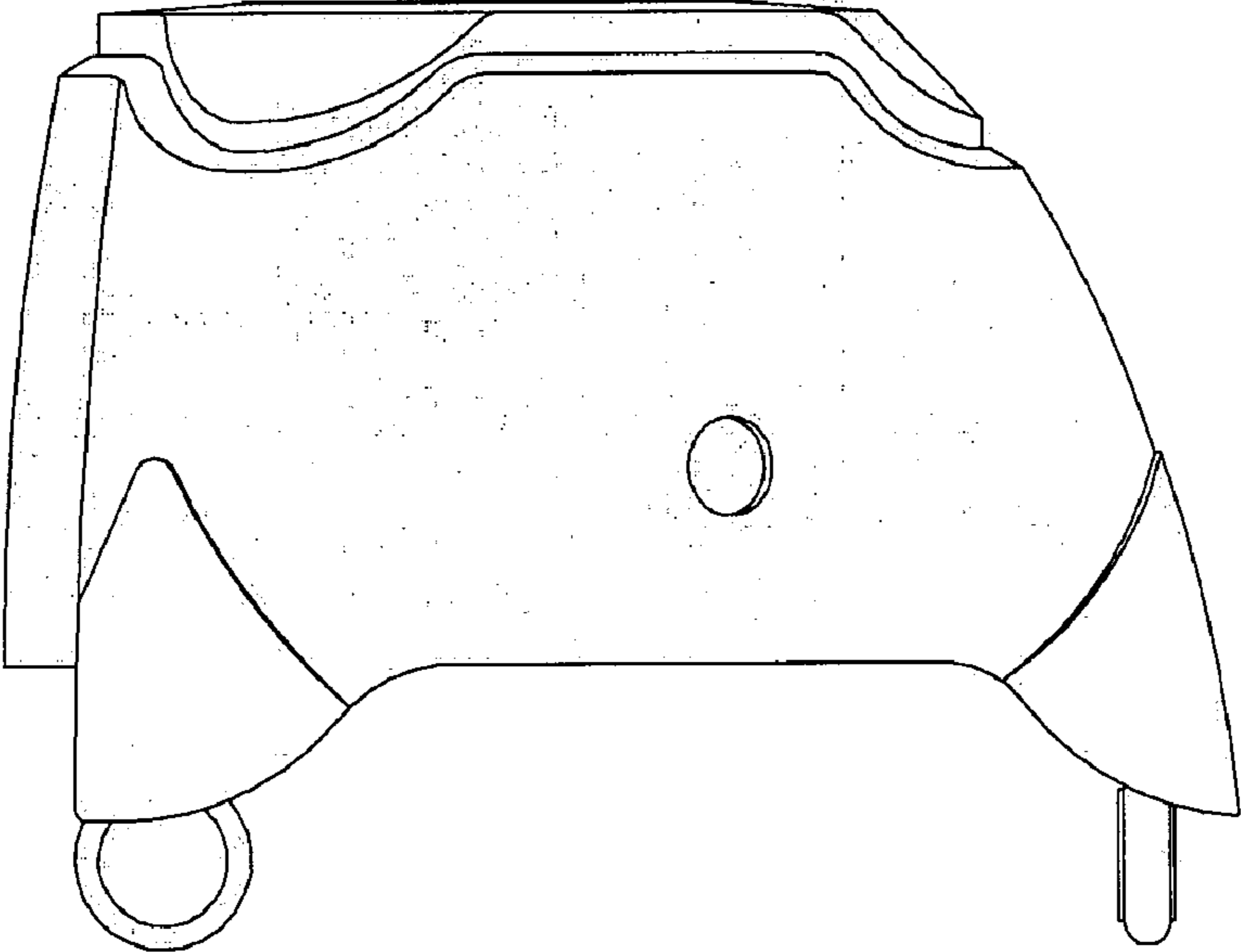


FIG. 5

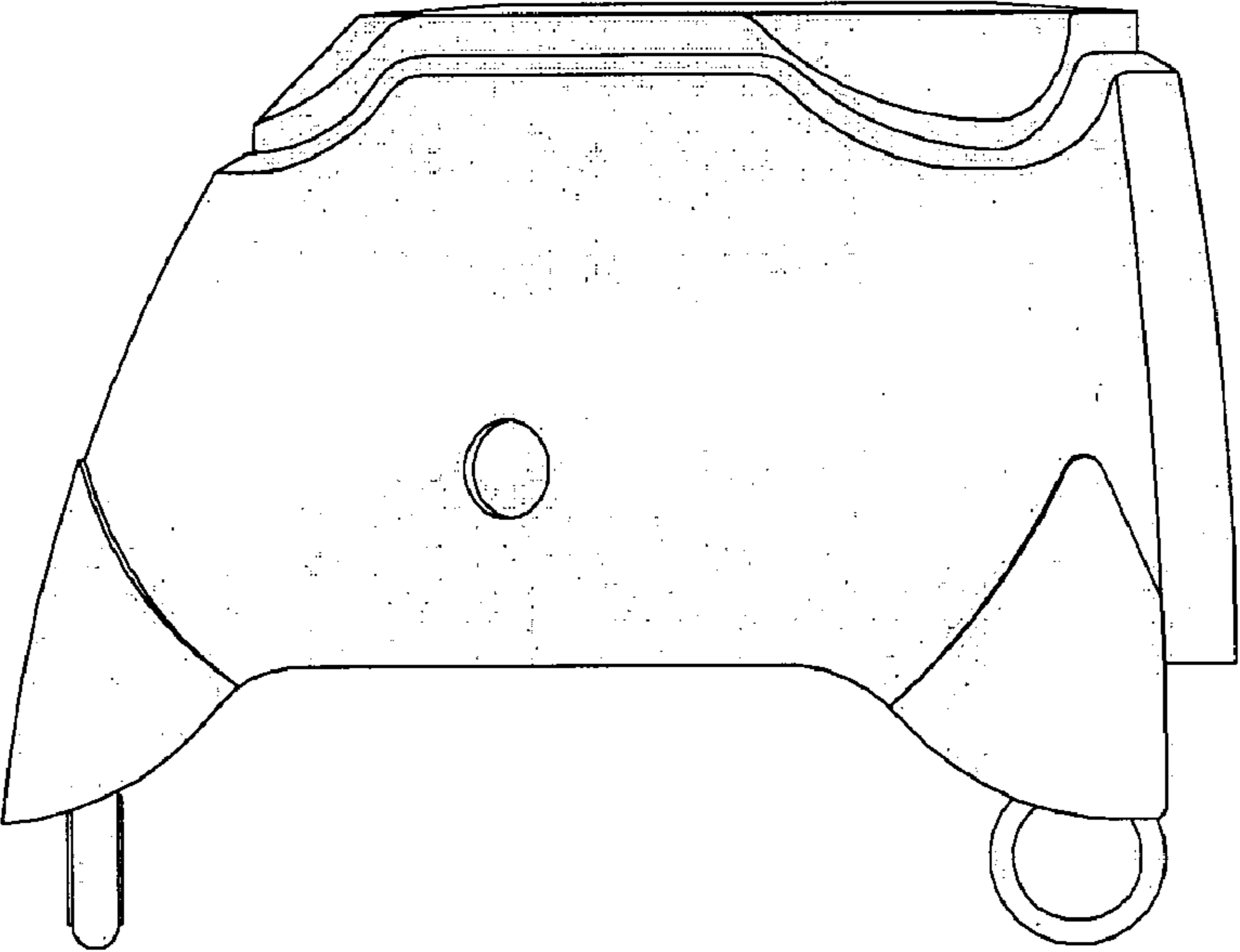


FIG. 6

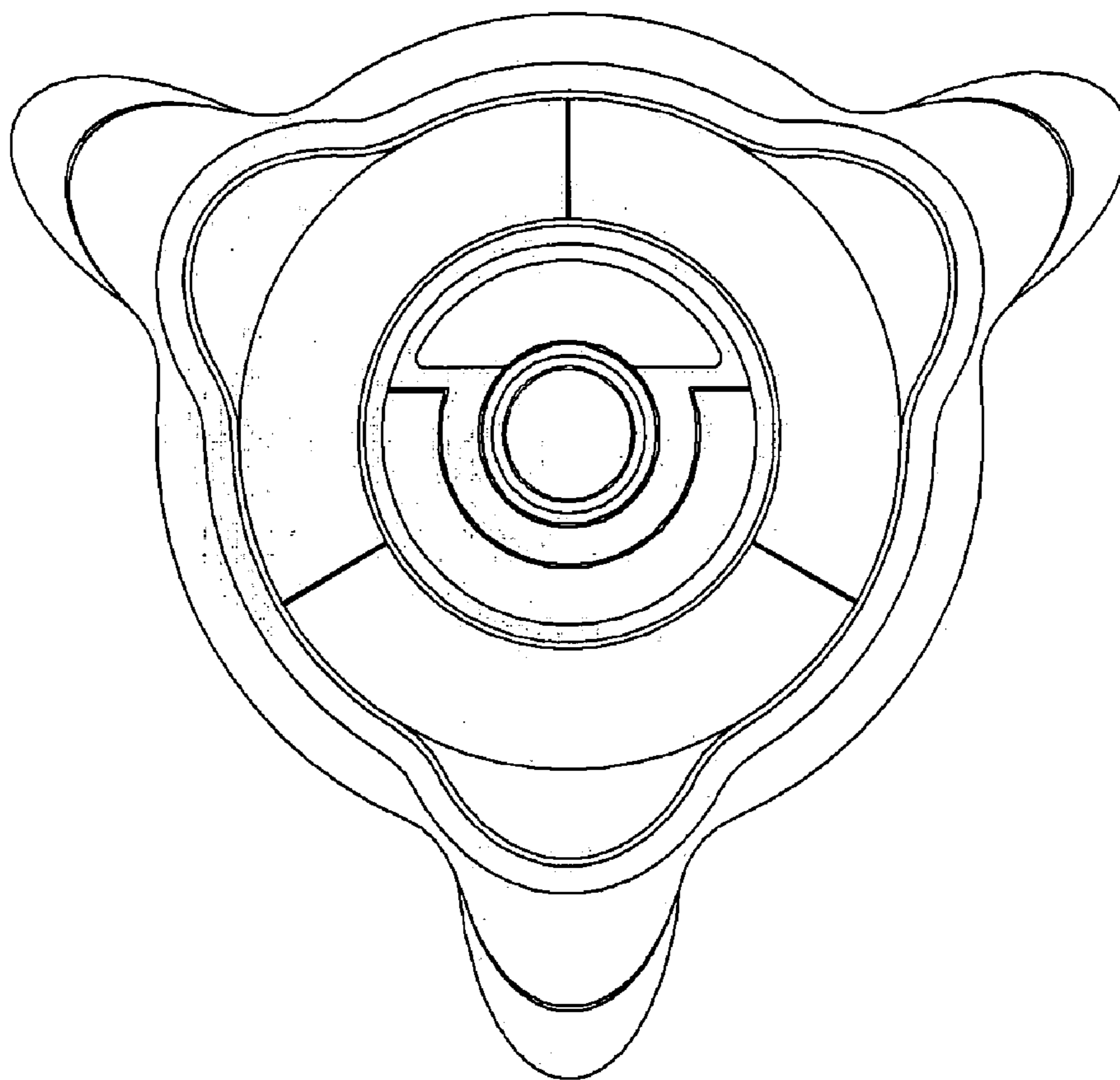


FIG. 7

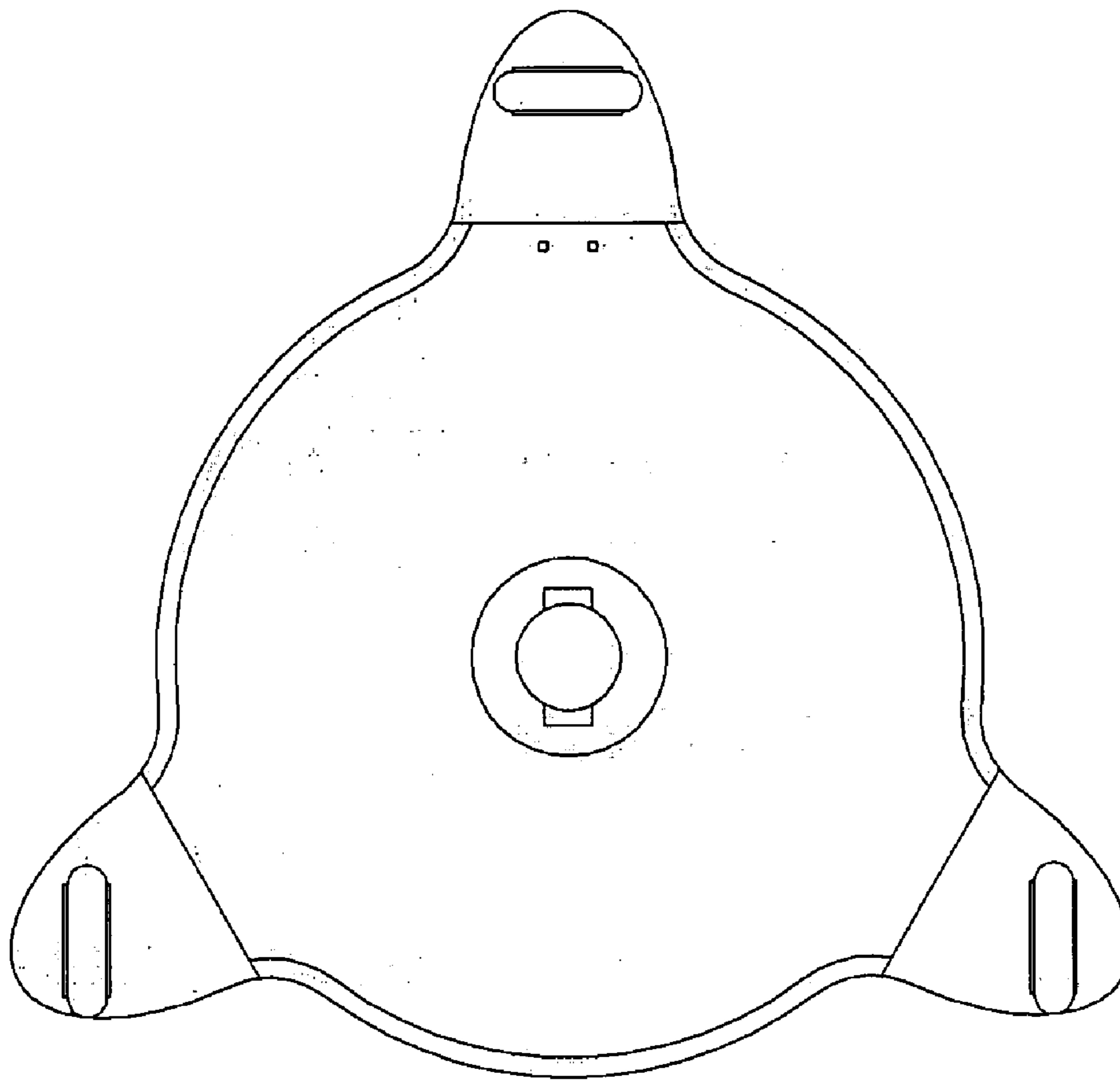


FIG. 8

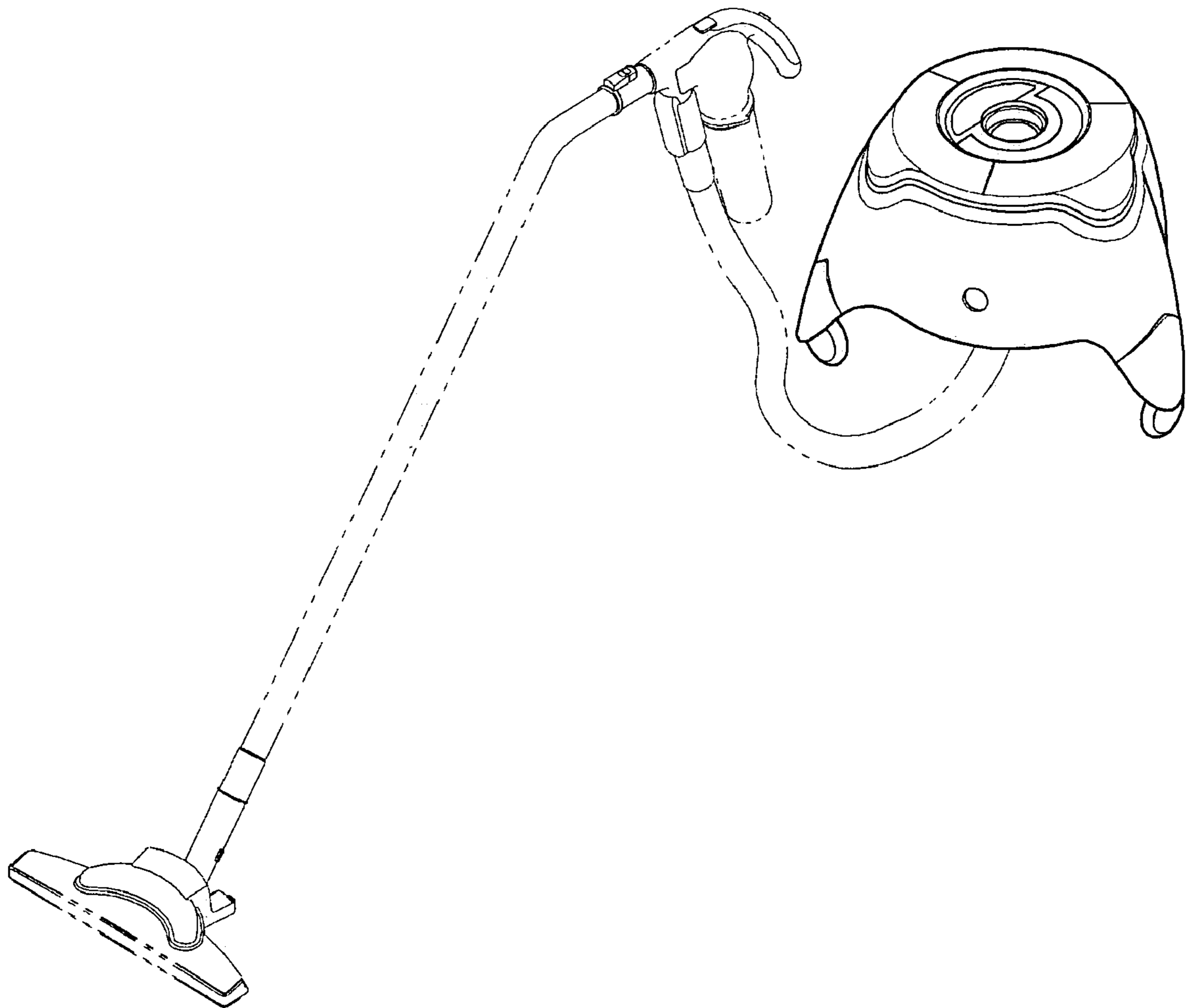


FIG. 9

