



US00D555305S

(12) **United States Design Patent**  
**Chun et al.**

(10) **Patent No.:** **US D555,305 S**

(45) **Date of Patent:** **\*\* Nov. 13, 2007**

(54) **BODY FOR VACUUM CLEANER**

(75) Inventors: **Dong Won Chun**, Kyunggido (KR);  
**Kyung Ho Chai**, Gyeonggi-Do (KR)

(73) Assignee: **Samsung Electronics Co., Ltd.**,  
Suwon, Kyungki-Do (KR)

(\*\*) Term: **14 Years**

(21) Appl. No.: **29/261,968**

(22) Filed: **Jun. 22, 2006**

(51) **LOC (8) Cl.** ..... **15-05**

(52) **U.S. Cl.** ..... **D32/21**

(58) **Field of Classification Search** ..... D32/21,  
D32/23-24, 31; 15/257.01, 301, 315, 319-321,  
15/323, 327.1-327.4, 327.6-327.7, 329,  
15/336, 347, 352-353, 412; 55/337, 429,  
55/345; 95/271; 210/512.1, 512.2; 211/87.01,  
211/13.1; 700/245

See application file for complete search history.

(56) **References Cited**

**U.S. PATENT DOCUMENTS**

D498,886 S	*	11/2004	Fujii	.....	D32/21
D520,198 S	*	5/2006	Sung	.....	D32/21
D521,696 S	*	5/2006	Choi	.....	D32/21
D530,467 S	*	10/2006	Tokunaga	.....	D32/21

\* cited by examiner

*Primary Examiner*—Ruth McInroy

(74) *Attorney, Agent, or Firm*—Ladas & Parry LLC

(57) **CLAIM**

We claim the ornamental design for a body for vacuum cleaner, as shown and described.

**DESCRIPTION**

FIG. 1 is a top, front, and left side perspective view of a body for vacuum cleaner showing our new design;

FIG. 2 is a front elevational view thereof;

FIG. 3 is a rear elevational view thereof;

FIG. 4 is a right side elevational view thereof;

FIG. 5 is a left side elevational view thereof;

FIG. 6 is a top plan view thereof;

FIG. 7 is a bottom plan view thereof;

FIG. 8 is a top, front, and left side perspective view of the body for vacuum cleaner of FIG. 1 shown in use with a hose and a brush; and,

FIG. 9 is a top, front, and left side perspective view of the body for vacuum cleaner of FIG. 1 shown in use as a robot vacuum cleaner.

The broken lines in FIGS. 8 and 9 are for illustrative purposes only and form no part of the claimed design.

**1 Claim, 6 Drawing Sheets**

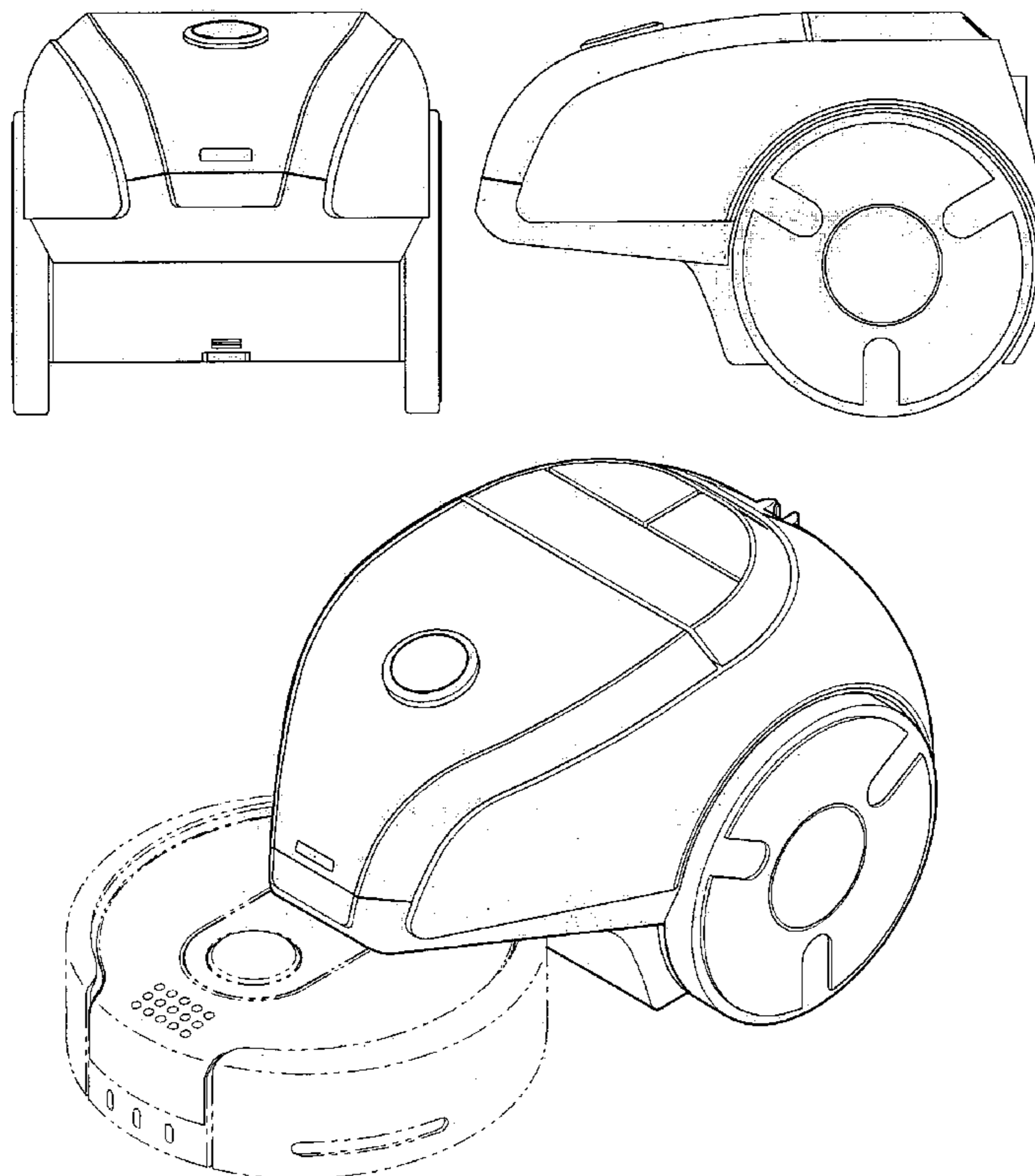


FIG. 1

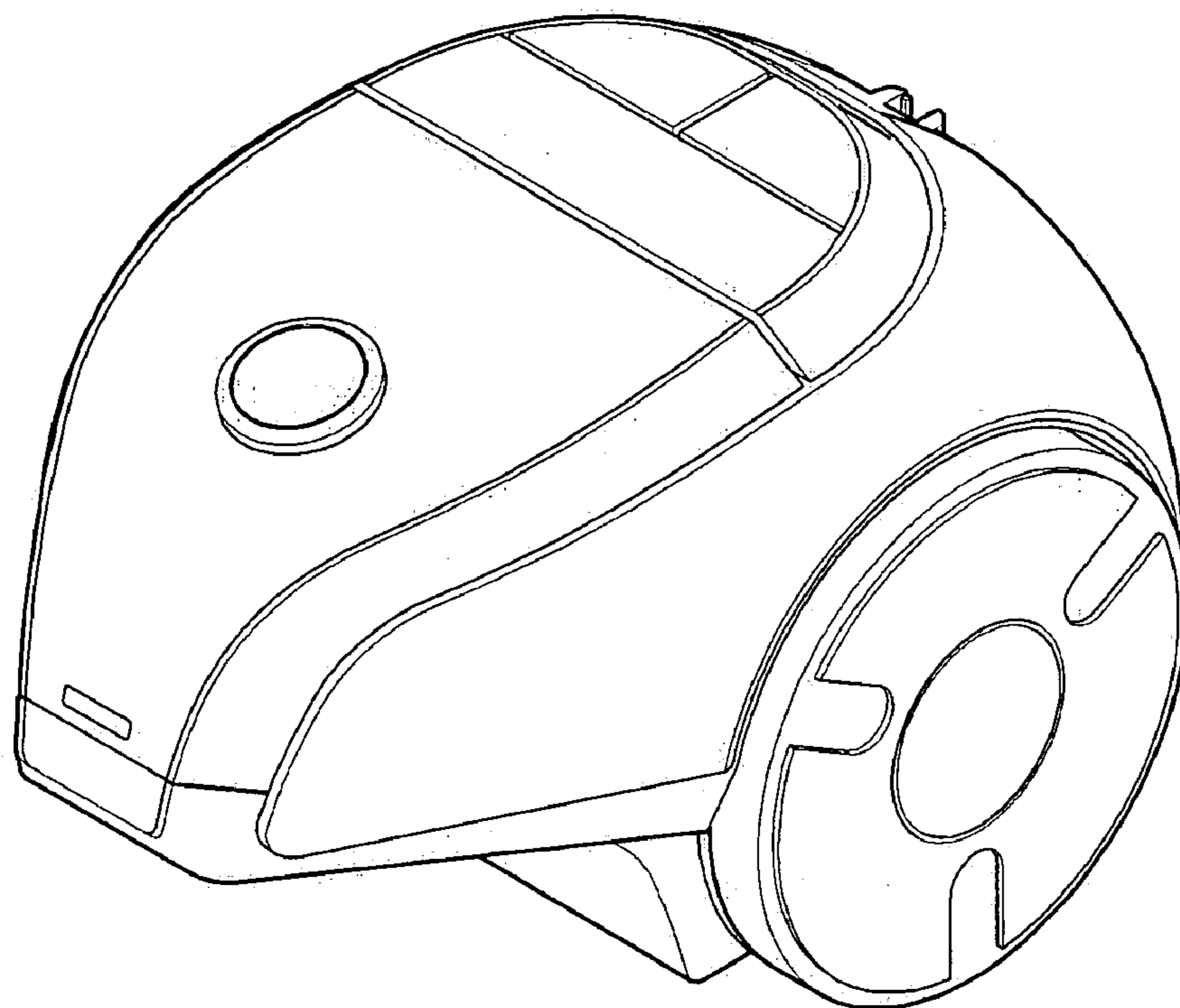
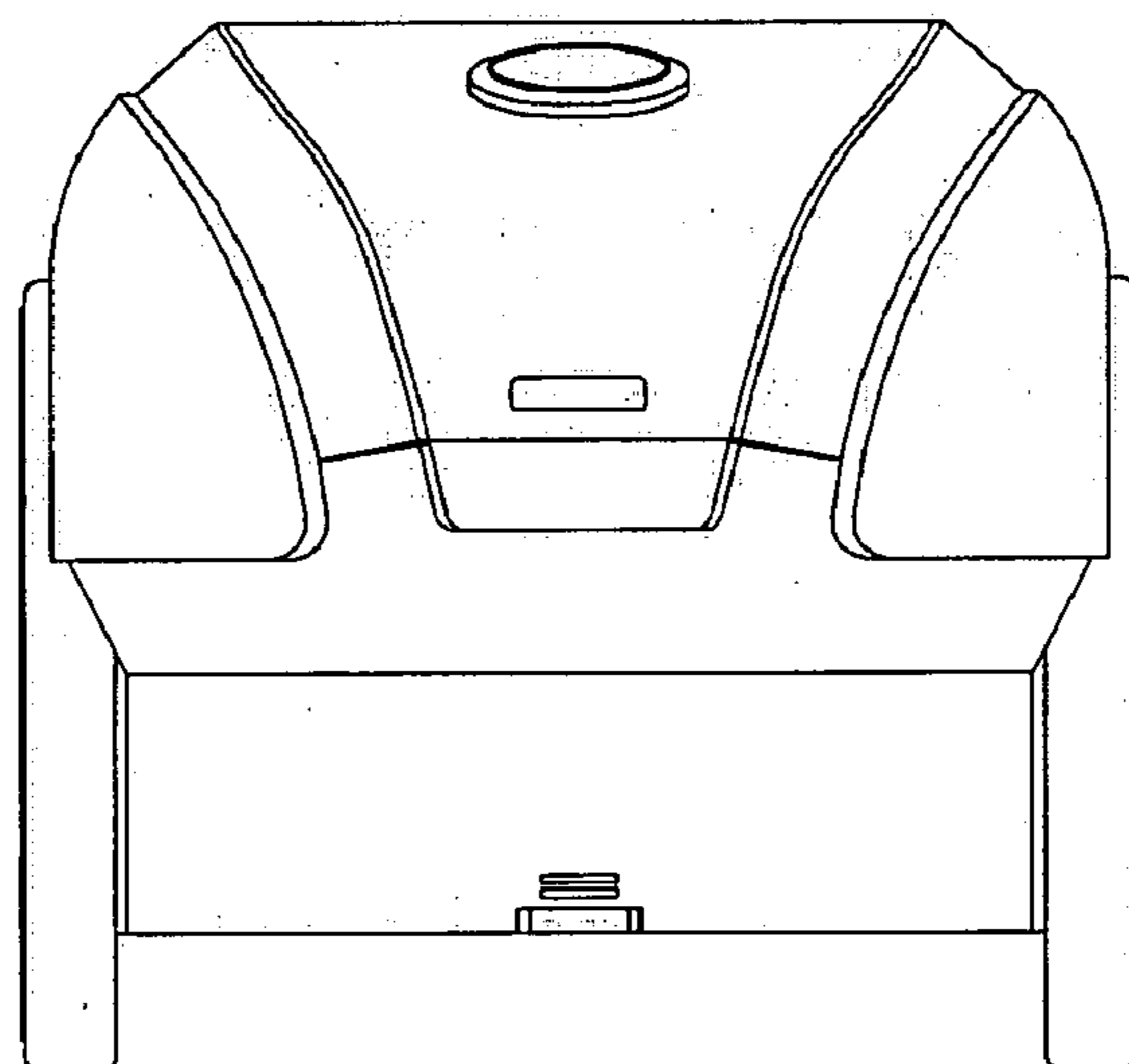
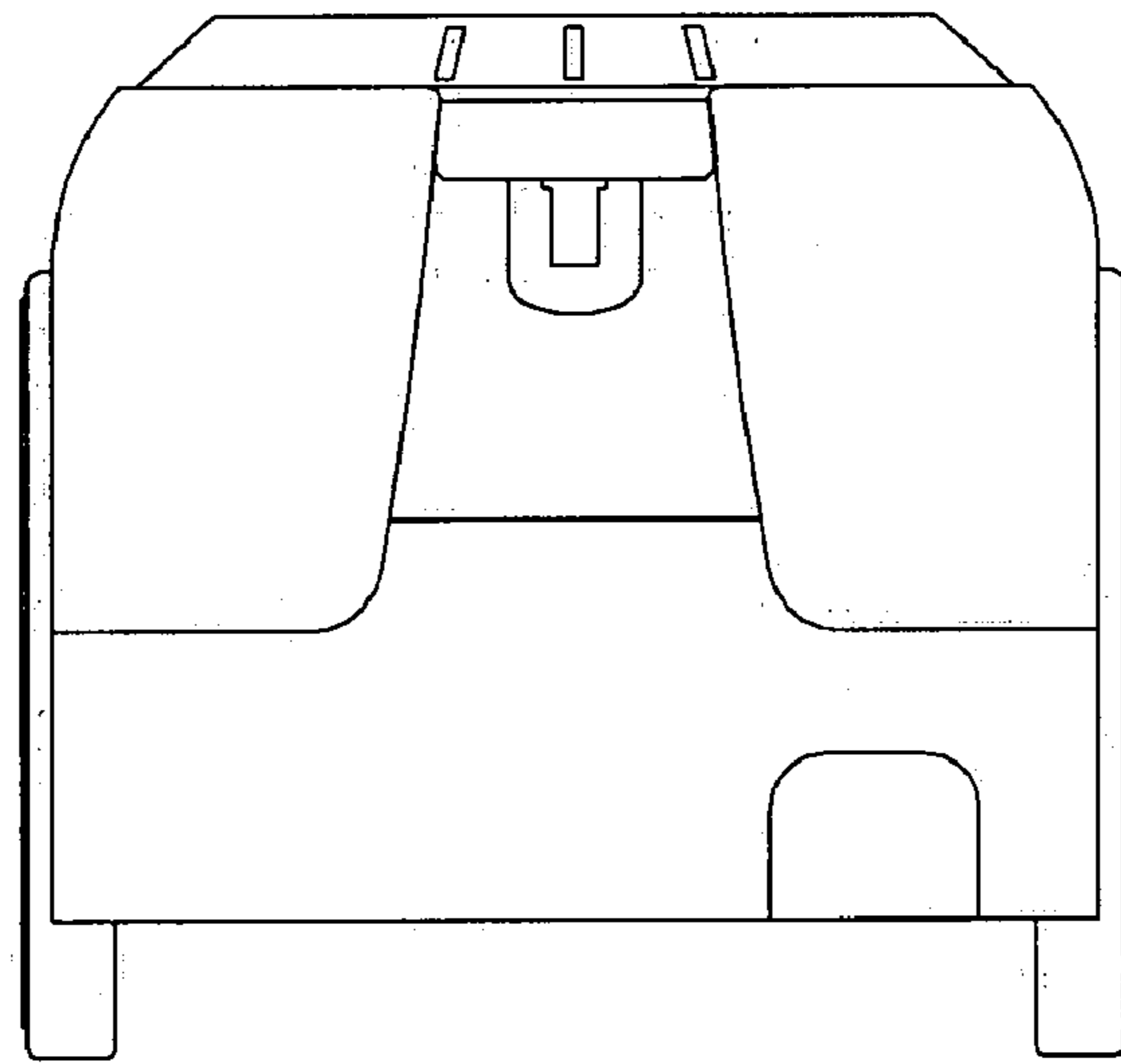


FIG. 2



**FIG. 3**



**FIG. 4**

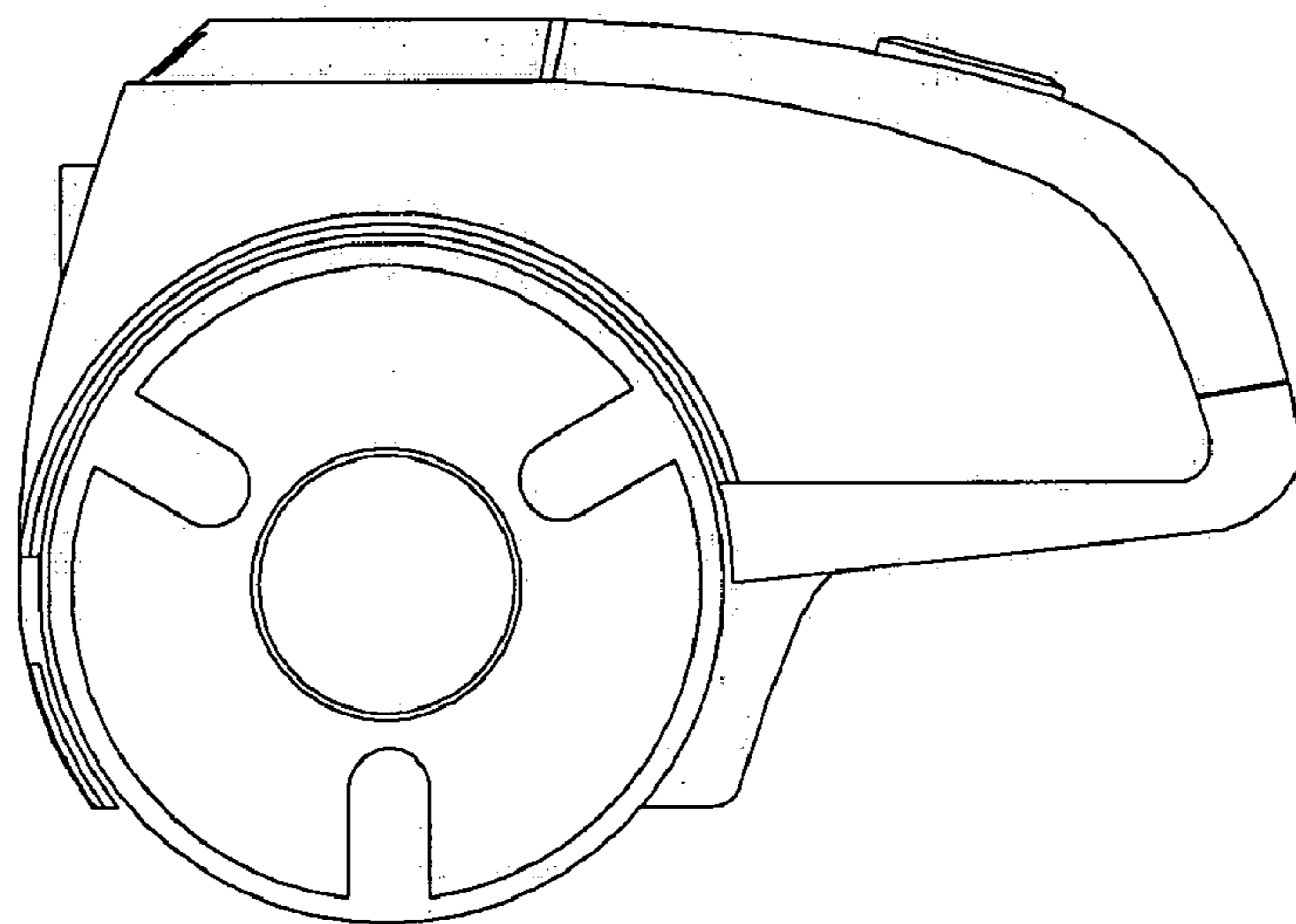


FIG. 5

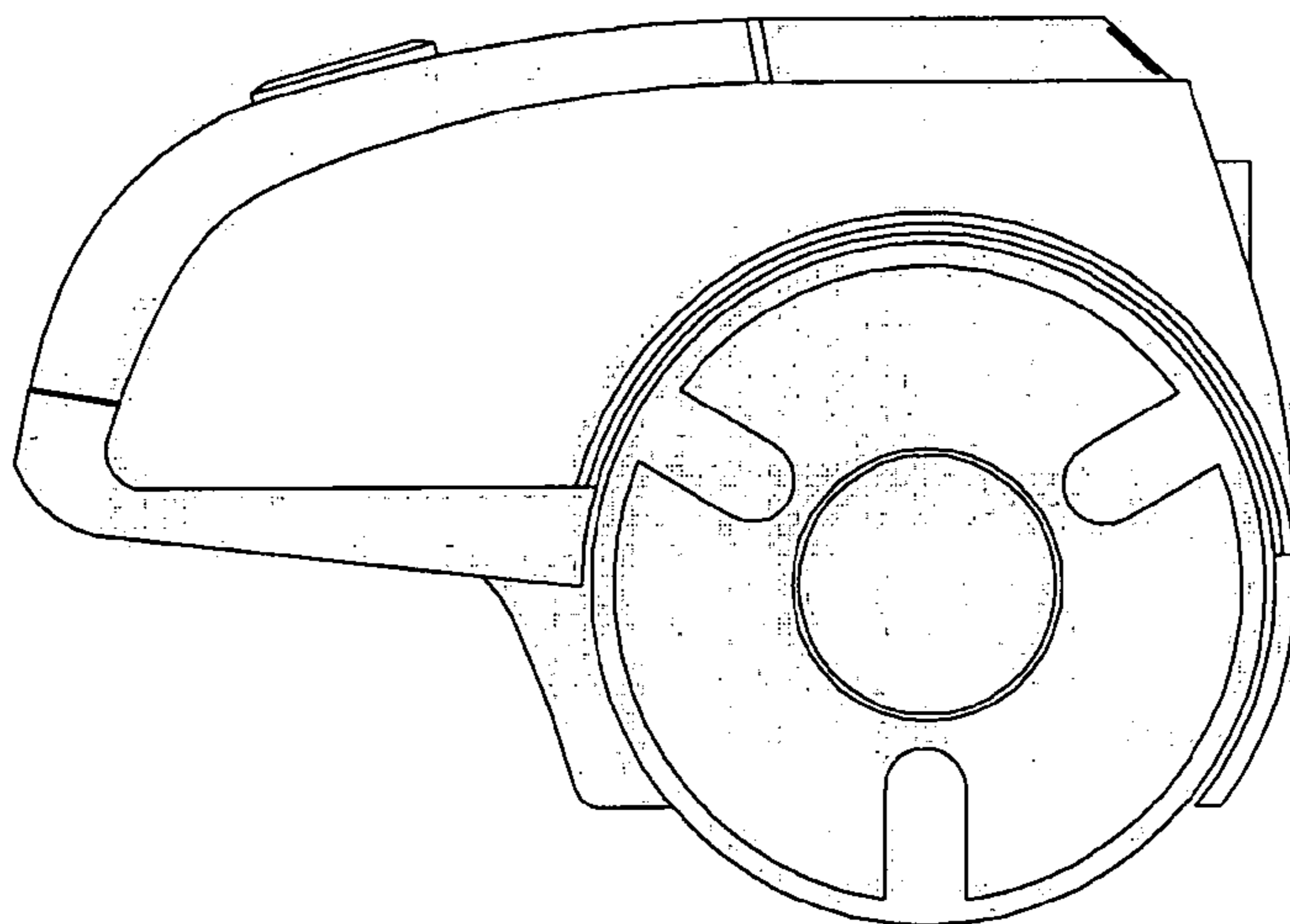
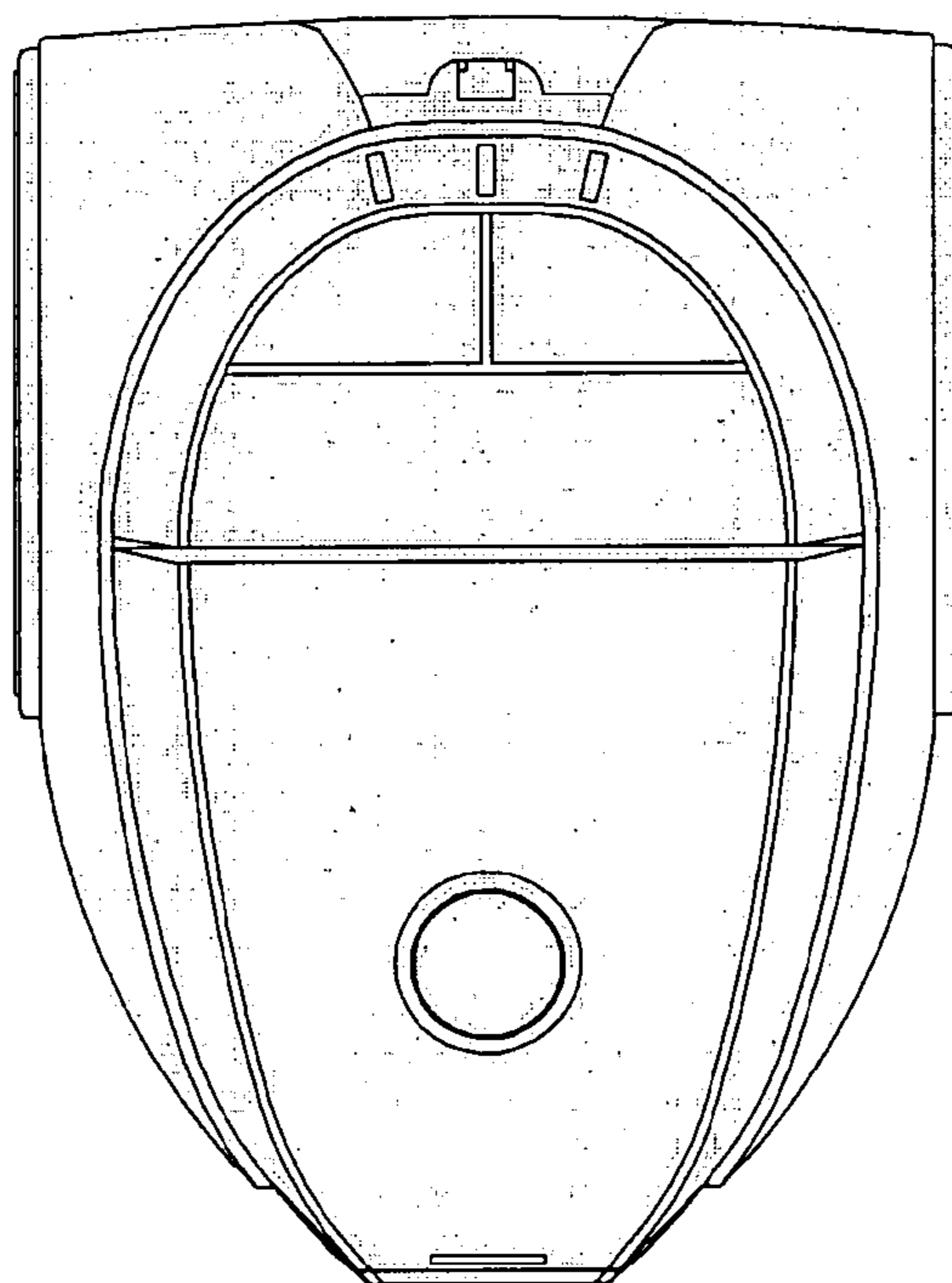


FIG. 6



**FIG. 7**

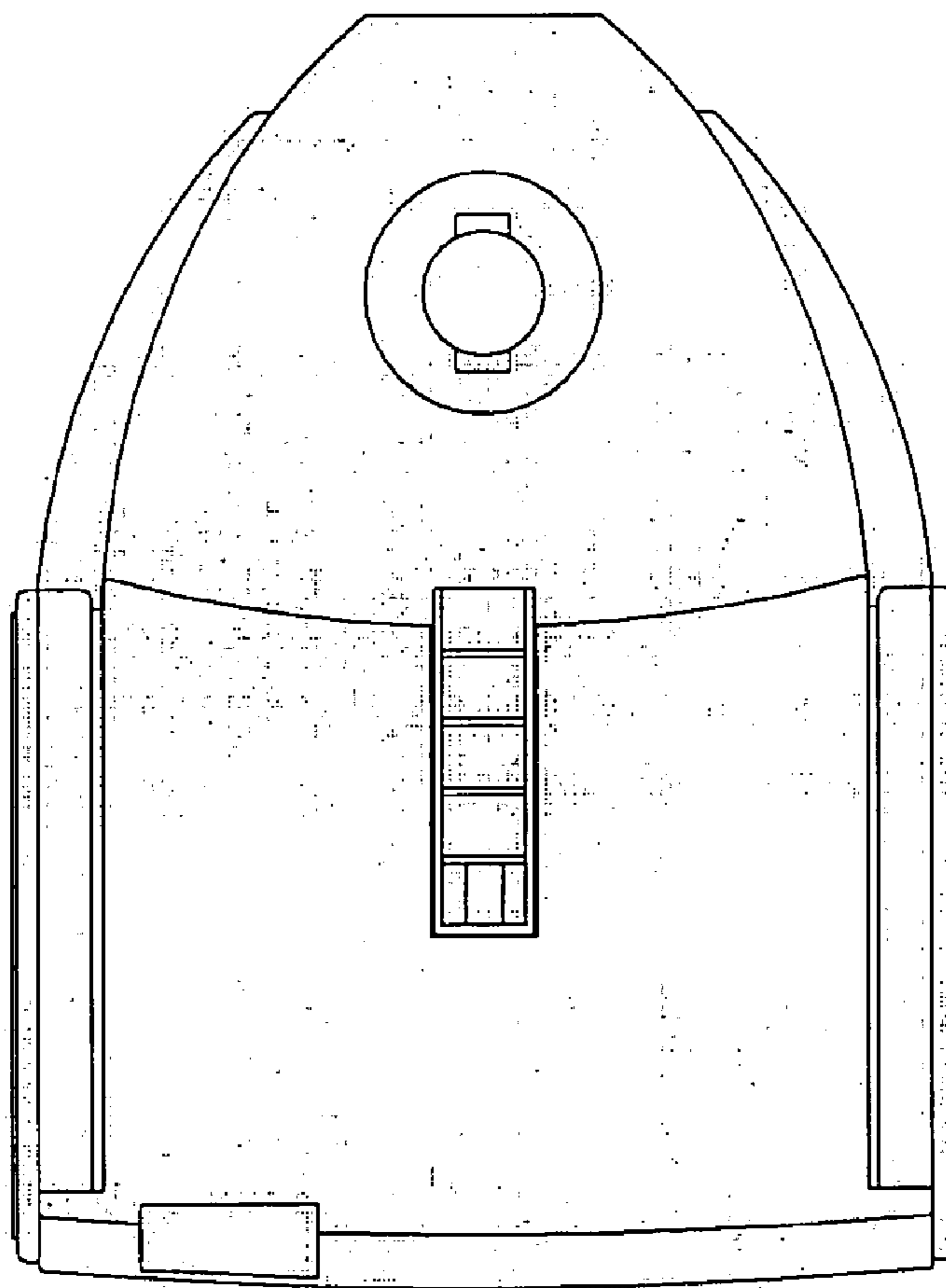


FIG. 8

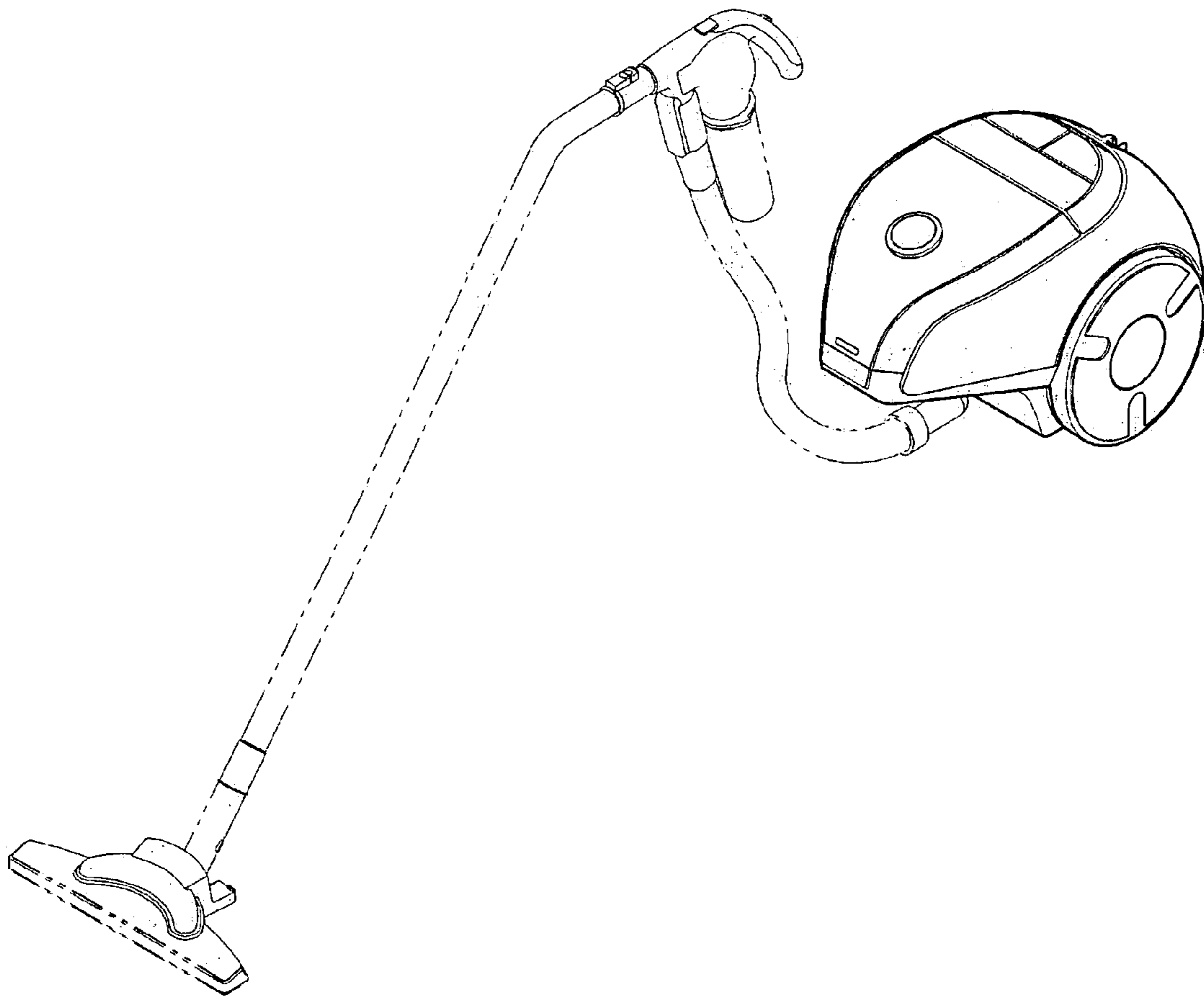


FIG. 9

