



US00D555304S

(12) **United States Design Patent**
Shin et al.

(10) **Patent No.:** **US D555,304 S**

(45) **Date of Patent:** **** Nov. 13, 2007**

(54) **BODY FOR VACUUM CLEANER**

(75) Inventors: **Gwan Woo Shin**, Gwachun-si (KR);
Mi Kyung Kim, Sungnam-si (KR)

(73) Assignee: **Samsung Electronics Co., Ltd.** (KR)

(**) Term: **14 Years**

(21) Appl. No.: **29/257,178**

(22) Filed: **Mar. 30, 2006**

(30) **Foreign Application Priority Data**

Dec. 28, 2005 (KR) 30-2005-0044408

(51) **LOC (8) Cl.** **15-05**

(52) **U.S. Cl.** **D32/21**

(58) **Field of Classification Search** D32/21,
D32/23-24, 31; 15/301, 320-321, 323, 327.1-327.4,
15/327.6-327.7, 329, 347, 352-353, 412;
55/337, 429, 345; 95/271; 210/512.1, 512.2
See application file for complete search history.

(56) **References Cited**

U.S. PATENT DOCUMENTS

D448,128 S * 9/2001 Oh D32/21
D498,886 S * 11/2004 Fujii D32/21

D523,195 S * 6/2006 Choi D32/21
D530,467 S * 10/2006 Tokunaga D32/21
D533,693 S * 12/2006 Lee D32/21
2006/0101610 A1 * 5/2006 Oh et al. 15/327.2

* cited by examiner

Primary Examiner—Ruth McInroy

(74) *Attorney, Agent, or Firm*—Irving Keschner

(57) **CLAIM**

We claim the ornamental design for a body for vacuum cleaner, as shown and described.

DESCRIPTION

FIG. 1 is a perspective view of a body for vacuum cleaner showing our new design;

FIG. 2 is a front elevational view thereof;

FIG. 3 is a rear elevational view thereof;

FIG. 4 is a left side elevational view thereof;

FIG. 5 is a right side elevational view thereof;

FIG. 6 is a top plan view thereof;

FIG. 7 is a bottom plan view thereof; and,

FIG. 8 is a perspective view thereof, the hose and brush shown in broken lines form no part of the claimed design.

1 Claim, 6 Drawing Sheets

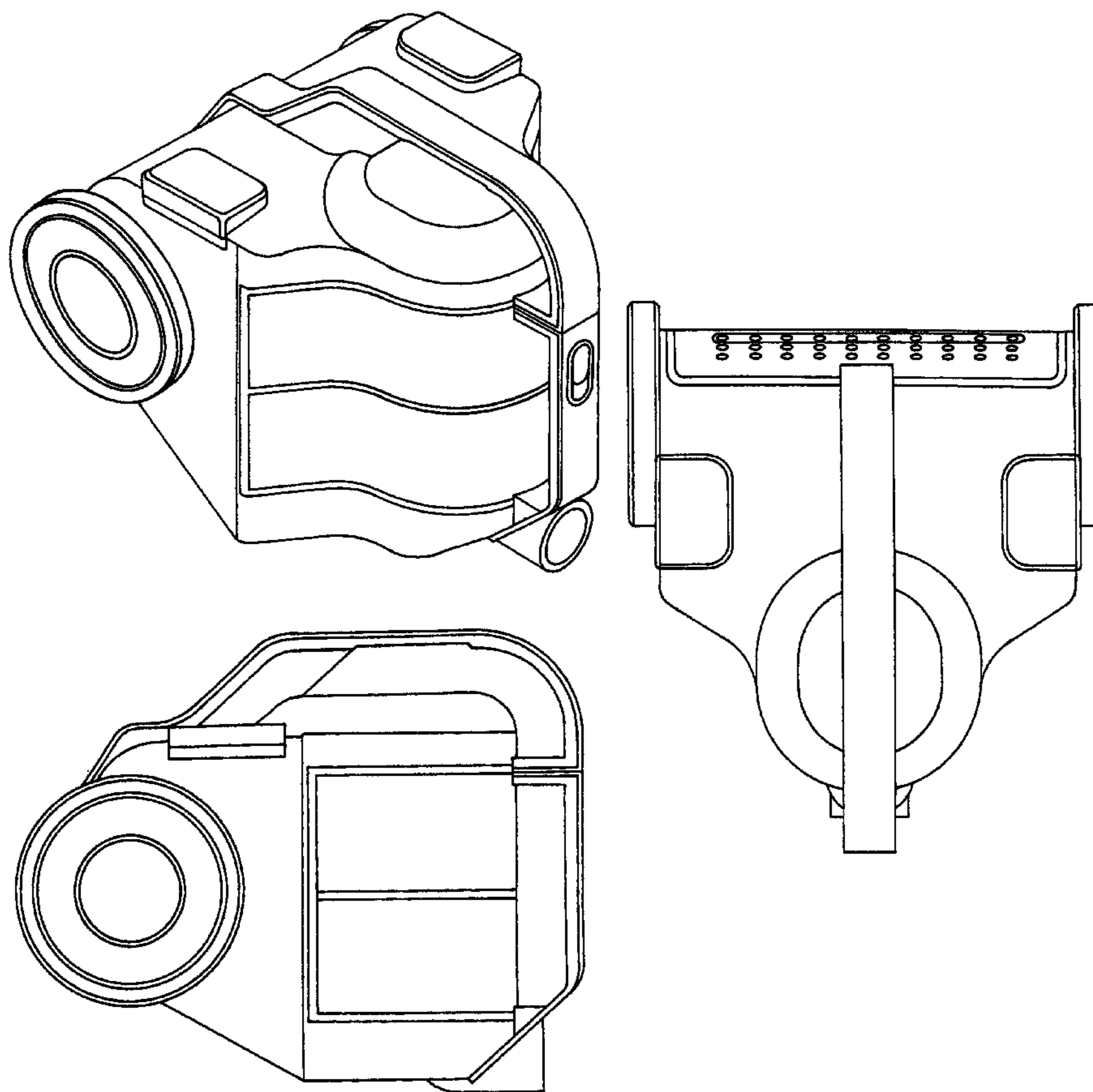


FIG. 1

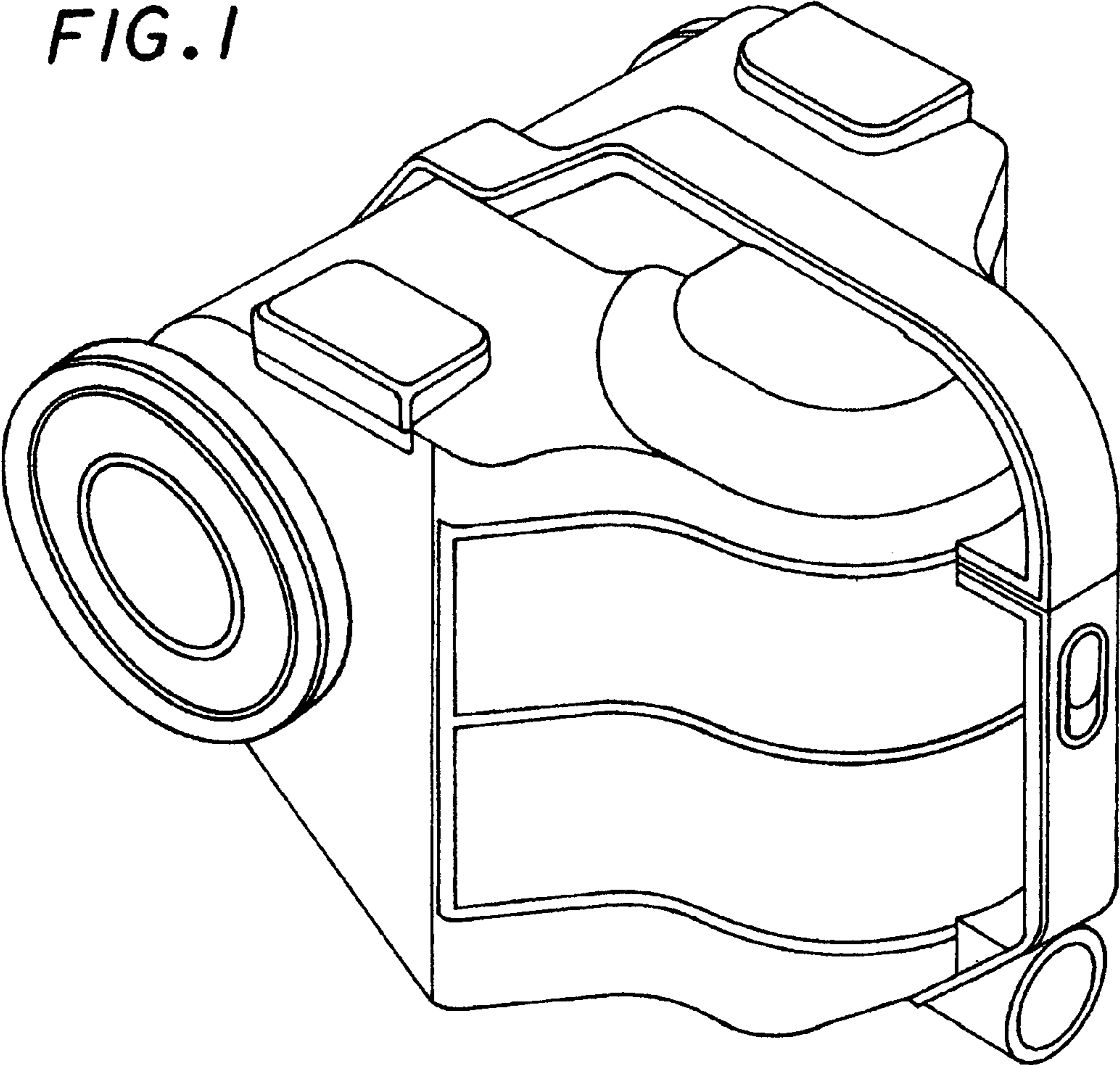


FIG. 2

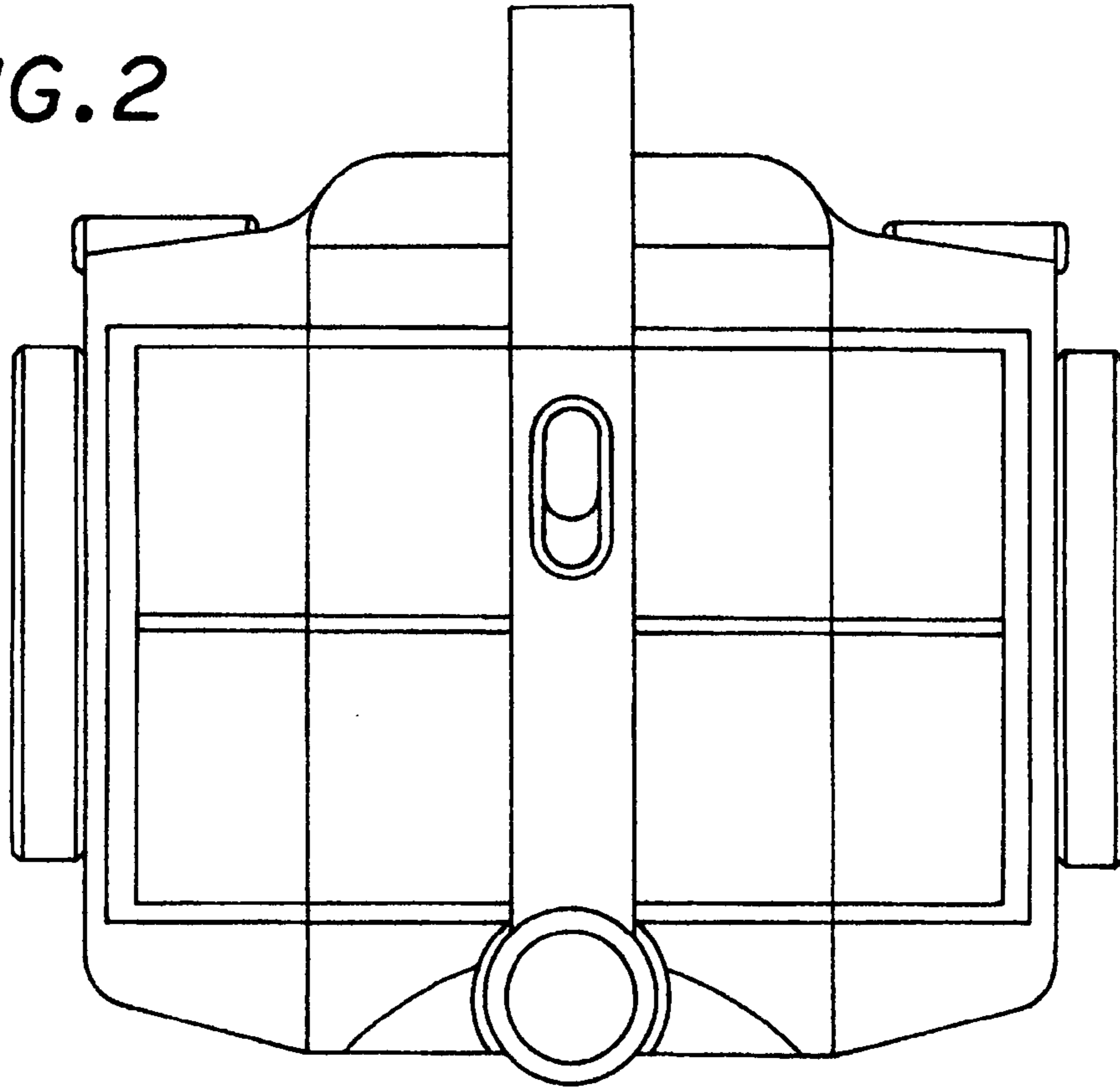


FIG. 3

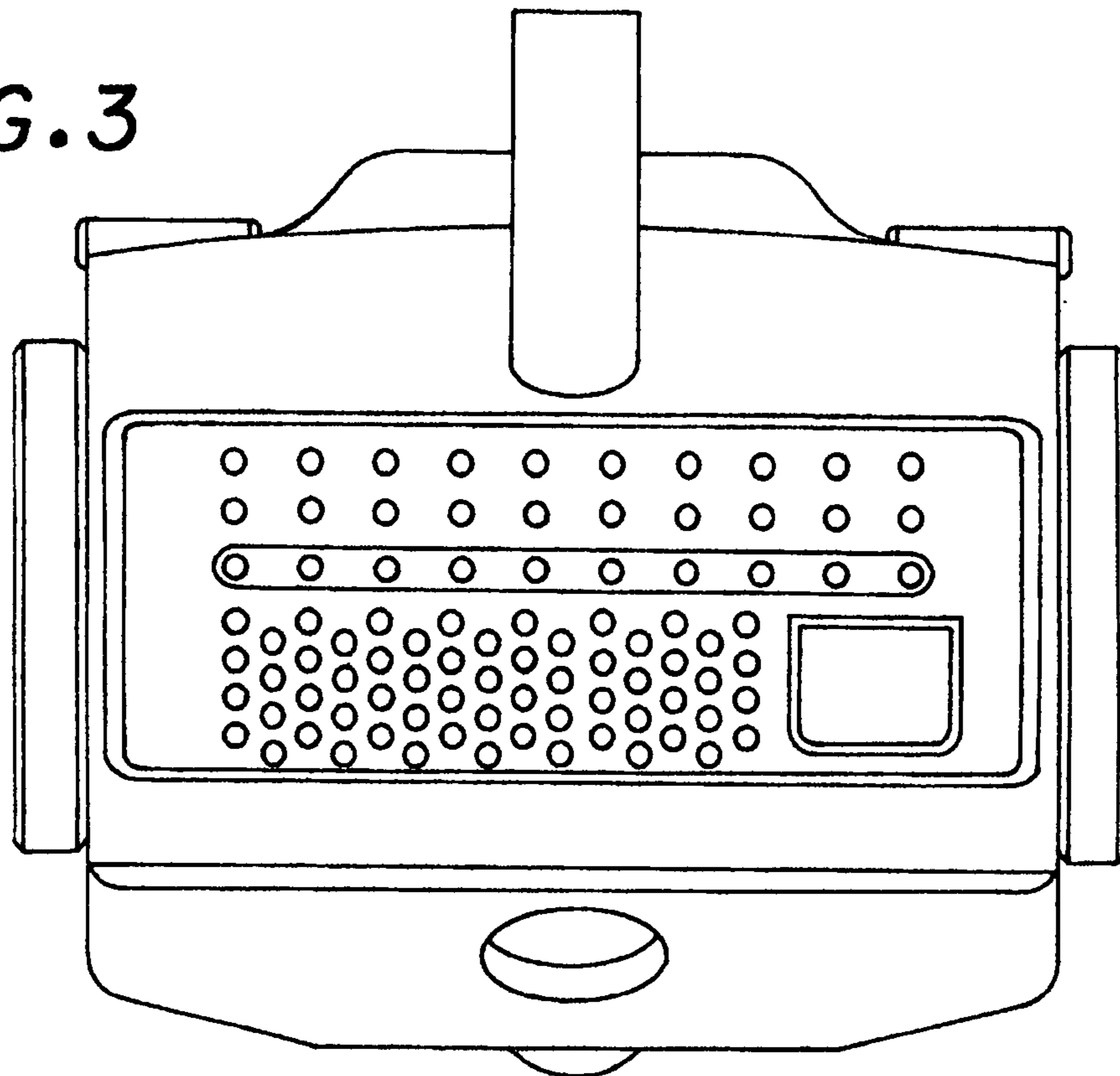


FIG. 4

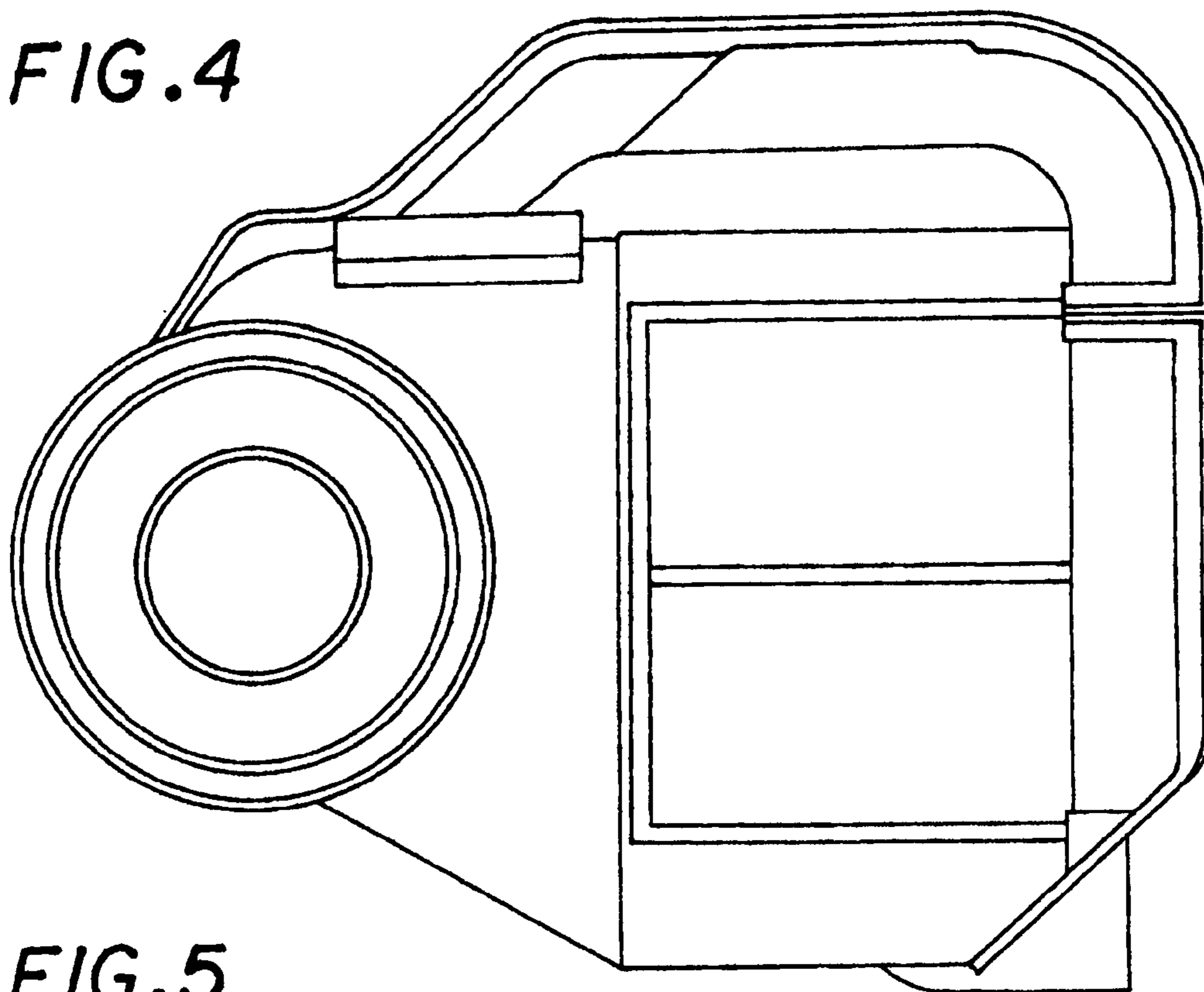


FIG. 5

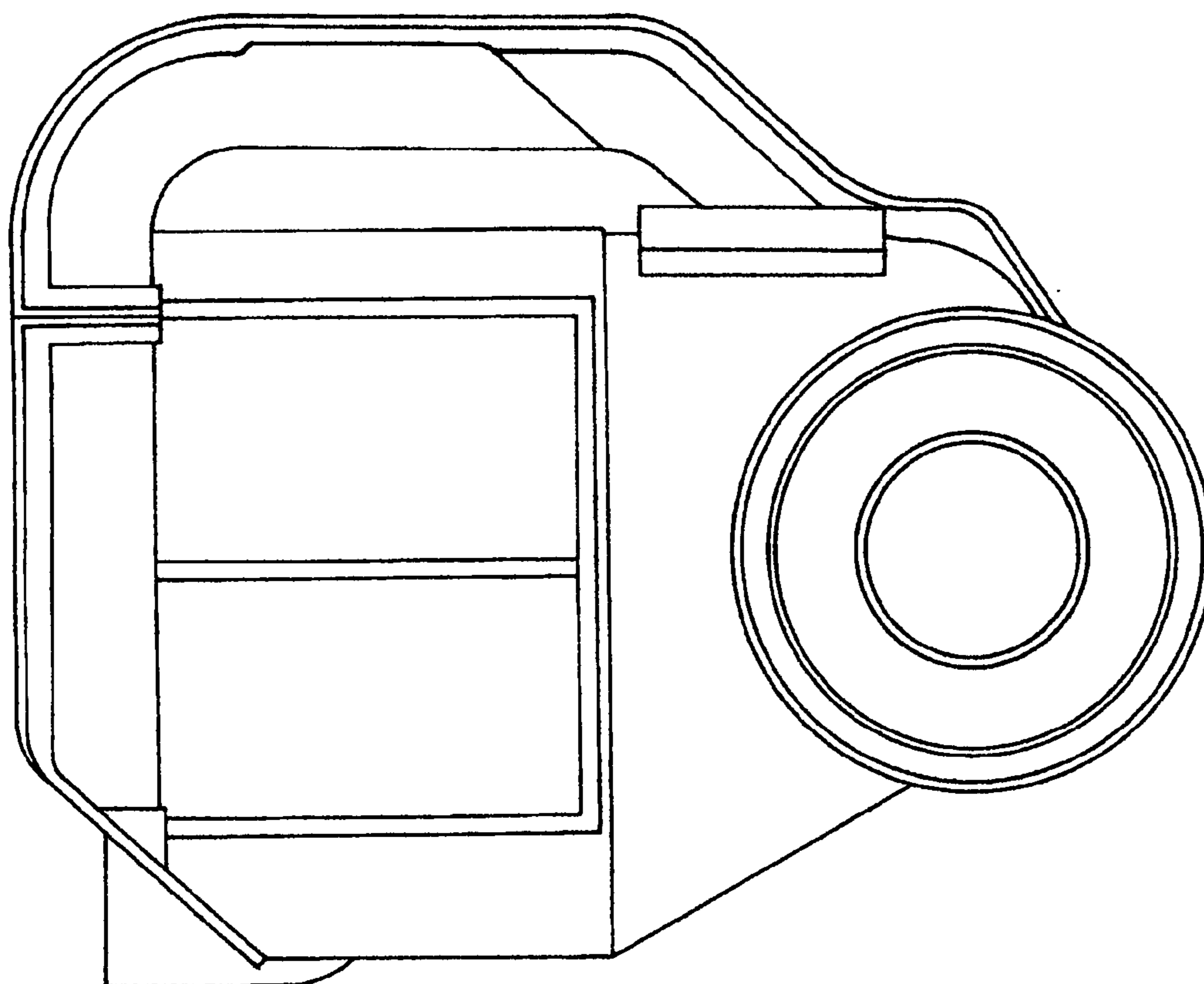


FIG. 6

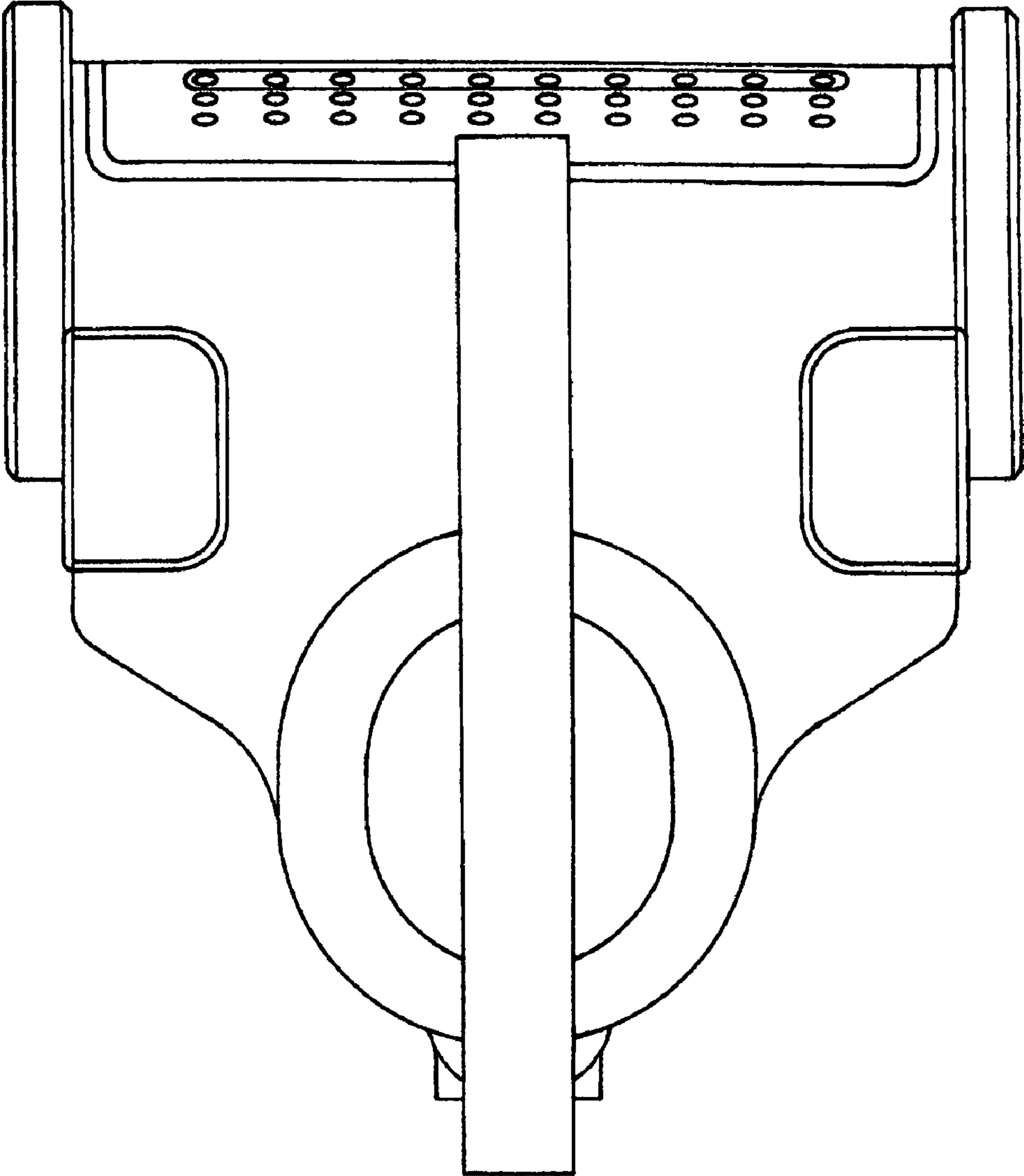
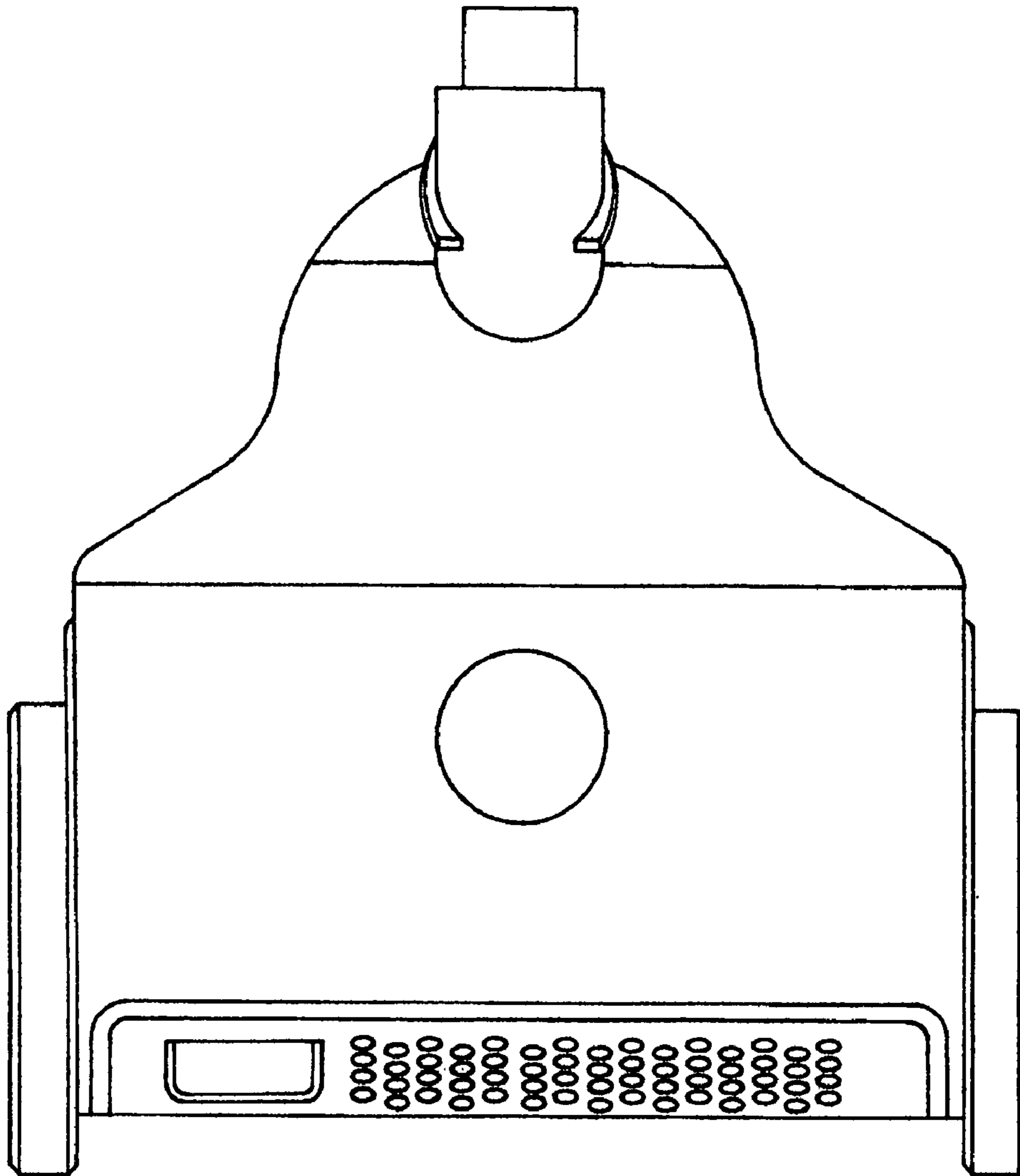


FIG. 7



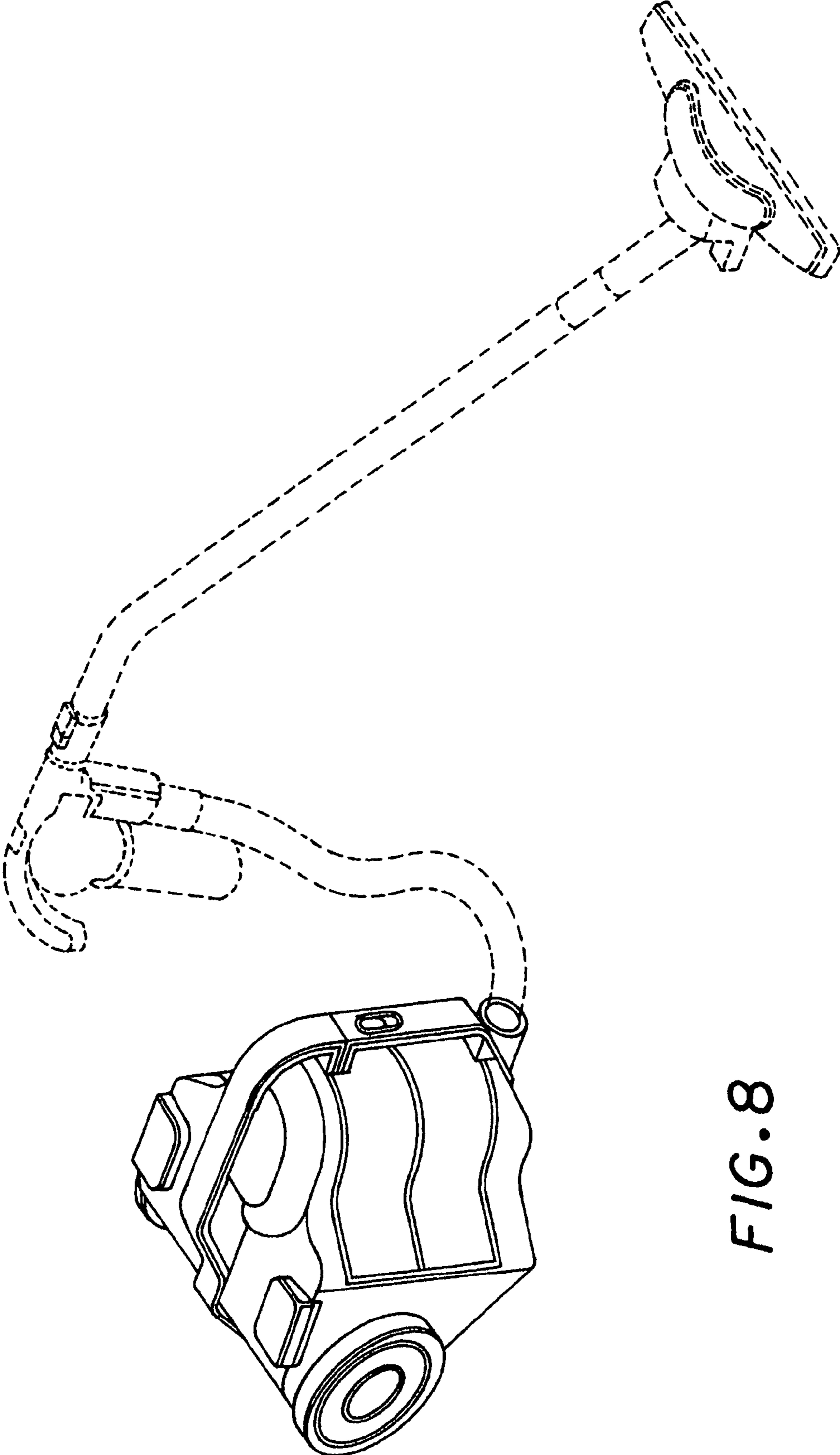


FIG. 8