



US00D555302S

(12) **United States Design Patent**
Bohnen et al.

(10) **Patent No.:** **US D555,302 S**

(45) **Date of Patent:** **** Nov. 13, 2007**

(54) **SOLE WASHING DEVICE**

(75) Inventors: **David Joseph Bohnen**, Sonora, CA
(US); **Linda Anne Bohnen**, Sonora, CA
(US)

(73) Assignee: **David Joseph Bohnen and Linda Anne Bohnen**, Sonora, CA (US),
Trustees of the David and Linda Bohnen 2004 Family Trust created in accordance with all applicable laws of the State of California and dated Jan. 2, 2004.

(**) Term: **14 Years**

(21) Appl. No.: **29/271,823**

(22) Filed: **Jan. 24, 2007**

Related U.S. Application Data

(62) Division of application No. 29/240,893, filed on Oct. 19, 2005, now Pat. No. Des. 543,318.

(51) **LOC (8) Cl.** **15-05**

(52) **U.S. Cl.** **D32/1**

(58) **Field of Classification Search** D32/1,
D32/47, 14.1; 15/215-217, 104.92, 112-114,
15/161, 237-238, 29-30, 34, 36, 160; 601/134-136,
601/28, 138

See application file for complete search history.

(56) **References Cited**

U.S. PATENT DOCUMENTS

4,353,944 A * 10/1982 Tarui 428/74
4,425,677 A * 1/1984 Cox 15/104.92
4,793,018 A * 12/1988 Ehrich 15/104.92
D370,318 S * 5/1996 Molina D32/14.1

5,556,685 A * 9/1996 Swicegood, Jr. 428/95
5,950,269 A * 9/1999 Openshaw et al. 15/36
5,996,160 A * 12/1999 Pruitt 15/104.92
6,301,739 B1 * 10/2001 Cazaux 15/161
6,534,146 B1 * 3/2003 Mentz, Jr. 428/95
6,651,288 B1 * 11/2003 Hackett 15/104.92
D496,931 S * 10/2004 Yoshihara D14/258
2004/0078909 A1 * 4/2004 Coppa 15/104.92

* cited by examiner

Primary Examiner—Louis S. Zarfes

Assistant Examiner—Kathleen Sims

(74) *Attorney, Agent, or Firm*—Martin E. Hsia

(57) **CLAIM**

The ornamental design for a sole washing device, as shown and described.

DESCRIPTION

FIG. 1 is a perspective view of the sole washing device of the present invention, having a washing compartment with a closable cover and a drying compartment, the cover being shown in a partially open position to show a plurality of ridges in the washing compartment;

FIG. 2 is a top view thereof;

FIG. 3 is a bottom view thereof;

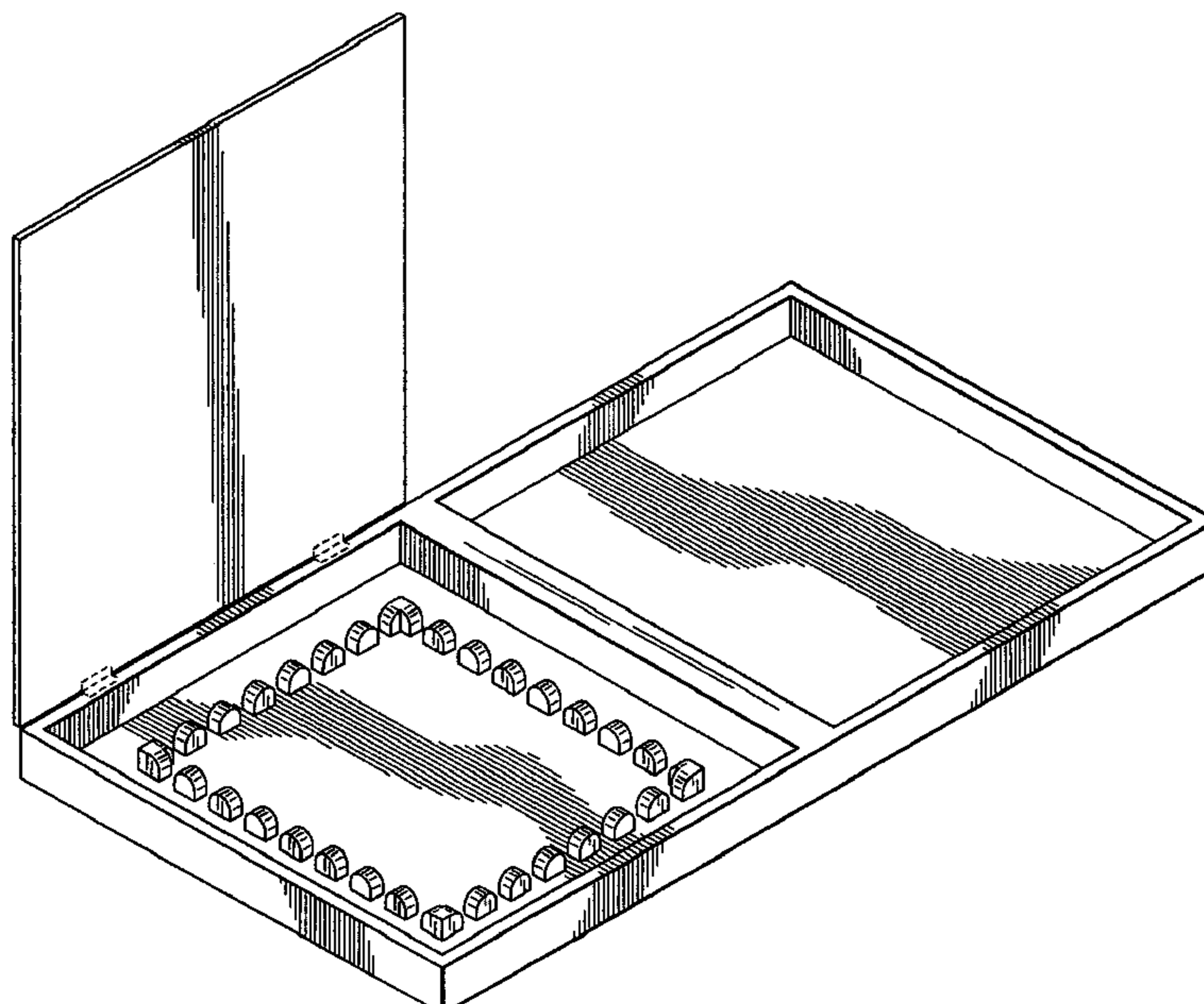
FIG. 4 is a front view thereof;

FIG. 5 is a side view thereof from the right, the side view from the left being a mirror image; and,

FIG. 6 is a perspective view thereof with the cover shown in the closed position.

The broken line showing of hinges in FIGS. 1, 2, and 4 is included for the purpose of illustrating portions of the sole washing device and forms no part of the claimed design.

1 Claim, 6 Drawing Sheets



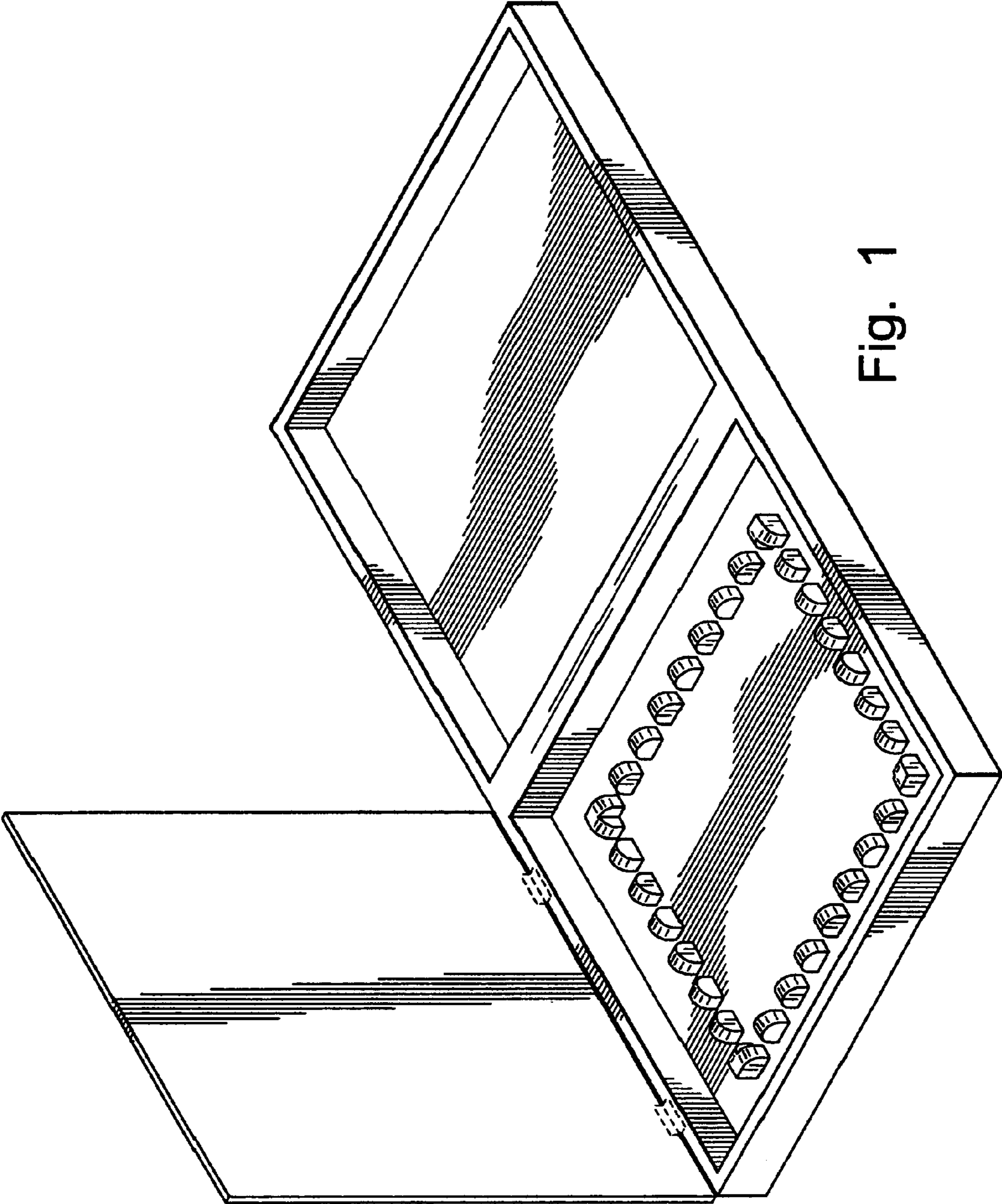


Fig. 1

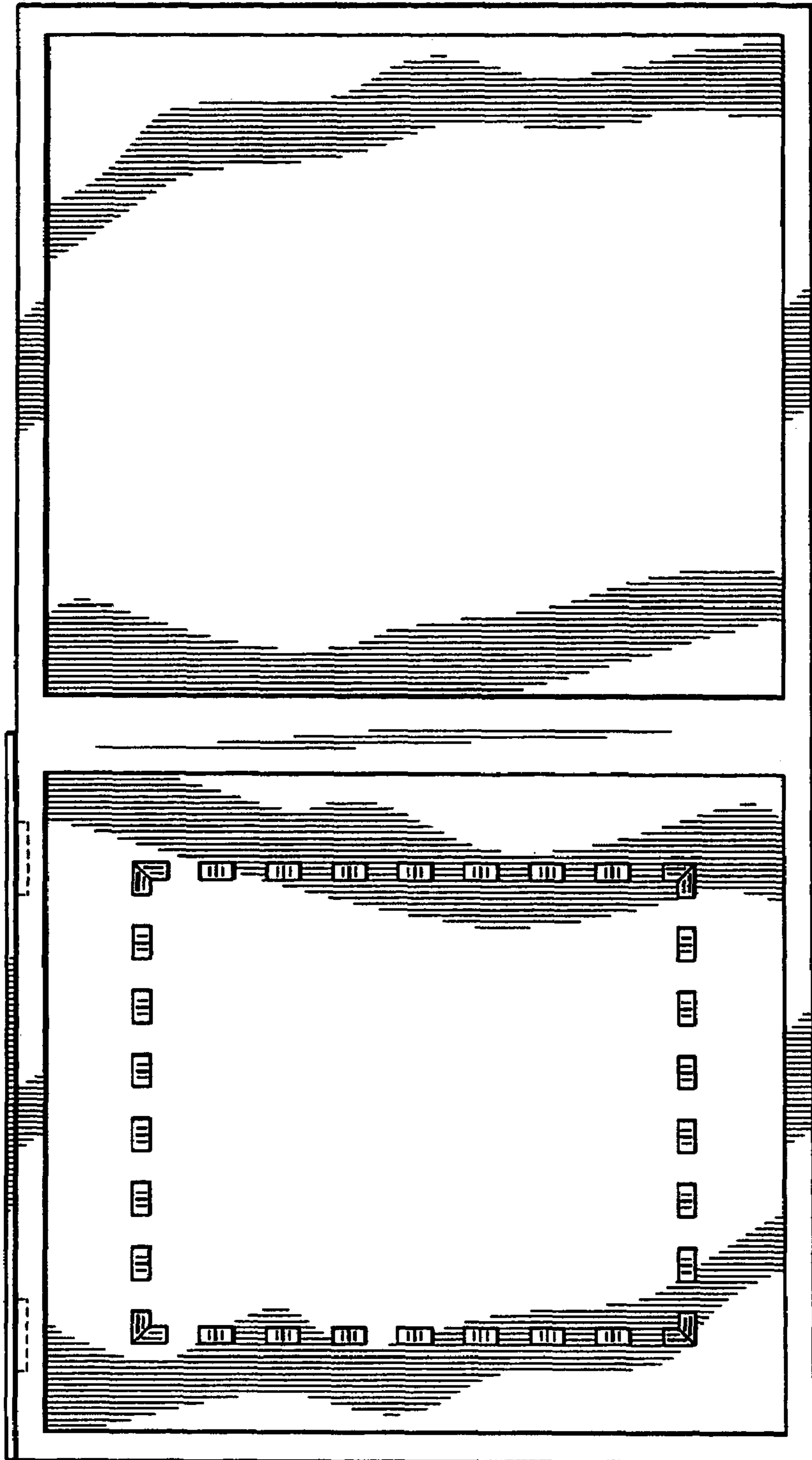


Fig. 2

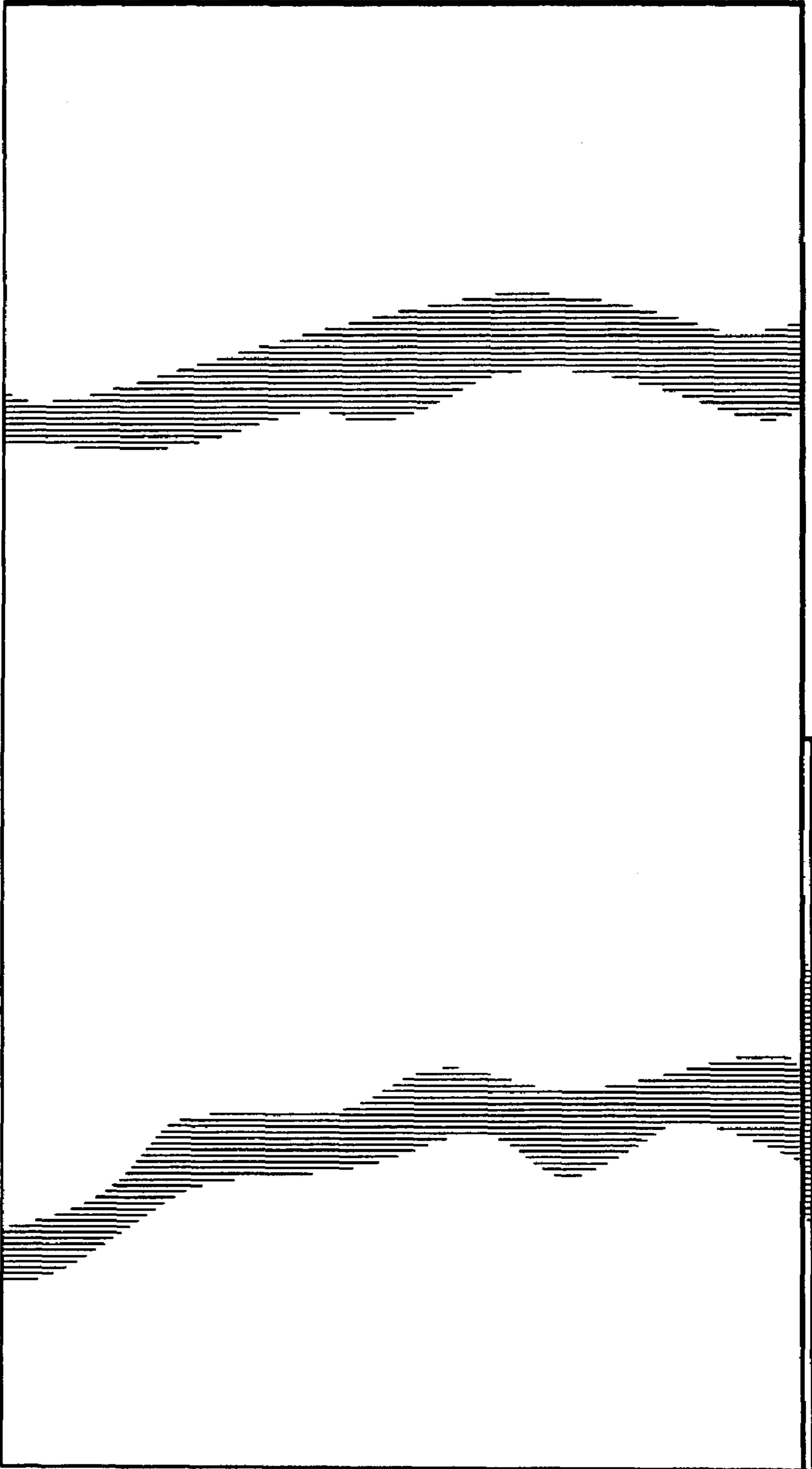


Fig. 3

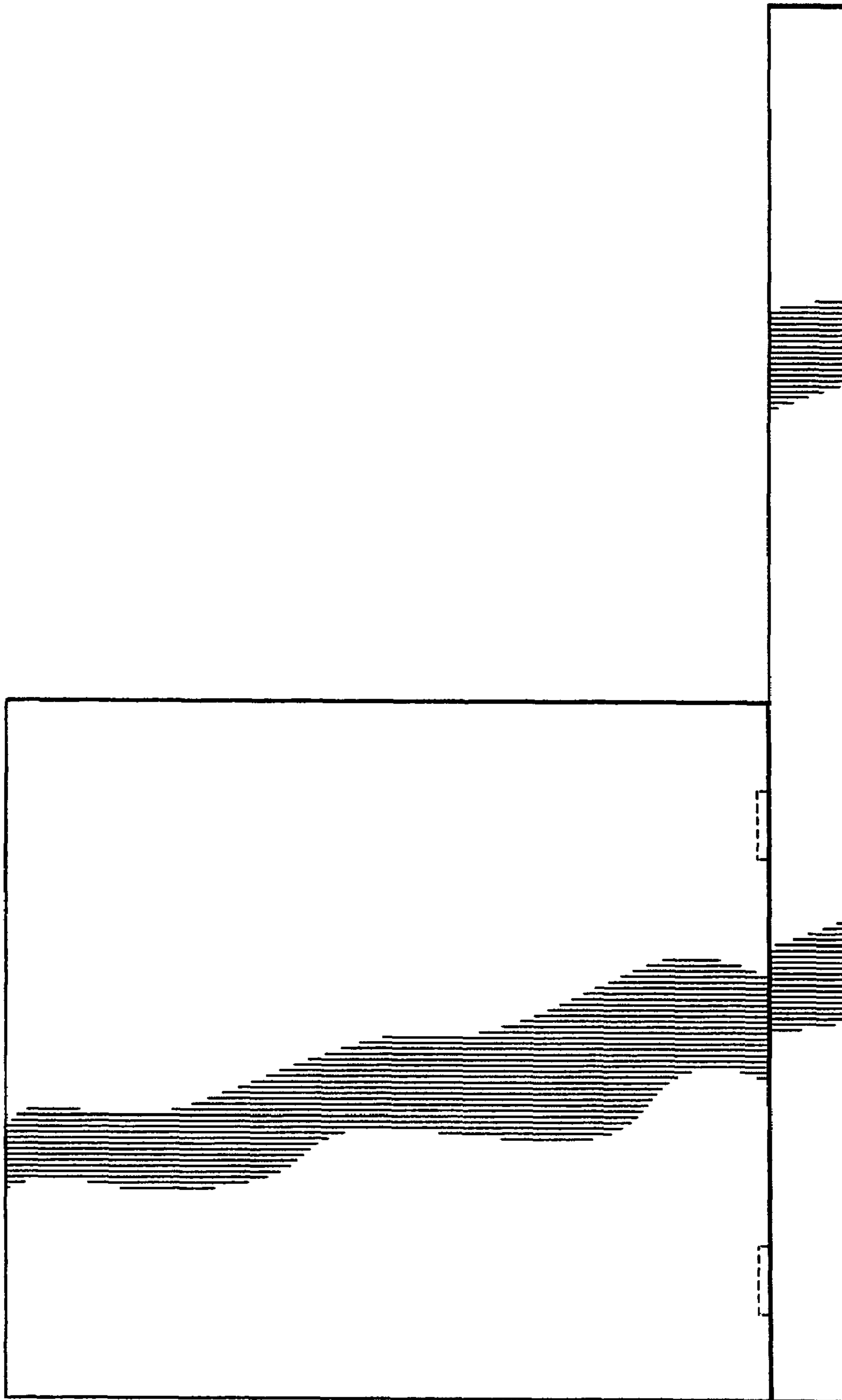


Fig. 4

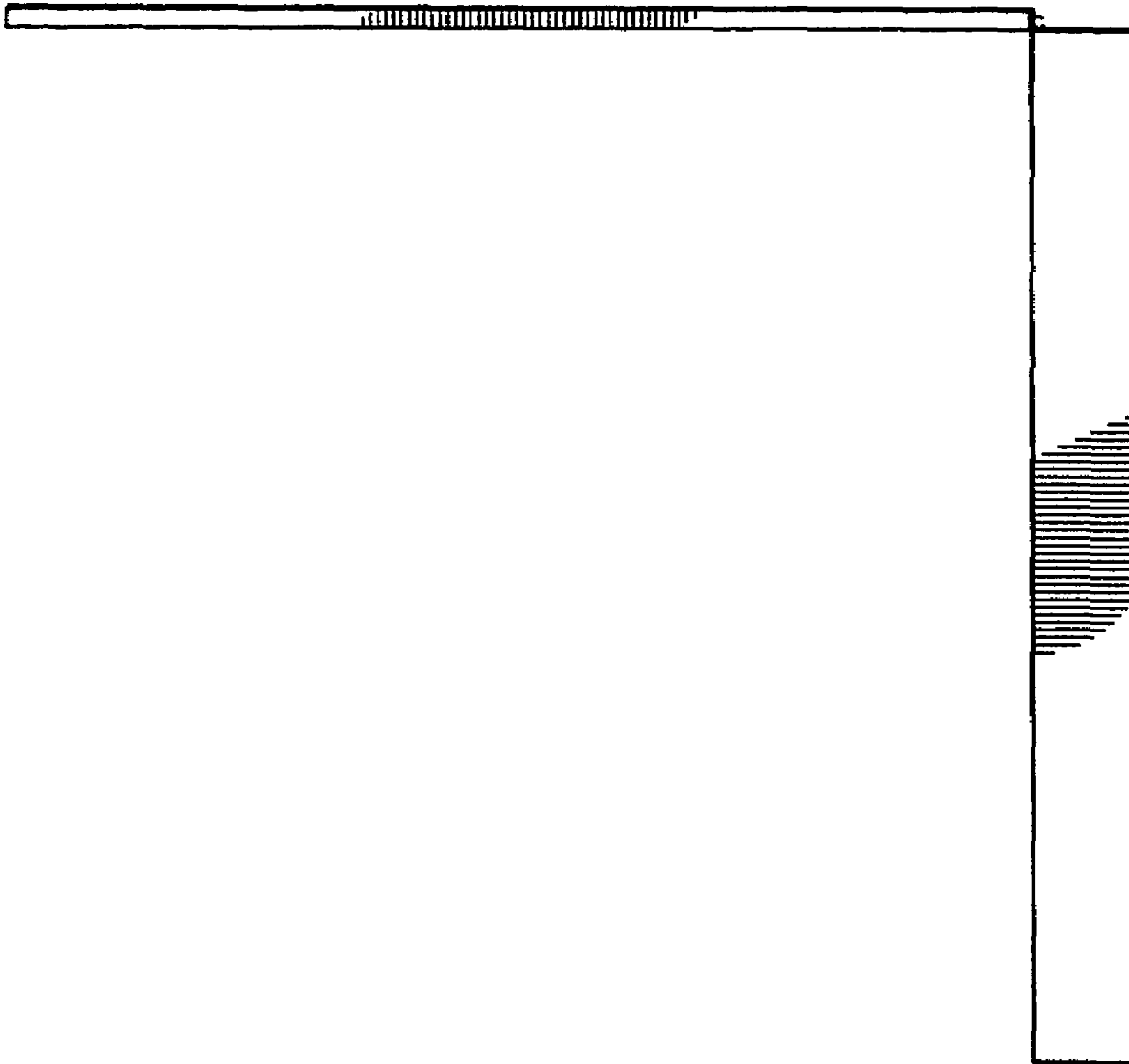


Fig. 5

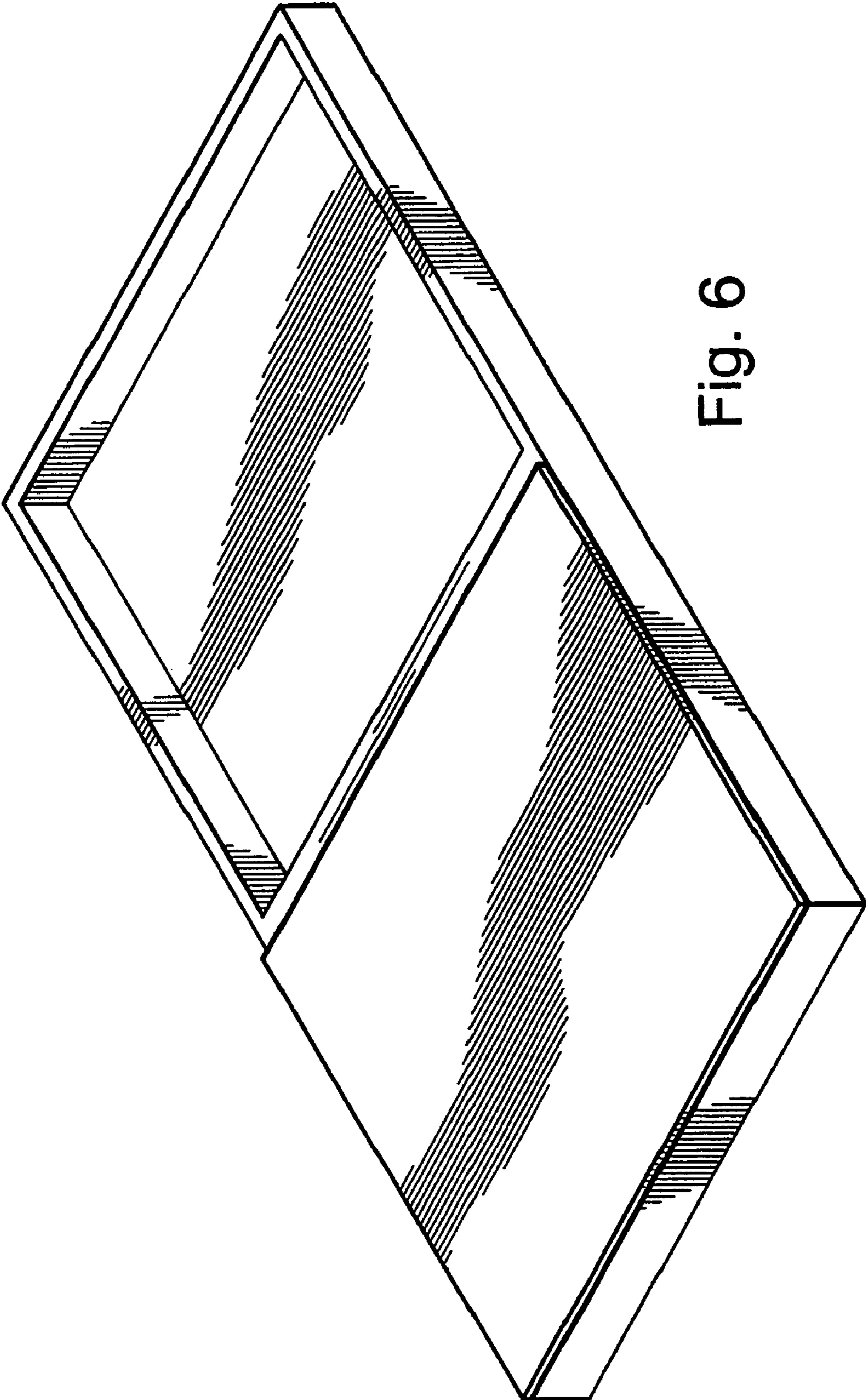


Fig. 6