



US00D555298S

(12) **United States Design Patent**
Garon

(10) **Patent No.:** **US D555,298 S**

(45) **Date of Patent:** **** Nov. 13, 2007**

(54) **WEARABLE PET RESERVOIR**

(75) Inventor: **Mark Garon**, Saint-Hyacinthe (CA)

(73) Assignee: **Multi-Vet Ltd.**, St-Hyacinthe (CA)

(**) Term: **14 Years**

(21) Appl. No.: **29/253,647**

(22) Filed: **Feb. 10, 2006**

(51) **LOC (8) Cl.** **30-04**

(52) **U.S. Cl.** **D30/152**

(58) **Field of Classification Search** 119/712,
119/719-21, 856, 859, 863, 908; D30/152,
D30/199; D10/104, 106; 340/537.3, 573.1;
D14/432, 356, 344; D3/215, 228; 40/658
See application file for complete search history.

(56) **References Cited**

U.S. PATENT DOCUMENTS

4,612,719	A *	9/1986	de Jong	40/658
D385,855	S *	11/1997	Ronzani	D14/344
D387,898	S *	12/1997	Ronzani	D3/215
D400,458	S *	11/1998	Titus et al.	D10/104
D410,206	S *	5/1999	Slater	D10/104
D419,271	S *	1/2000	Camino et al.	D30/152
D428,218	S *	7/2000	Dehart	D30/152
D456,811	S *	5/2002	Wheelock et al.	D14/432

2003/0122678 A1* 7/2003 Duncan et al. 340/573.3

* cited by examiner

Primary Examiner—M. H. Tung

Assistant Examiner—Susan Moon Lee

(74) *Attorney, Agent, or Firm*—Ogilvy Renault LLP

(57) **CLAIM**

The ornamental design for a wearable pet reservoir, as shown and described.

DESCRIPTION

FIG. 1 is a bottom perspective view of the wearable pet reservoir in accordance with my new design invention.

FIG. 2 is a front elevation view of the wearable pet reservoir of FIG. 1.

FIG. 3 is top plan view of the wearable pet reservoir of FIG. 1.

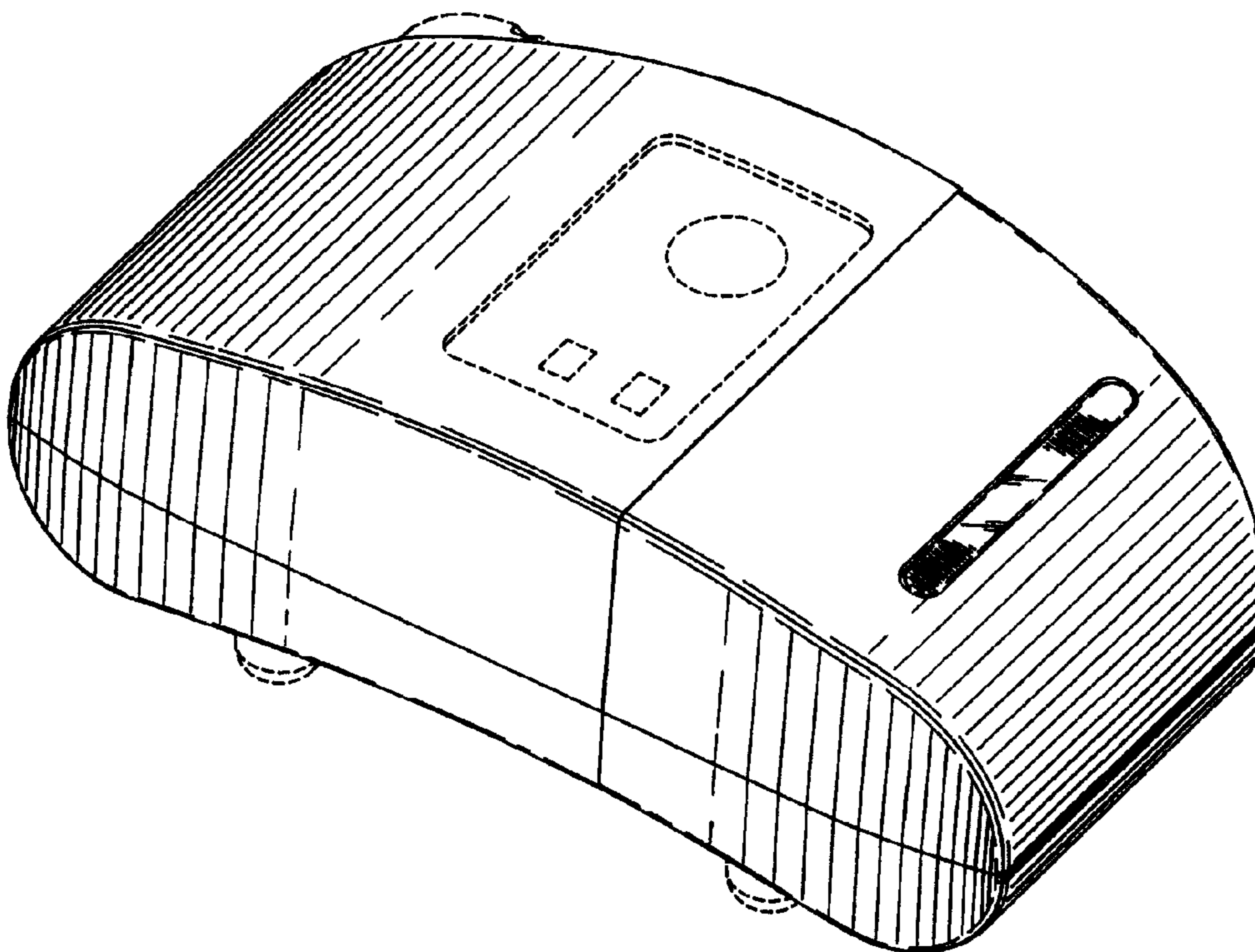
FIG. 4 is a bottom plan view of the wearable pet reservoir of FIG. 1.

FIG. 5 is a side elevation view of the wearable pet reservoir of FIG. 1; and,

FIG. 6 is a rear elevation view of the wearable pet reservoir of FIG. 1.

The portions of the drawings shown in broken line are for illustrative purposes only and form no part of the claimed design.

1 Claim, 4 Drawing Sheets



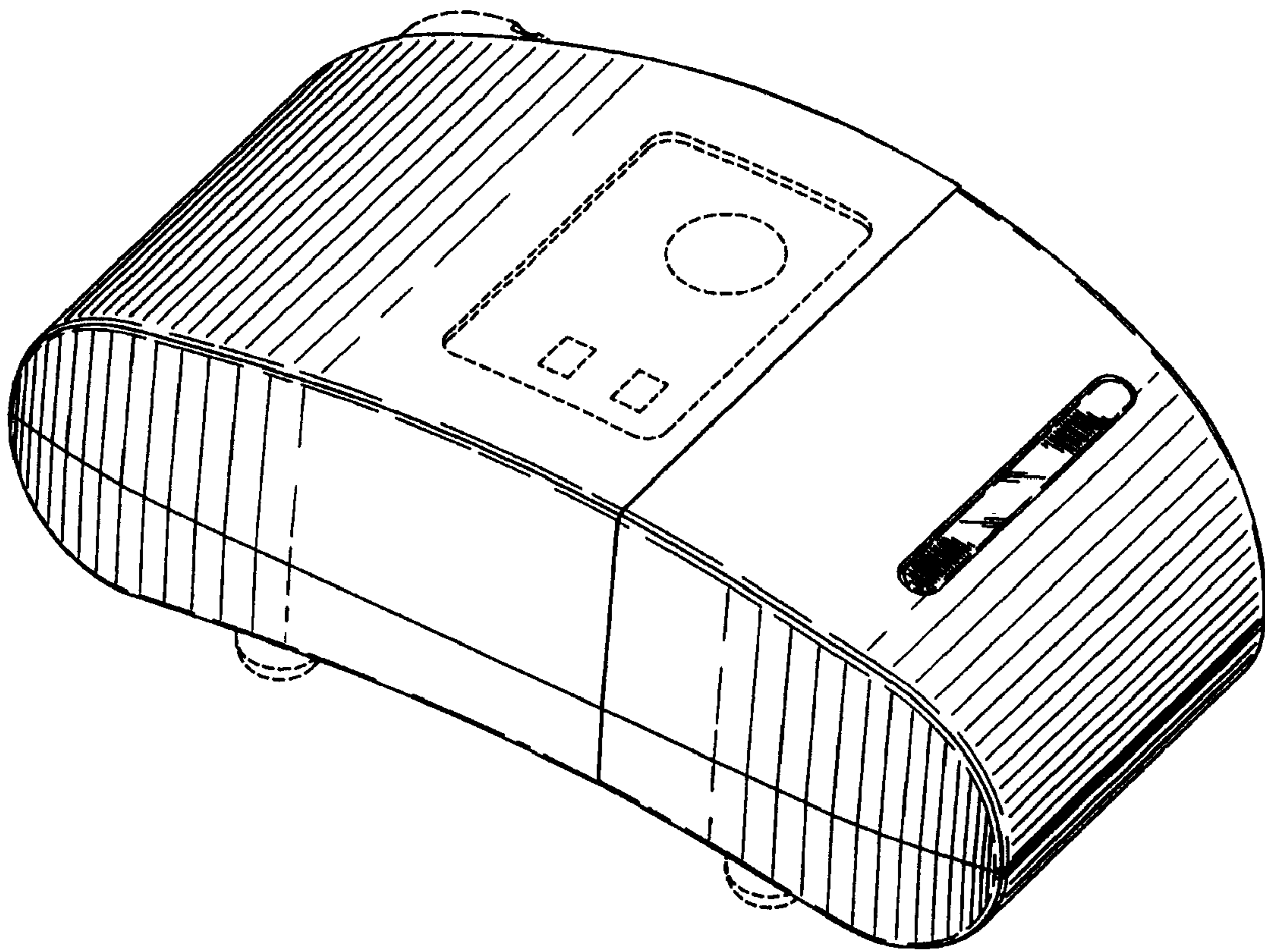


FIG. 1

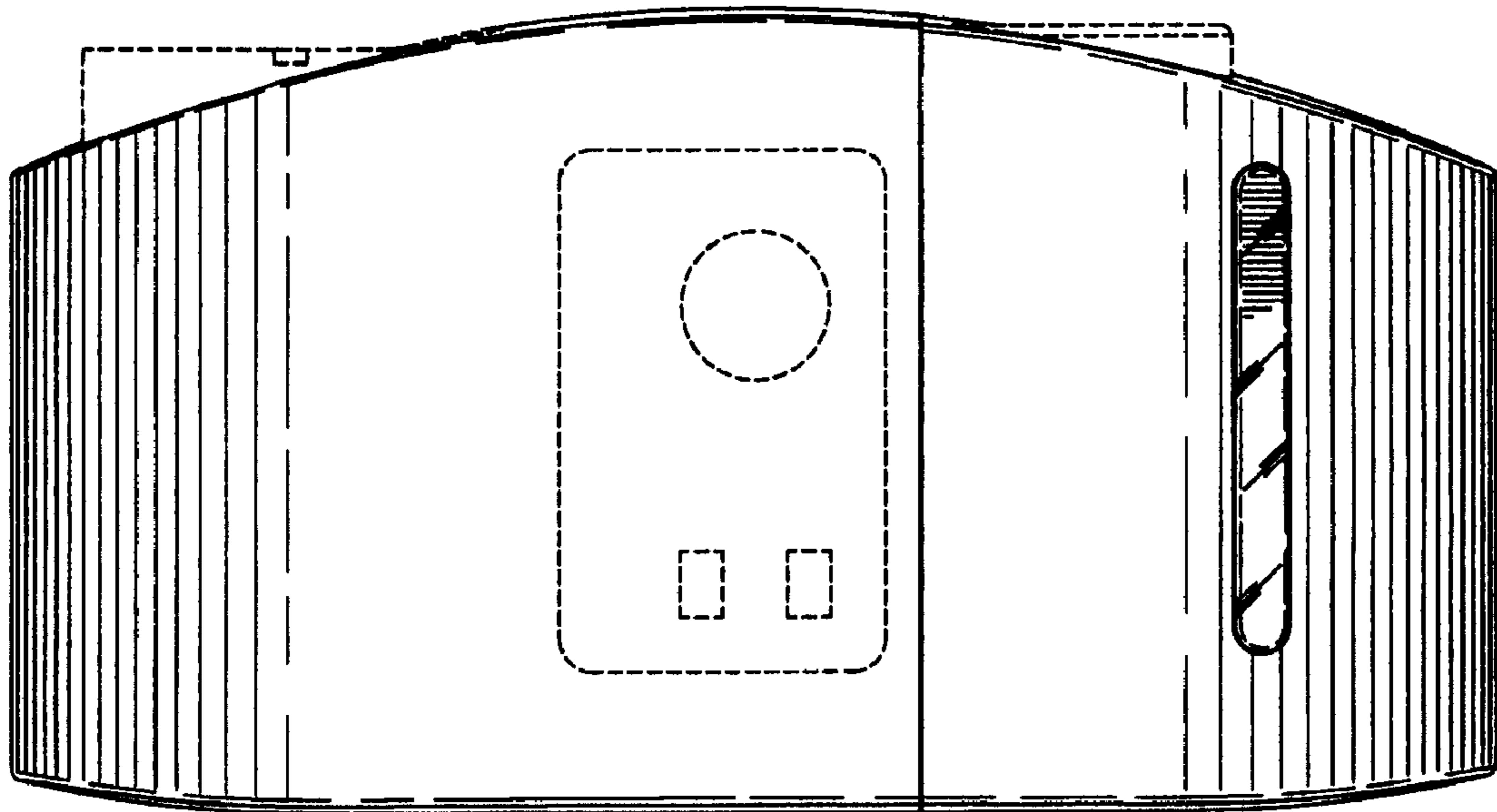


FIG. 2

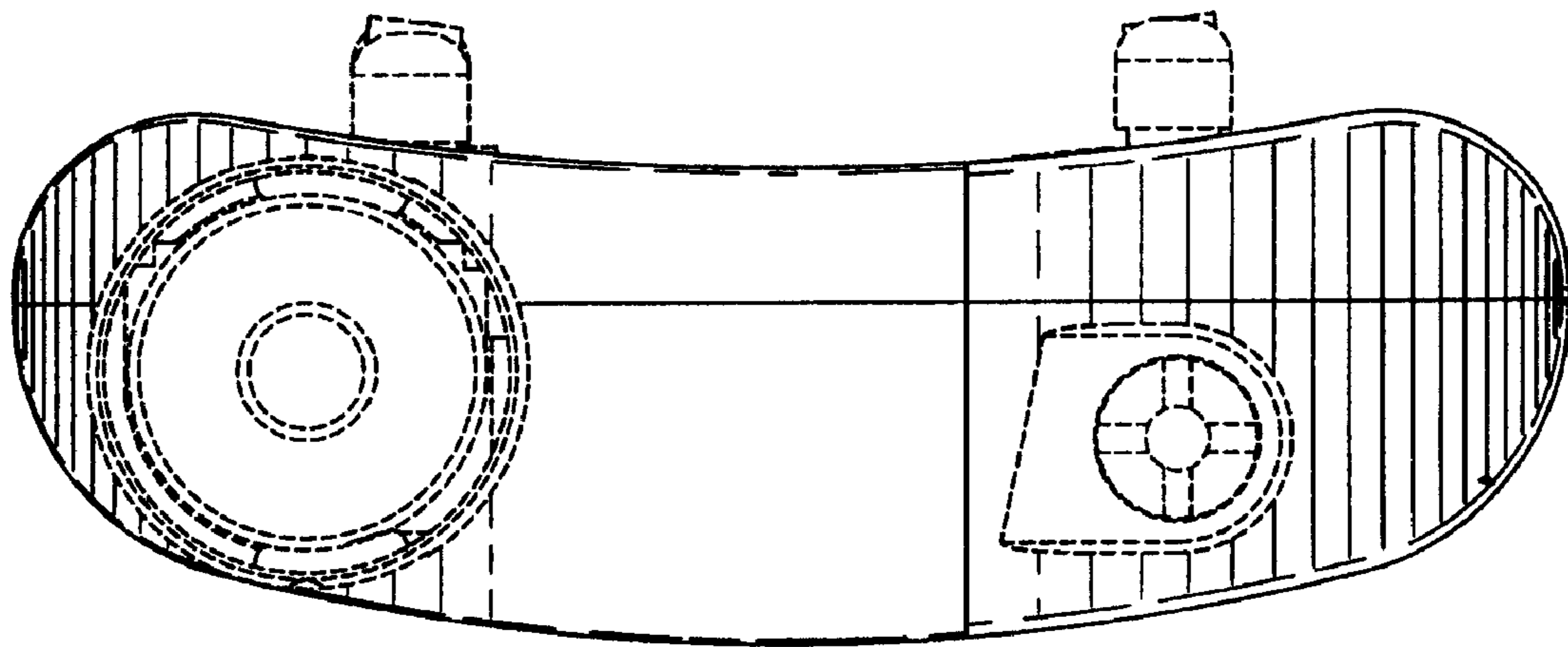


FIG. 3

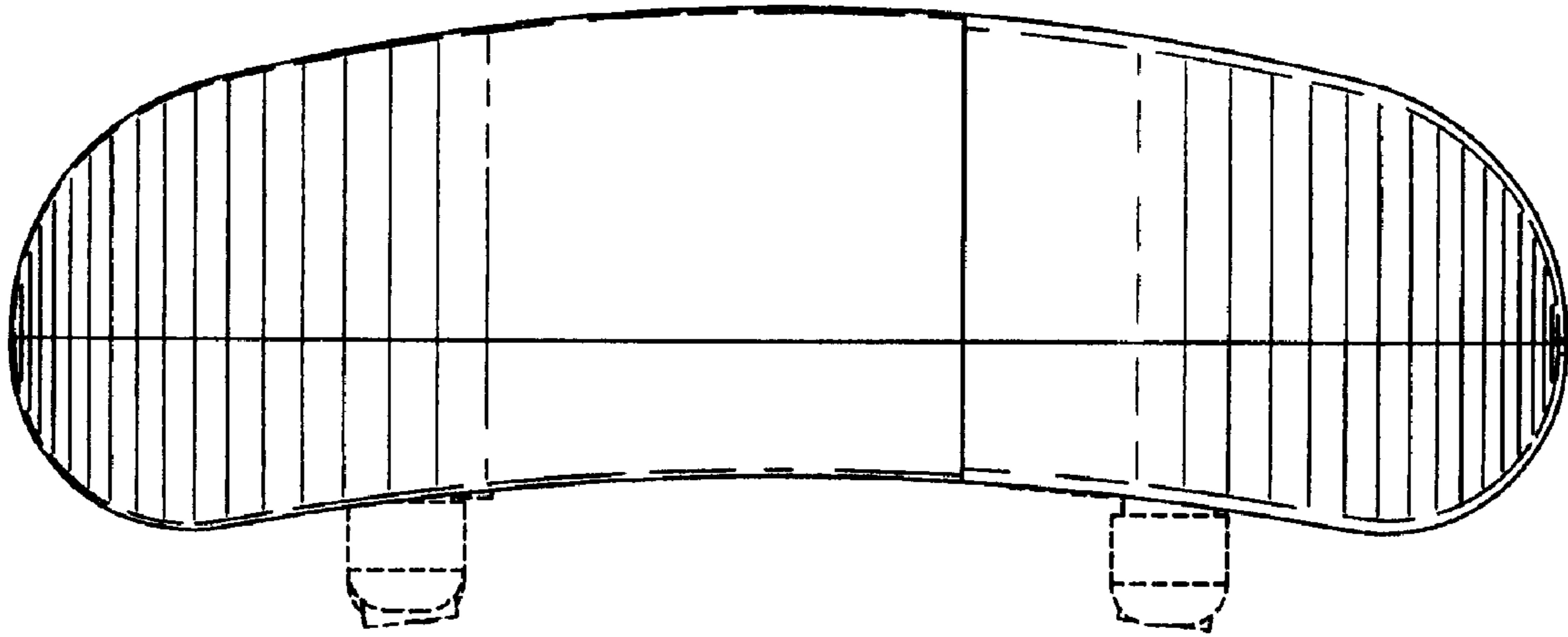


FIG. 4

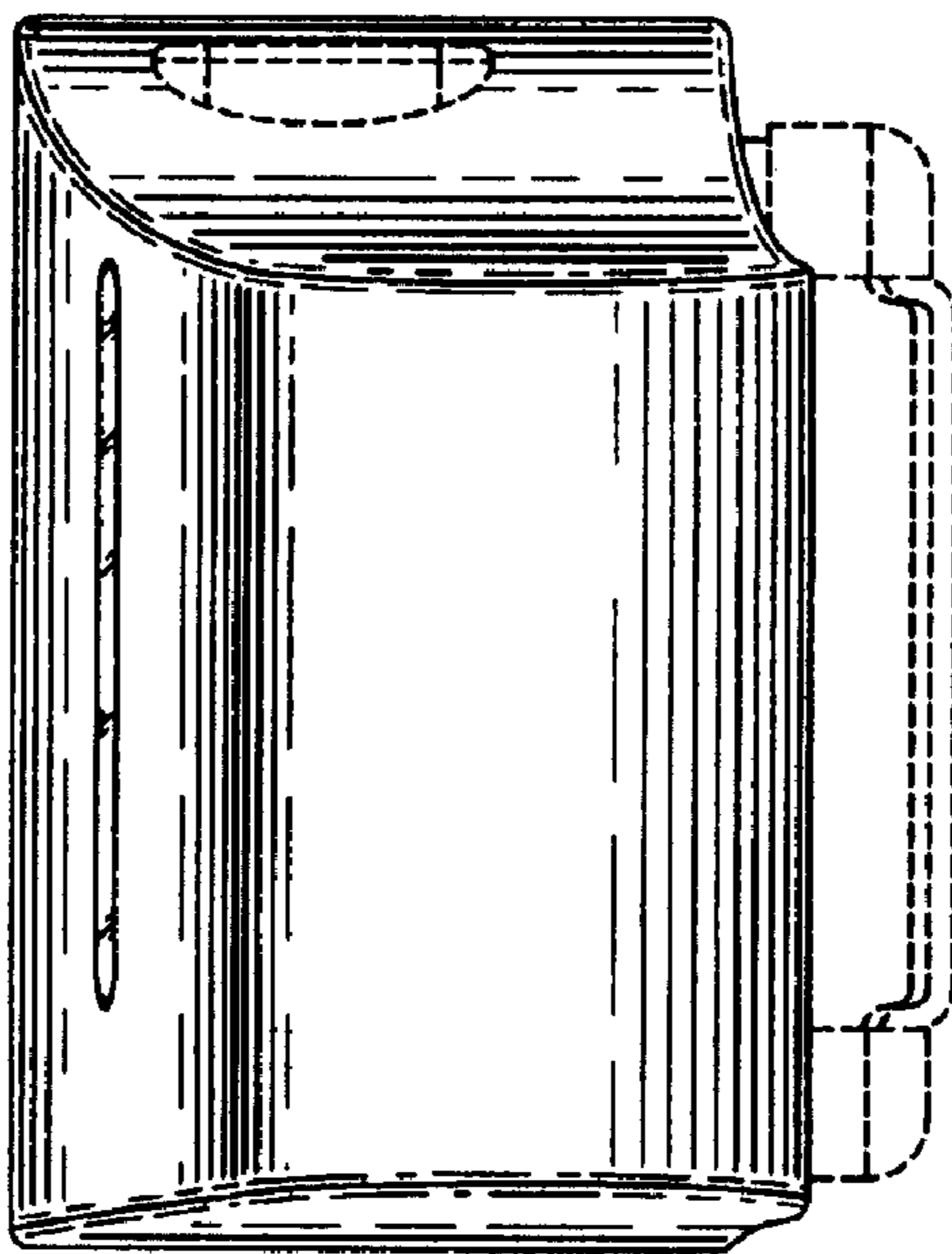
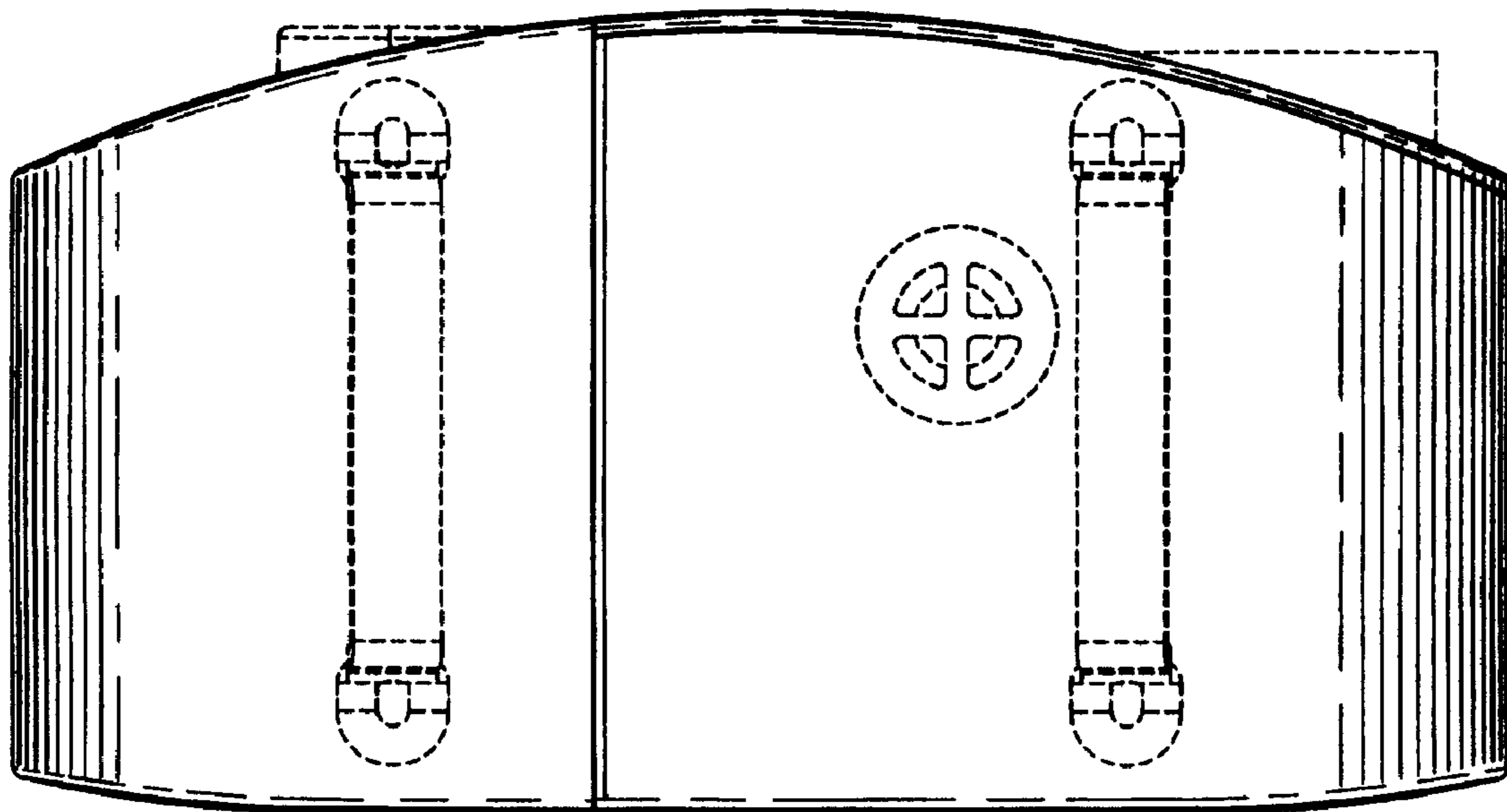


FIG. 5



TSB