



US00D555295S

(12) **United States Design Patent**
Donegan et al.

(10) **Patent No.:** **US D555,295 S**

(45) **Date of Patent:** **** Nov. 13, 2007**

(54) **LIQUID RESERVOIR AND DISPENSER**

D382,376 S * 8/1997 Bescherer D30/124
6,877,459 B2 * 4/2005 Ruff 119/433

(75) Inventors: **Robert W. Donegan**, Highlands Ranch,
CO (US); **Bryan Krueger**, Denver, CO
(US)

* cited by examiner

Primary Examiner—M. H. Tung

Assistant Examiner—Susan Moon Lee

(74) *Attorney, Agent, or Firm*—Jacobson Holman PLLC

(73) Assignee: **Woodstream Corporation**, Lititz, PA
(US)

(**) Term: **14 Years**

(57) **CLAIM**

(21) Appl. No.: **29/238,446**

We claim the ornamental design for a liquid reservoir and dispenser, as shown and described.

(22) Filed: **Sep. 16, 2005**

DESCRIPTION

(51) **LOC (8) Cl.** **30-07**

(52) **U.S. Cl.** **D30/121**

(58) **Field of Classification Search** D30/121,
D30/124-28, 110, 115, 117, 119; 119/51.01,
119/57.8, 53, 428-29, 433-35, 469

See application file for complete search history.

FIG. 1 is a perspective view of the liquid reservoir and dispenser showing our new design;

FIG. 2 is a front view in elevation thereof, the back view being a mirror image;

FIG. 3 is a left side view in elevation thereof, the right side view being a mirror image; and

FIG. 4 is a top plan view thereof; and,

FIG. 5 is a bottom plan view thereof.

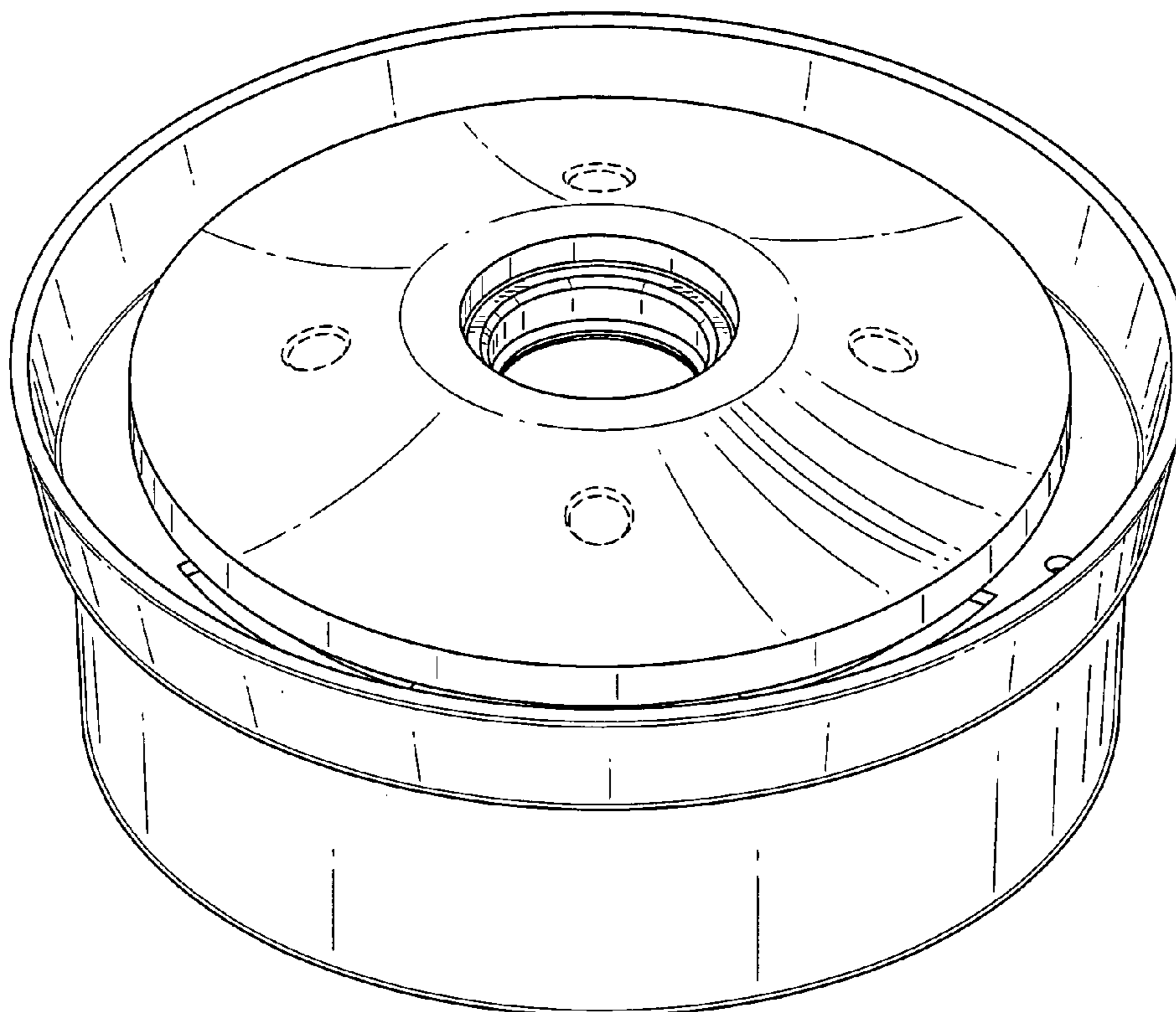
The broken lines shown in FIGS. 1 through 4 are for illustrative purposes only and form no part of the claimed design.

(56) **References Cited**

U.S. PATENT DOCUMENTS

3,076,435	A *	2/1963	Seymour	119/77
4,441,459	A *	4/1984	Giordano	119/72
5,062,390	A *	11/1991	Bescherer et al.	119/72
5,269,258	A *	12/1993	Brown	119/57.9
5,303,674	A *	4/1994	Hyde, Jr.	119/77
5,493,999	A *	2/1996	Schenck	119/72

1 Claim, 4 Drawing Sheets



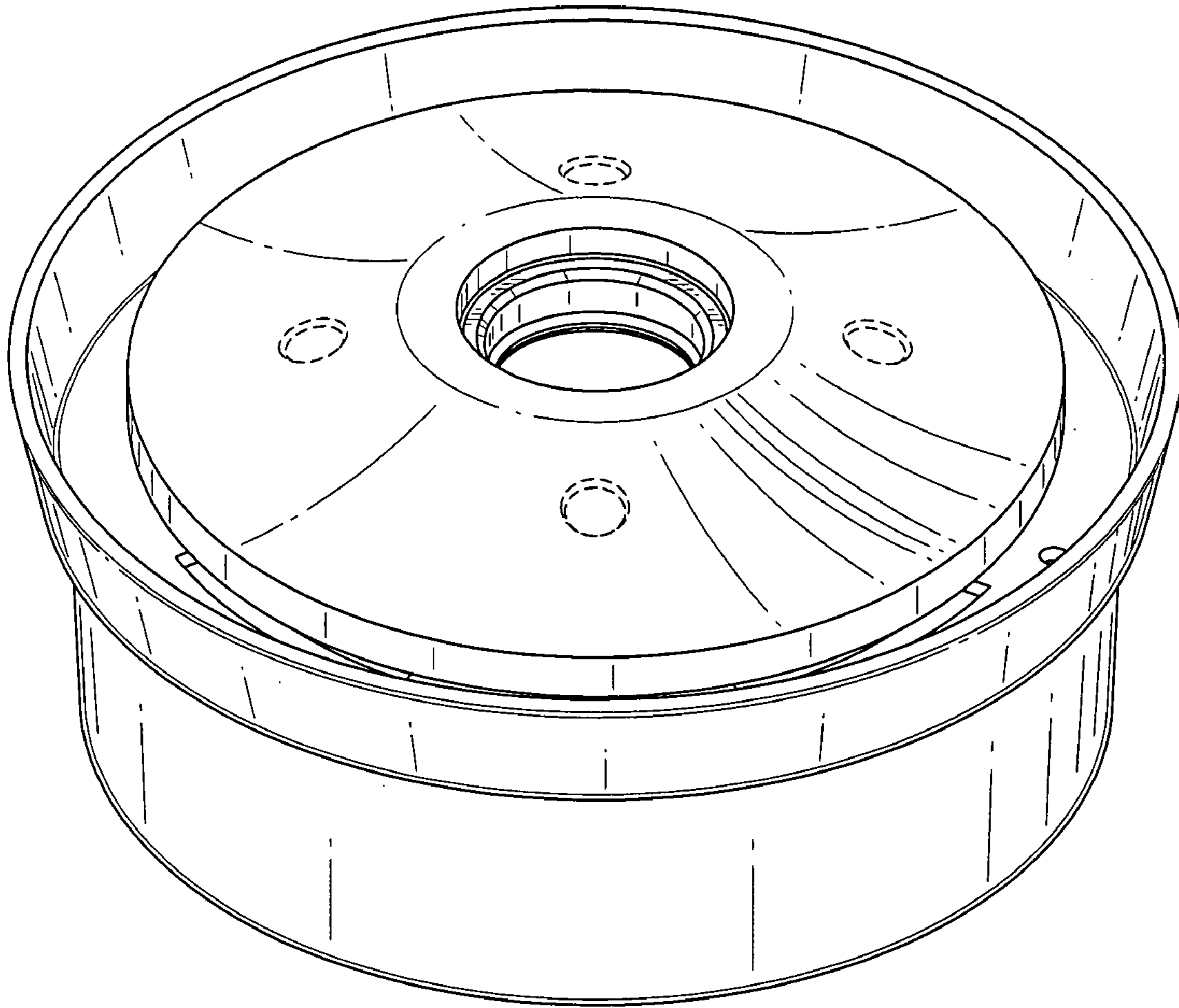


FIG. 1

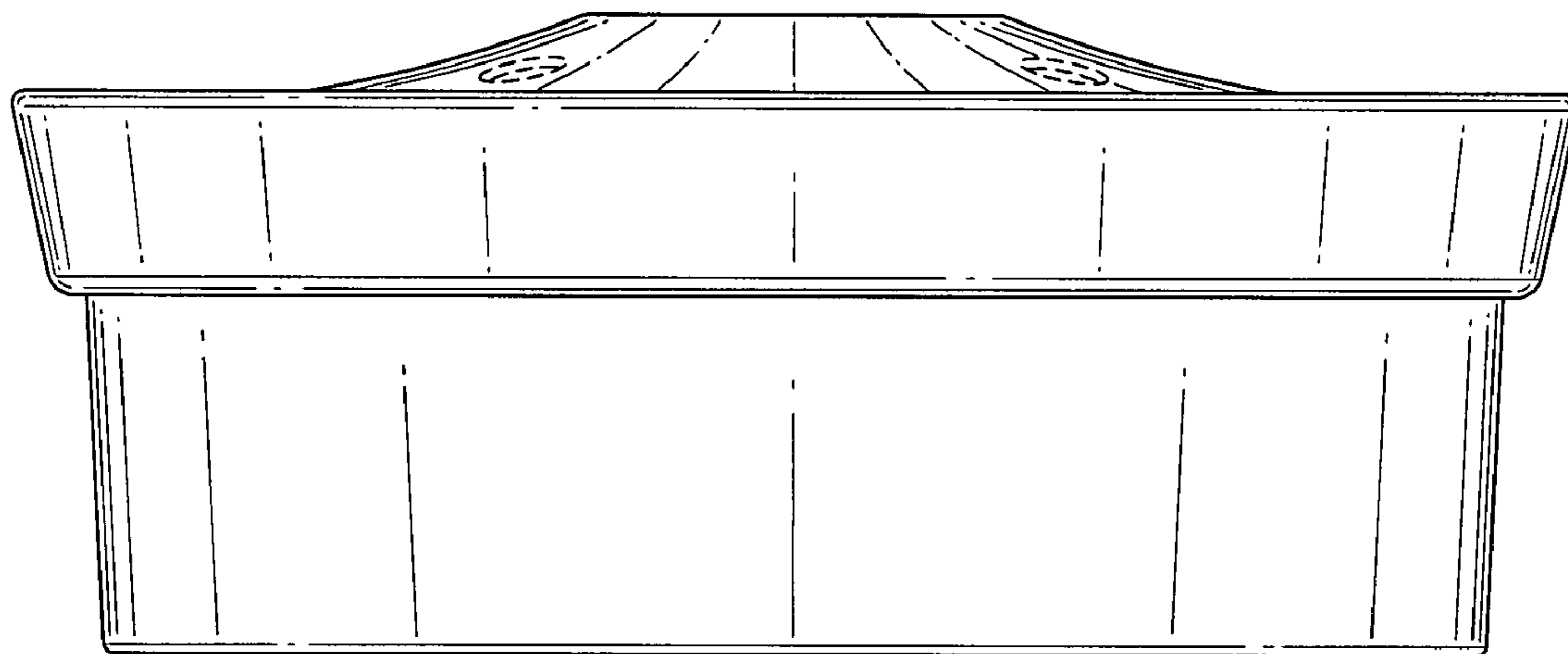


FIG. 2

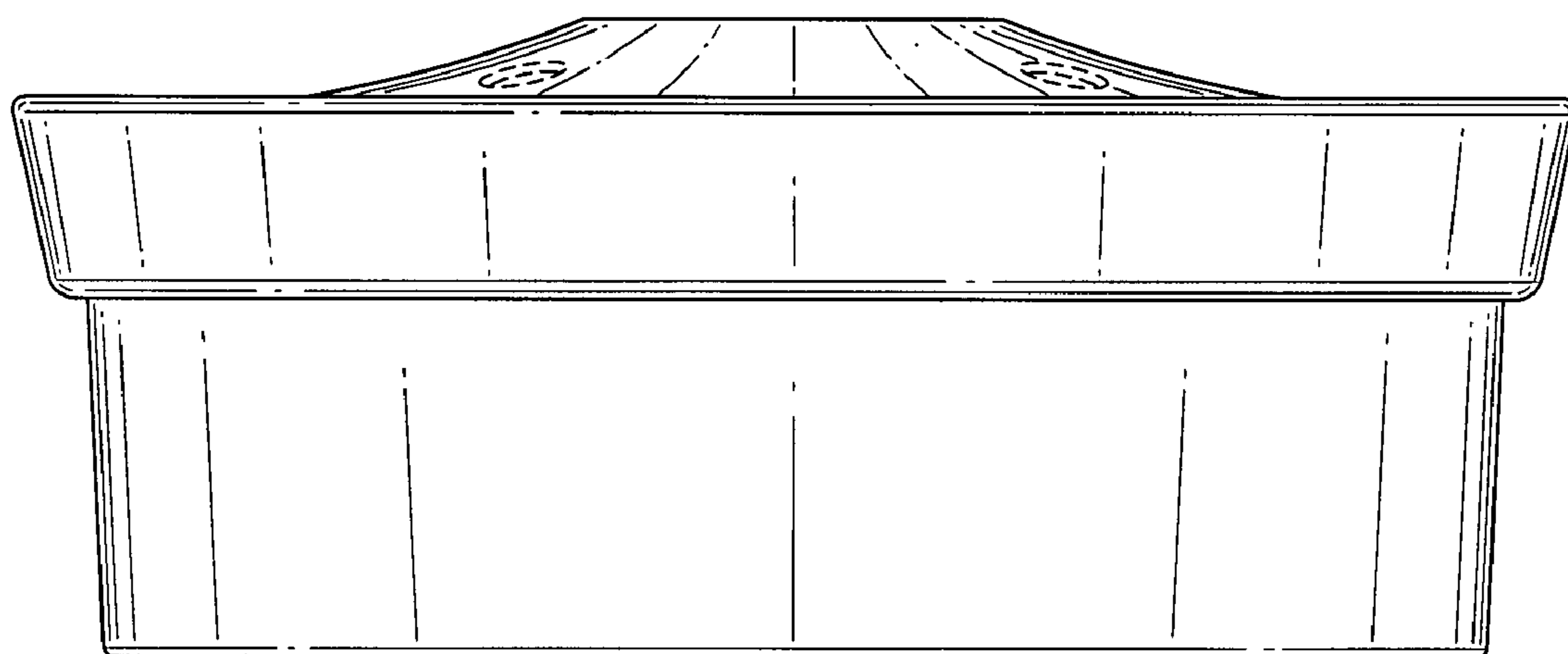


FIG. 3

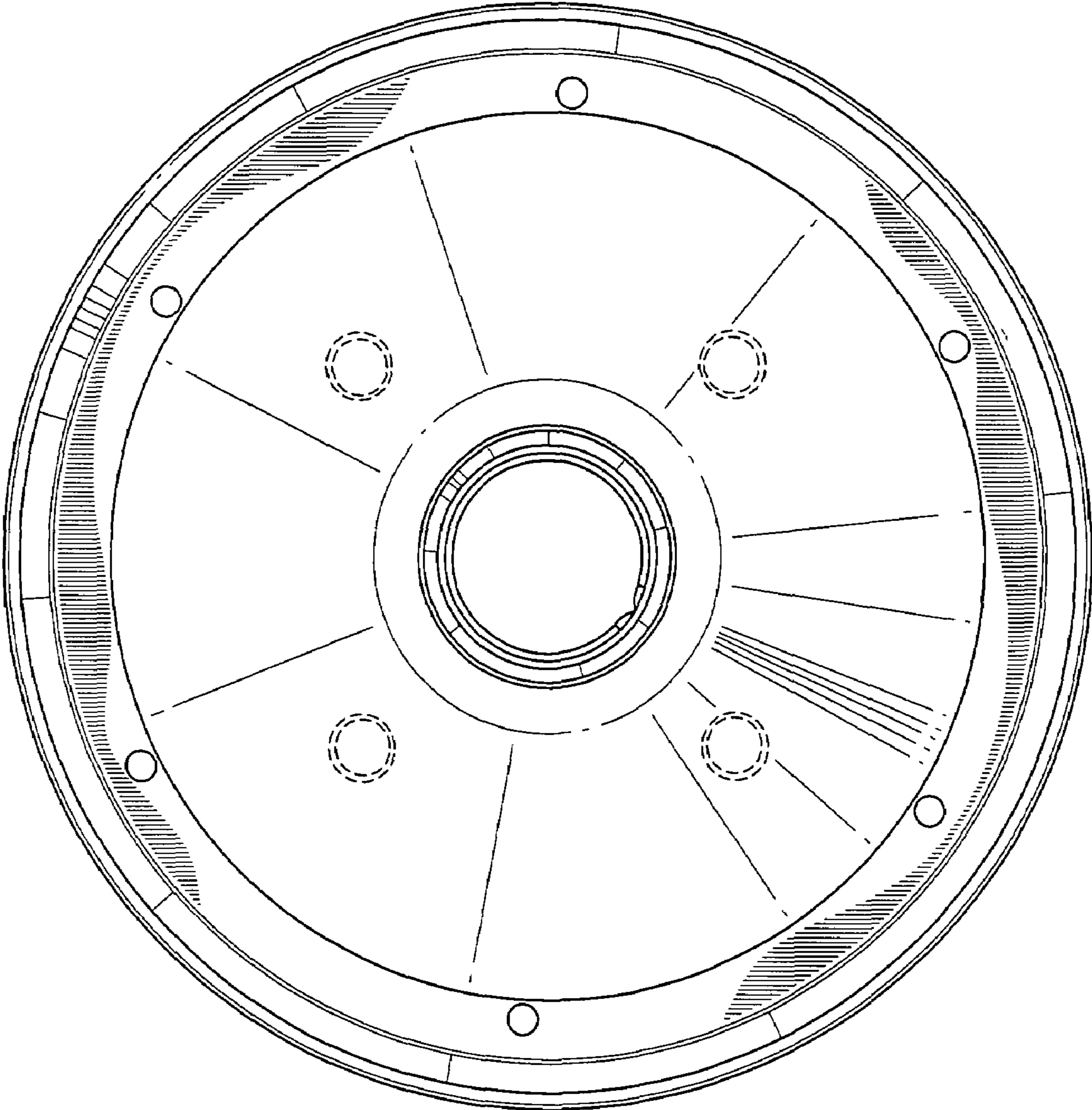


FIG. 4

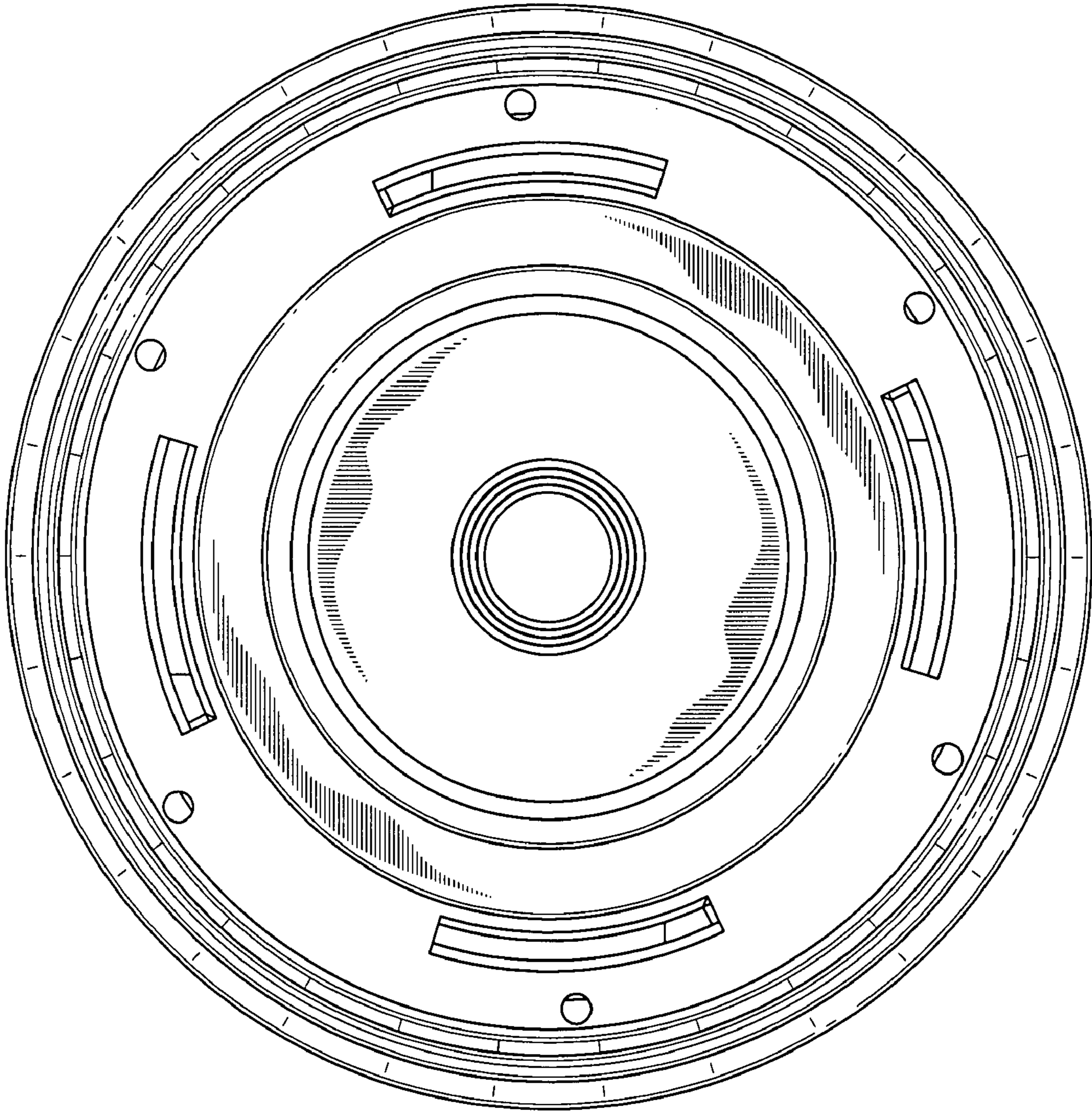


FIG. 5