

US00D555294S

(12) **United States Design Patent**
Northrop

(10) **Patent No.:** **US D555,294 S**

(45) **Date of Patent:** **** Nov. 13, 2007**

(54) **DOG HOUSE**

(75) Inventor: **Melaney Northrop**, Arlington, TX (US)

(73) Assignee: **Doskocil Manufacturing Company, Inc.**, Arlington, TX (US)

(**) Term: **14 Years**

(21) Appl. No.: **29/256,272**

(22) Filed: **Mar. 17, 2006**

(51) **LOC (8) Cl.** **30-02**

(52) **U.S. Cl.** **D30/108**

(58) **Field of Classification Search** D30/108,
D30/110-112, 117-119, 161; 119/28.5, 161-170,
119/482, 496-499, 502, 512-513, 712
See application file for complete search history.

(56) **References Cited**

U.S. PATENT DOCUMENTS

D228,558 S *	10/1973	Brickel	D30/161
4,792,082 A *	12/1988	Williamson	119/168
4,986,217 A *	1/1991	Robinson et al.	119/168
D349,980 S *	8/1994	Northrop et al.	D30/108
D366,541 S *	1/1996	Bradburn et al.	D30/112
D367,732 S *	3/1996	Murphy et al.	D30/108
5,575,239 A *	11/1996	Bradburn et al.	119/500
5,582,135 A *	12/1996	Bellows	119/168

6,606,965 B2 *	8/2003	Saxe et al.	119/482
D485,649 S *	1/2004	Fick	D30/108
D488,266 S *	4/2004	VanSkiver	D30/108
6,868,803 B1 *	3/2005	Little	119/498
7,025,019 B2 *	4/2006	Axelrod et al.	119/499

* cited by examiner

Primary Examiner—Cathy Anne MacCormac

(74) *Attorney, Agent, or Firm*—Locke, Liddell & Sapp, LLP

(57) **CLAIM**

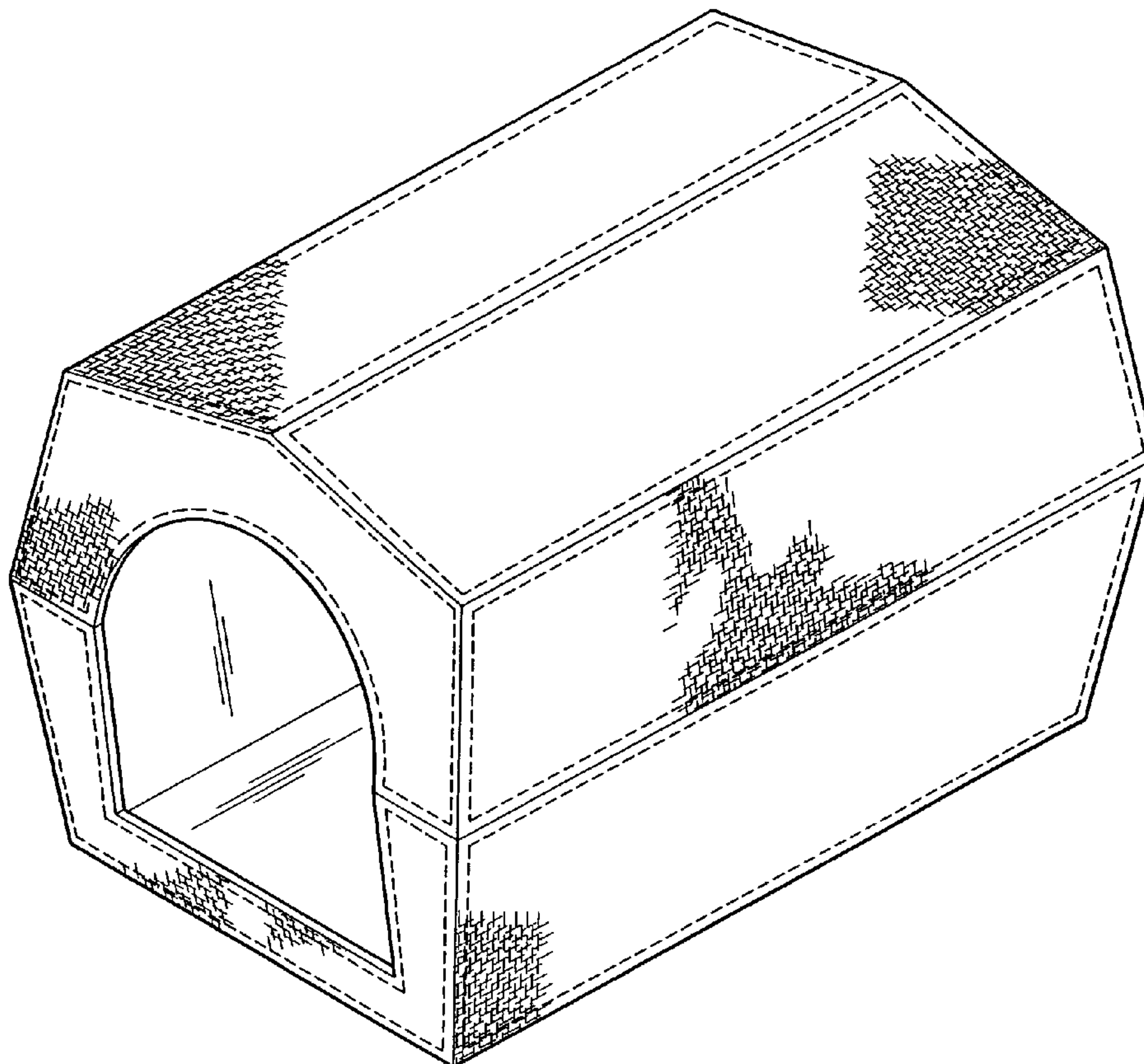
The ornamental design for a dog house, as shown and described.

DESCRIPTION

FIG. 1 is a perspective view of a dog house;
FIG. 2 is a right side elevational view thereof, the left side elevational view being a mirror image thereof;
FIG. 3 is a top plan view thereof;
FIG. 4 is a front elevational view thereof; and,
FIG. 5 is a rear elevational view thereof.

The dashed lines shown in the drawings represent stitching and form part of the claimed design. The shading indicates a leather-like surface treatment.

1 Claim, 2 Drawing Sheets



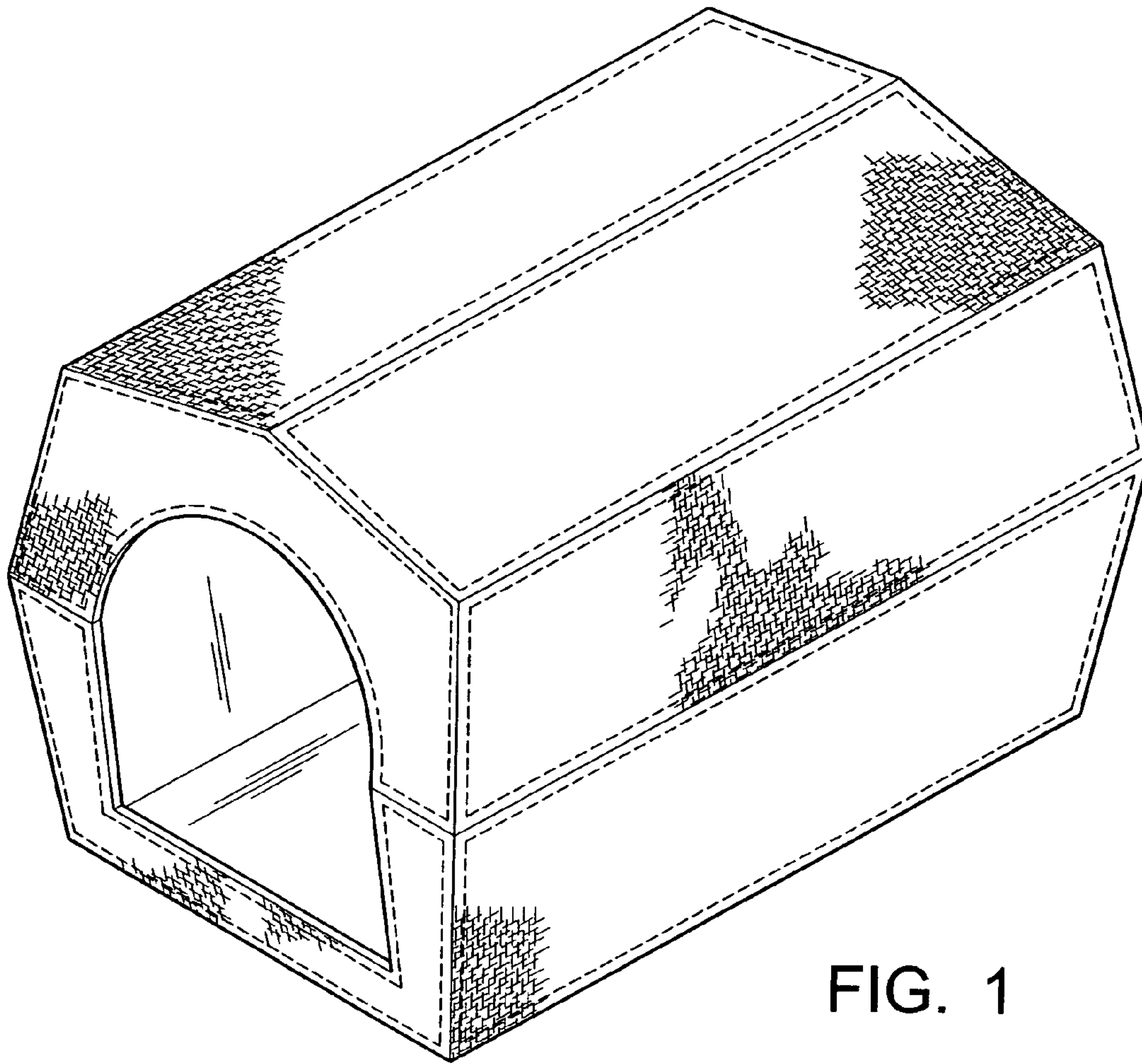


FIG. 1

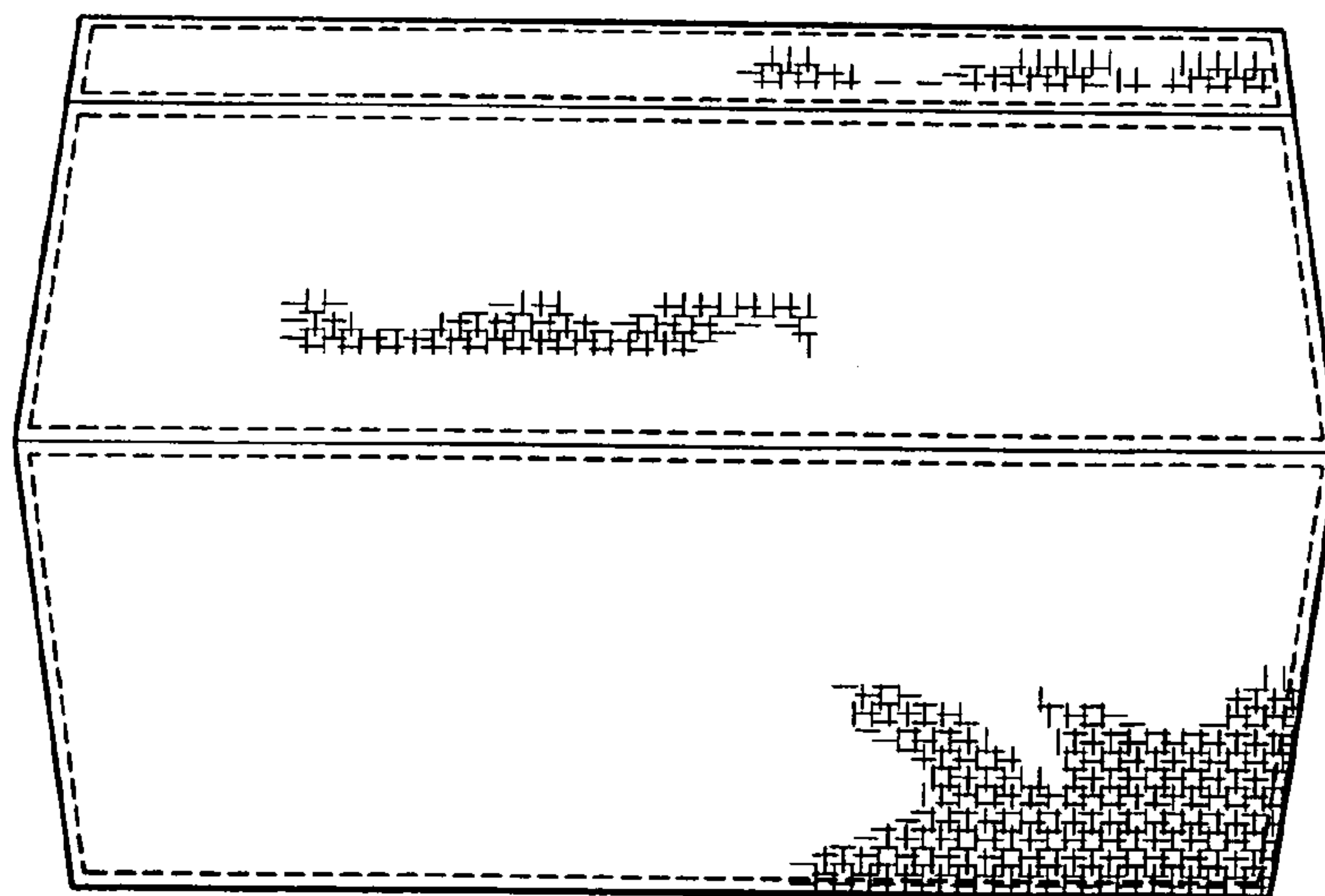


FIG. 2

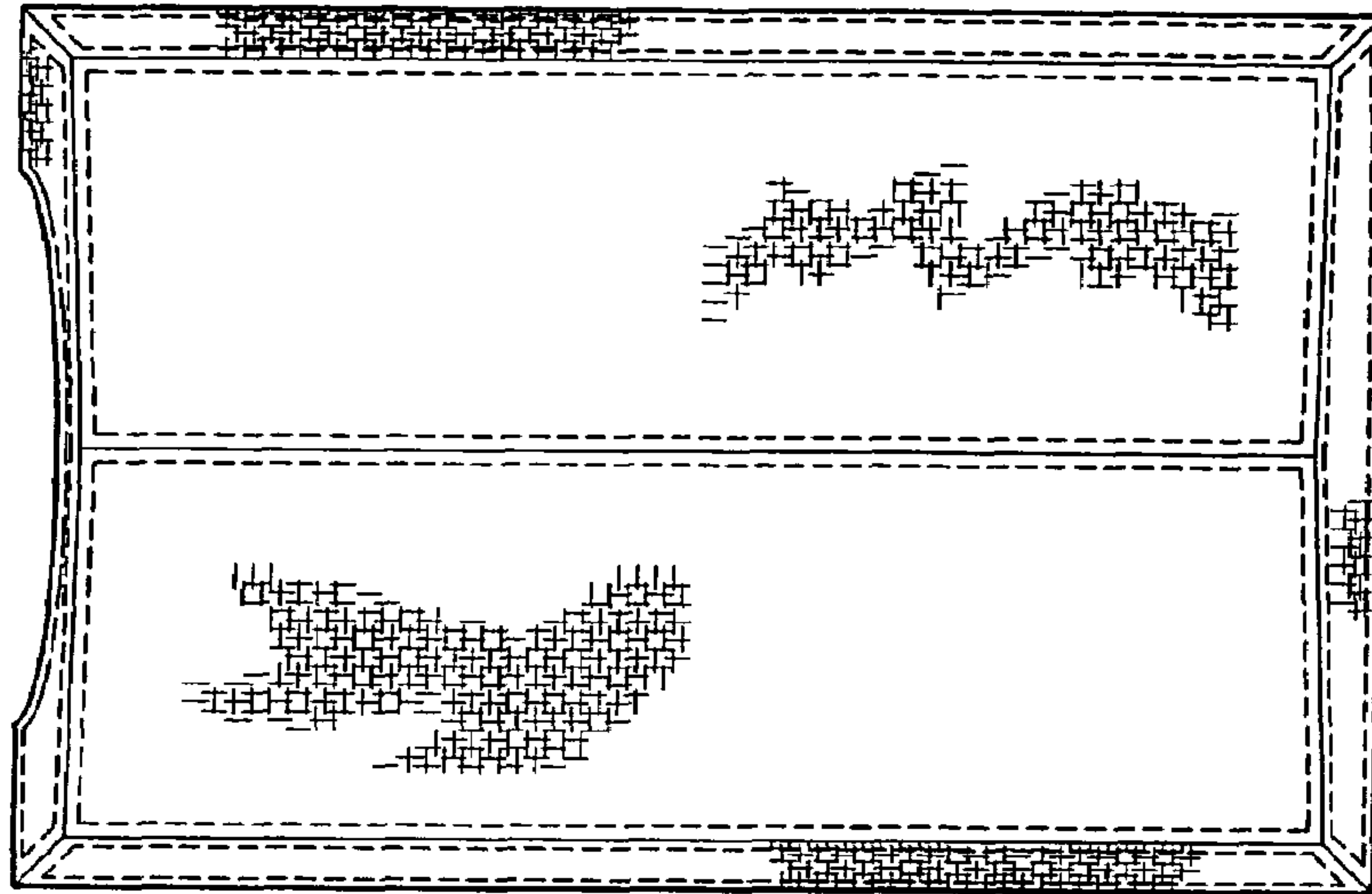


FIG. 3

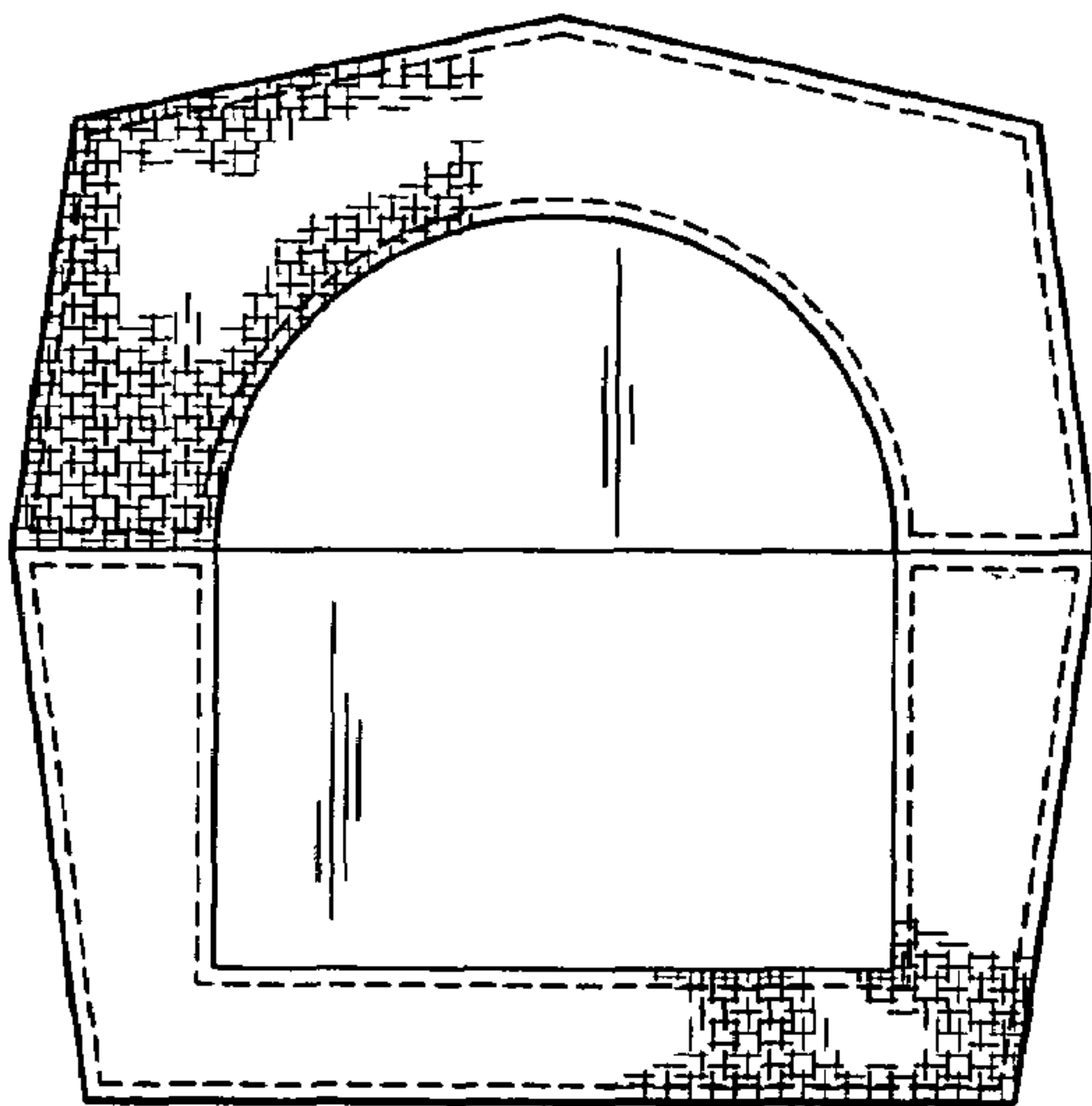


FIG. 4

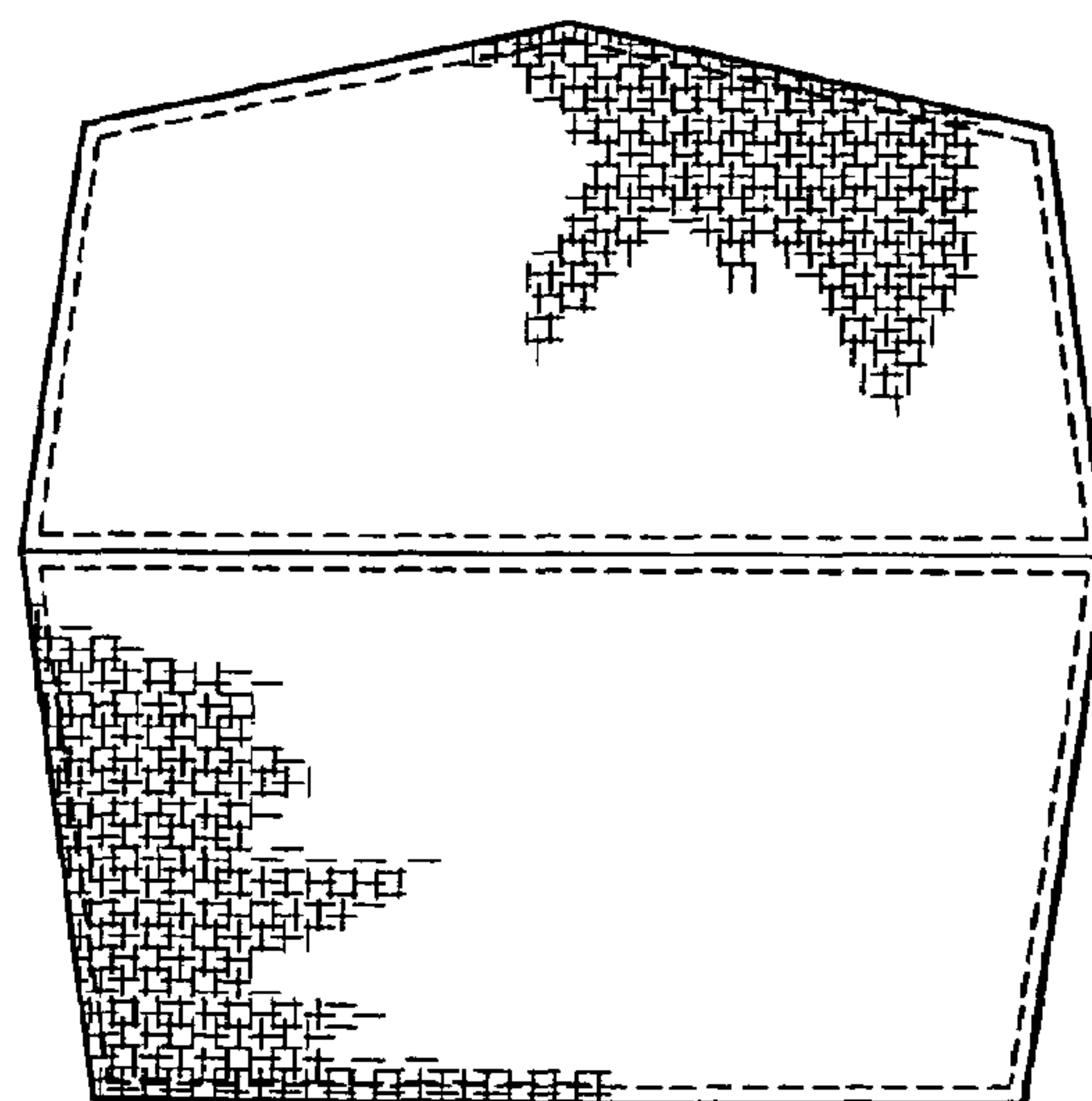


FIG. 5