

US00D555293S

(12) **United States Design Patent** (10) **Patent No.:** **US D555,293 S**
Gourkow (45) **Date of Patent:** **** Nov. 13, 2007**

(54) **PET HOUSE AND CARRIER**
(75) Inventor: **Nadine Gourkow**, Vancouver (CA)
(73) Assignee: **The British Columbia Society for the Prevention of Cruelty to Animals**, Vancouver, British Columbia (CA)

6,758,167 B1 * 7/2004 Edelinski 119/498
6,945,193 B1 * 9/2005 Tanner et al. 119/165
2005/0072364 A1 * 4/2005 Kerrigan 119/28.5
2005/0103277 A1 * 5/2005 Helou 119/165
2006/0102092 A1 * 5/2006 Cortez 119/498
2006/0278173 A1 * 12/2006 Kamijo 119/496

(**) Term: **14 Years**
(21) Appl. No.: **29/253,329**
(22) Filed: **Feb. 6, 2006**

* cited by examiner
Primary Examiner—Louis S. Zarfaz
Assistant Examiner—Anna K Dworzecka
(74) *Attorney, Agent, or Firm*—Sughrue Mion, PLLC

(30) **Foreign Application Priority Data**
Aug. 18, 2005 (CA) 112249

(57) **CLAIM**
The ornamental design for a pet house and carrier, as shown and described.

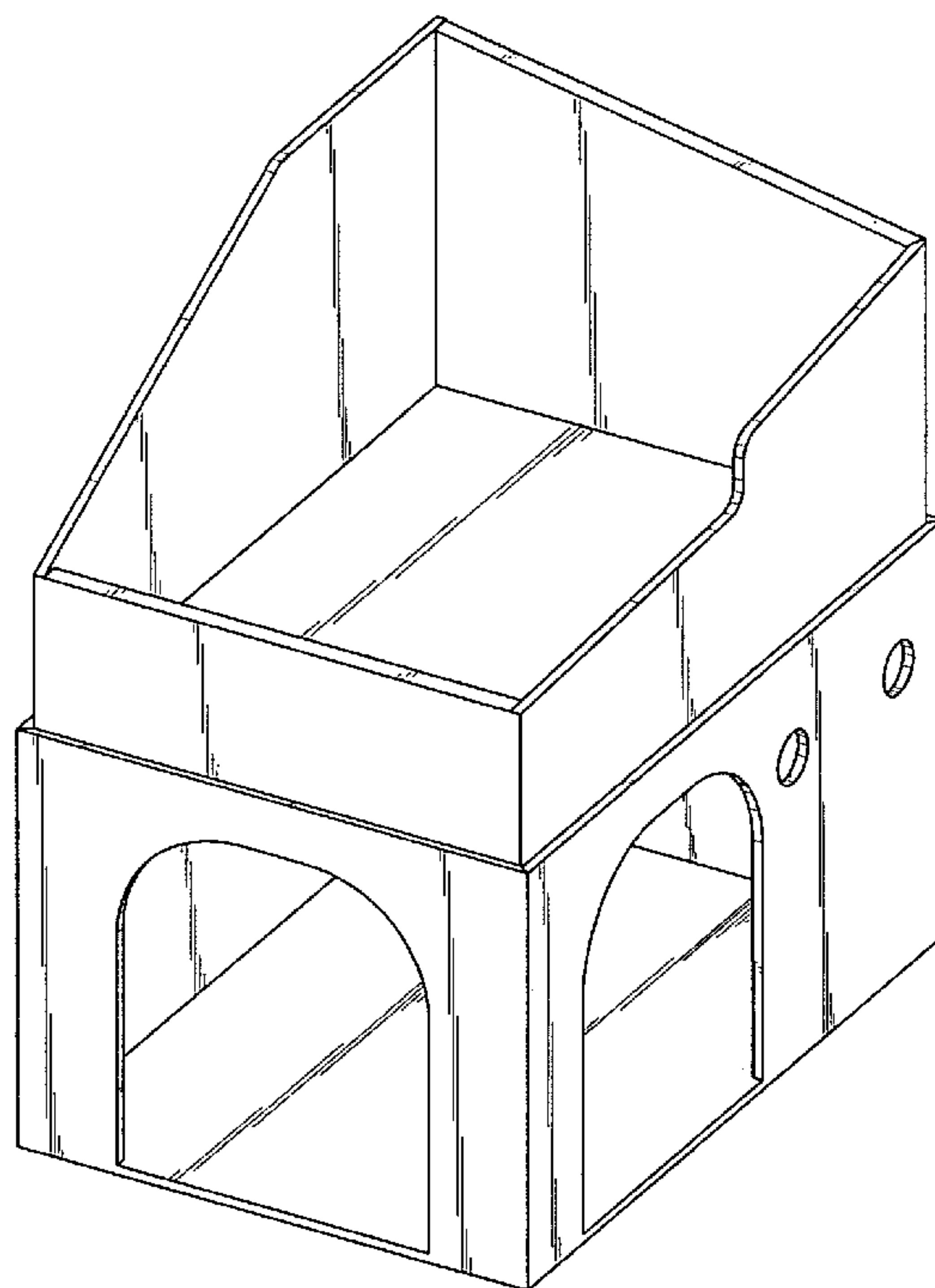
(51) **LOC (8) Cl.** **30-02**
(52) **U.S. Cl.** **D30/108**
(58) **Field of Classification Search** D30/108–109, D30/158–161; 119/165, 168, 170, 161, 419, 119/498, 28.5, 452, 453, 462, 472, 473, 482, 119/484, 485, 499, 706, 458, 479, 501; 229/101; 19/497; 446/108–110, 476, 478
See application file for complete search history.

DESCRIPTION

FIG. 1 is a perspective view of the top, front, and right side of a pet house and carrier showing my new design;
FIG. 2 is a front elevational view thereof;
FIG. 3 is a rear elevational view thereof;
FIG. 4 is a left side elevational view thereof;
FIG. 5 is a right side elevational view thereof;
FIG. 6 is a top plan view thereof;
FIG. 7 is a bottom plan view thereof;
FIG. 8 is a reference perspective view thereof showing the perch insert inside in a carrying mode; and,
FIG. 9 is an exploded perspective view of FIG. 1 showing the handles in a closed position for the ease of illustration.

(56) **References Cited**
U.S. PATENT DOCUMENTS
D228,537 S * 10/1973 Jennings D6/382
5,558,041 A * 9/1996 Fairall et al. 119/165
D383,262 S * 9/1997 Benwell D30/161
5,769,028 A * 6/1998 Deckys 119/496
D396,734 S * 8/1998 Koneke D30/108
5,839,392 A * 11/1998 Pemberton et al. 119/498
6,338,318 B1 * 1/2002 Apichom 119/497

1 Claim, 7 Drawing Sheets



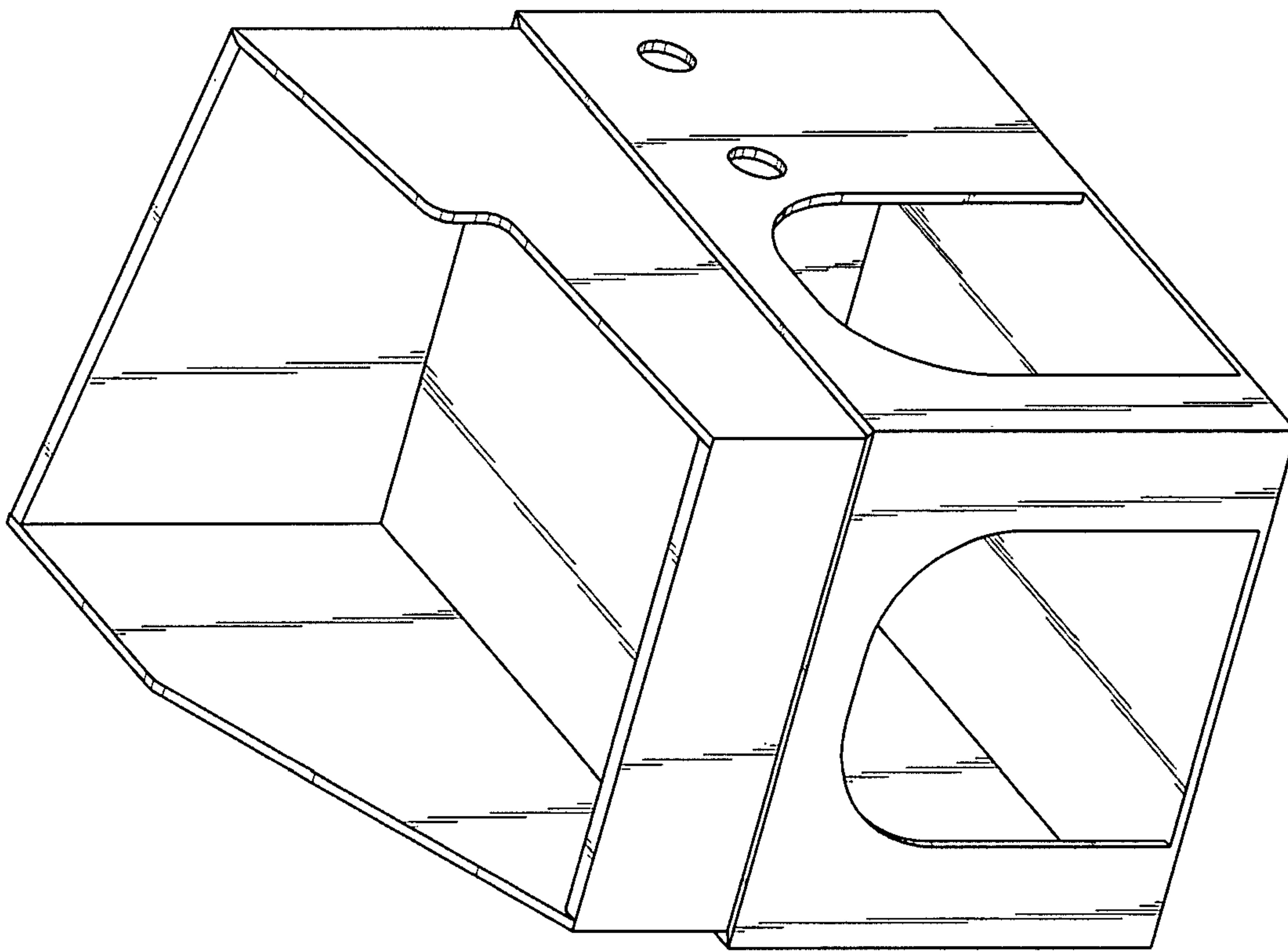


Fig. 1

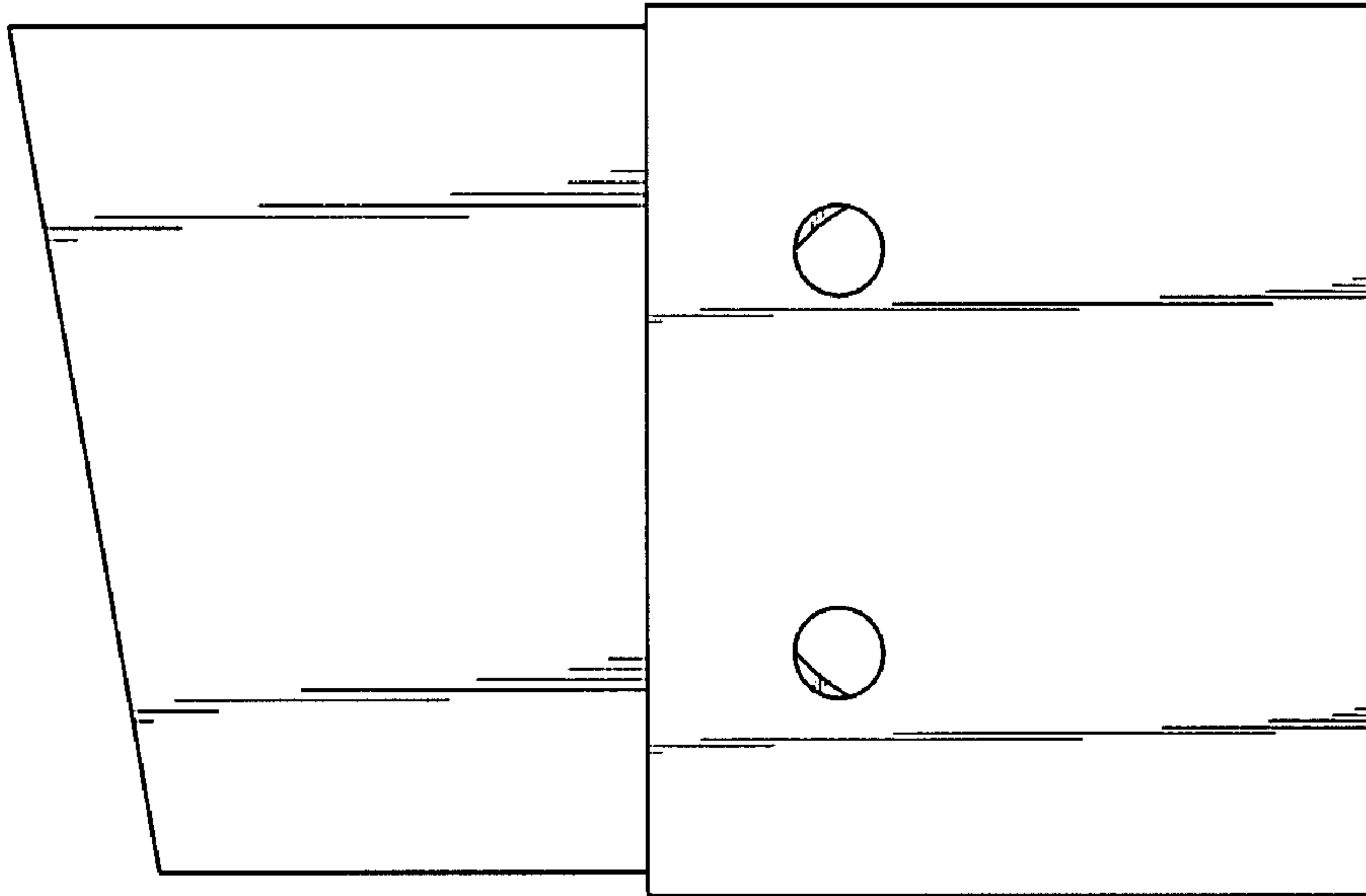


Fig. 3

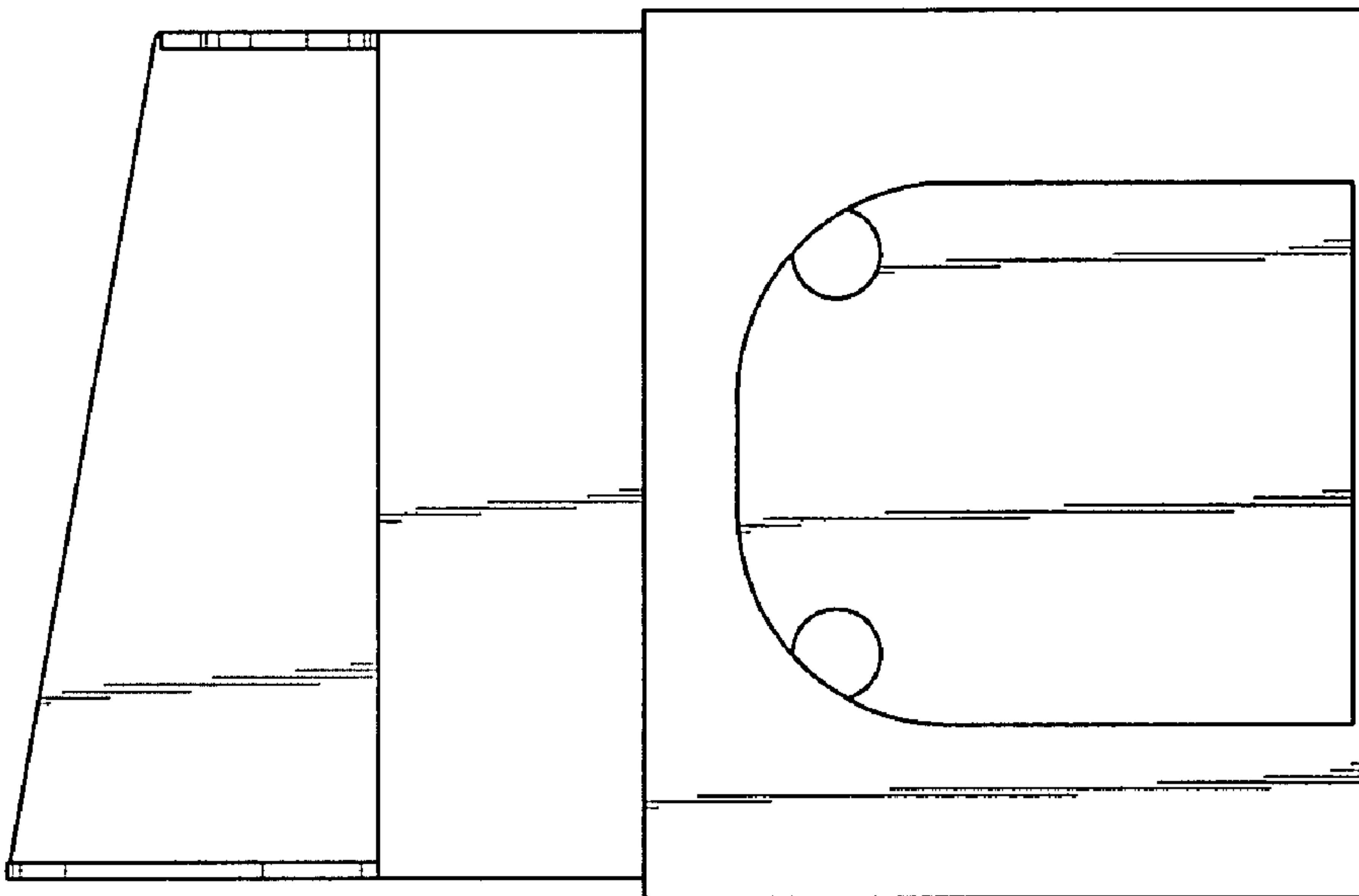


Fig. 2

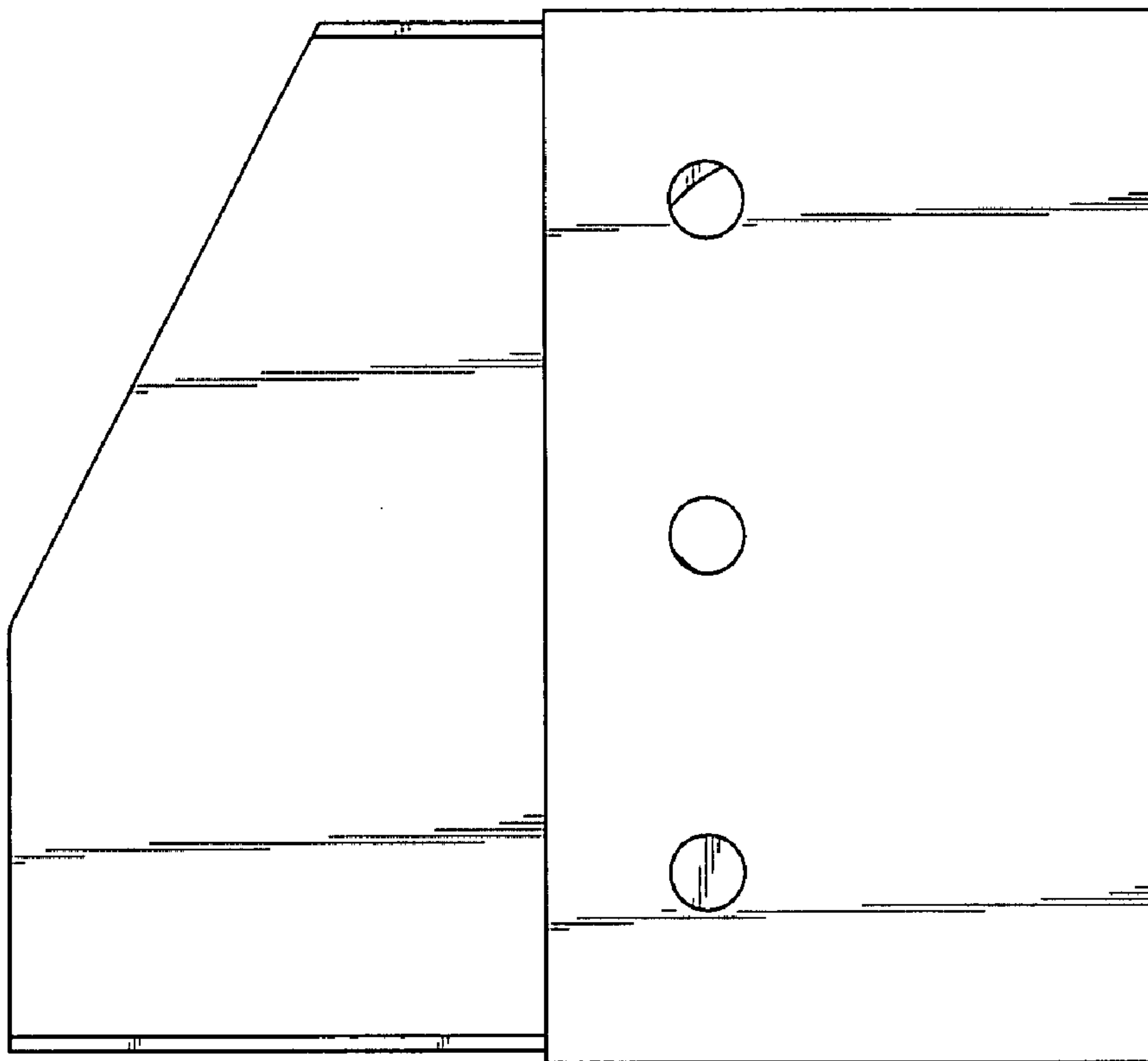


Fig. 4

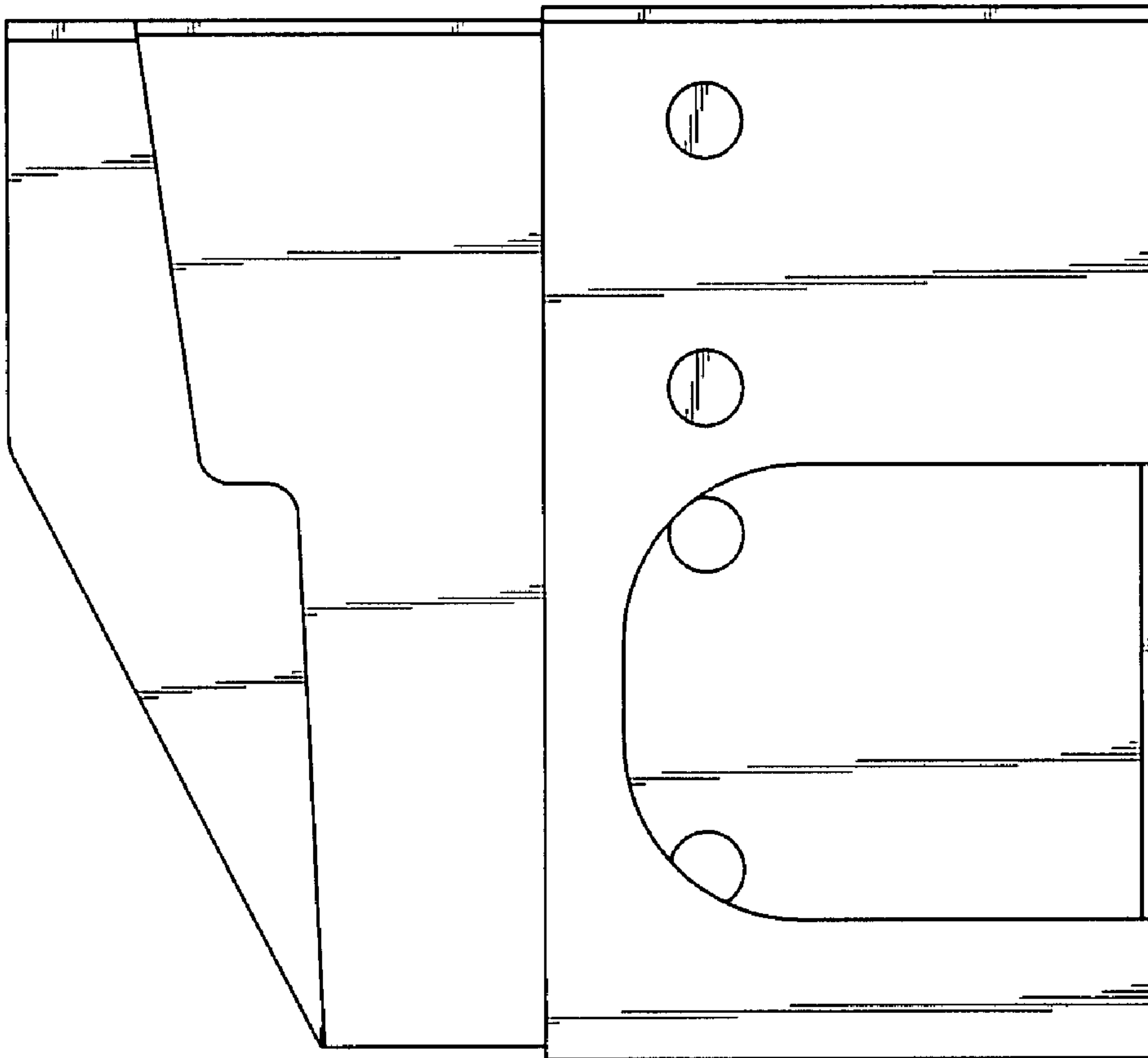


Fig. 5

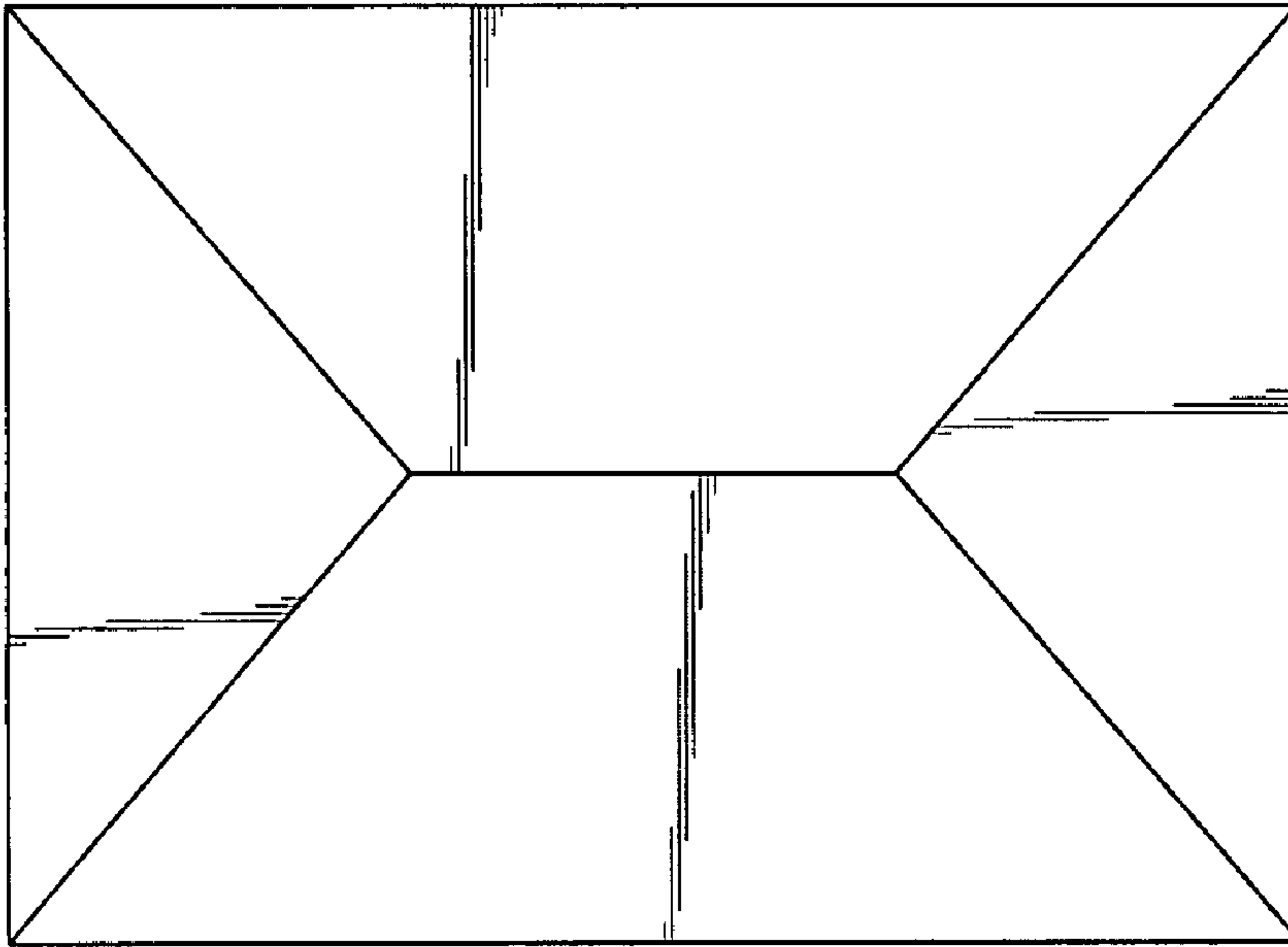


Fig. 7

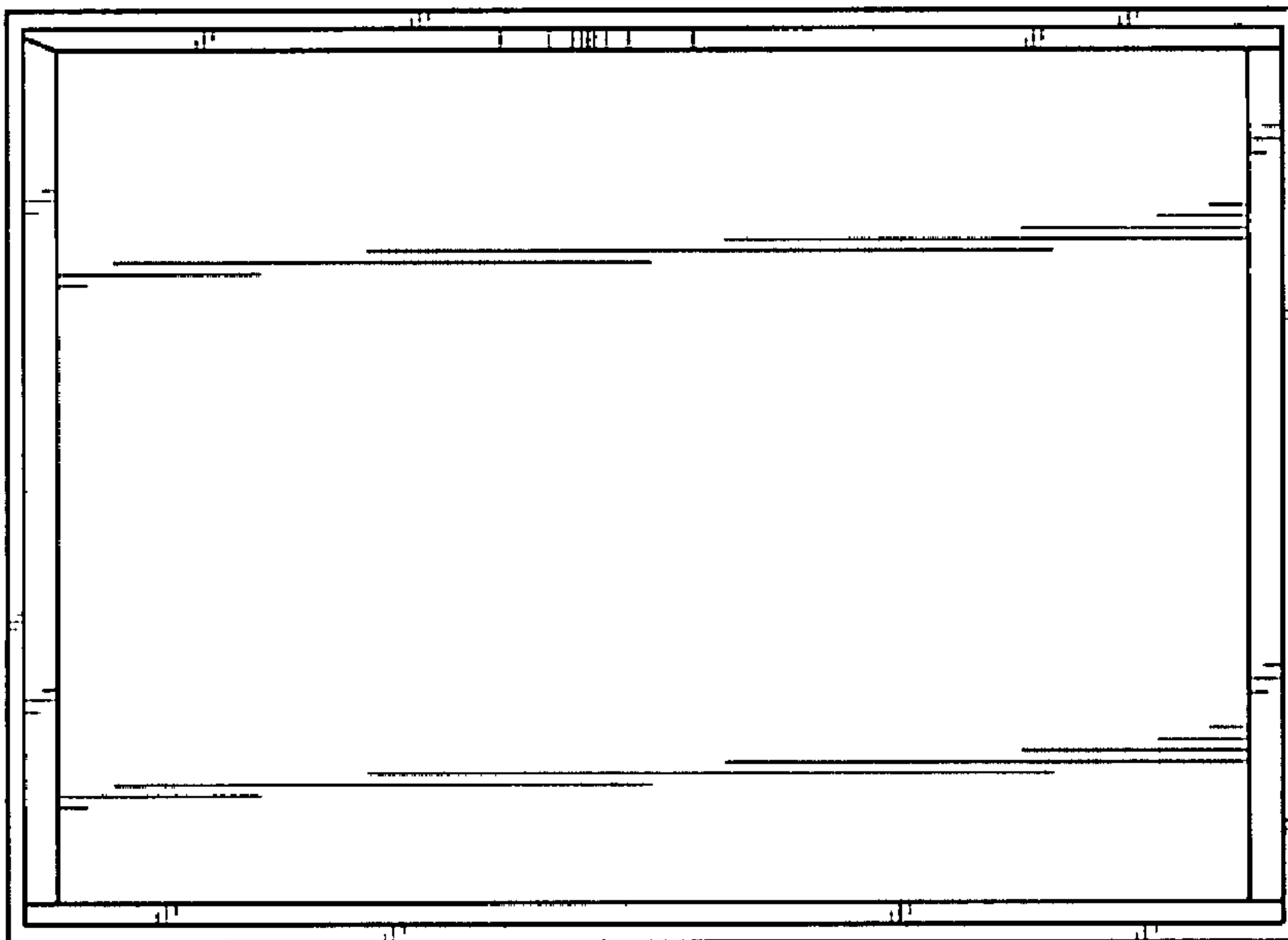


Fig. 6

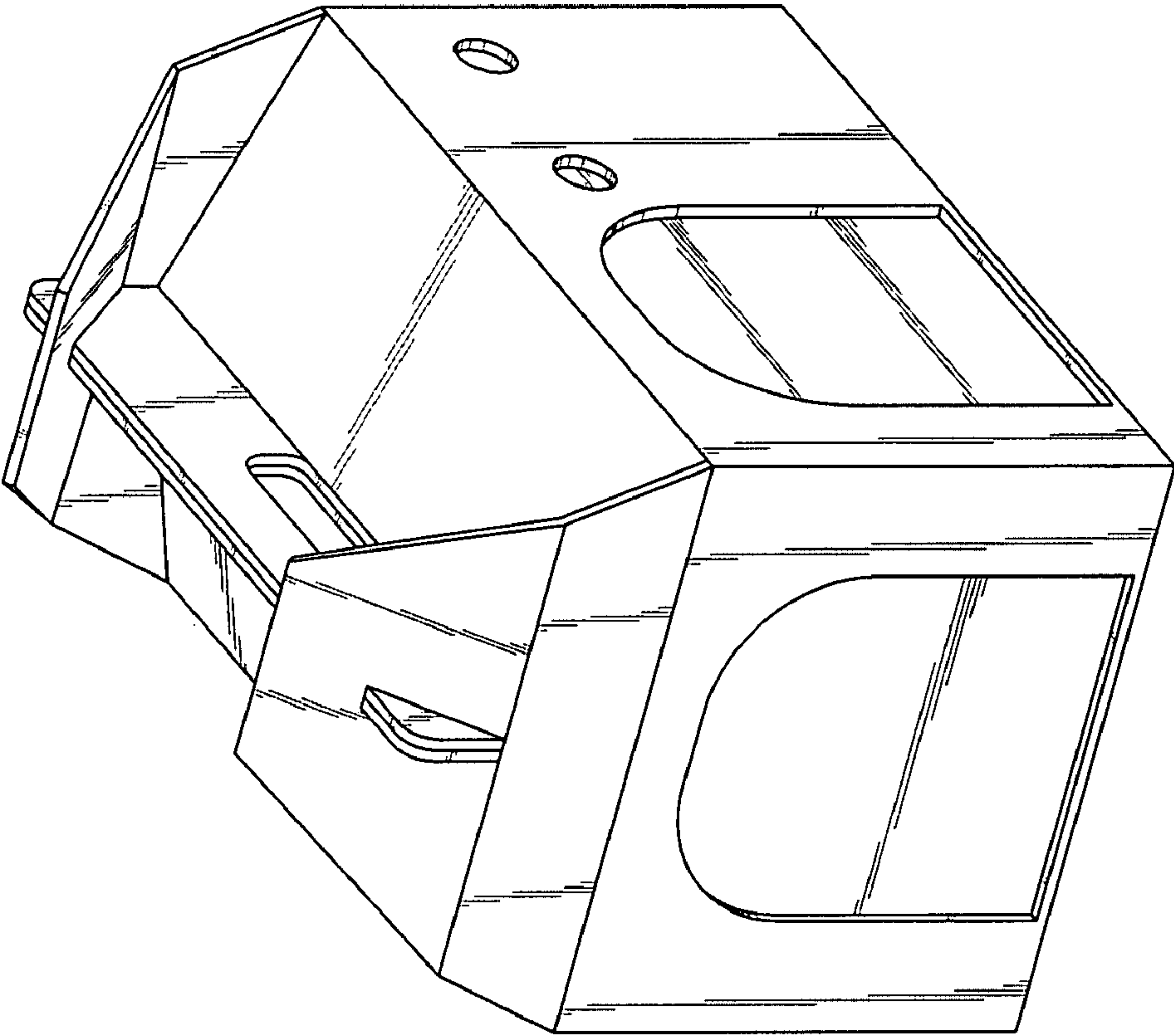


Fig. 8

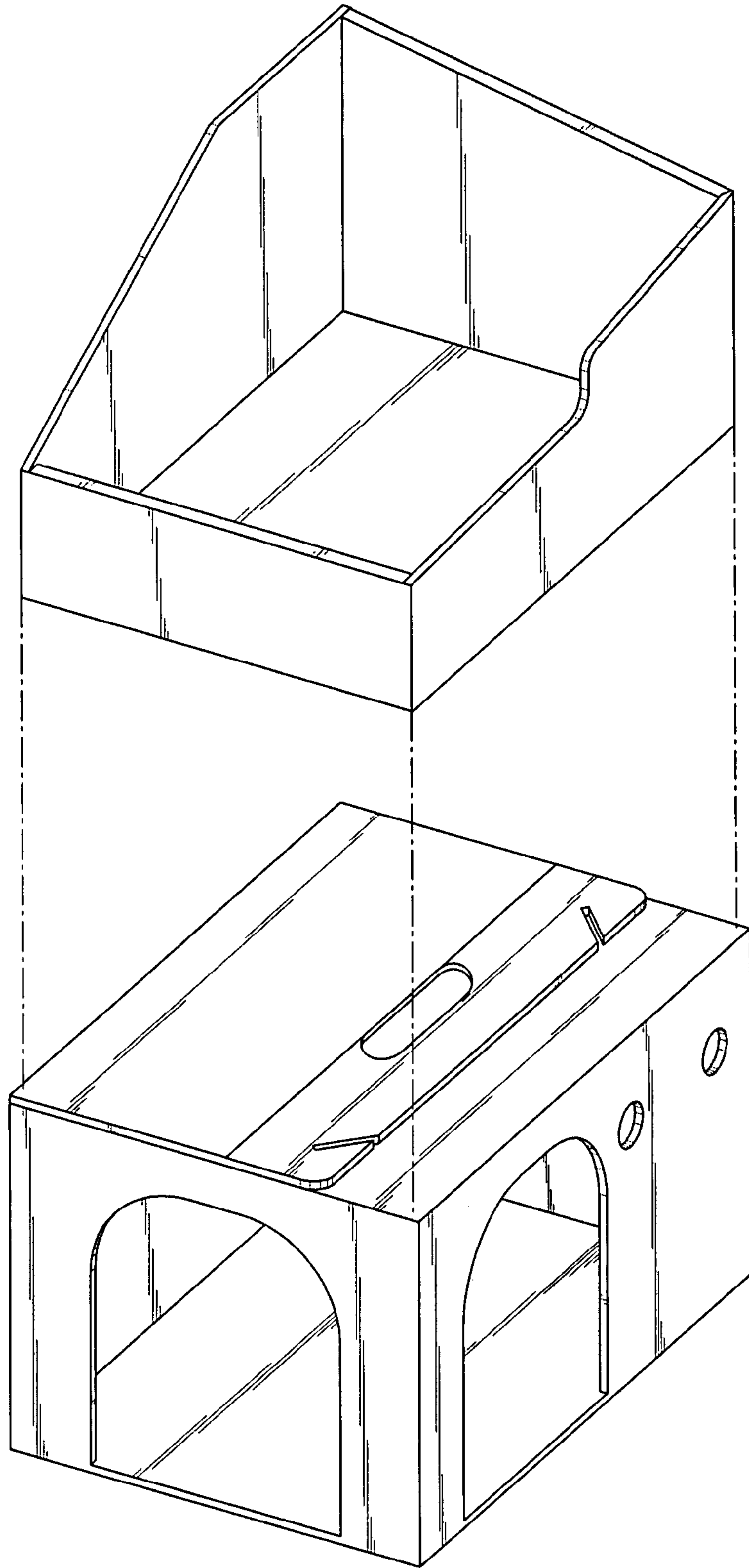


Fig. 9