



US00D555288S

(12) **United States Design Patent** (10) **Patent No.:** **US D555,288 S**
Hirst (45) **Date of Patent:** **** Nov. 13, 2007**

(54) **COSMETIC CONTAINER**
(75) Inventor: **Kenneth William Hirst**, New York, NY (US)
(73) Assignee: **Mary Kay Inc.**, Dallas, TX (US)
(**) Term: **14 Years**
(21) Appl. No.: **29/249,282**
(22) Filed: **Sep. 29, 2006**

5,199,451 A 4/1993 Montoli 132/315
D337,179 S 7/1993 Faure D28/83
5,320,116 A 6/1994 Ackermann 132/293
5,323,794 A 6/1994 Favre 132/294
5,331,982 A 7/1994 Machelett 132/301
5,373,862 A 12/1994 Blachut 132/294
5,483,981 A 1/1996 Vandromme et al. 132/315
D373,952 S 9/1996 Exarhos et al. D9/423
5,605,167 A 2/1997 Montoli 132/294
5,638,839 A 6/1997 Montoli 132/295
5,642,832 A 7/1997 Favre 220/260
5,655,553 A 8/1997 Giese et al. 132/303

(51) **LOC (8) Cl.** **28-03**
(52) **U.S. Cl.** **D28/83**
(58) **Field of Classification Search** 132/286,
132/287, 288, 293-307; 206/581, 823; D28/64.1,
D28/64.3, 76-84
See application file for complete search history.

(56) **References Cited**

U.S. PATENT DOCUMENTS

3,637,278 A 1/1972 Easterbrooks 312/227
4,345,607 A 8/1982 Contreras 132/83 R
4,421,127 A 12/1983 Geer 132/83 R
D277,422 S 1/1985 Bakic D28/83
D280,852 S 10/1985 Bakic D28/83
D280,853 S 10/1985 Bakic D28/83
D281,731 S 12/1985 Phu D28/83
D282,300 S 1/1986 Bakic D28/83
4,589,430 A 5/1986 Sussman 132/82 D
D286,212 S 10/1986 Campello et al. D28/83
D290,175 S 6/1987 Bakic D28/77
4,693,392 A 9/1987 Contreras 220/343
D293,612 S 1/1988 Bulwik D28/83
4,858,765 A 8/1989 Nakamura 206/581
4,917,131 A 4/1990 Contreras 132/301
D316,462 S 4/1991 Restrepo D28/83
5,005,697 A 4/1991 Jimbo et al. 206/235
5,092,354 A 3/1992 Pacelli 132/294
5,127,568 A 7/1992 Unuma et al. 226/74
5,135,012 A 8/1992 Kamen et al. 132/294

(Continued)

Primary Examiner—Jennifer Rivard
(74) *Attorney, Agent, or Firm*—Fulbright & Jaworski L.L.P.

(57) **CLAIM**

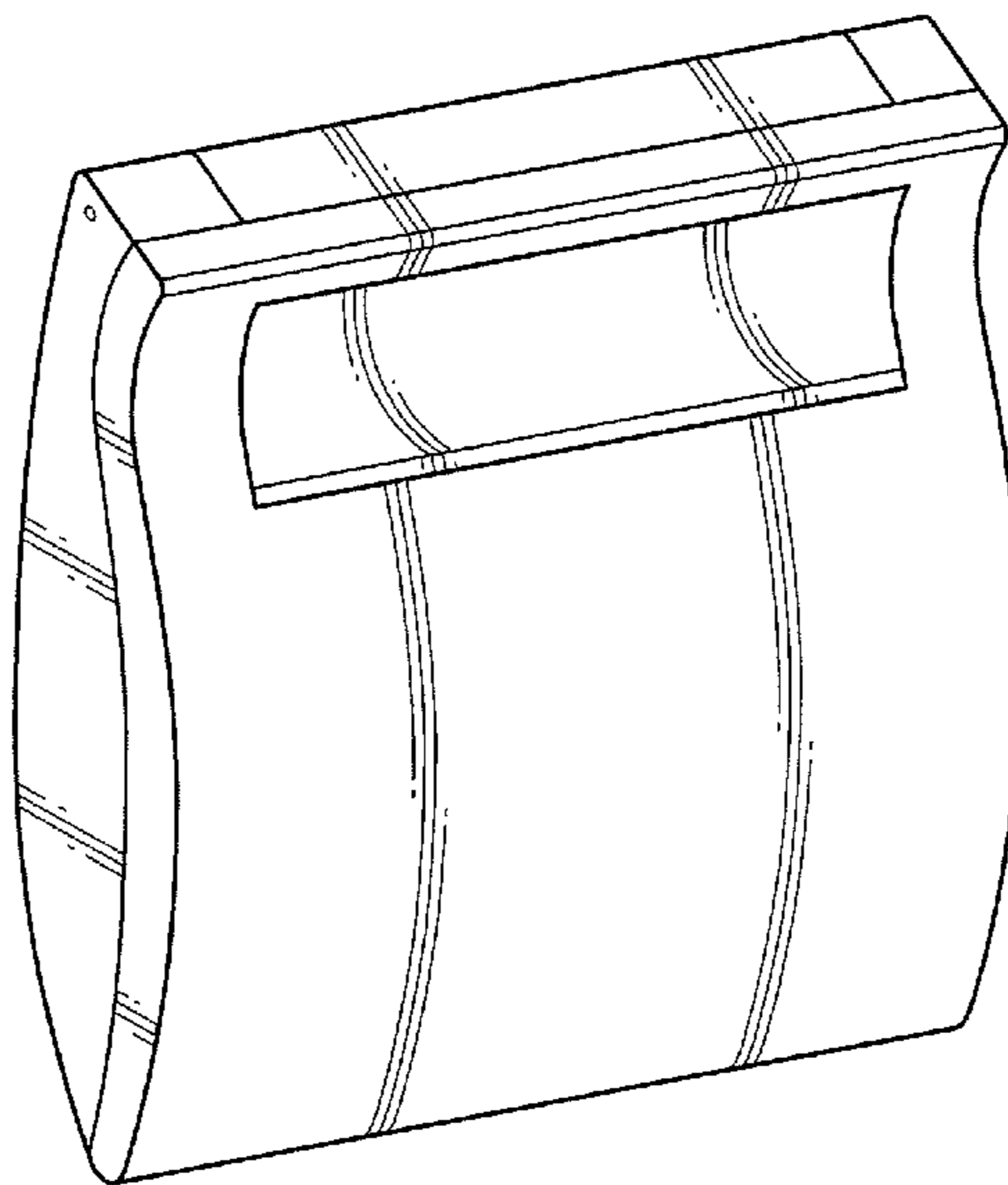
The ornamental design for a cosmetic container, as shown and described.

DESCRIPTION

FIG. 1 is a top perspective view of my design;
FIG. 2 is a bottom perspective view thereof;
FIG. 3 is a top view thereof;
FIG. 4 is a bottom view thereof;
FIG. 5 is a right side view thereof;
FIG. 6 is a left side view thereof;
FIG. 7 is a front view thereof; and,
FIG. 8 is a back view thereof.

The dashed lines are environmental structure forming no part of the claimed design. All other surface(s) or portion(s) of the embodiments of my design not shown in the figures or otherwise described in the specification form no part of the claimed design.

1 Claim, 3 Drawing Sheets



US D555,288 S

Page 2

U.S. PATENT DOCUMENTS

5,704,378 A	1/1998	Machelett	132/304	D481,493 S	10/2003	Chen	D28/73
5,713,381 A	2/1998	Sloane	132/312	D488,263 S	4/2004	Thorpe et al.	D28/83
5,713,471 A	2/1998	Gueret	206/581	D498,879 S	11/2004	Martinez	D28/83
5,735,297 A	4/1998	Litton	132/294	6,857,432 B2	2/2005	Laforcade	132/294
D398,079 S	9/1998	Denison	D28/82	D503,245 S	3/2005	Vanoncini	D28/78
D407,855 S	4/1999	Orsomando	D28/83	D504,743 S	5/2005	Kostow	D28/78
D407,856 S	4/1999	Orsomando	D28/83	D505,752 S	5/2005	Martinez	D28/83
5,950,639 A	9/1999	Suzuki et al.	132/294	D506,752 S	6/2005	Huh	D14/316
D424,752 S	5/2000	Thorpe	D28/82	6,932,220 B2	8/2005	Byun	206/581
D428,208 S	7/2000	Nodarse	D28/77	D511,025 S	10/2005	Martinez	D28/83
D433,773 S	11/2000	Gavin	D28/83	D512,533 S	12/2005	Martinez	D28/83
D439,019 S	3/2001	Motosko	D28/83	D518,603 S	4/2006	Dittmer et al.	D28/83
D445,563 S	7/2001	Cautereels	D3/205	7,047,983 B2	5/2006	Manougian	132/294
6,311,701 B1	11/2001	Yuhara et al.	132/294	D539,481 S *	3/2007	Lui	D28/83
D478,397 S	8/2003	Bakic	D28/83	2005/0199260 A1	9/2005	Petit	132/301
D478,689 S	8/2003	Thorpe	D28/83	2006/0118454 A1	6/2006	Kang	206/581

* cited by examiner

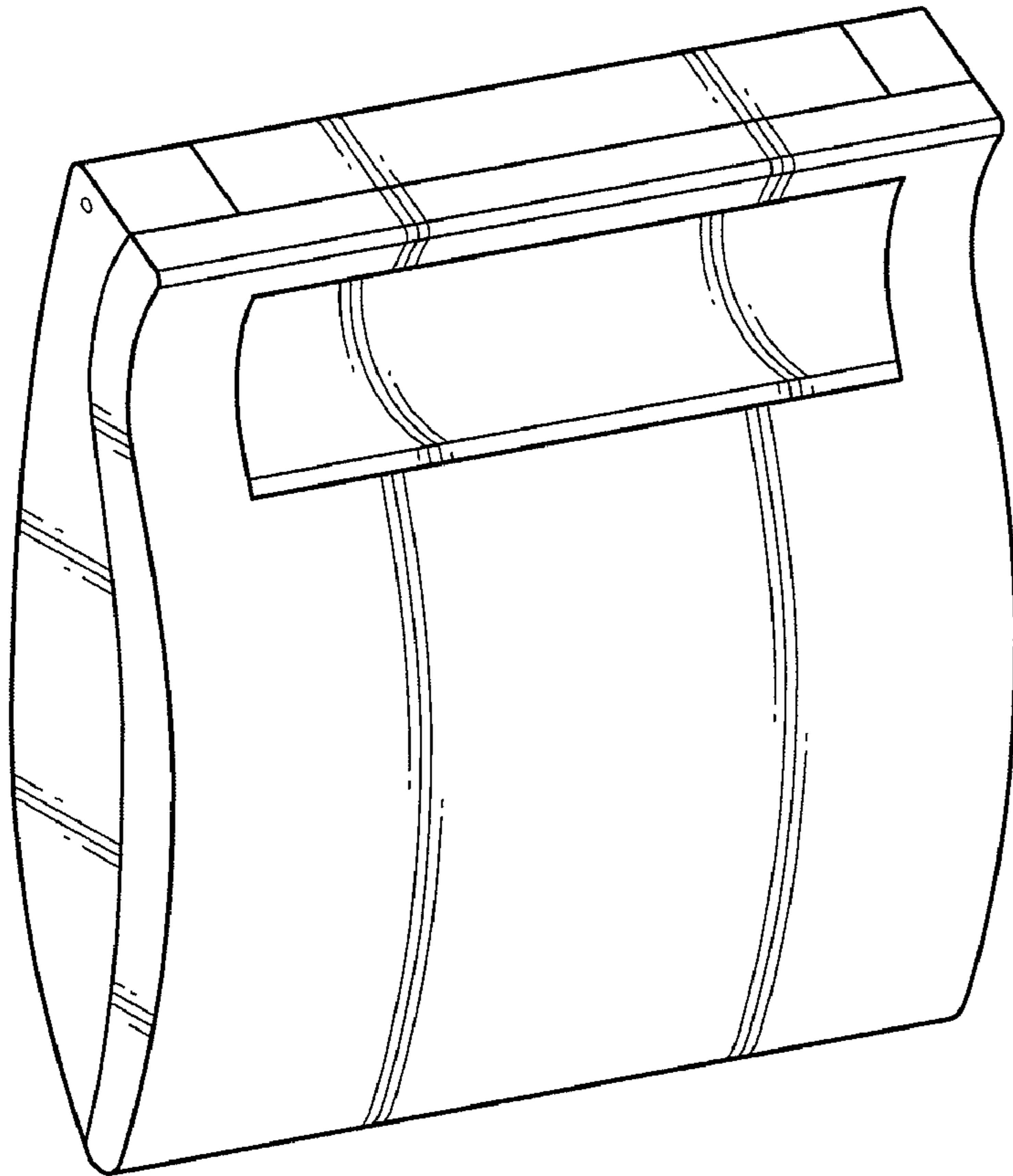


FIG. 1

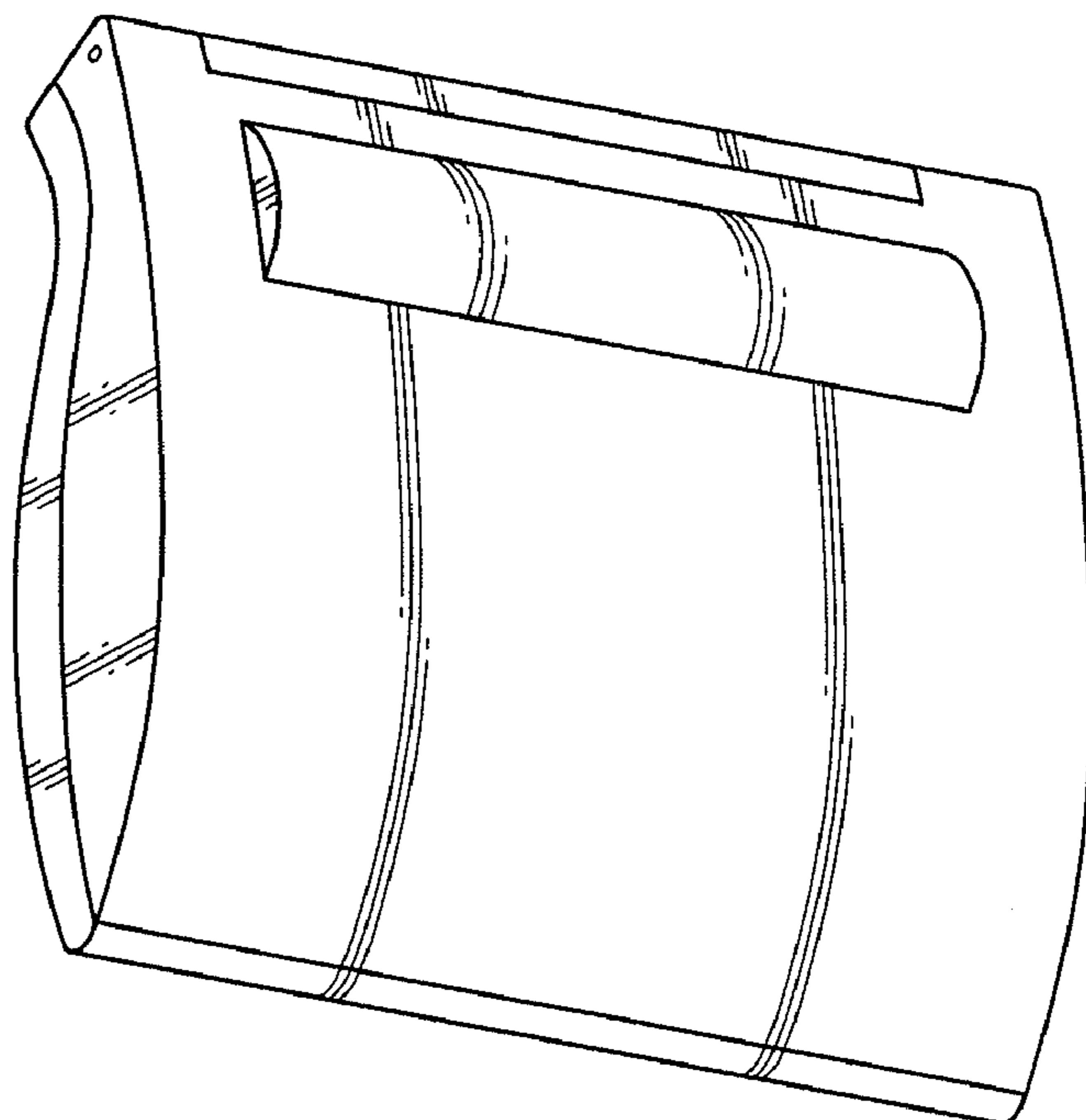


FIG. 2

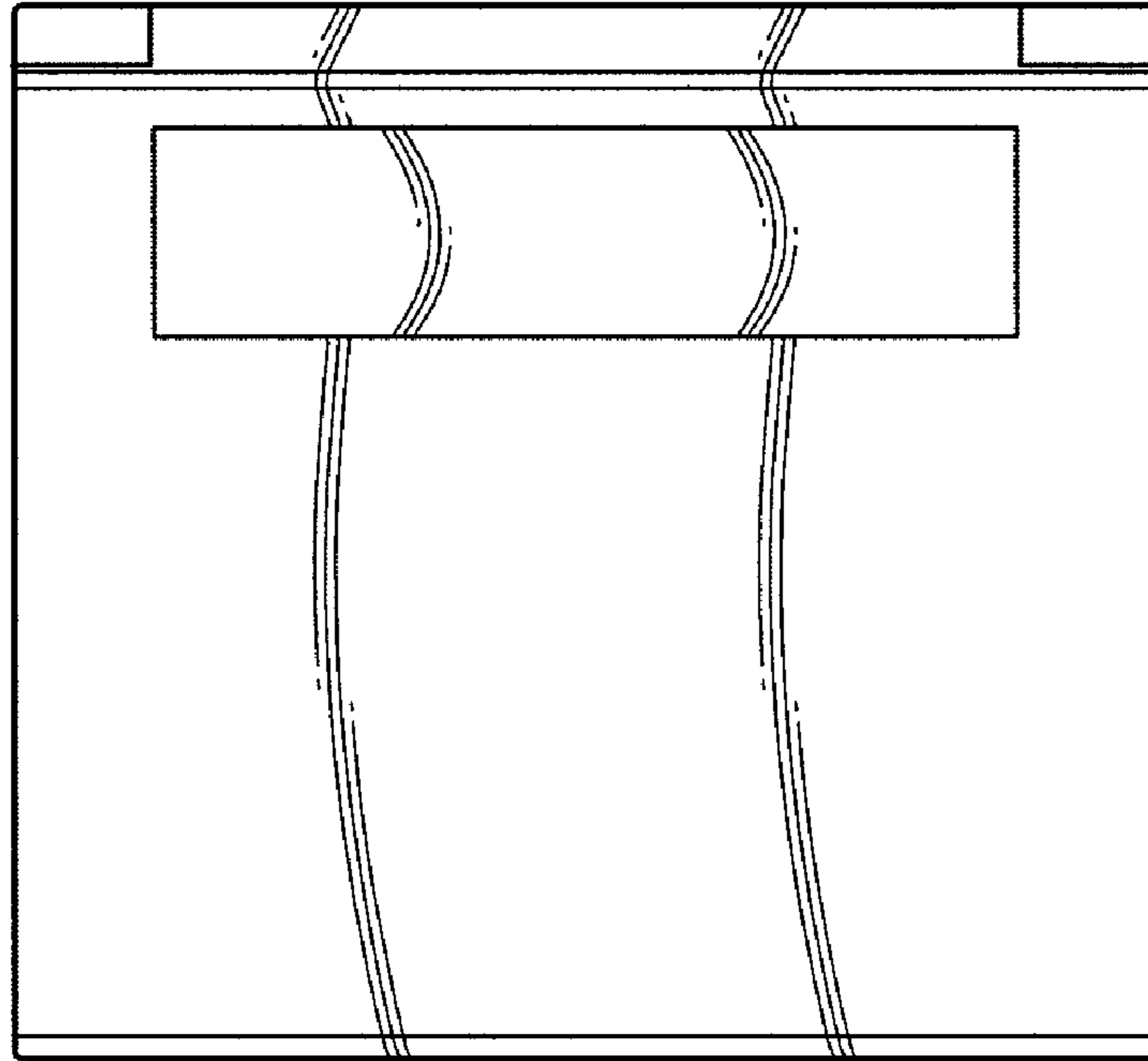


FIG. 3

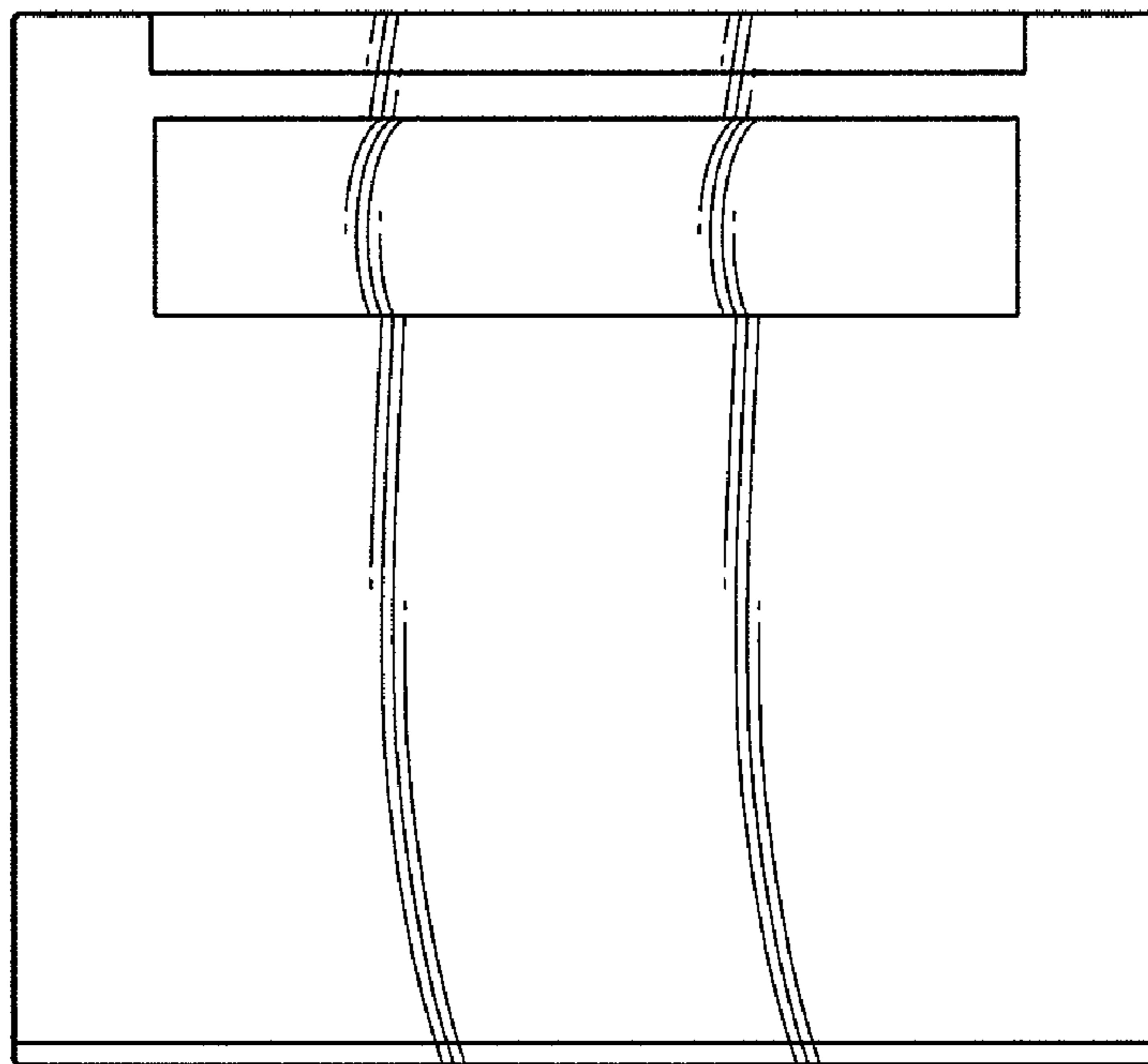


FIG. 4

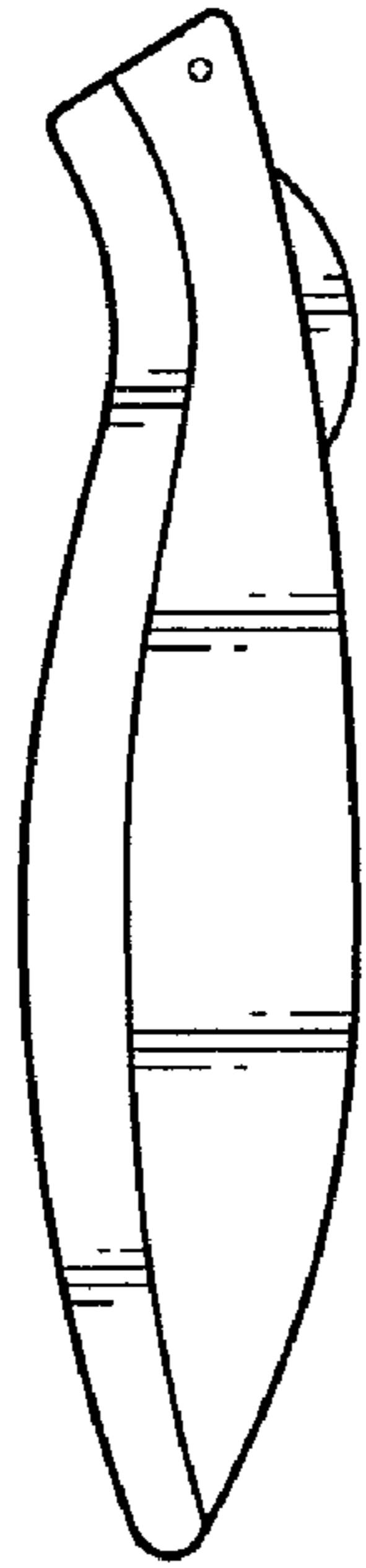


FIG. 5

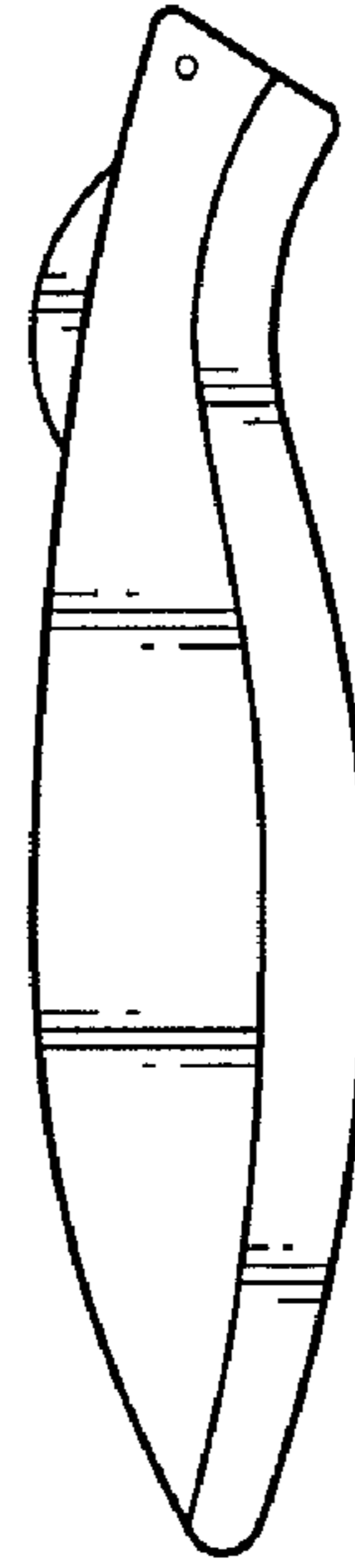


FIG. 6

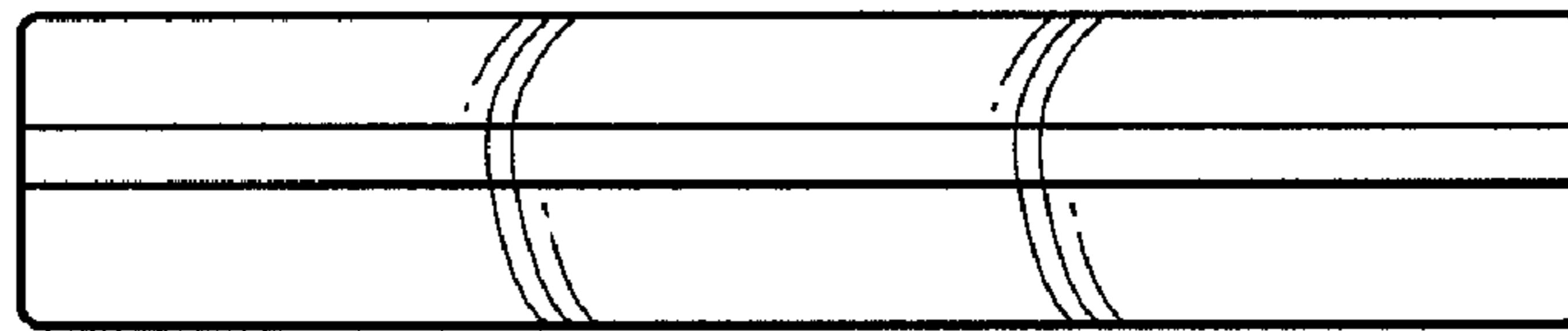


FIG. 7

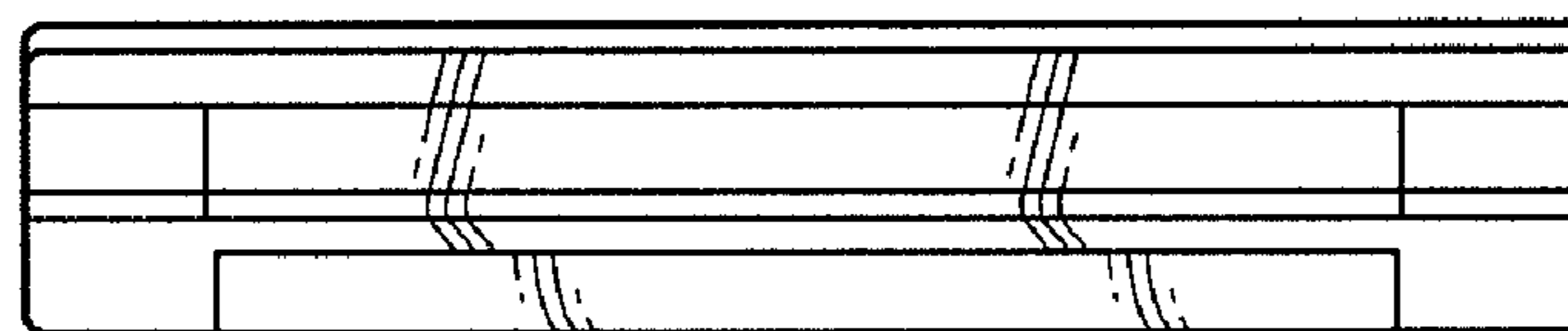


FIG. 8