



US00D555282S

(12) **United States Design Patent**  
**Hidalgo**

(10) **Patent No.:** **US D555,282 S**

(45) **Date of Patent:** **\*\* Nov. 13, 2007**

(54) **LIGHT FIXTURE**

(75) Inventor: **Rolando Hidalgo**, Orange, CA (US)

(73) Assignee: **Minka Lighting, Inc.**, Corona, CA (US)

(\*\*) Term: **14 Years**

(21) Appl. No.: **29/235,926**

(22) Filed: **Aug. 8, 2005**

(51) **LOC (8) Cl.** ..... **26-99**

(52) **U.S. Cl.** ..... **D26/128**

(58) **Field of Classification Search** ..... D26/59,  
D26/134, 130, 24, 51, 67, 68, 72, 81, 105,  
D26/113, 118, 122, 128, 129; 416/5; D23/411,  
D23/377

See application file for complete search history.

(56) **References Cited**

**U.S. PATENT DOCUMENTS**

D73,094 S *	7/1927	McCoy	.....	D26/68
D85,928 S *	1/1932	Grady	.....	D26/105
D278,659 S *	4/1985	Lodrick, Sr.	.....	D26/85
D285,123 S *	8/1986	Schwartz	.....	D26/118
D311,773 S *	10/1990	Freeman	.....	D23/411
D359,376 S *	6/1995	Tsuji	.....	D26/91
D370,295 S *	5/1996	Kang	.....	D26/134
D376,004 S *	11/1996	Tsuji	.....	D23/377
D379,550 S *	5/1997	Kuo	.....	D26/131
D383,531 S *	9/1997	Tsuji	.....	D23/411
D390,945 S *	2/1998	Pickett	.....	D23/377
D394,127 S *	5/1998	Dolan	.....	D26/134
D421,115 S *	2/2000	Gee, II	.....	D23/411
D424,679 S *	5/2000	LaSpina	.....	D23/377
D426,669 S *	6/2000	Nicholas	.....	D26/131
D444,263 S *	6/2001	Dolan	.....	D26/130
D444,908 S *	7/2001	Dolan	.....	D26/130

D459,018 S *	6/2002	Dolan	.....	D26/102
D459,524 S *	6/2002	Dolan	.....	D26/86
D464,767 S *	10/2002	Dolan	.....	D26/134
D488,578 S *	4/2004	O'Tierney	.....	D26/81

**OTHER PUBLICATIONS**

U.S. Appl. No. 29/235,879, Hidalgo.  
U.S. Appl. No. 29/235,878, Hidalgo.  
U.S. Appl. No. 29/235,860, Hidalgo.

(Continued)

*Primary Examiner*—Freda S. Nunn  
*Assistant Examiner*—Kevin K. Rudzinski  
(74) *Attorney, Agent, or Firm*—Baker & McKenzie LLP

(57) **CLAIM**

The ornamental design for a light fixture, as shown and described.

**DESCRIPTION**

FIG. 1 is a perspective view from below of a light fixture in accordance with my design;

FIG. 2 is an enlarged perspective view from below of the light fixture in accordance with my design;

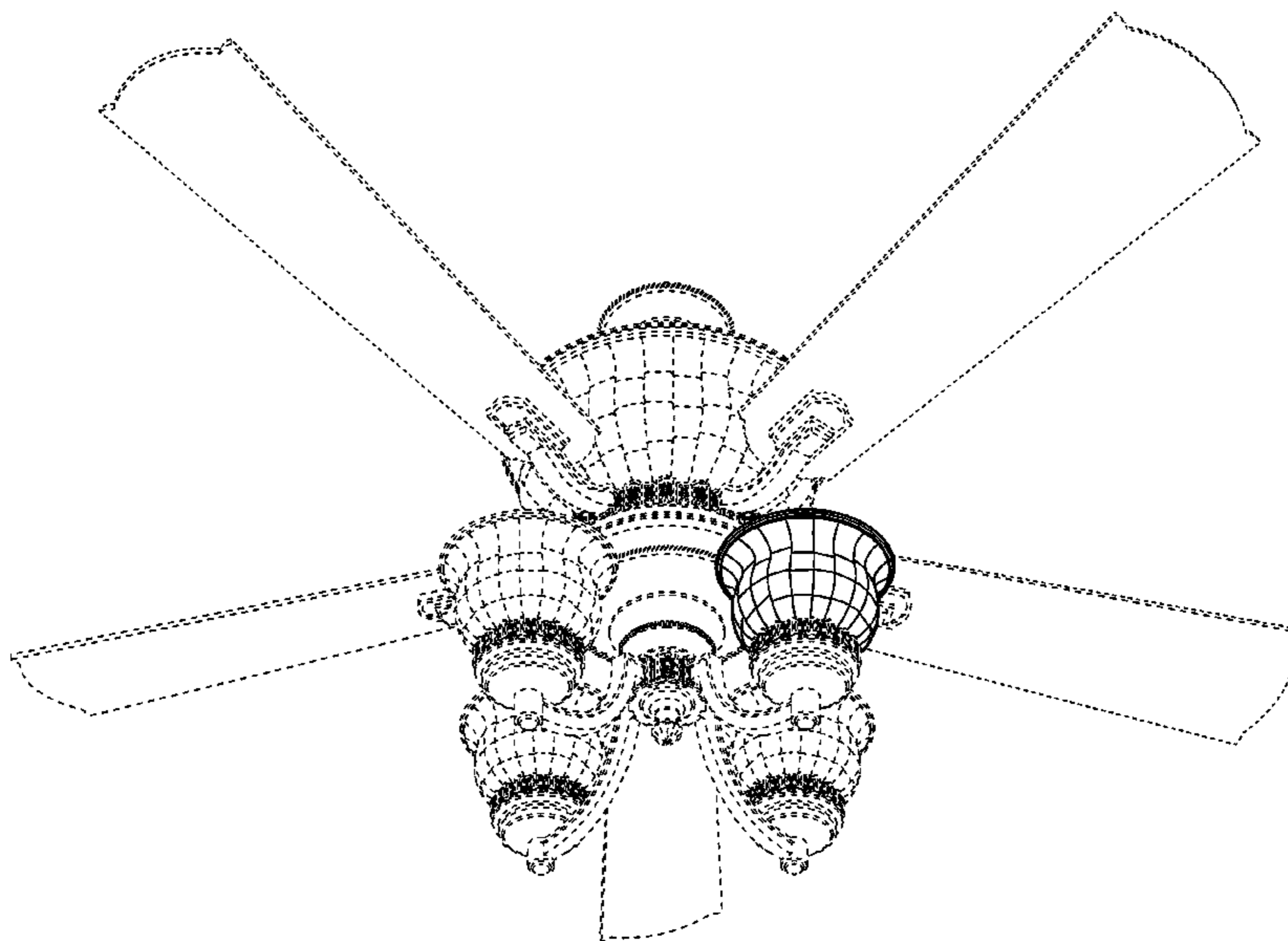
FIG. 3 is a top plan view of the light fixture in accordance with my design;

FIG. 4 is a side elevation view of the light fixture in accordance with my design, the opposite side being a mirror image of that shown; and,

FIG. 5 is a bottom plan view of the light fixture in accordance with my design.

The broken lines showing environmental structure are for illustrative purposes and form no part of the claimed invention.

**1 Claim, 2 Drawing Sheets**

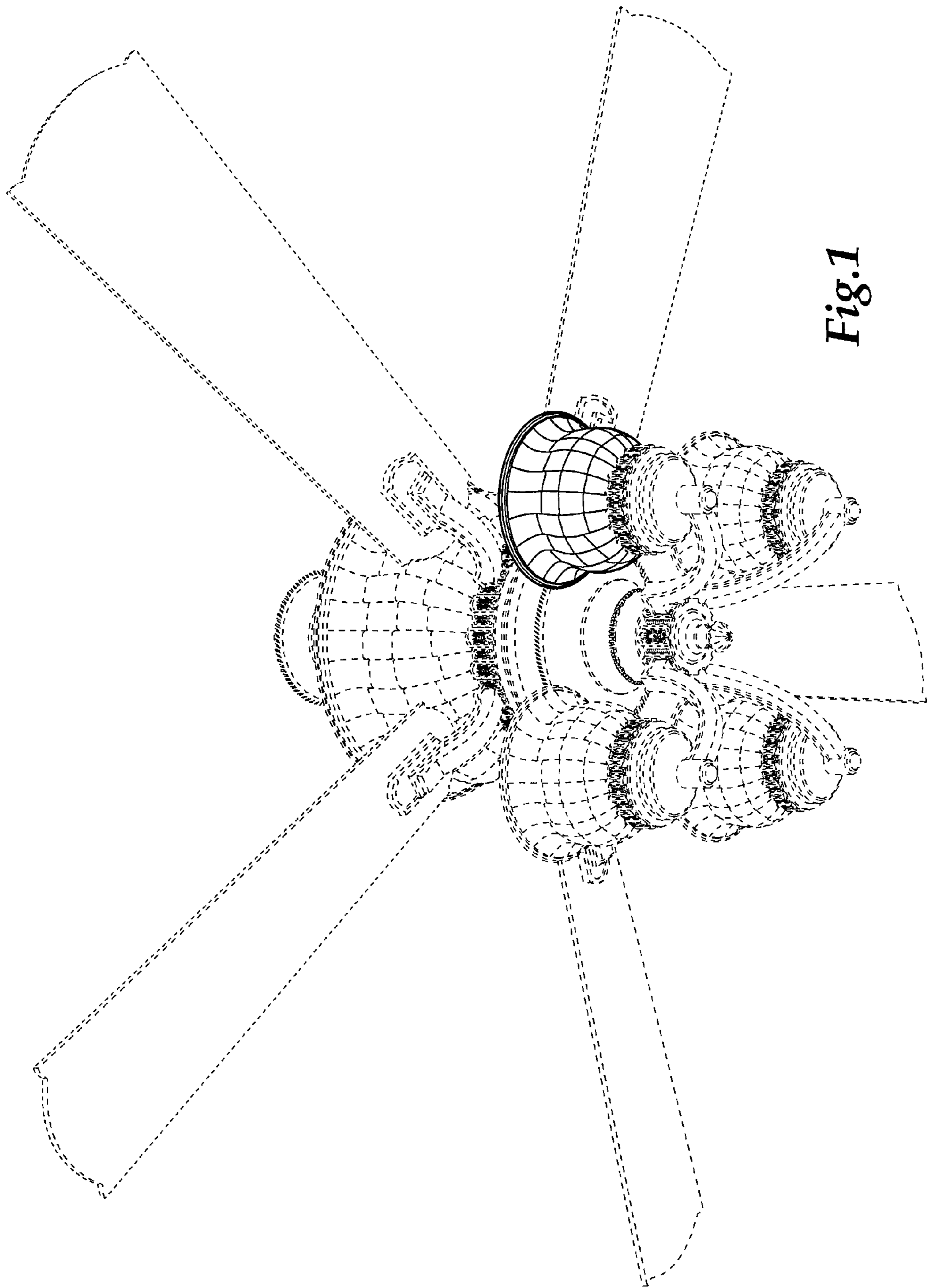


OTHER PUBLICATIONS

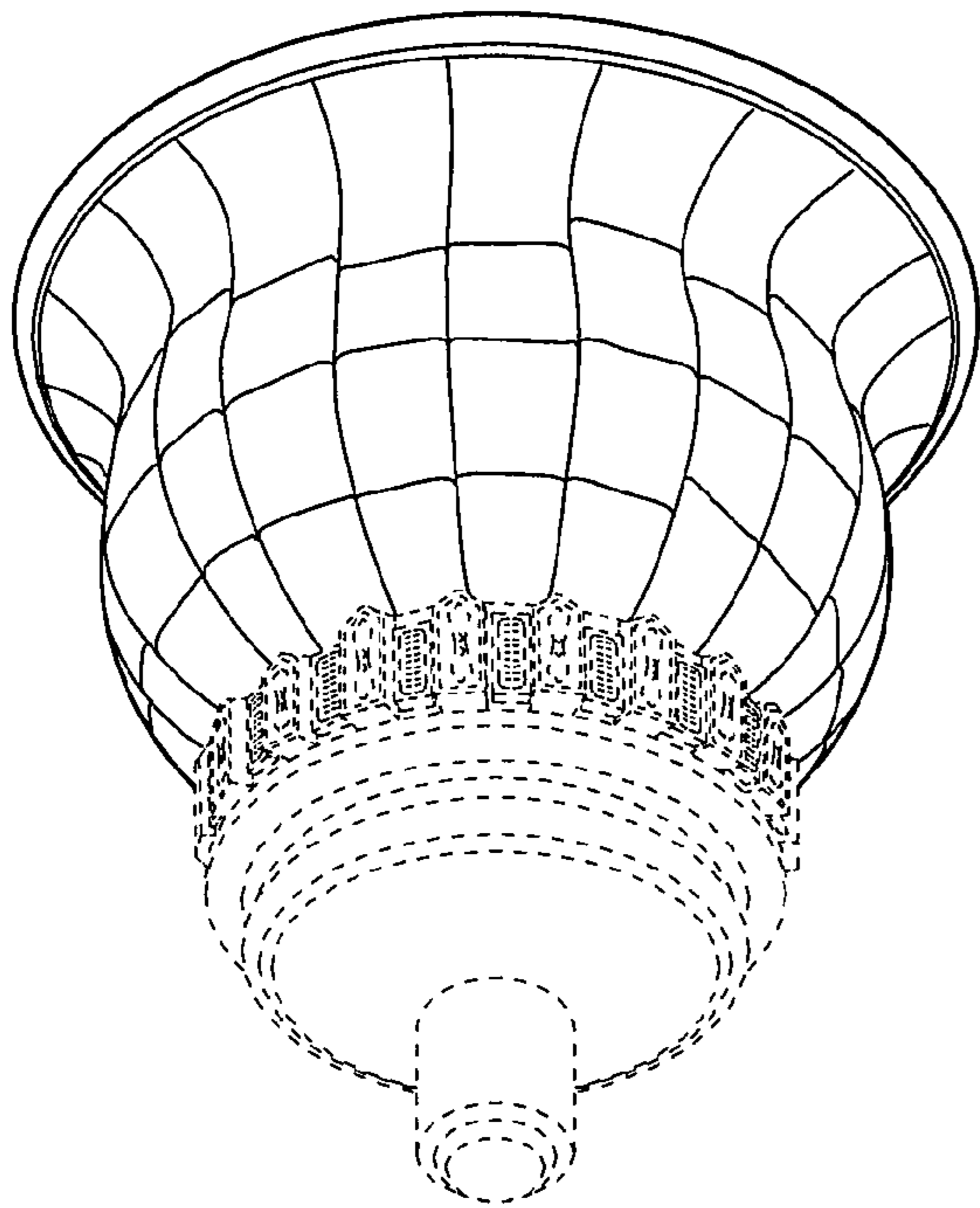
U.S. Appl. No. 29/235,909, Hidalgo.  
U.S. Appl. No. 29/235,865, Hidalgo.  
U.S. Appl. No. 29/235,866, Hidalgo.  
U.S. Appl. No. 29/235,861, Hidalgo.  
U.S. Appl. No. 29/235,877, Hidalgo.  
U.S. Appl. No. 29/235,857, Hidalgo.  
U.S. Appl. No. 29/235,859, Hidalgo.

Fanimation Internet Catalog; Belize; Model # FP2920AR; printed from [www.fanshack.com](http://www.fanshack.com) on Apr. 27, 2005.  
Casablanca Internet Catalog; Nouvelle; Model # 96U52T; printed from [www.hansenwholesale.com](http://www.hansenwholesale.com) on Apr. 27, 2005.  
Hunter Internet Catalog; Pienza; Model # 28871; printed from [www.fanshack.com](http://www.fanshack.com) on Jul. 7, 2005.  
Minka Lighting, Inc.; MinkaAire 2005 catalog; Jan. 2005; p. 16; Minka Lighting, Inc.; U.S.A.

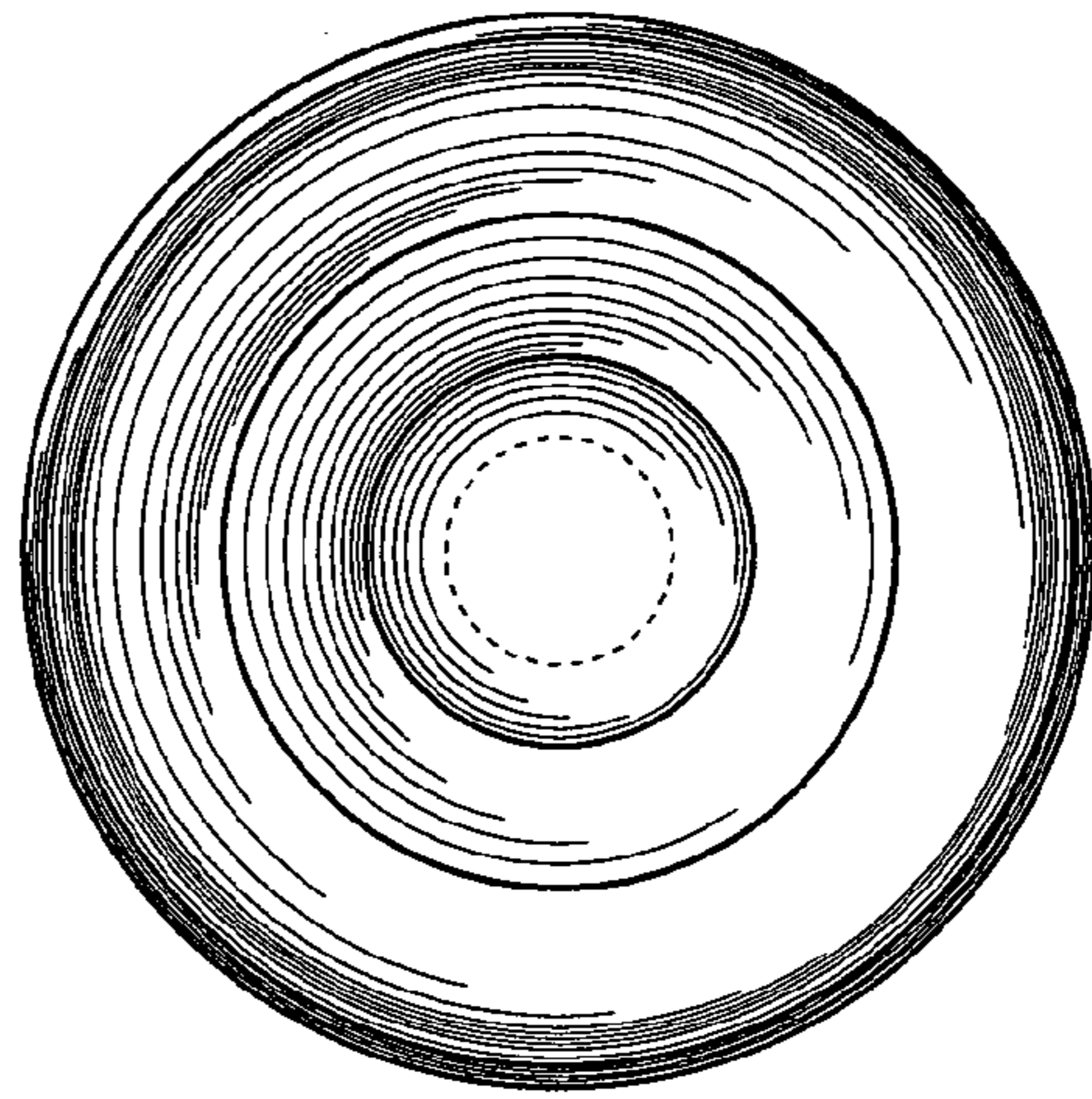
\* cited by examiner



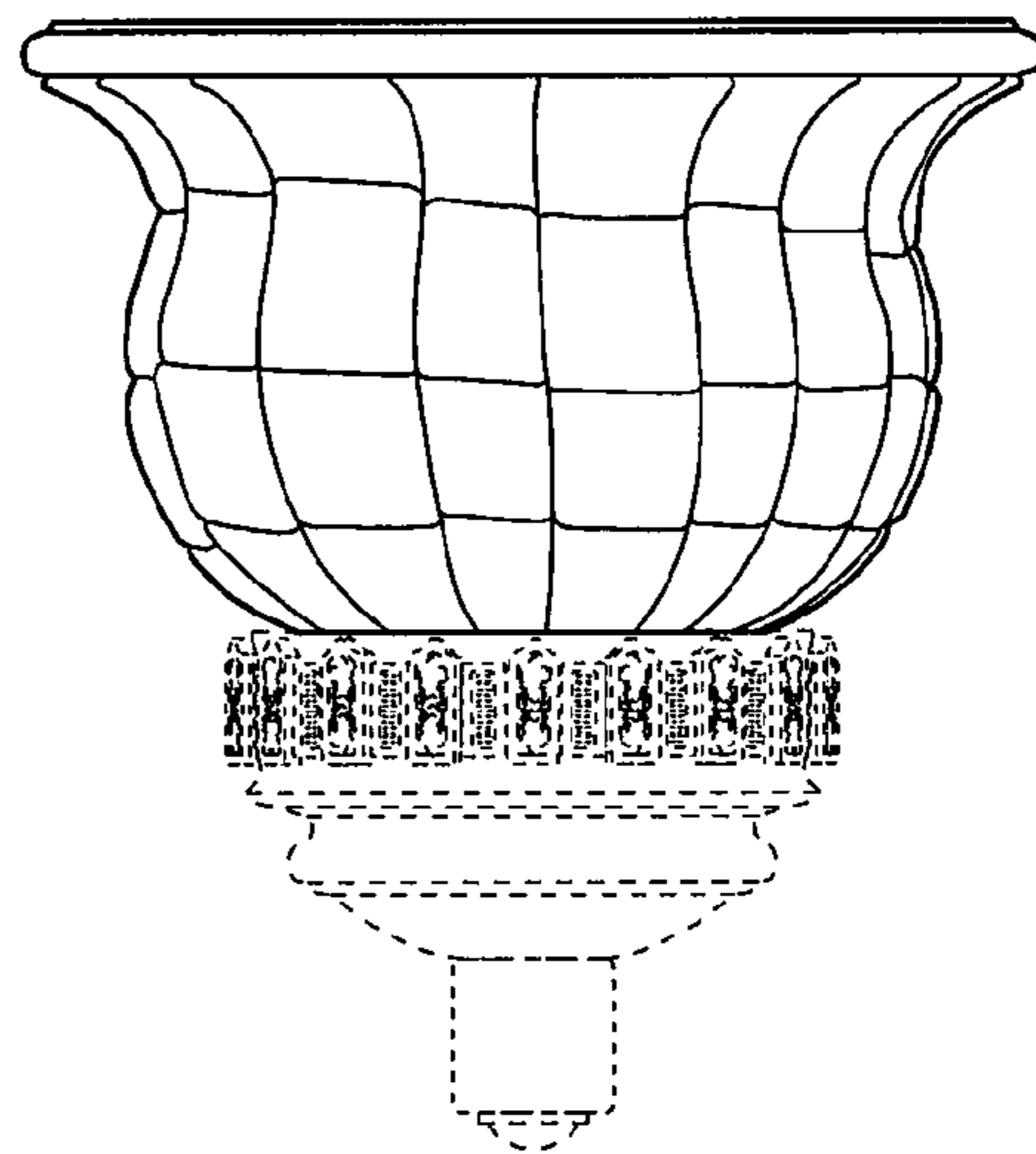
*Fig. 1*



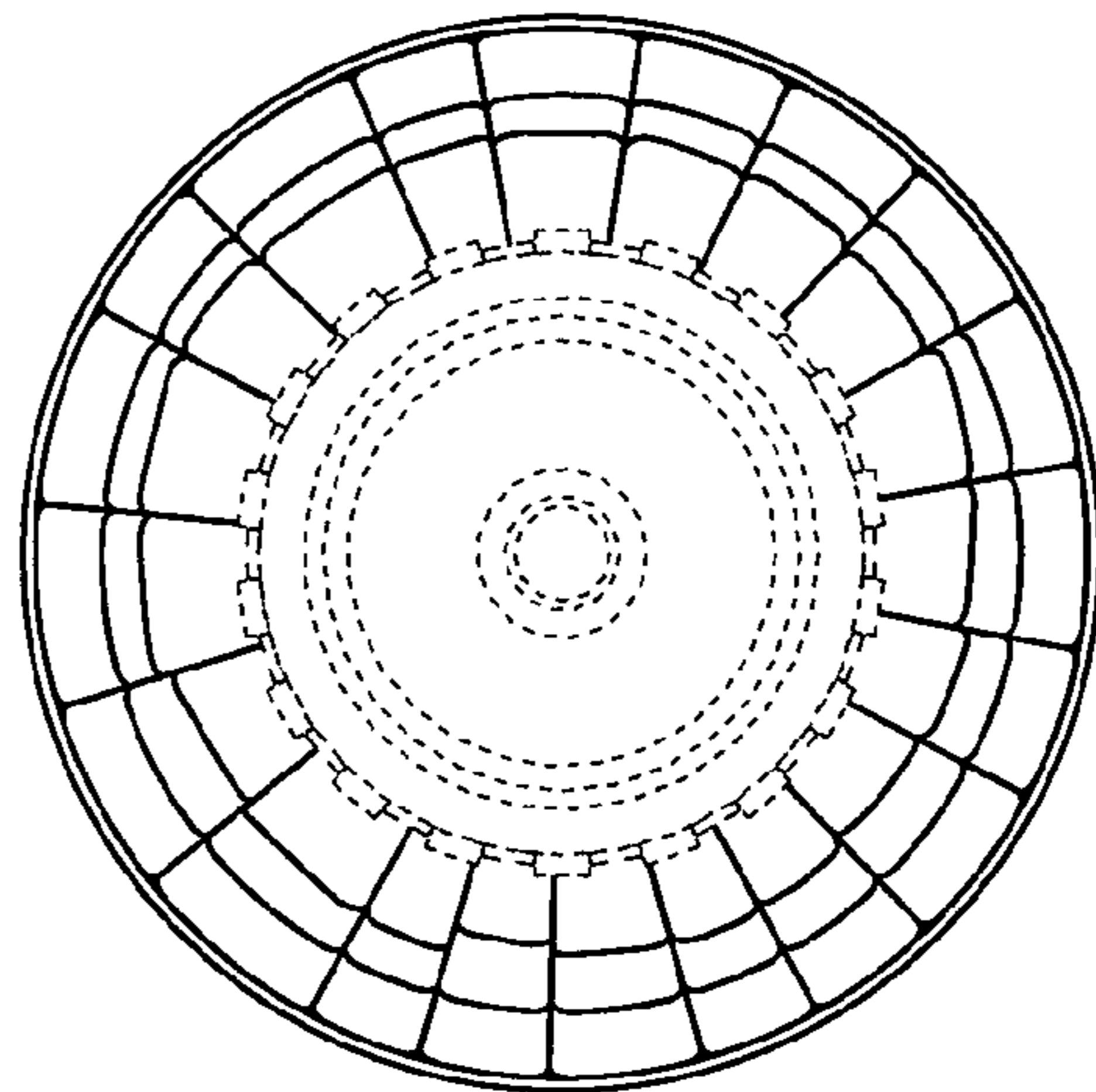
*Fig.2*



*Fig.3*



*Fig.4*



*Fig.5*