



US00D555278S

(12) **United States Design Patent**
Sanoner

(10) **Patent No.:** **US D555,278 S**

(45) **Date of Patent:** **** Nov. 13, 2007**

(54) **SOLAR LIGHT**

(75) Inventor: **Hughes Marie Sanoner**, Discovery Bay (HK)

(73) Assignee: **Solar Wide Industrial Limited**, Tsuen Wan, New Territories, Hong Kong (CN)

(**) Term: **14 Years**

(21) Appl. No.: **29/272,893**

(22) Filed: **Feb. 20, 2007**

(30) **Foreign Application Priority Data**

Sep. 1, 2006 (EM) 000583000-0004

(51) **LOC (8) Cl.** **26-05**

(52) **U.S. Cl.** **D26/68**

(58) **Field of Classification Search** D26/63, D26/67-71; 362/183, 145, 152, 153, 153.1, 362/266, 267, 269, 275, 287, 415, 431
See application file for complete search history.

(56) **References Cited**

U.S. PATENT DOCUMENTS

D309,786 S * 8/1990 Chien D26/67
D309,953 S * 8/1990 Chien D26/67
D318,344 S * 7/1991 Arts D26/67

5,055,984 A * 10/1991 Hung et al. 362/183
D406,374 S * 3/1999 Porter D26/68
D507,070 S * 7/2005 Sanoner D26/68
D517,719 S * 3/2006 Sanoner D26/68
2004/0095772 A1* 5/2004 Hoover et al. 362/431
2006/0044785 A1* 3/2006 Lee 362/565
2006/0187656 A1* 8/2006 Kuelbs et al. 362/183

* cited by examiner

Primary Examiner—Clare E Heflin

(74) *Attorney, Agent, or Firm*—Alix, Yale & Ristas, LLP

(57) **CLAIM**

The ornamental design for a solar light, as shown and described.

DESCRIPTION

FIG. 1 is a front, right side and top perspective view of a solar light showing my new design;

FIG. 2 is a front elevational view thereof;

FIG. 3 is a rear elevational view thereof;

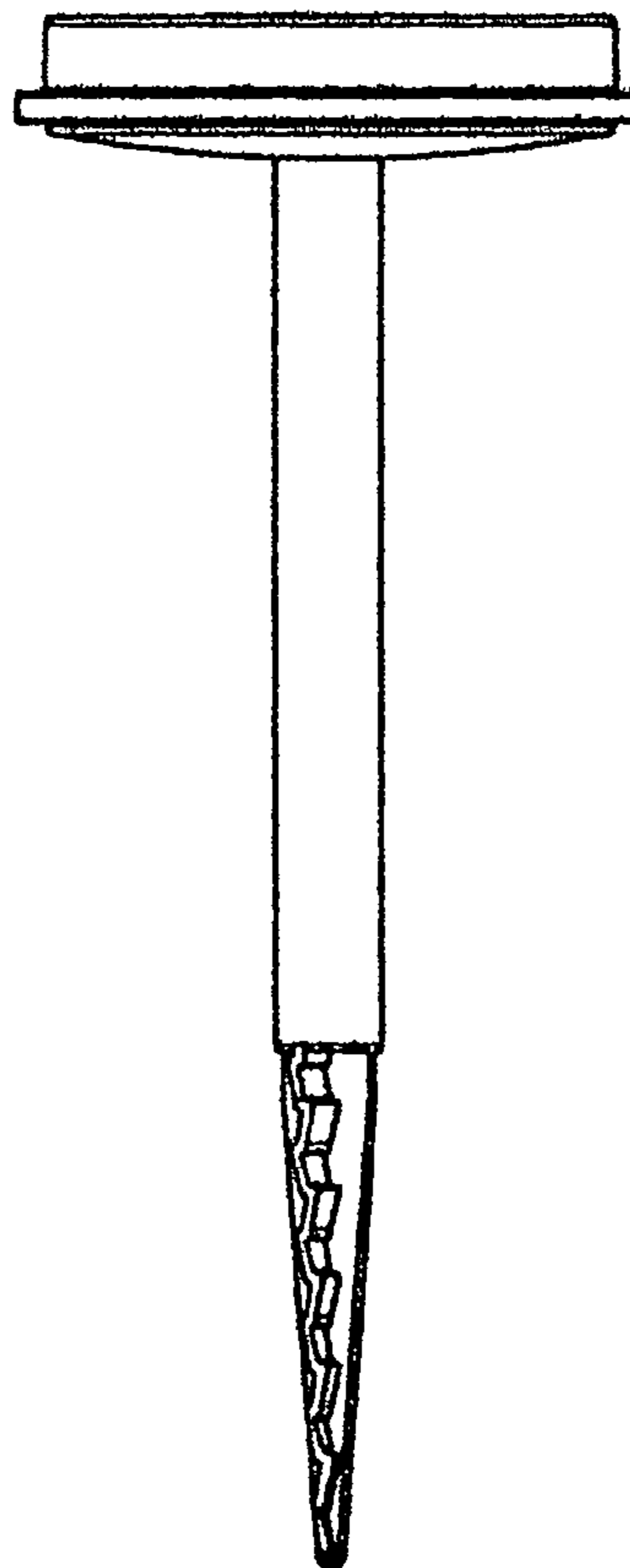
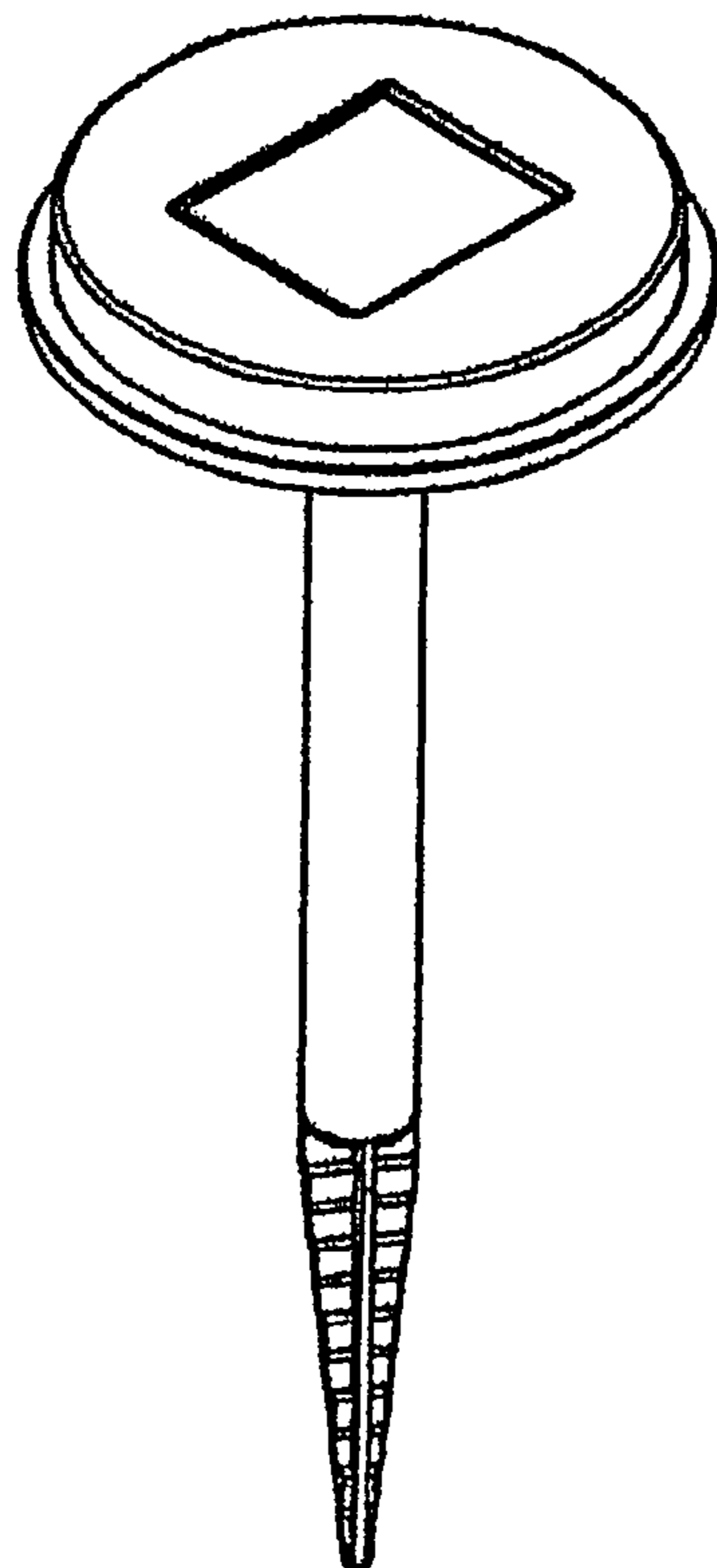
FIG. 4 is a left side elevational view thereof;

FIG. 5 is a right side elevational view thereof;

FIG. 6 is a top end view thereof; and,

FIG. 7 is a bottom end view thereof.

1 Claim, 2 Drawing Sheets



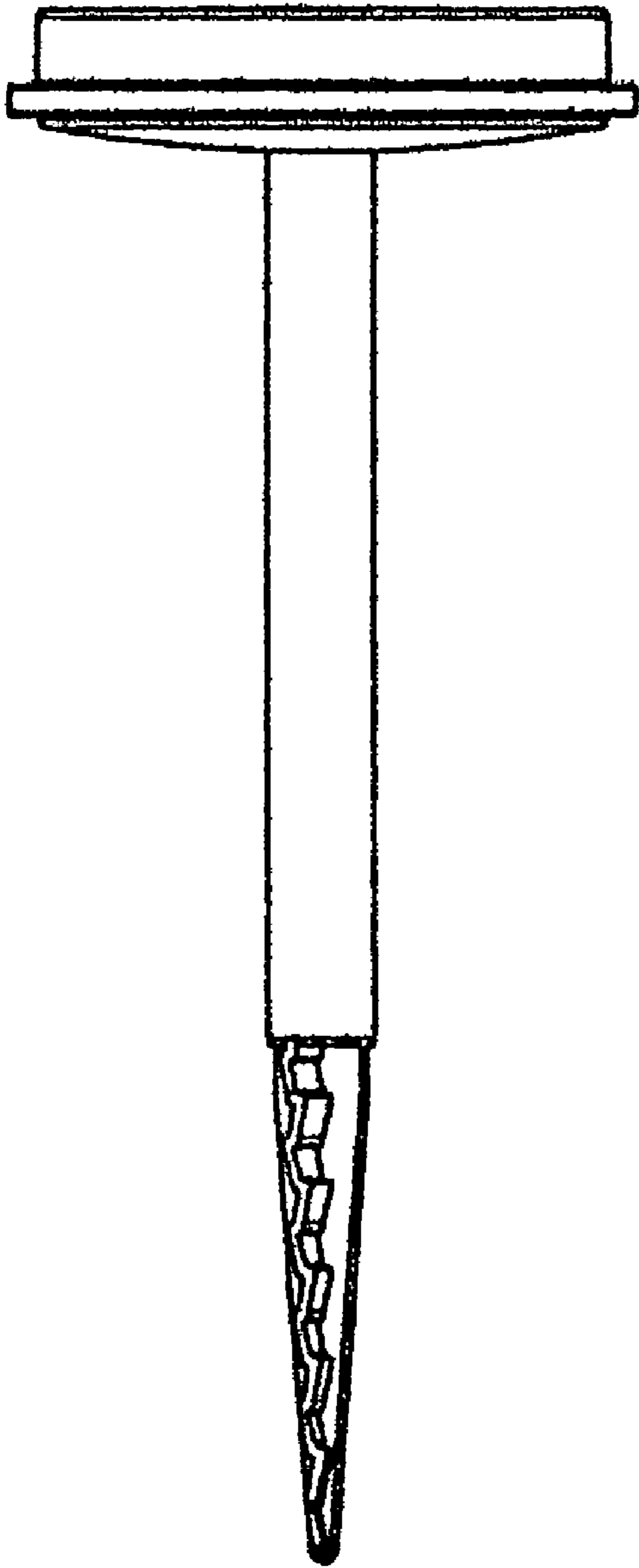


FIG. 3

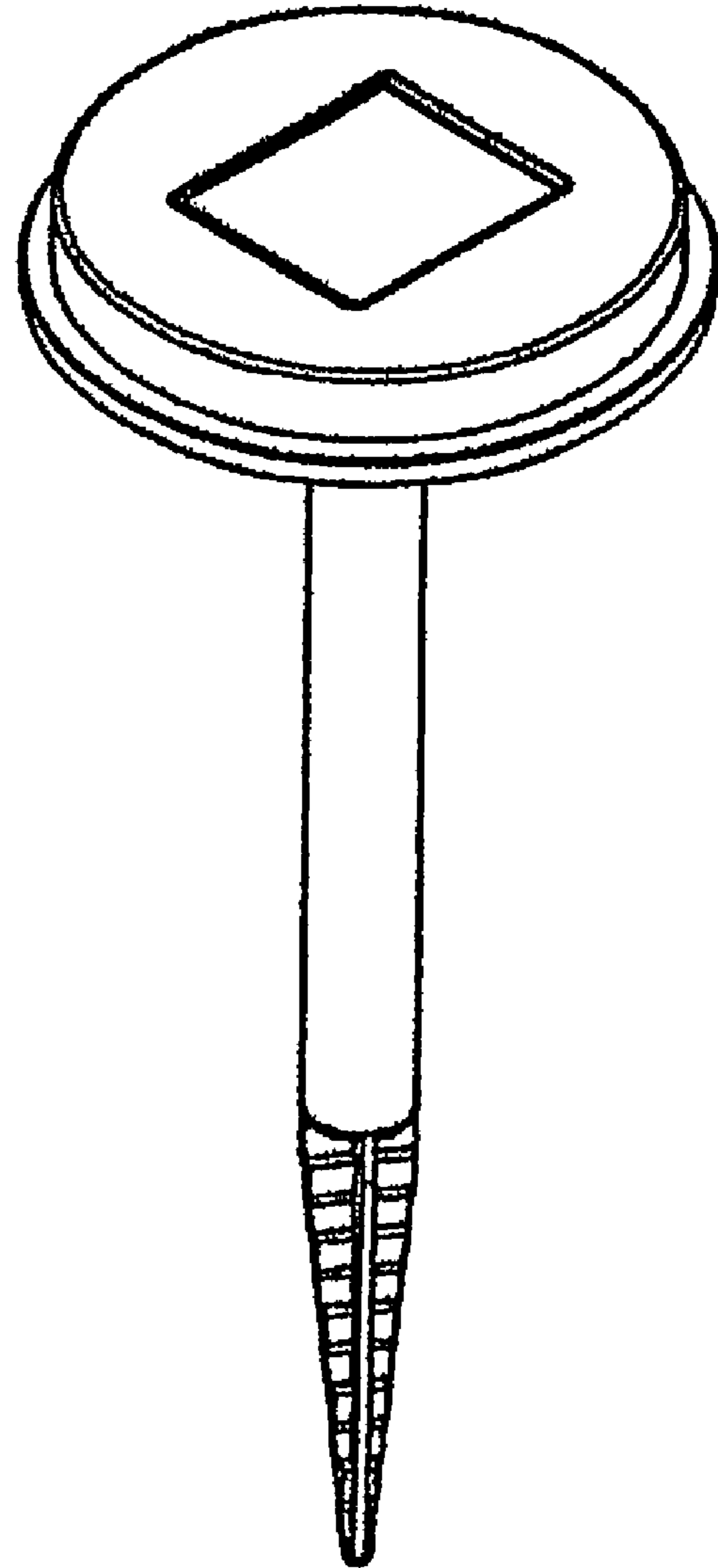


FIG. 1

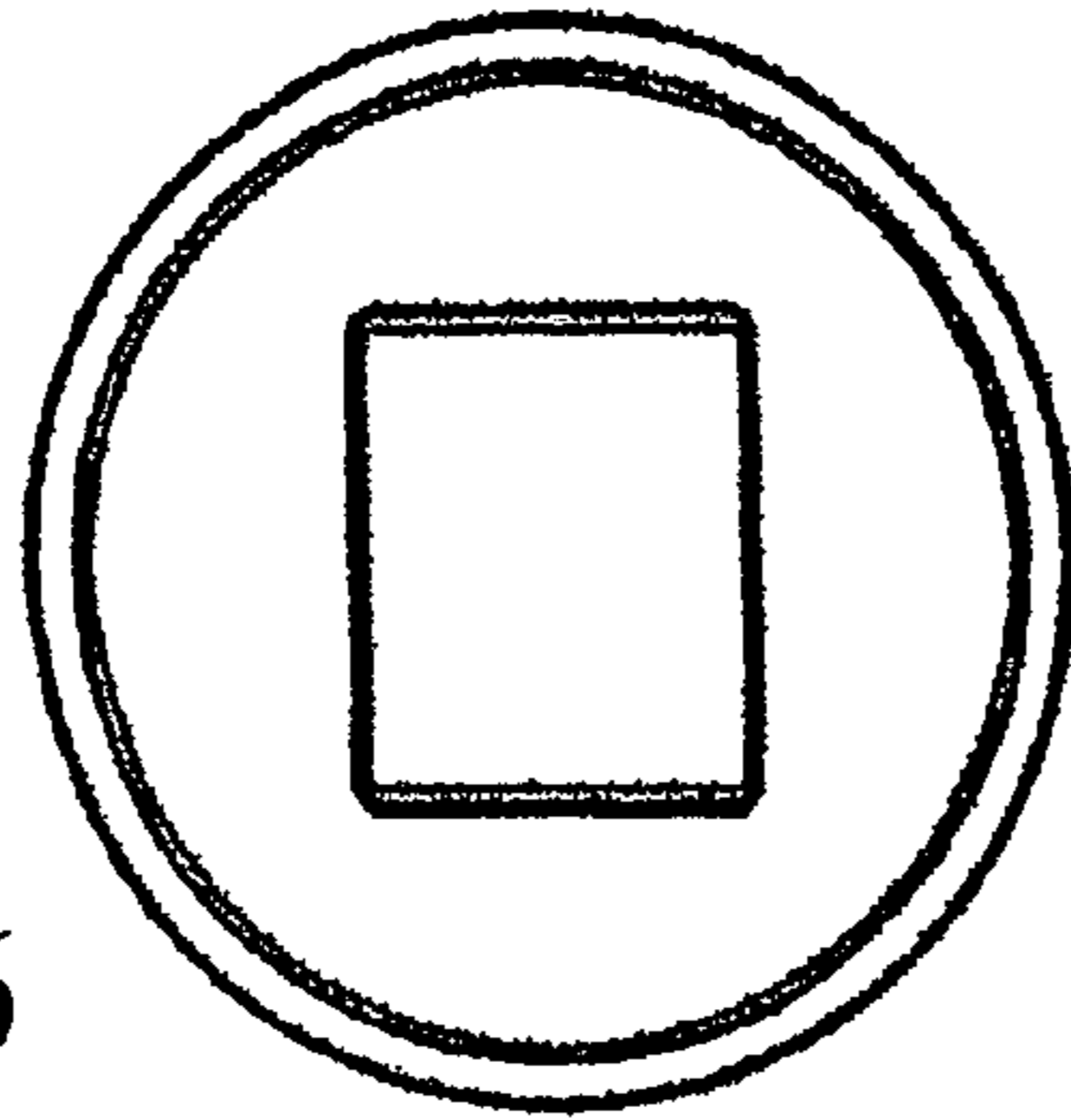


FIG. 6

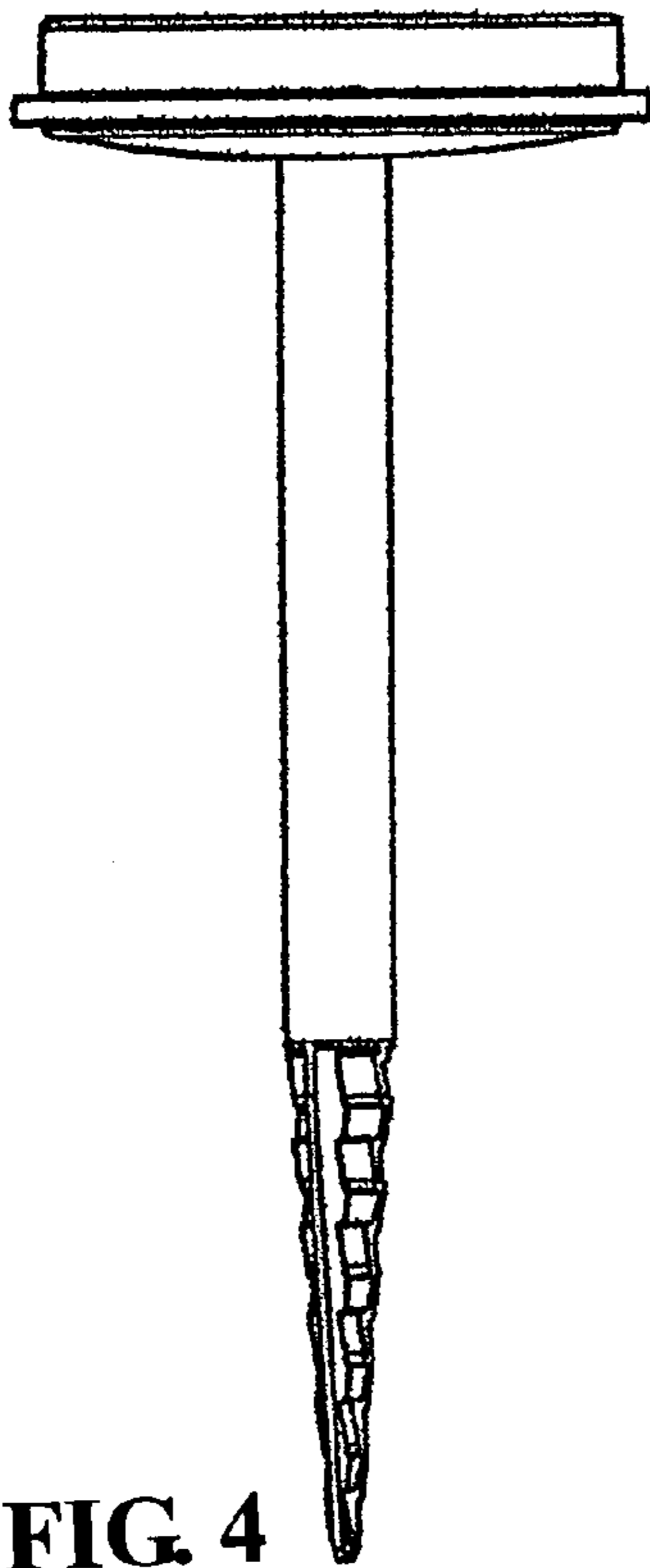


FIG. 4

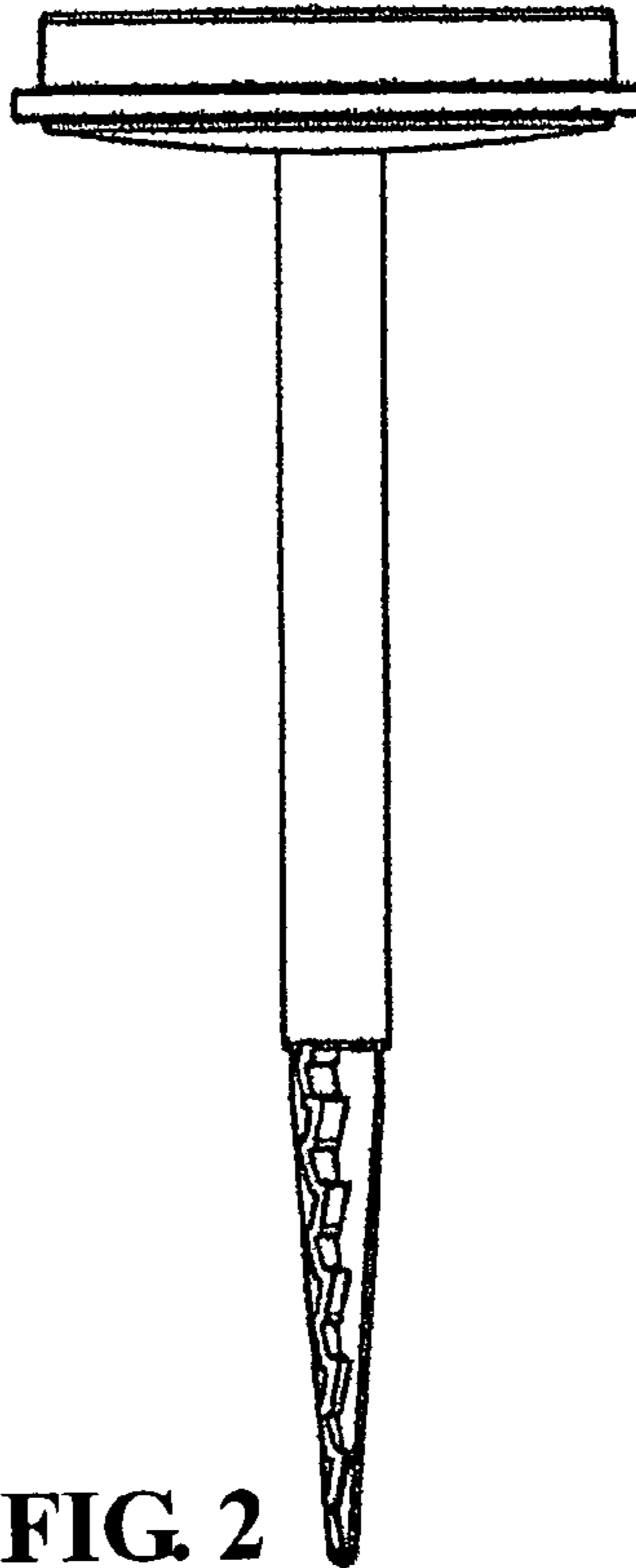


FIG. 2

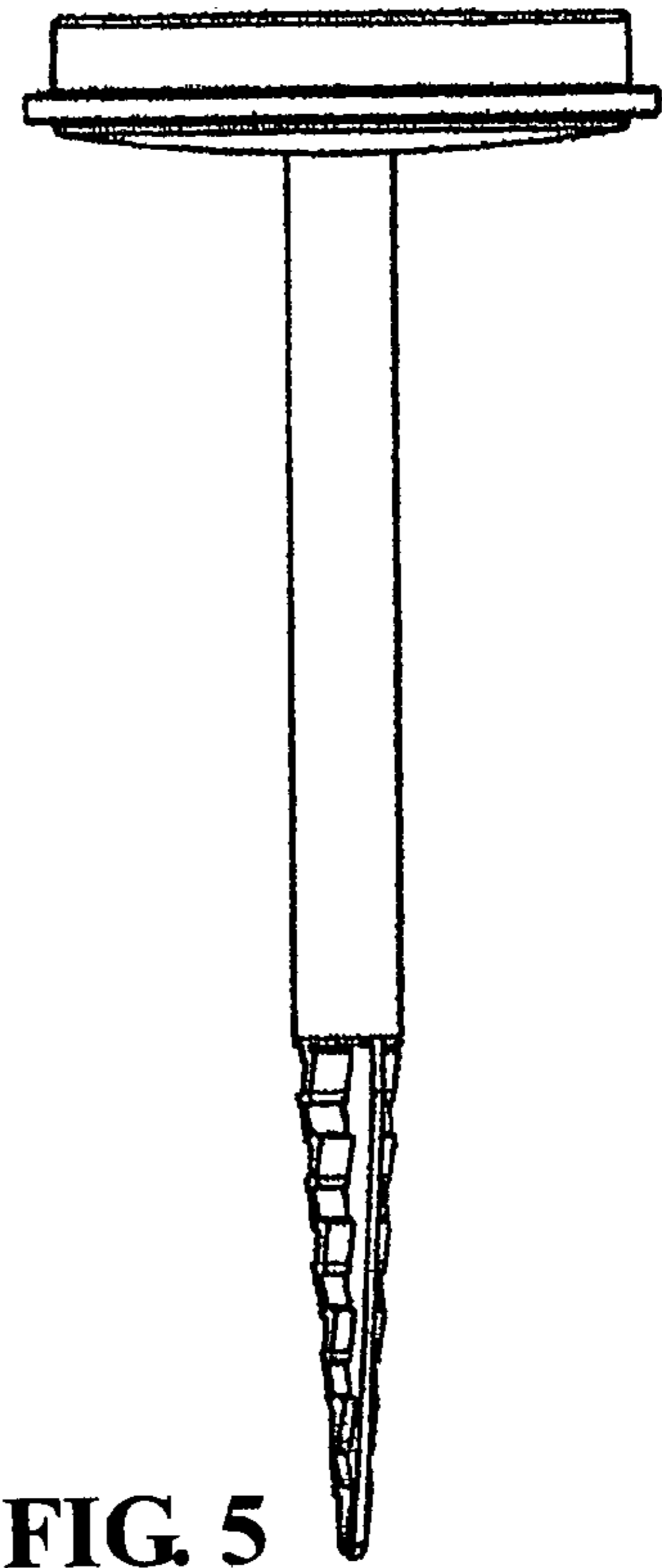


FIG. 5

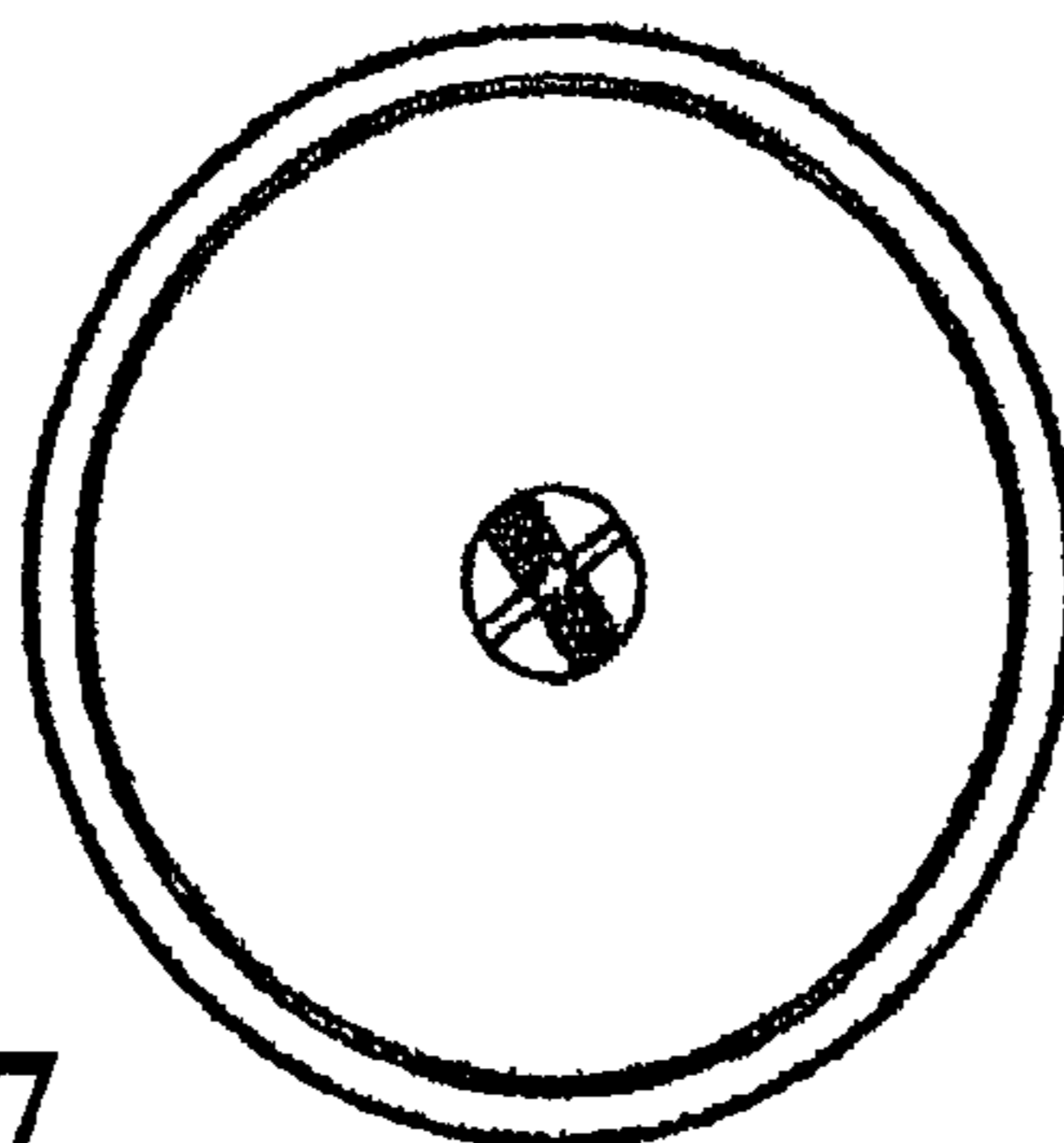


FIG. 7