



US00D555274S

(12) **United States Design Patent**  
**Iai et al.**

(10) **Patent No.:** **US D555,274 S**

(45) **Date of Patent:** **\*\* Nov. 13, 2007**

(54) **DESK LAMP**

D544,635 S \* 6/2007 Chen ..... D26/118

(75) Inventors: **Toru Iai**, Nishinomiya (JP); **Naruka Otsuki**, Nishinomiya (JP)

\* cited by examiner

(73) Assignee: **Matsushita Electric Works, Ltd.**,  
Osaka (JP)

*Primary Examiner*—Clare E Heflin

*Assistant Examiner*—Barbara Fox

(74) *Attorney, Agent, or Firm*—Osha Liang LLP

(\*\*) Term: **14 Years**

(57) **CLAIM**

(21) Appl. No.: **29/263,572**

The ornamental design for a desk lamp, as shown and described.

(22) Filed: **Jul. 26, 2006**

**DESCRIPTION**

(30) **Foreign Application Priority Data**

Feb. 20, 2006 (JP) ..... 2006-003880

FIG. 1 is a perspective view of the design according to the invention.

(51) **LOC (8) Cl.** ..... **26-05**

FIG. 2 is a front view of the design according to the invention.

(52) **U.S. Cl.** ..... **D26/65; D26/63**

(58) **Field of Classification Search** ..... D26/60–66,  
D26/107, 138, 142; 362/410, 411, 412, 413,  
362/414, 418, 427, 269, 275, 287, 419, 277,  
362/282, 285, 371, 804

FIG. 3 is a rear view of the design according to the invention.

FIG. 4 is a left side view of the design according to the invention.

See application file for complete search history.

FIG. 5 is a right side view of the design according to the invention.

(56) **References Cited**

**U.S. PATENT DOCUMENTS**

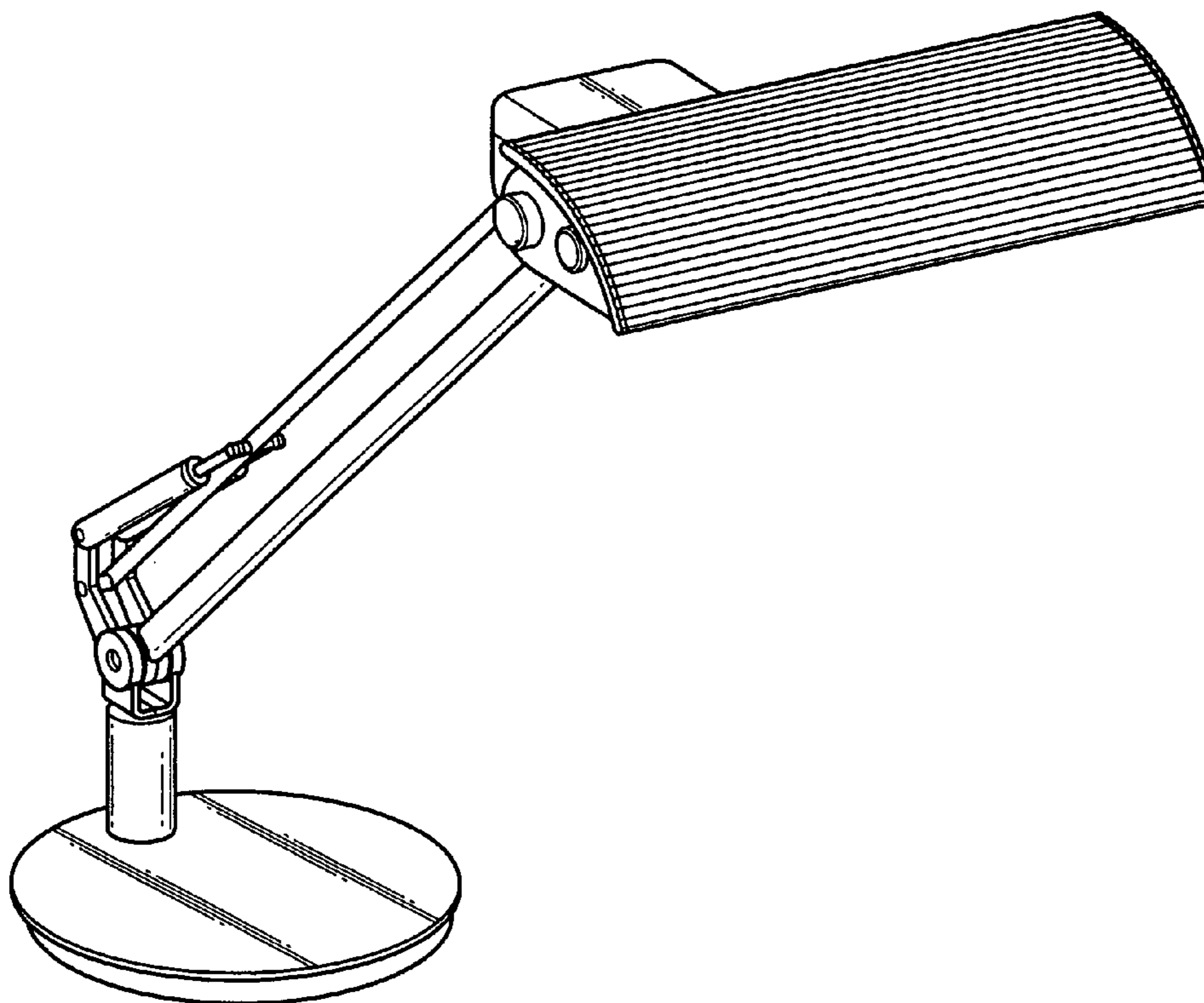
- D176,549 S \* 1/1956 Mugnai ..... D26/65
- D322,329 S \* 12/1991 Ma ..... D26/63
- D414,578 S \* 9/1999 Chen et al. .... D26/65
- D473,336 S \* 4/2003 Huang ..... D26/138
- D500,380 S \* 12/2004 Chen ..... D26/65

FIG. 6 is a top view of the design according to the invention.

FIG. 7 is a bottom view of the design according to the invention; and,

FIG. 8 is a cross-sectional view of the design taken along Line 8—8 of FIG. 2.

**1 Claim, 8 Drawing Sheets**



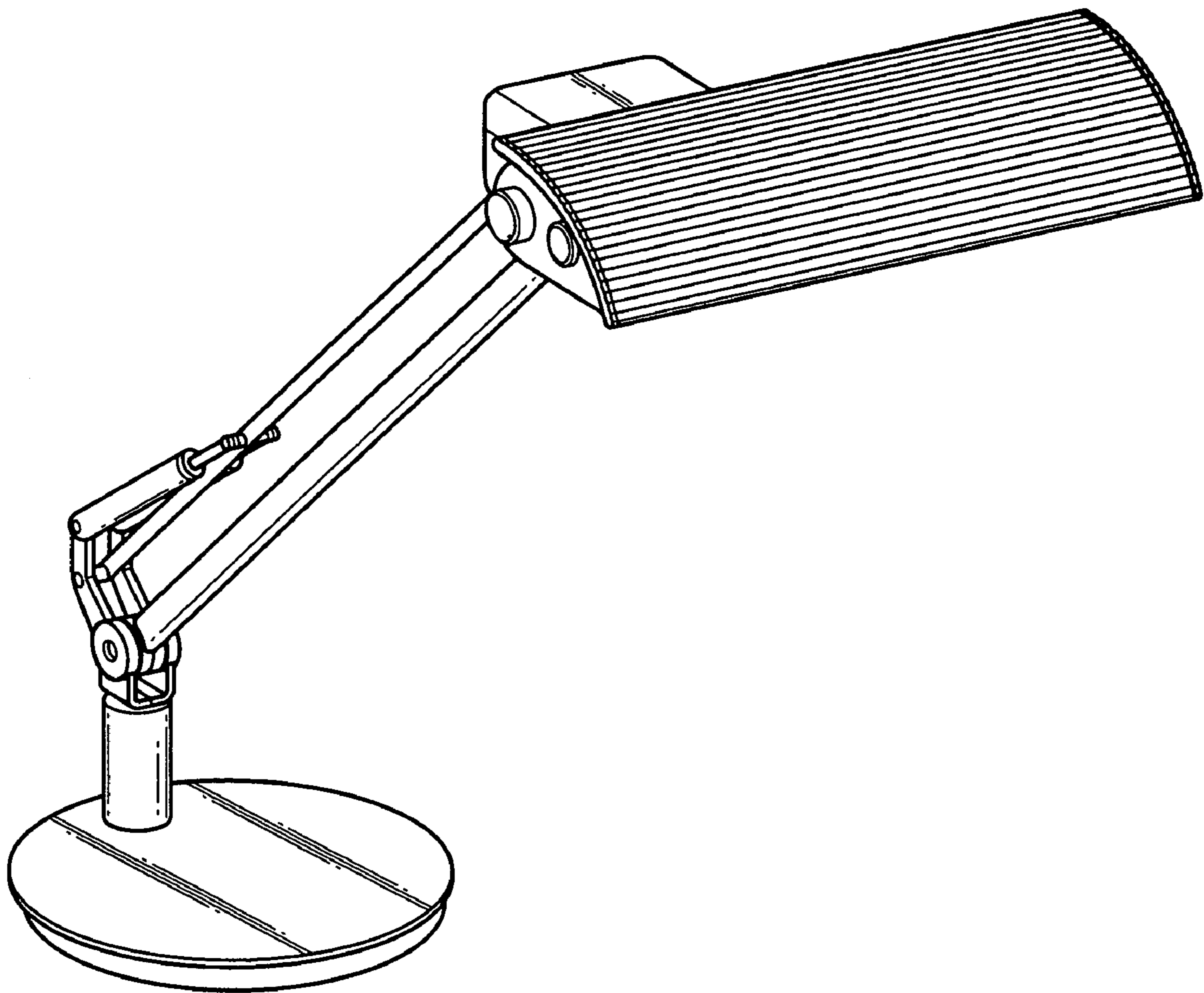
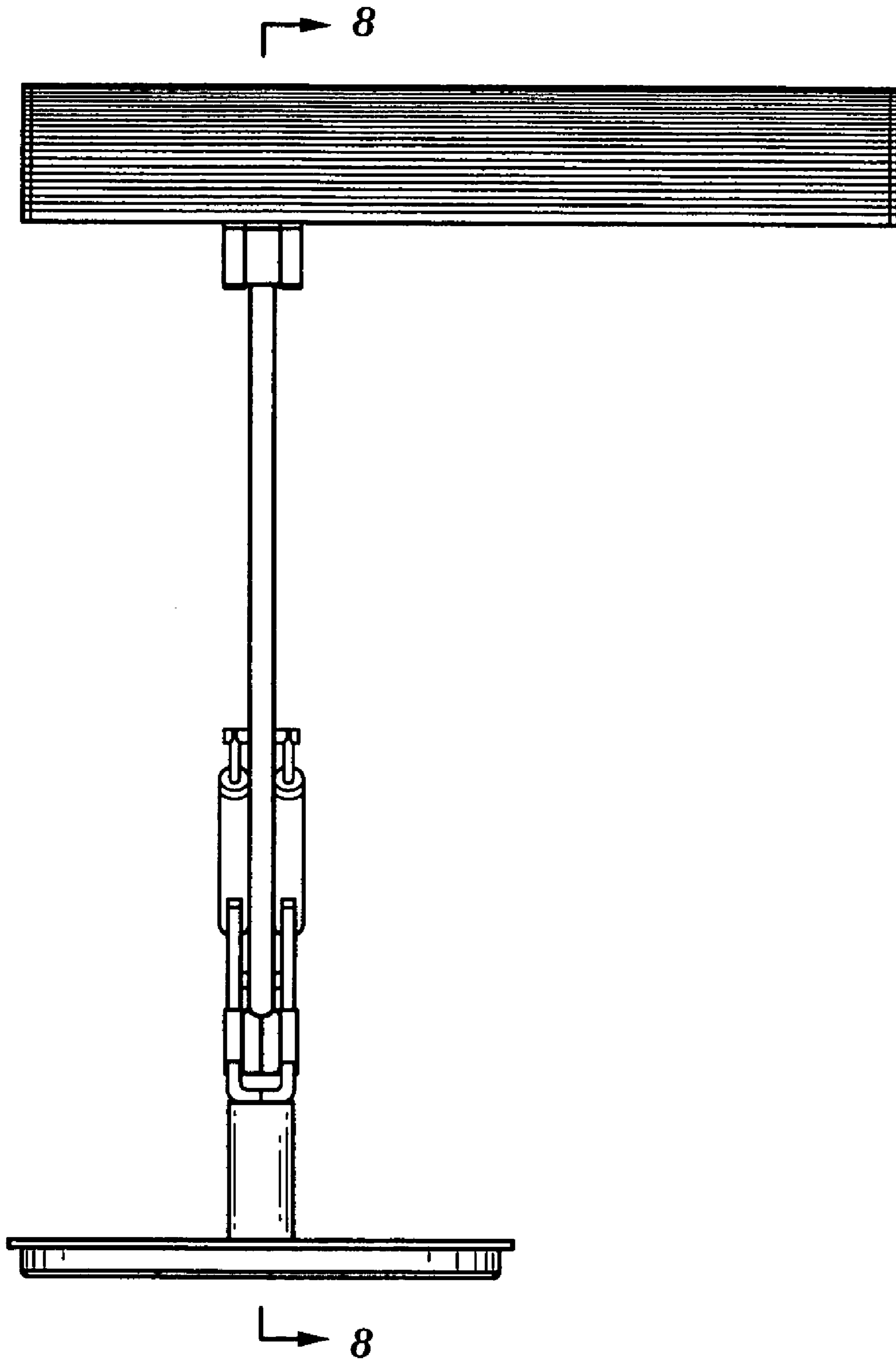
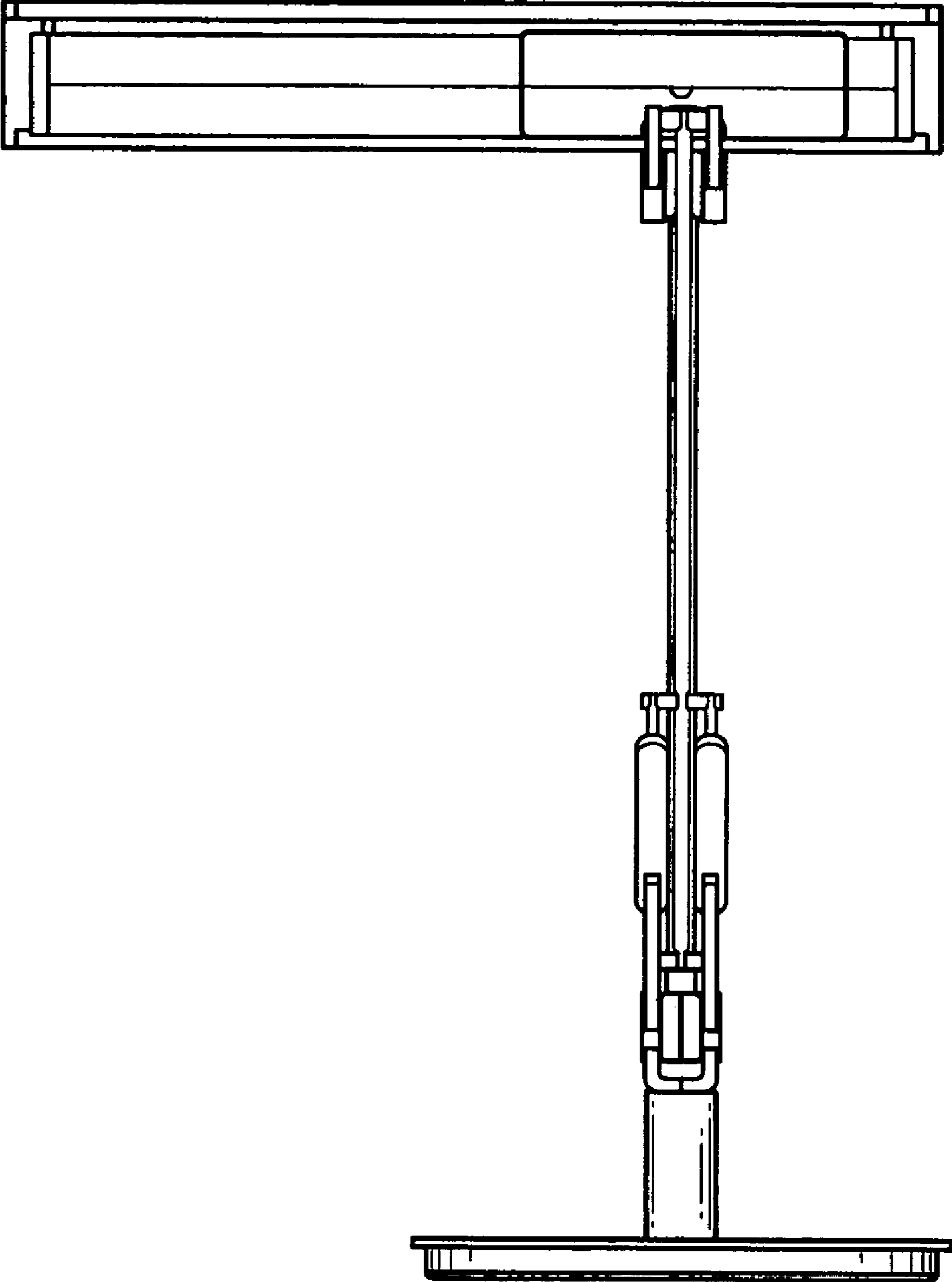


FIG. 1



**FIG. 2**



**FIG. 3**

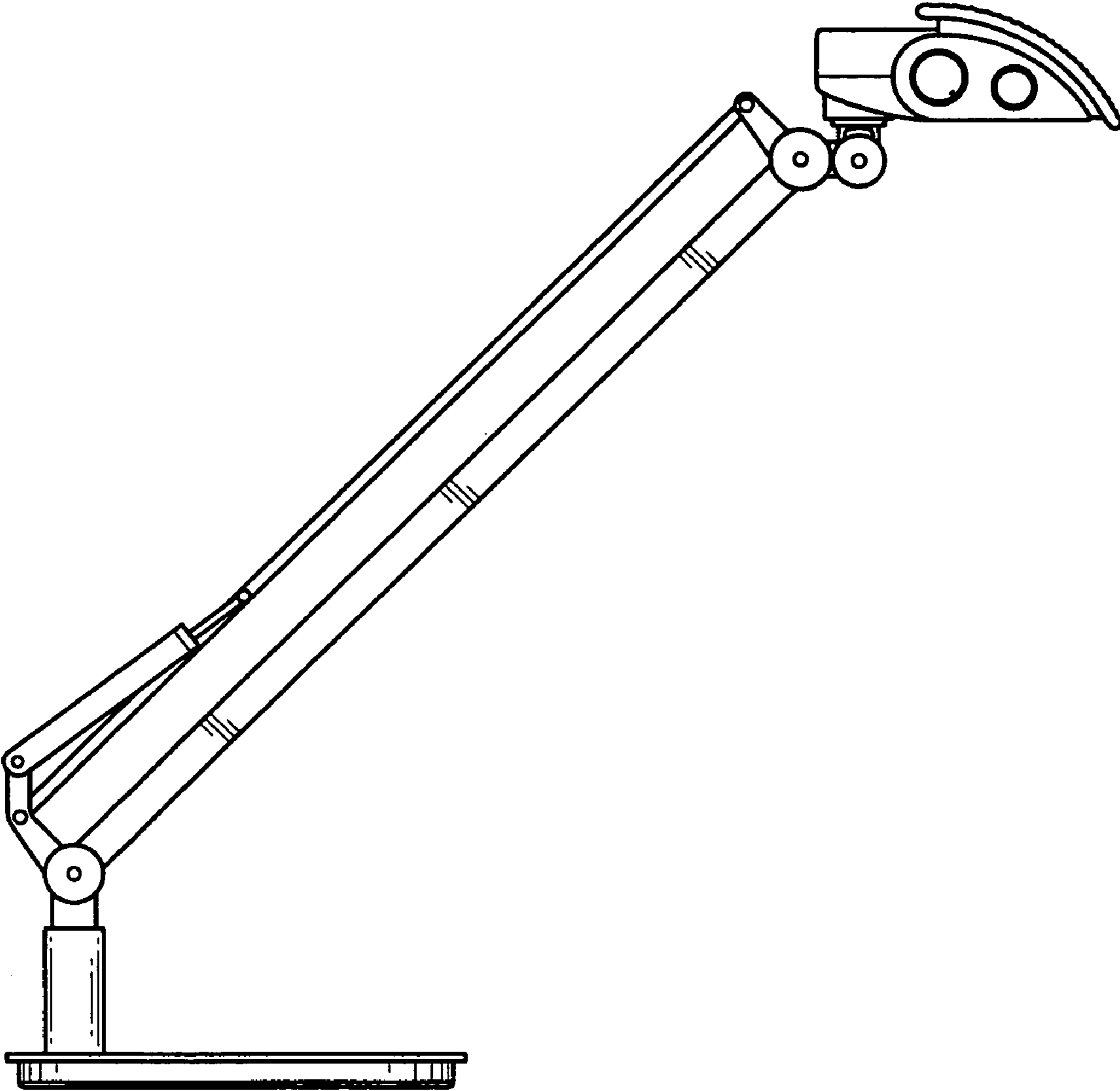


FIG. 4

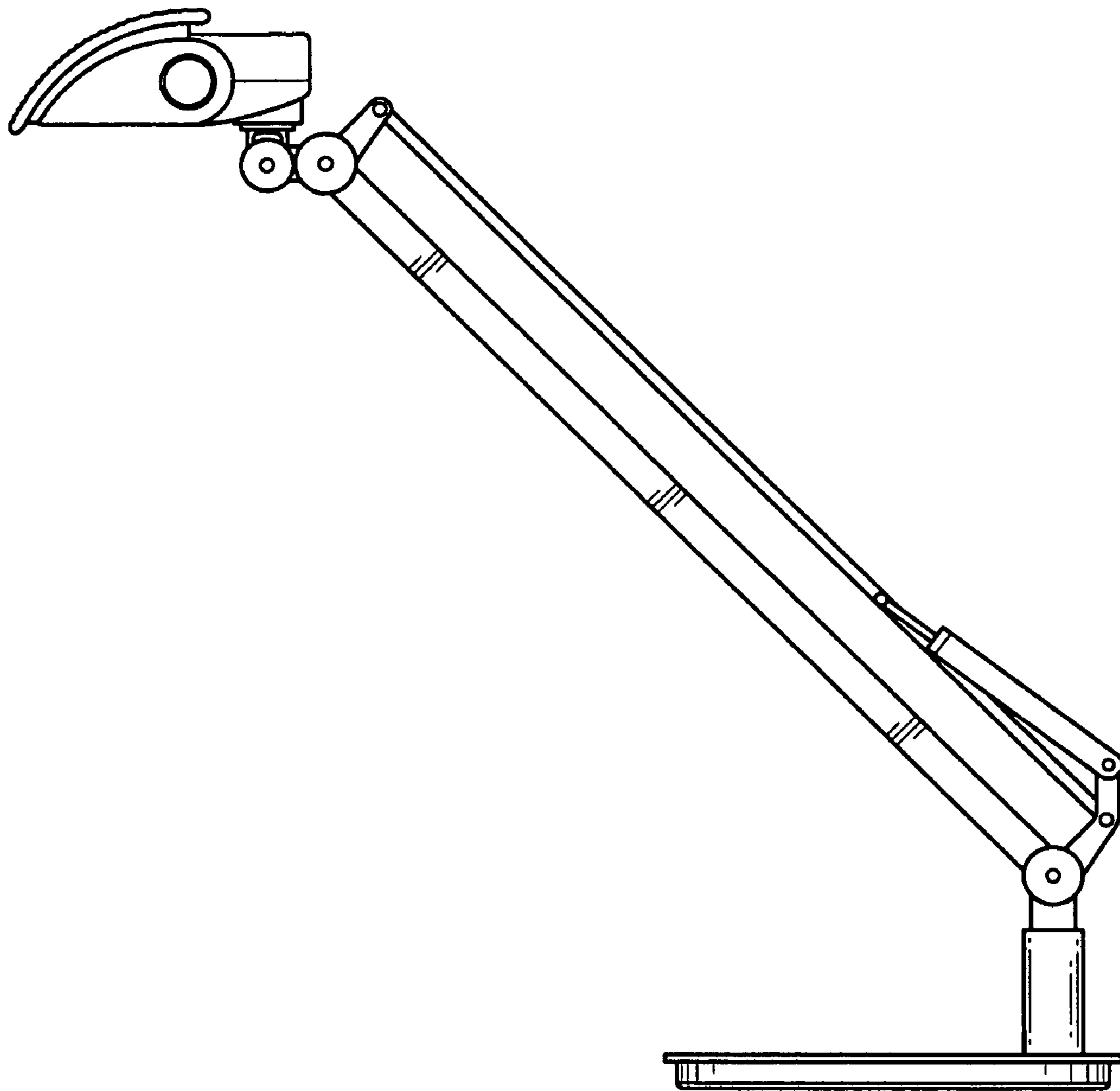
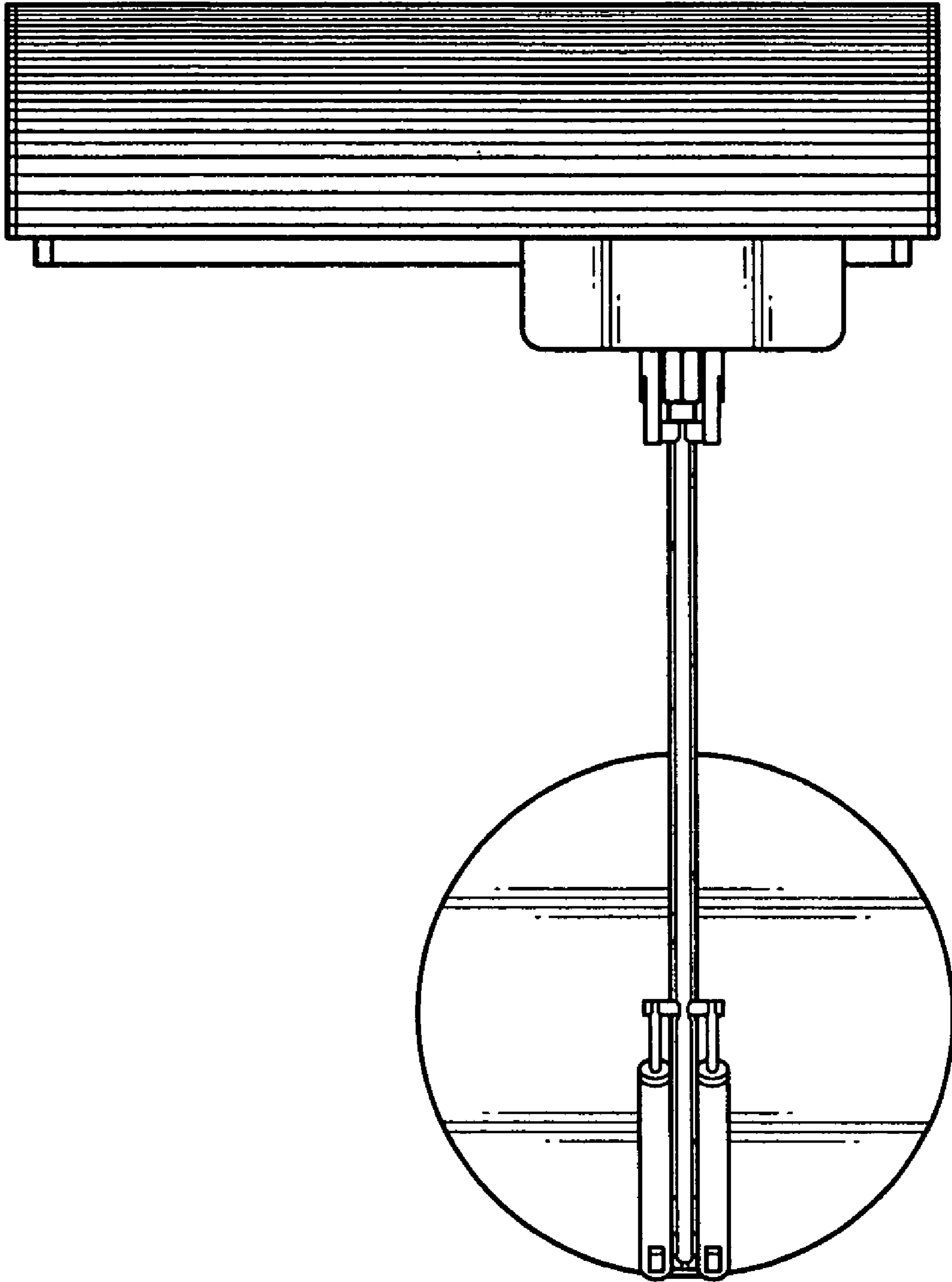
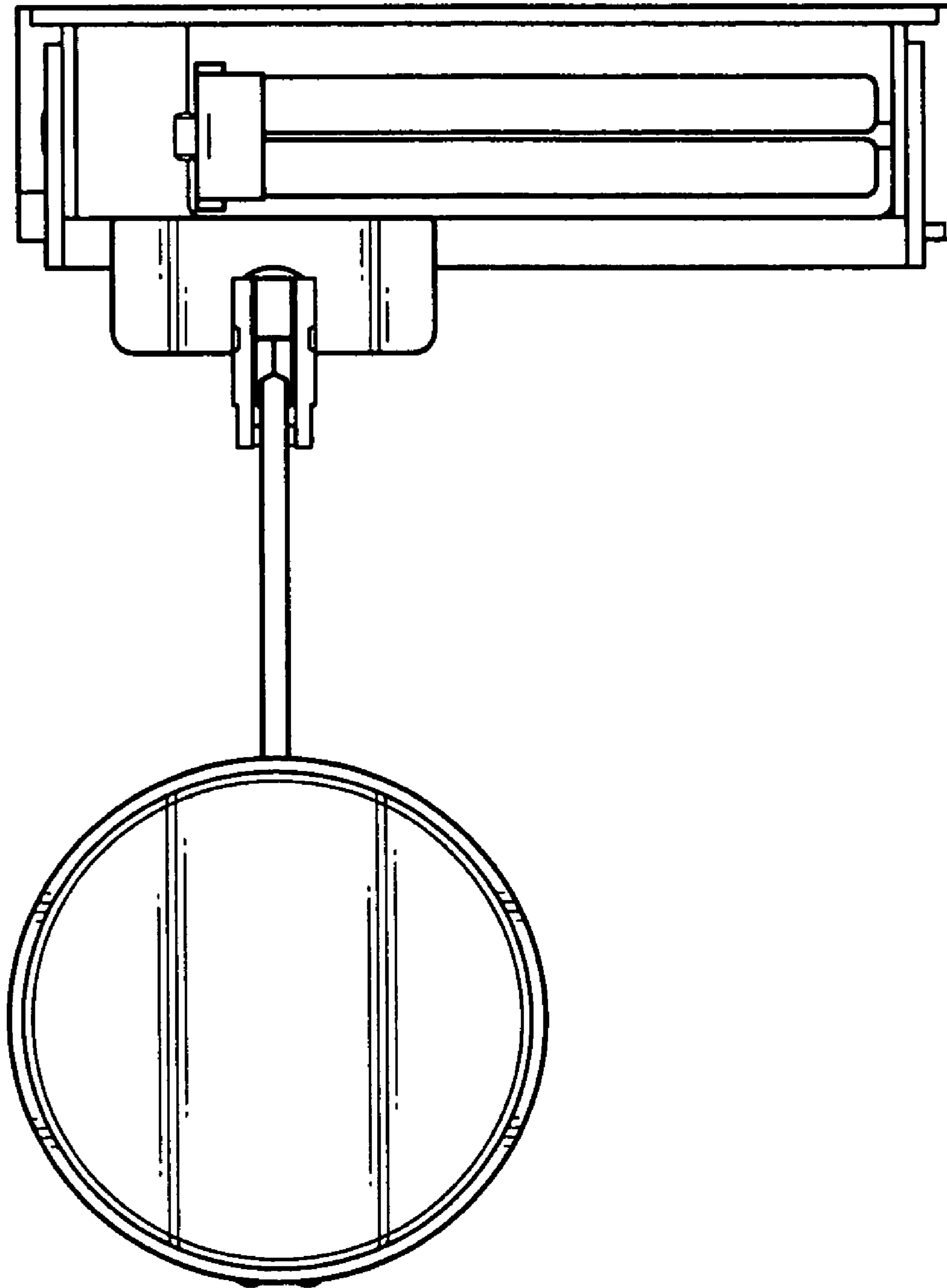


FIG. 5



**FIG. 6**



**FIG. 7**



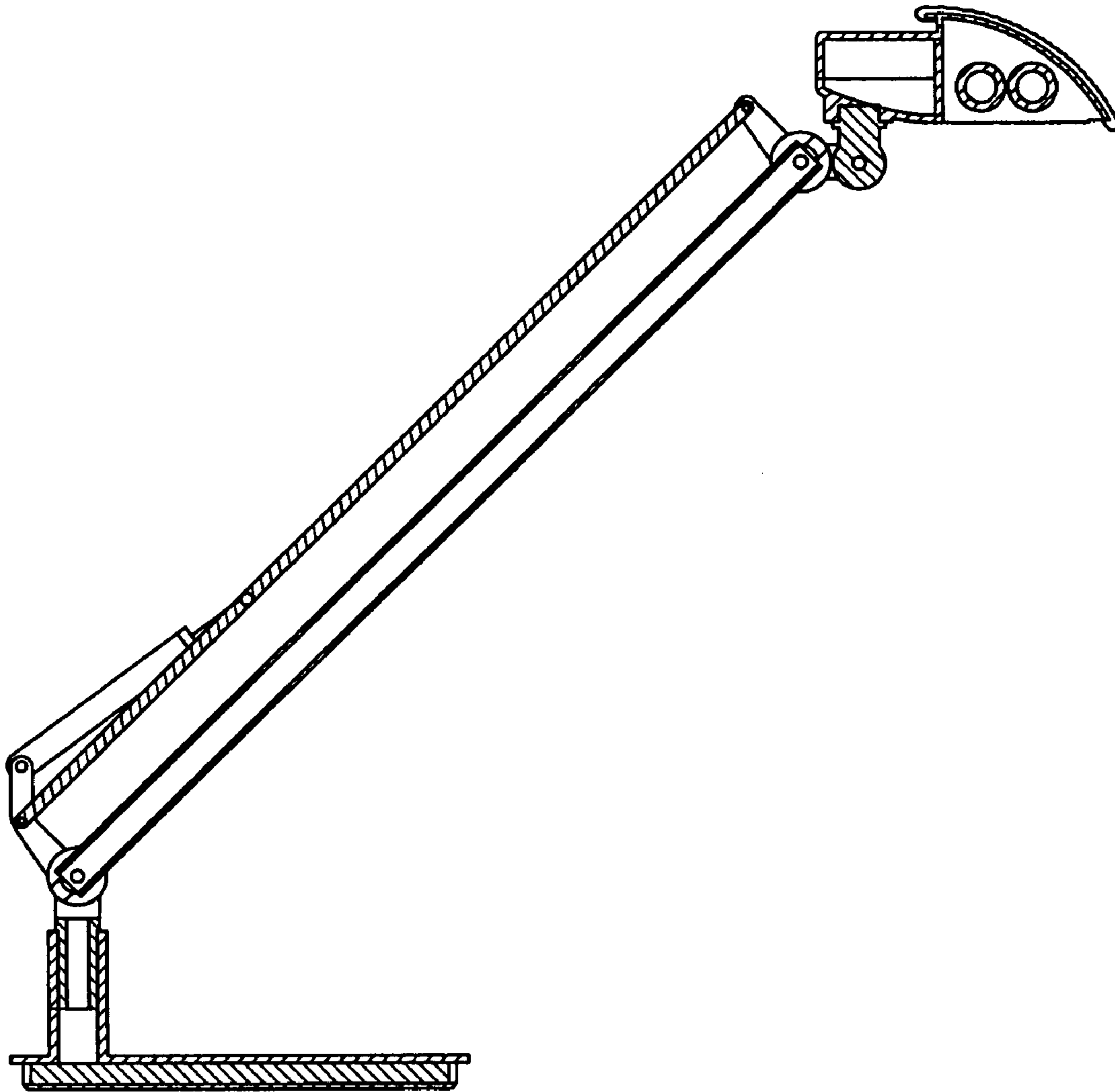


FIG. 8