



US00D555270S

(12) **United States Design Patent**
Ertze

(10) **Patent No.:** **US D555,270 S**

(45) **Date of Patent:** **** Nov. 13, 2007**

(54) **CEILING FAN LIGHT KIT**

D532,139 S * 11/2006 Shurtleff D26/59

(75) Inventor: **Pablo J. Ertze**, Rancho Cucamonga,
CA (US)

* cited by examiner

Primary Examiner—Lisa Lichtenstein

(73) Assignee: **Landmark Enterprise Inc.** (BN)

(74) *Attorney, Agent, or Firm*—Troxell Law Office, PLLC

(**) Term: **14 Years**

(57) **CLAIM**

(21) Appl. No.: **29/262,950**

I claim the ornamental design for a ceiling fan light kit, as shown and described.

(22) Filed: **Jul. 14, 2006**

DESCRIPTION

(51) **LOC (8) Cl.** **26-05**

FIG. 1 is a front perspective view of a ceiling fan light kit showing my new design;

(52) **U.S. Cl.** **D26/59**

FIG. 2 is a front elevational view thereof;

(58) **Field of Classification Search** D23/411,
D23/377, 379, 385; D26/59, 51, 72, 81–86,
D26/88; 416/5; 362/96

FIG. 3 is a rear elevational view thereof.

See application file for complete search history.

FIG. 4 is a left side elevational view thereof;

FIG. 5 is a right side elevational view thereof;

(56) **References Cited**

U.S. PATENT DOCUMENTS

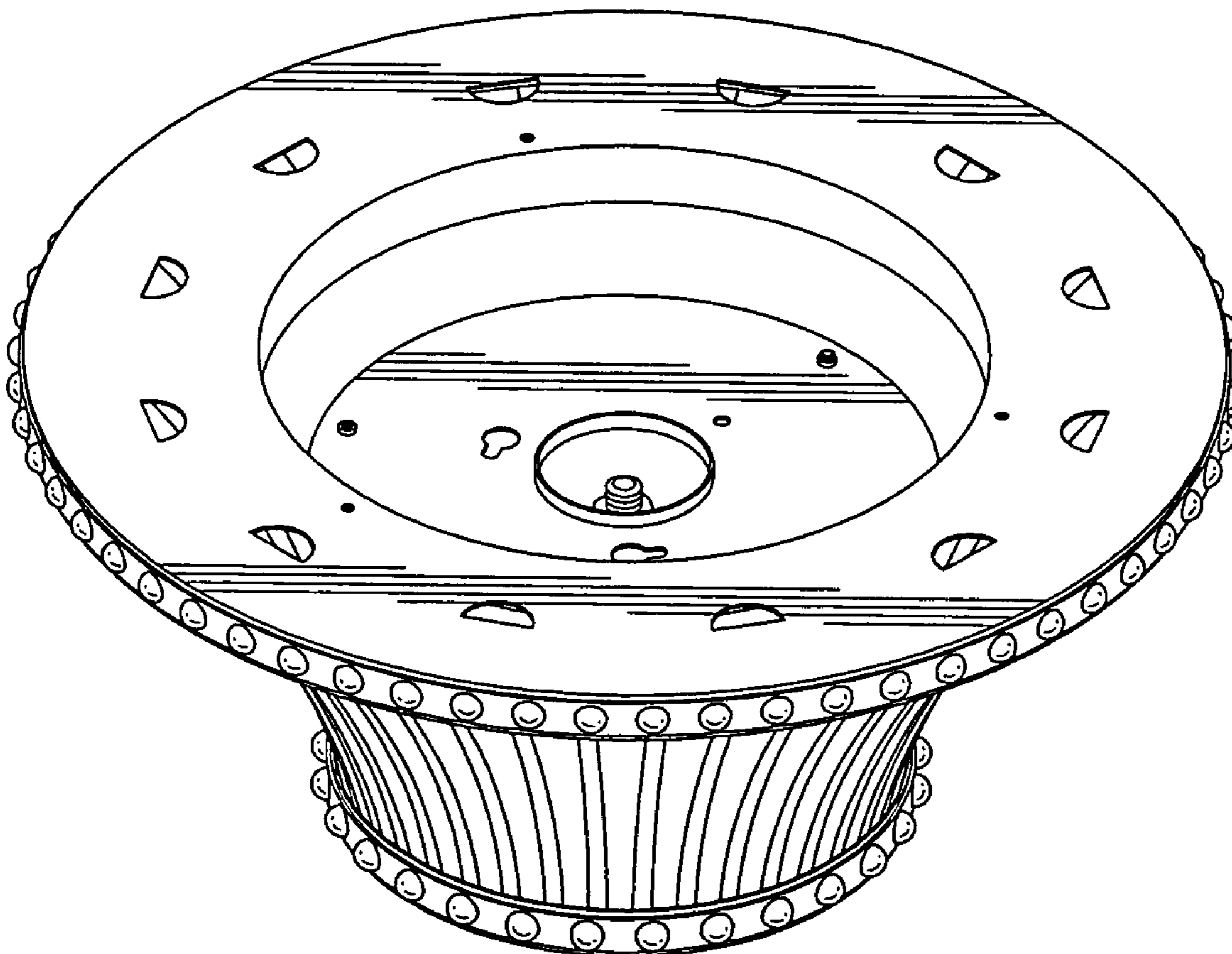
FIG. 6 is a top plan view thereof; and,

FIG. 7 is a bottom plan view thereof.

D376,441 S * 12/1996 Dolan D26/81

D418,914 S * 1/2000 Zuege D23/411

1 Claim, 5 Drawing Sheets



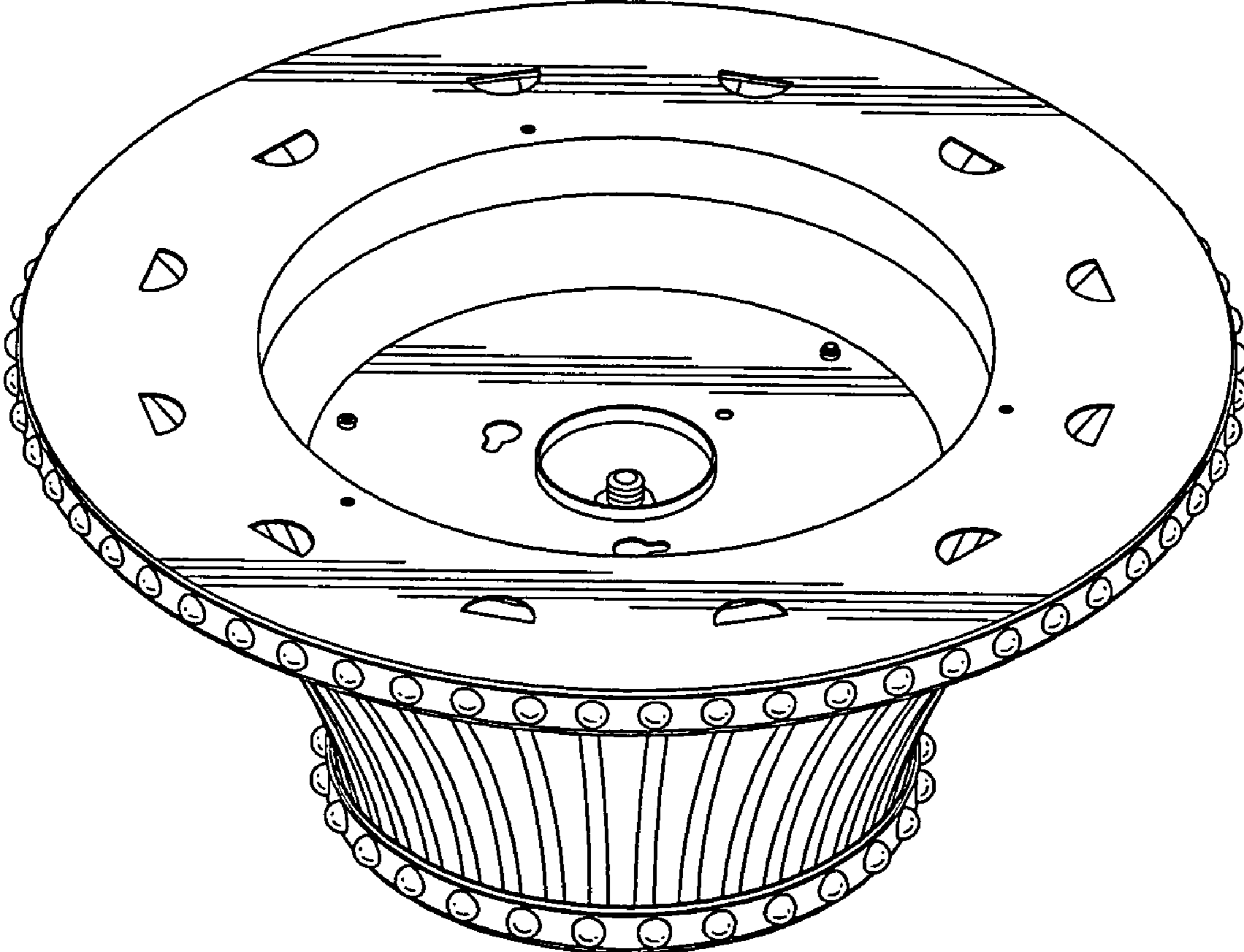


FIG. 1

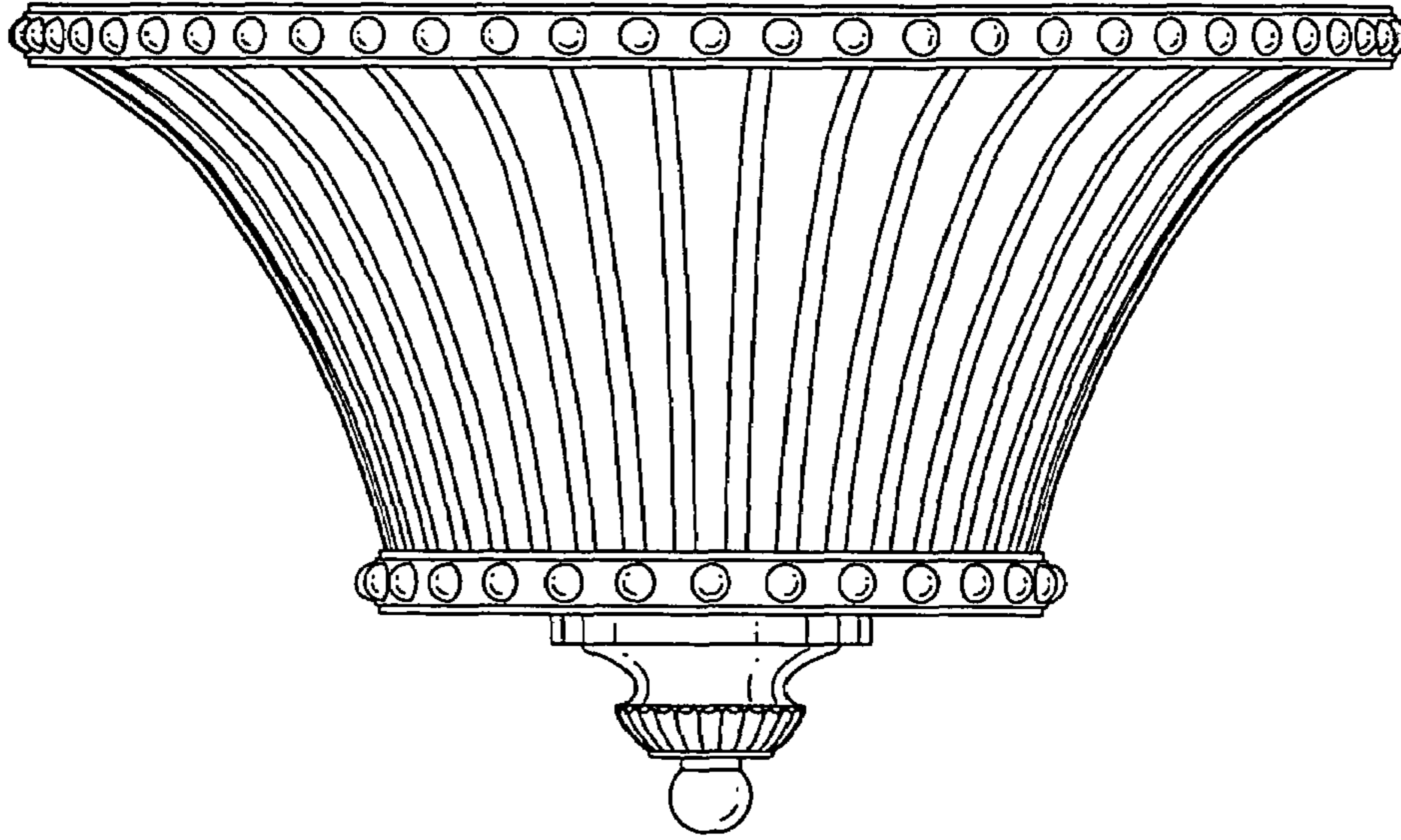


FIG. 2

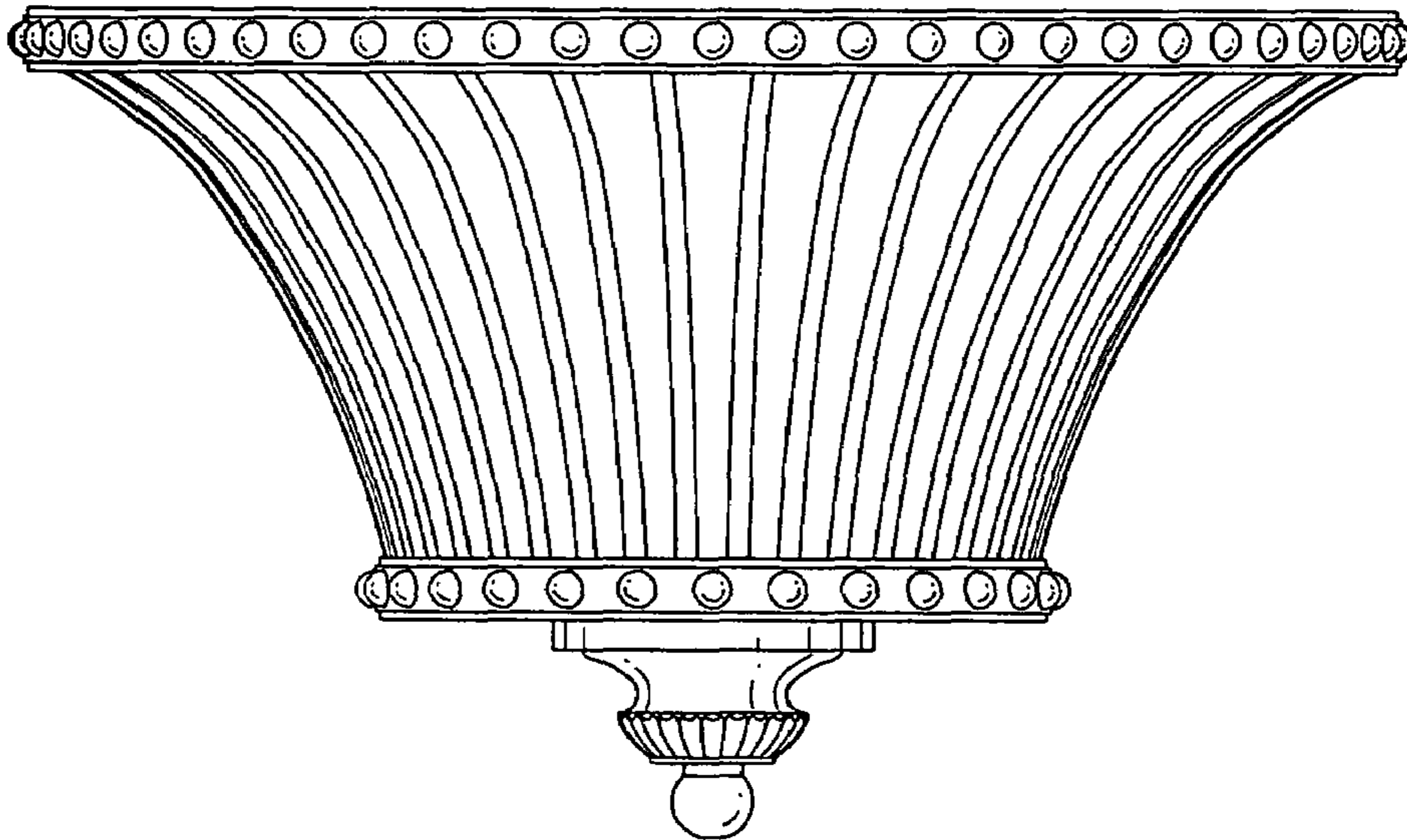


FIG. 3

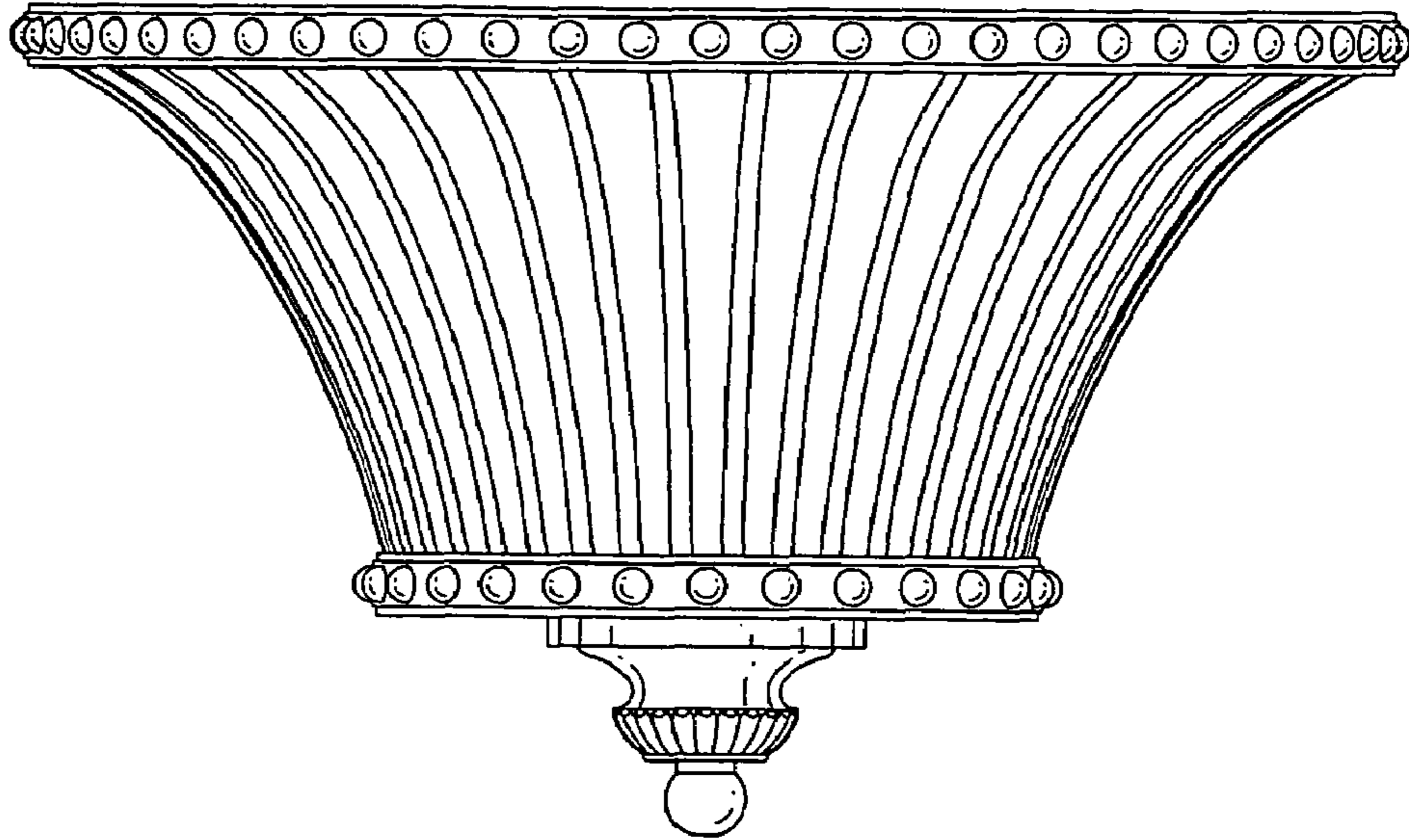


FIG. 4

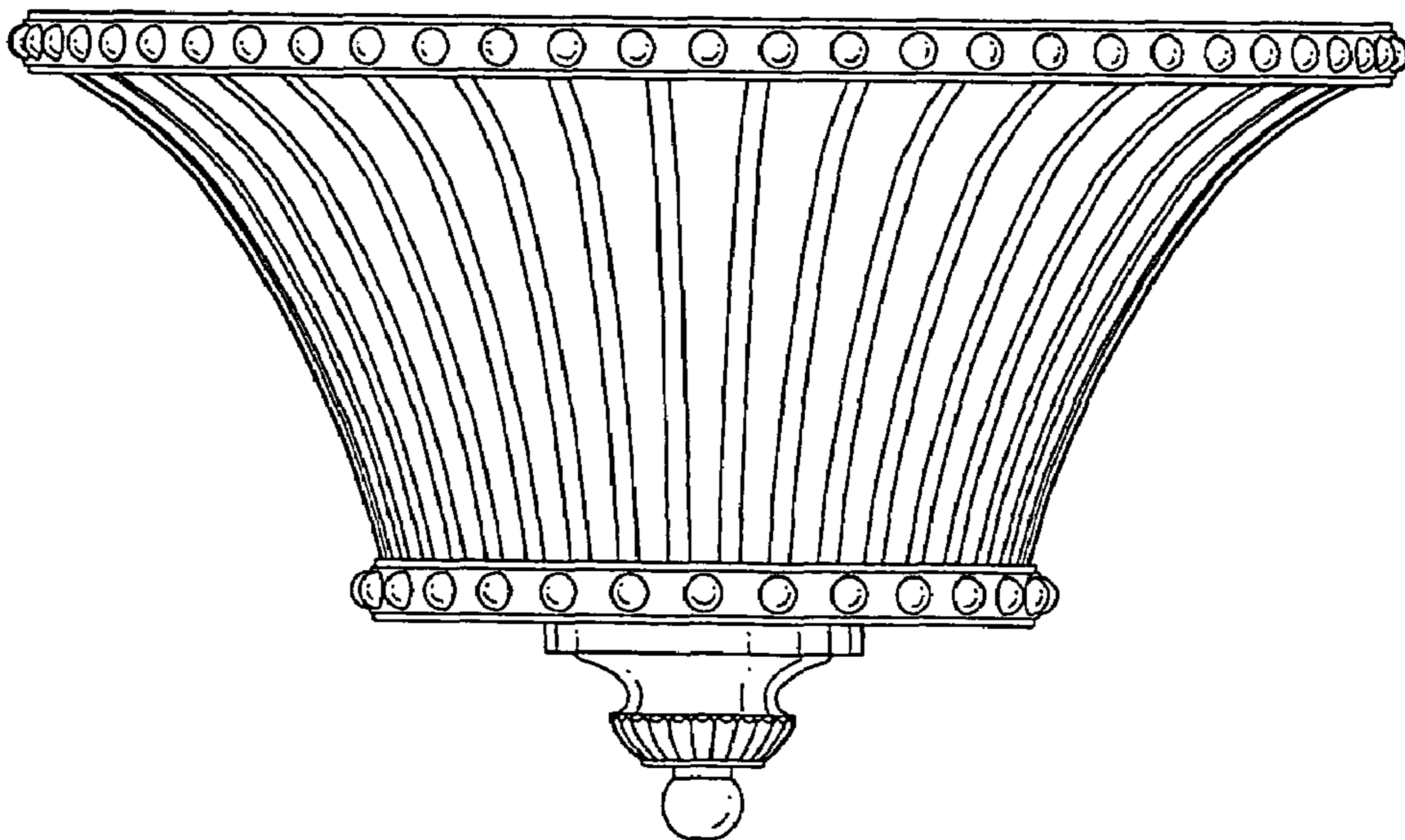


FIG. 5

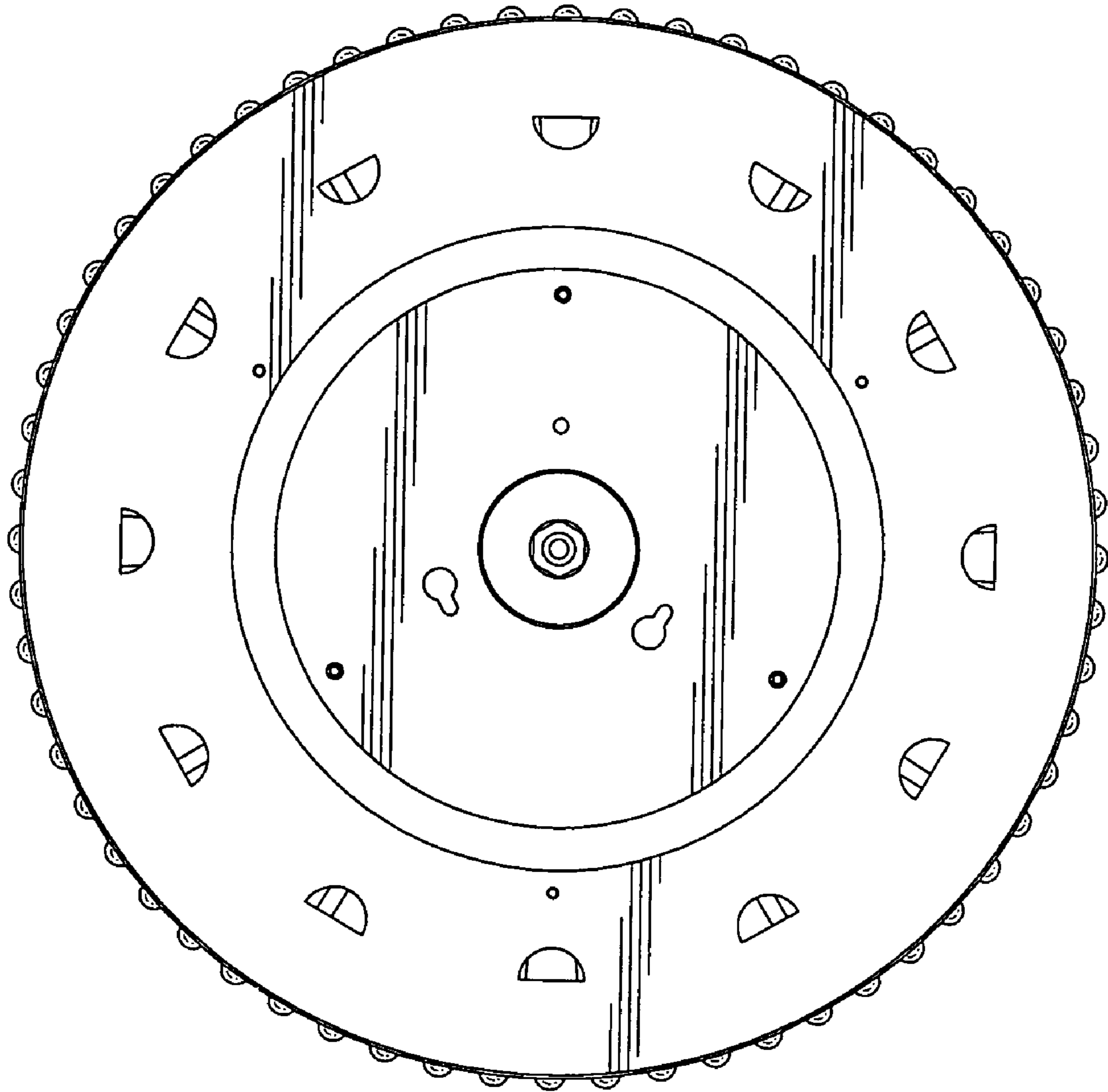


FIG. 6

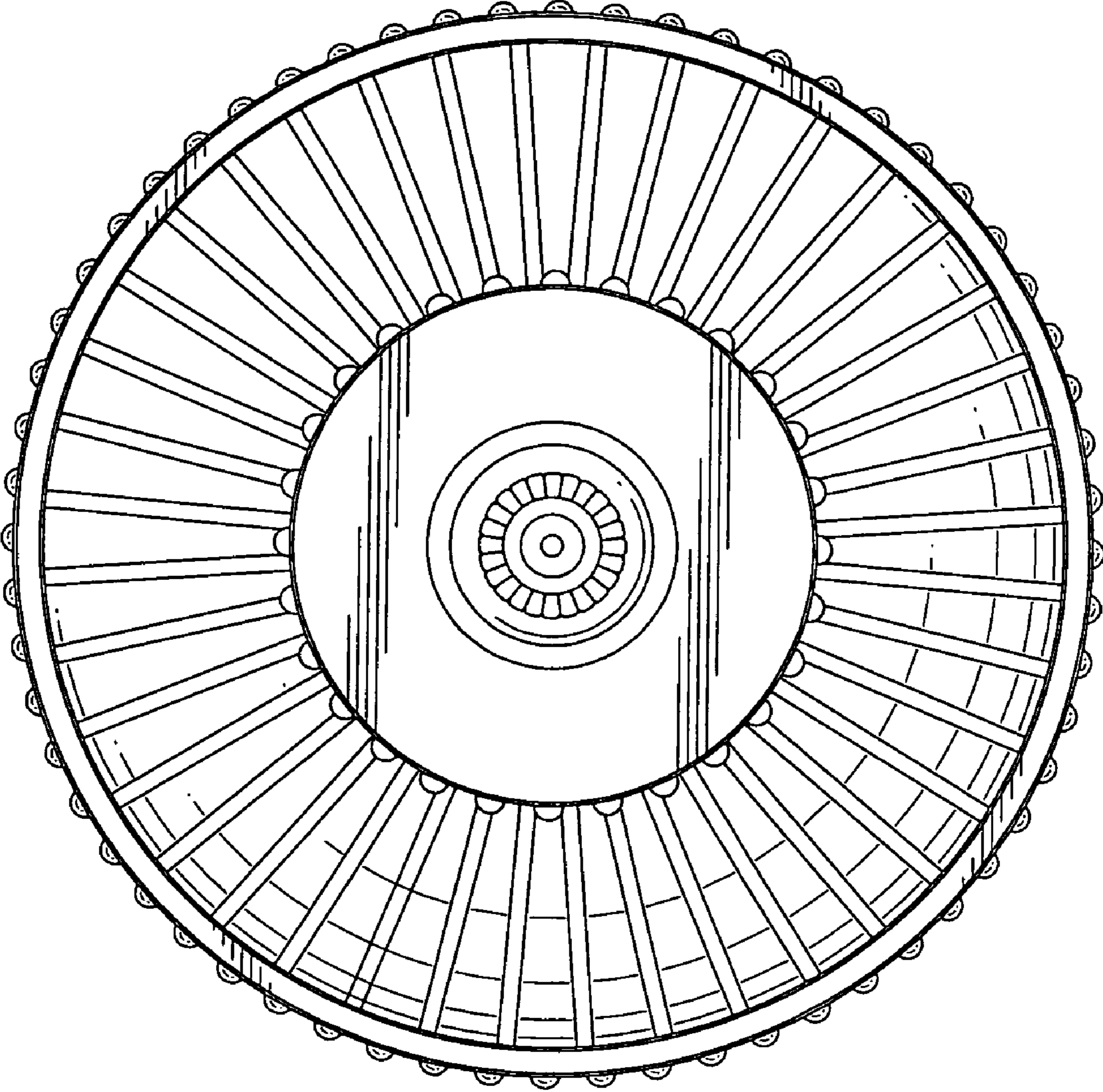


FIG. 7