



US00D555269S

(12) **United States Design Patent**  
**Ertze**

(10) **Patent No.:** **US D555,269 S**

(45) **Date of Patent:** **\*\* Nov. 13, 2007**

(54) **CEILING FAN LIGHT KIT**

D539,967 S \* 4/2007 Hsu ..... D26/89

(75) Inventor: **Pablo J. Ertze**, Rancho Cucamonga,  
CA (US)

\* cited by examiner

*Primary Examiner*—Lisa Lichtenstein

(73) Assignee: **Landmark Enterprise Inc.** (BN)

(74) *Attorney, Agent, or Firm*—Troxell Law Office, PLLC

(\*\*) Term: **14 Years**

(57) **CLAIM**

(21) Appl. No.: **29/262,944**

I claim the ornamental design for a ceiling fan light kit, as shown and described.

(22) Filed: **Jul. 14, 2006**

**DESCRIPTION**

(51) **LOC (8) Cl.** ..... **26-05**

(52) **U.S. Cl.** ..... **D26/59**

(58) **Field of Classification Search** ..... D23/411,  
D23/377, 379, 385; D26/59, 51, 72, 81–86,  
D26/88; 416/5; 362/96

See application file for complete search history.

FIG. 1 is a front perspective view of a ceiling fan light kit showing my new design;

FIG. 2 is a front elevational view thereof;

FIG. 3 is a rear elevational view thereof.

FIG. 4 is a left side elevational view thereof;

FIG. 5 is a right side elevational view thereof;

FIG. 6 is a top plan view thereof; and,

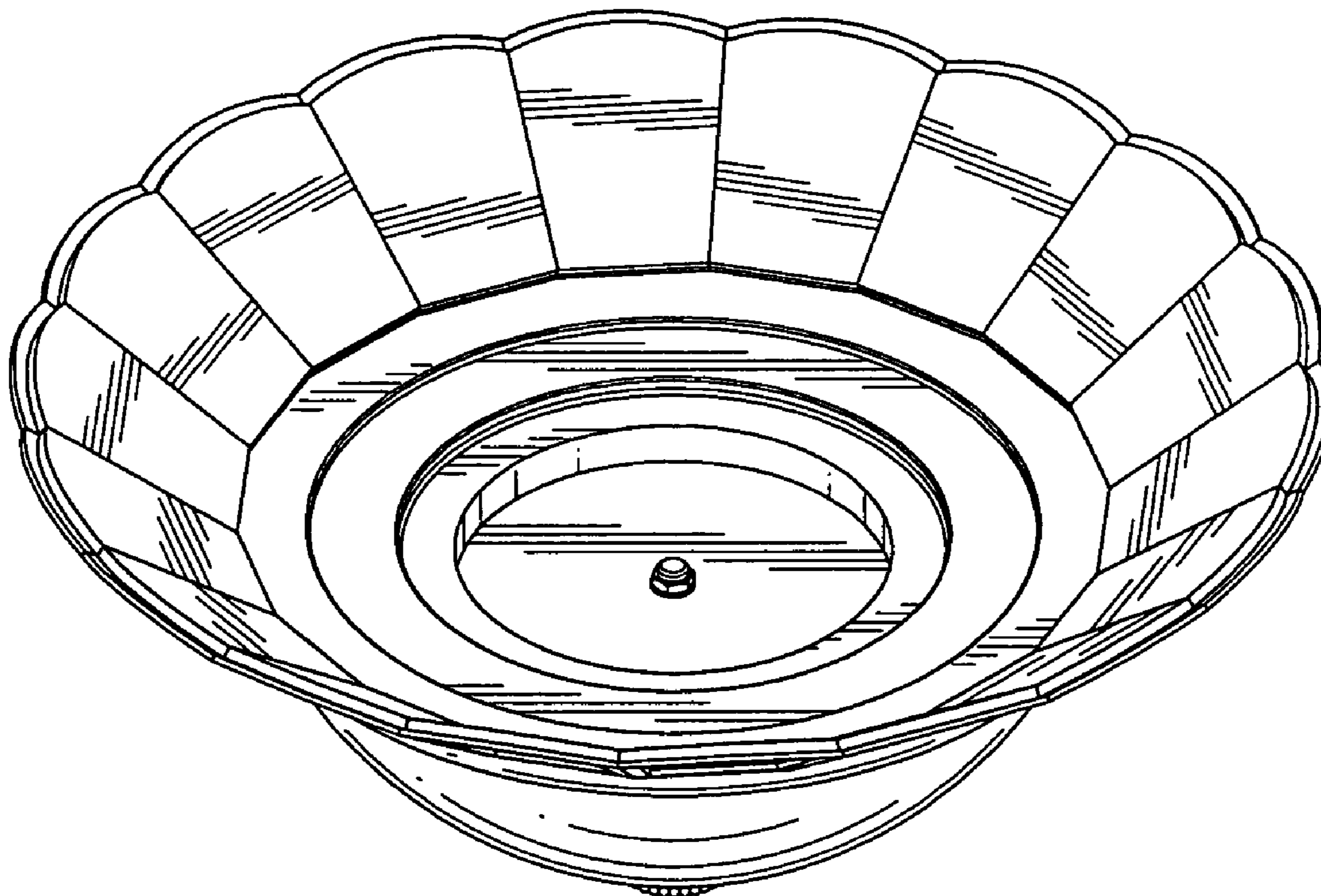
FIG. 7 is a bottom plan view thereof.

(56) **References Cited**

**U.S. PATENT DOCUMENTS**

- D443,714 S \* 6/2001 Pan ..... D26/85
- D459,524 S \* 6/2002 Dolan ..... D6/86
- D503,992 S \* 4/2005 Curtin ..... D26/88

**1 Claim, 5 Drawing Sheets**



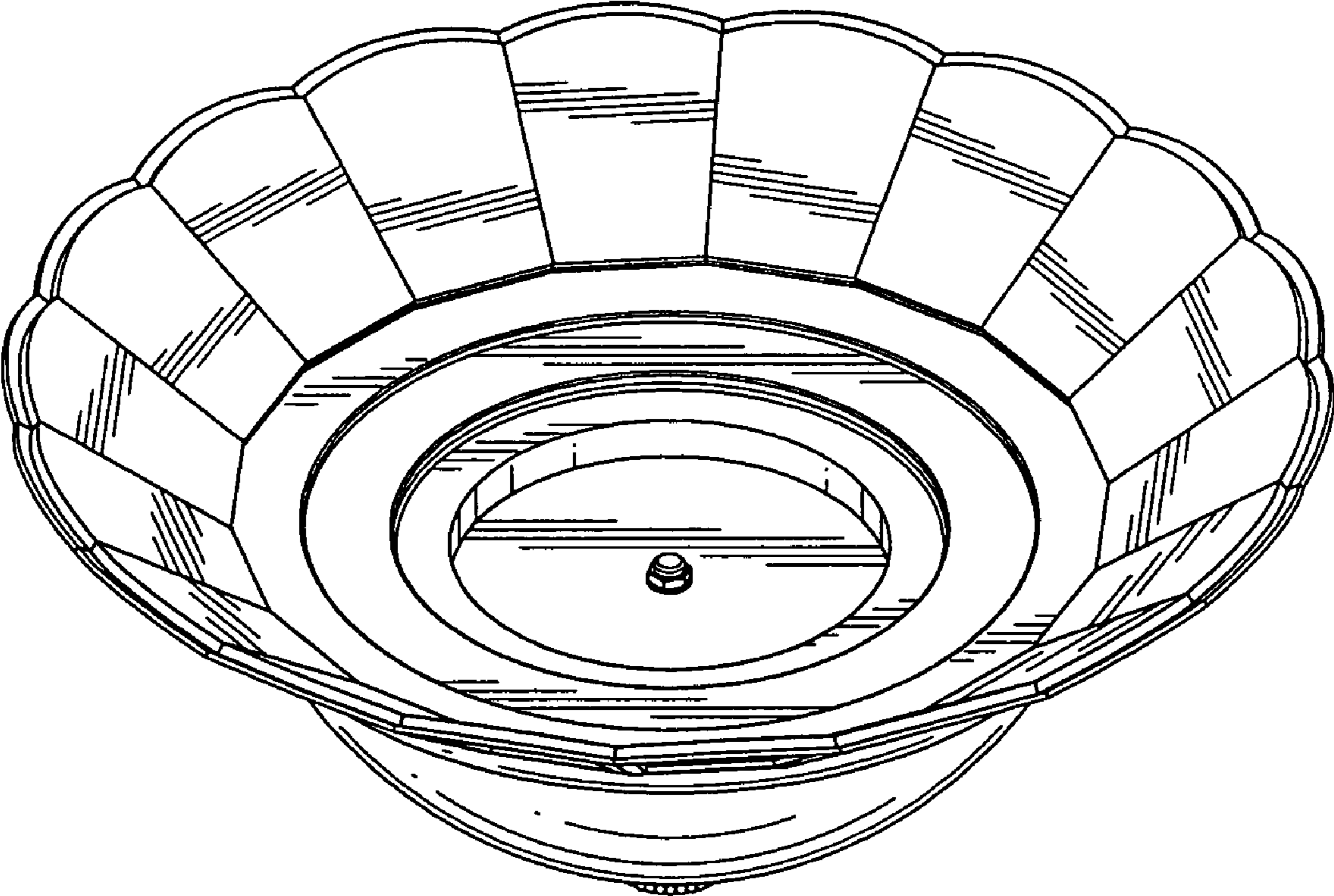


FIG. 1

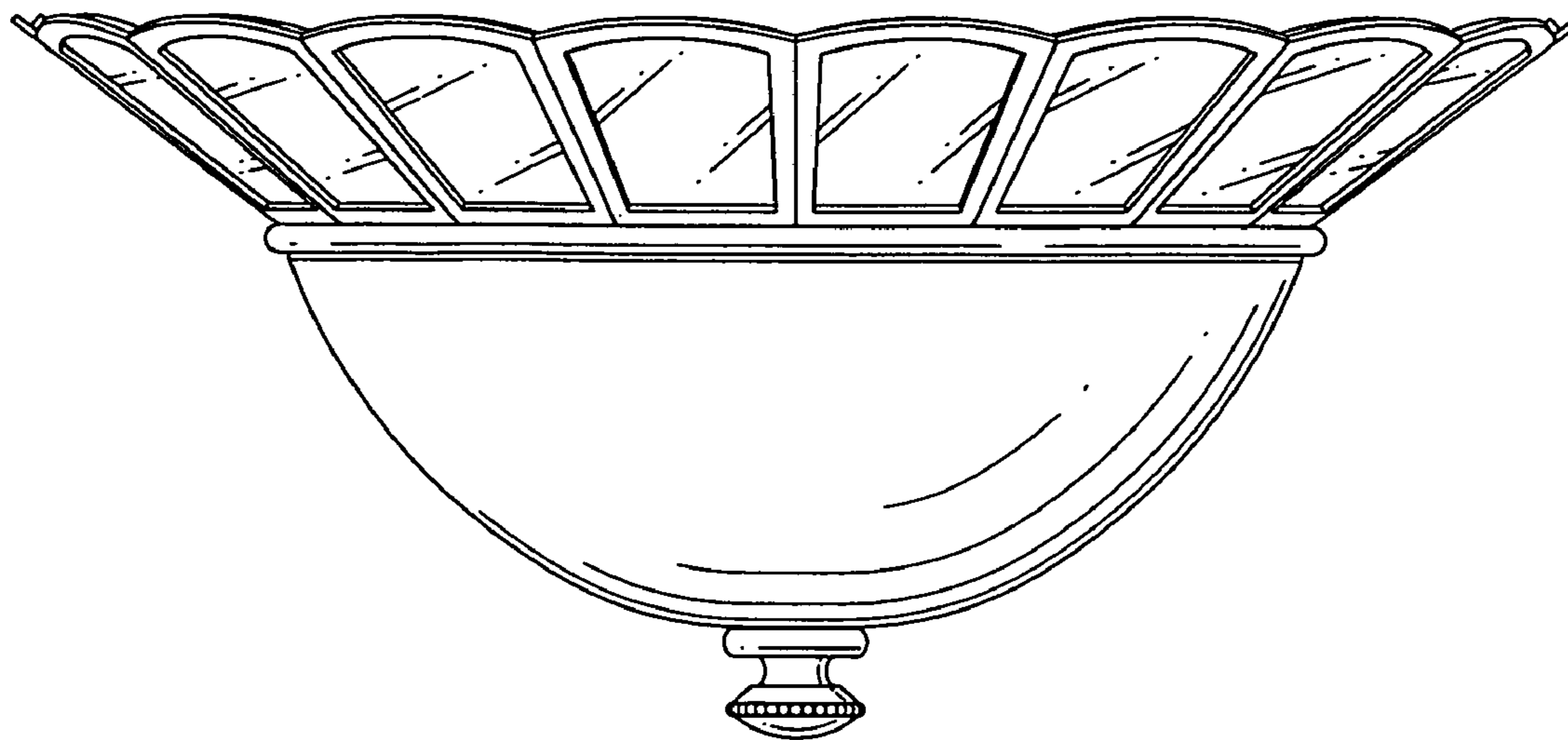


FIG. 2

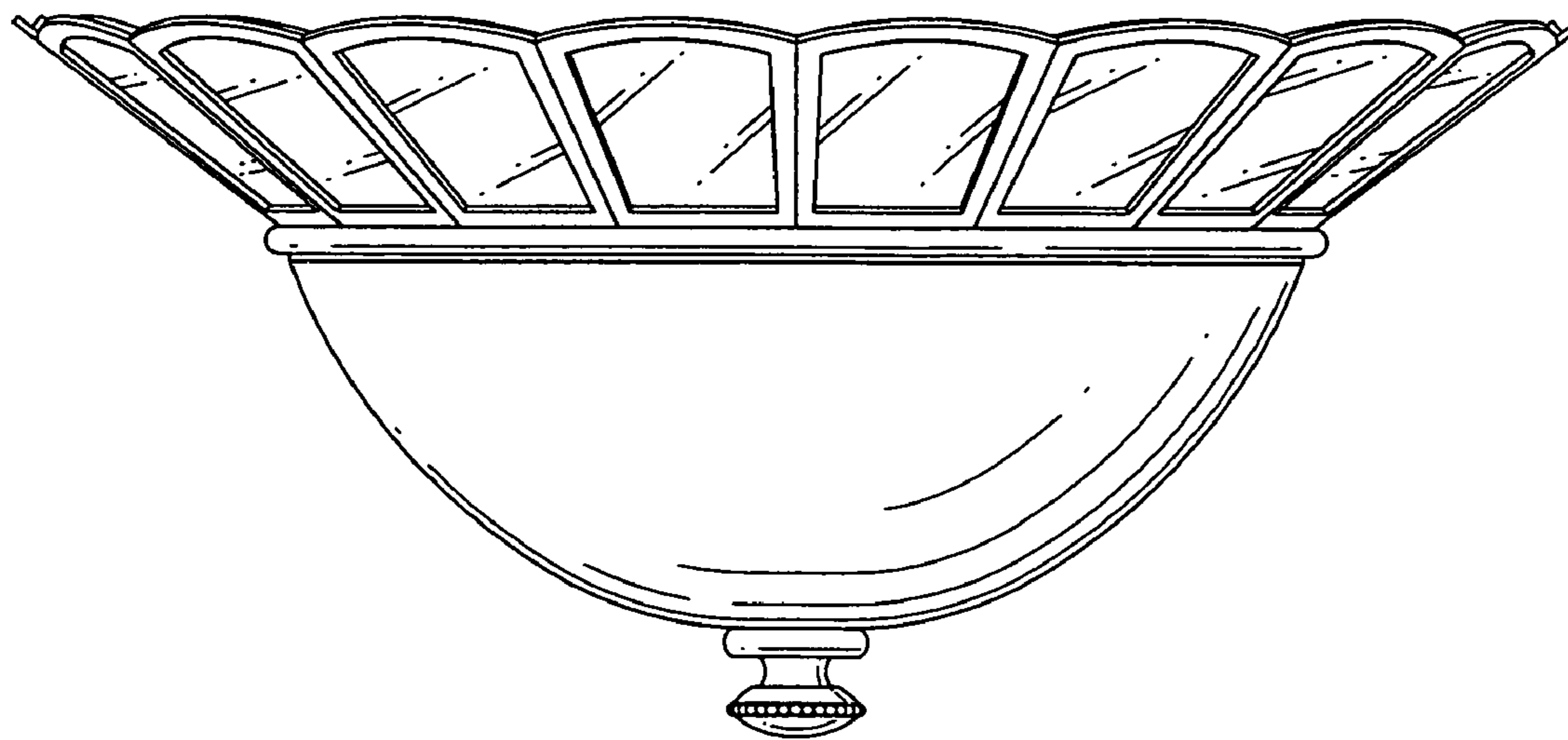


FIG. 3

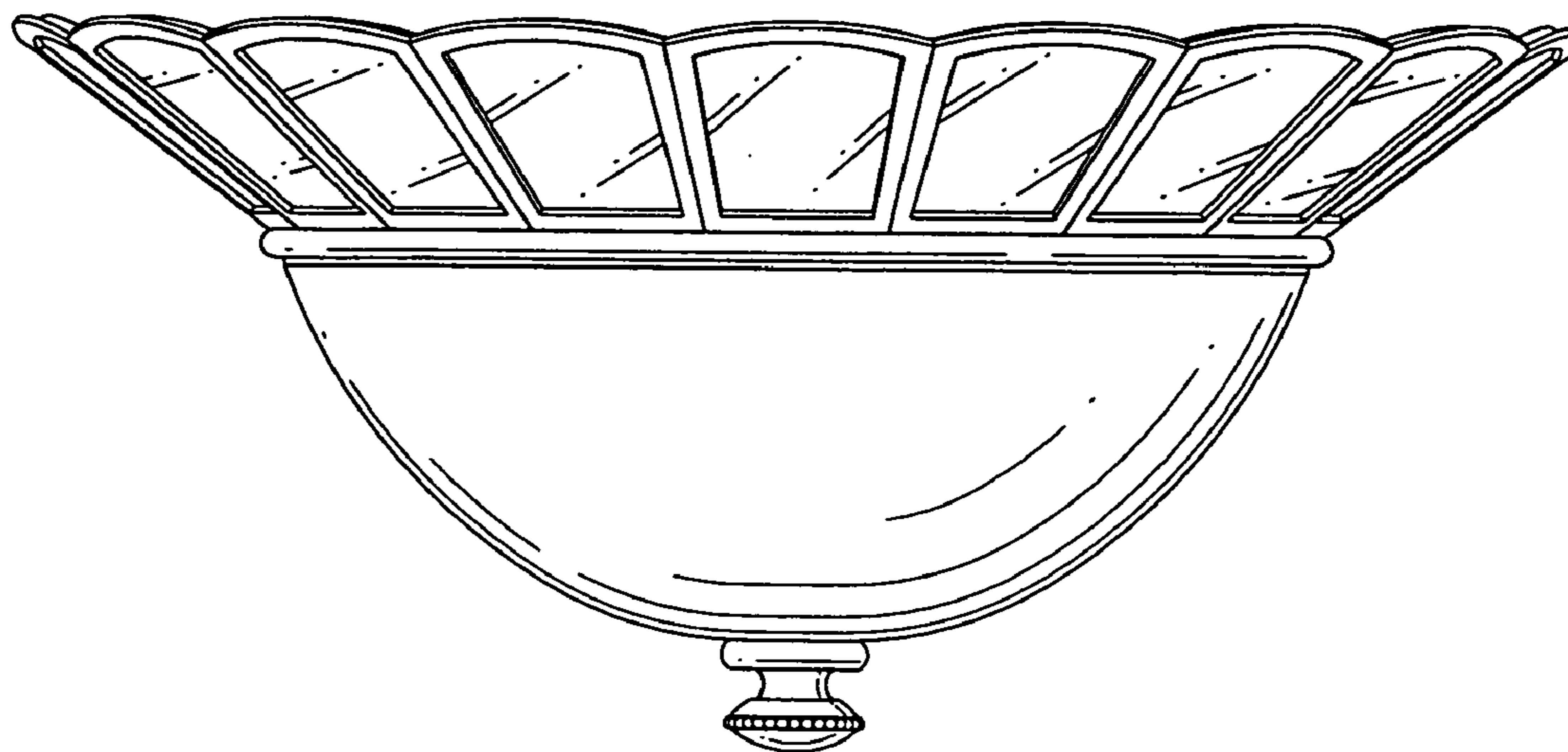


FIG. 4

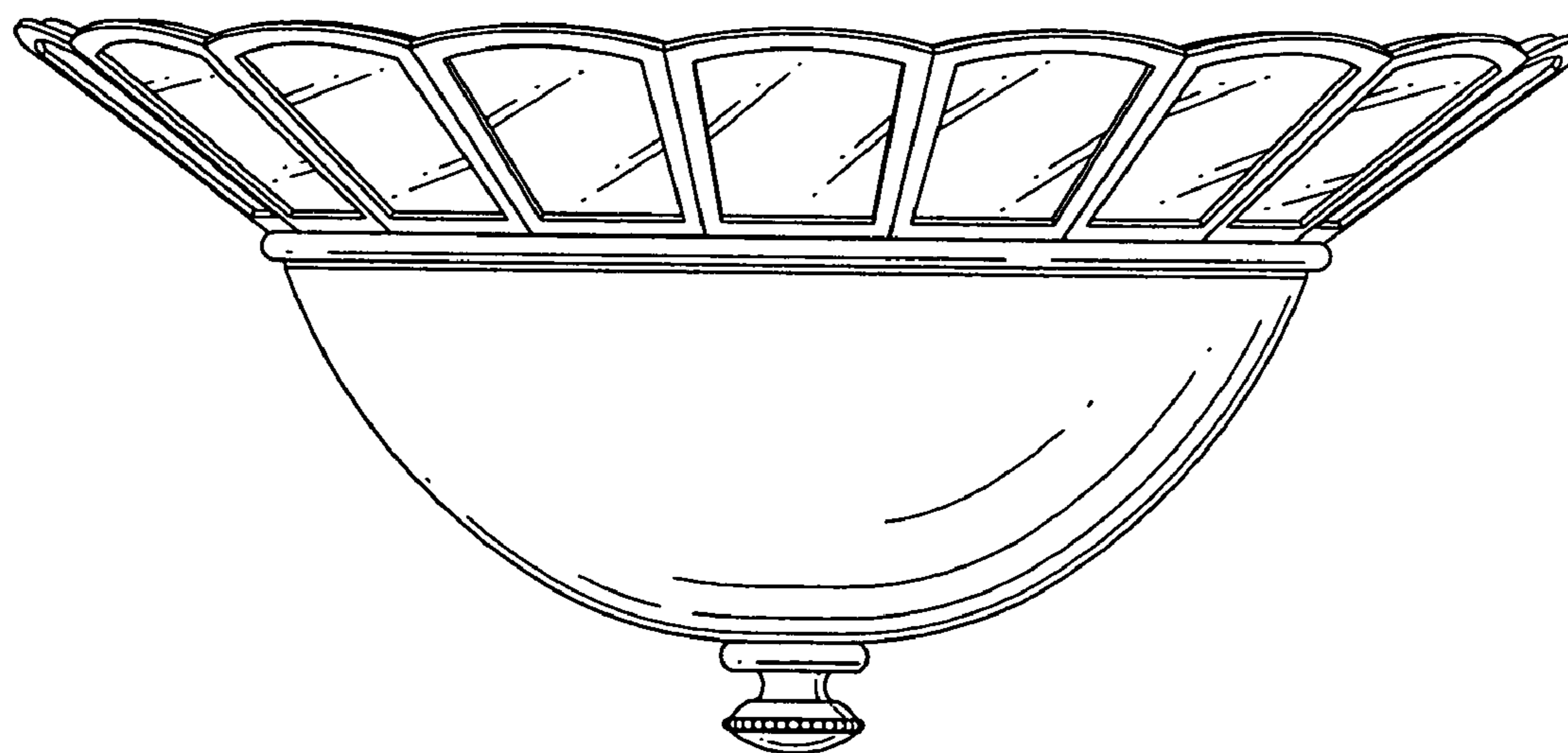


FIG. 5

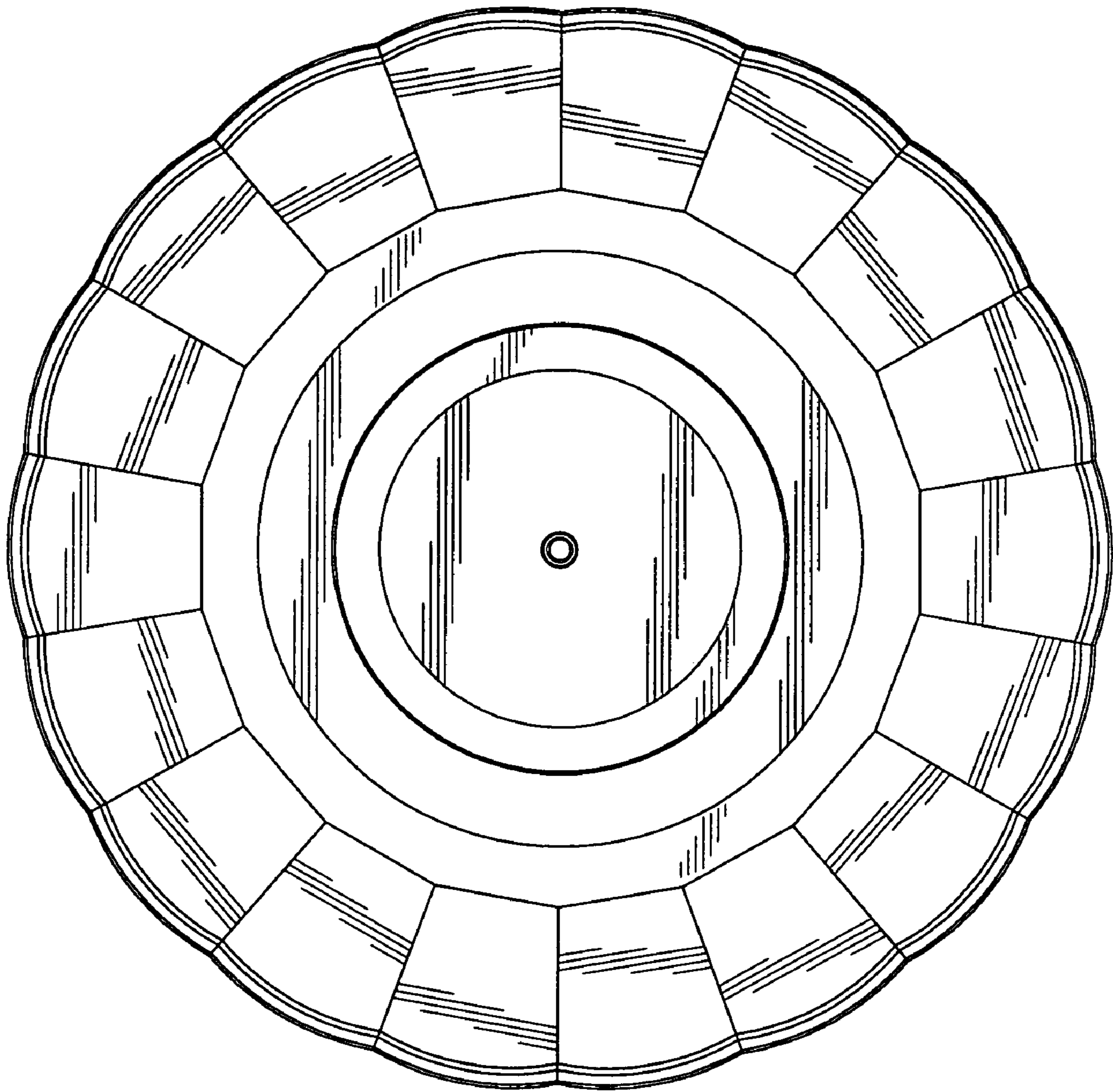


FIG. 6

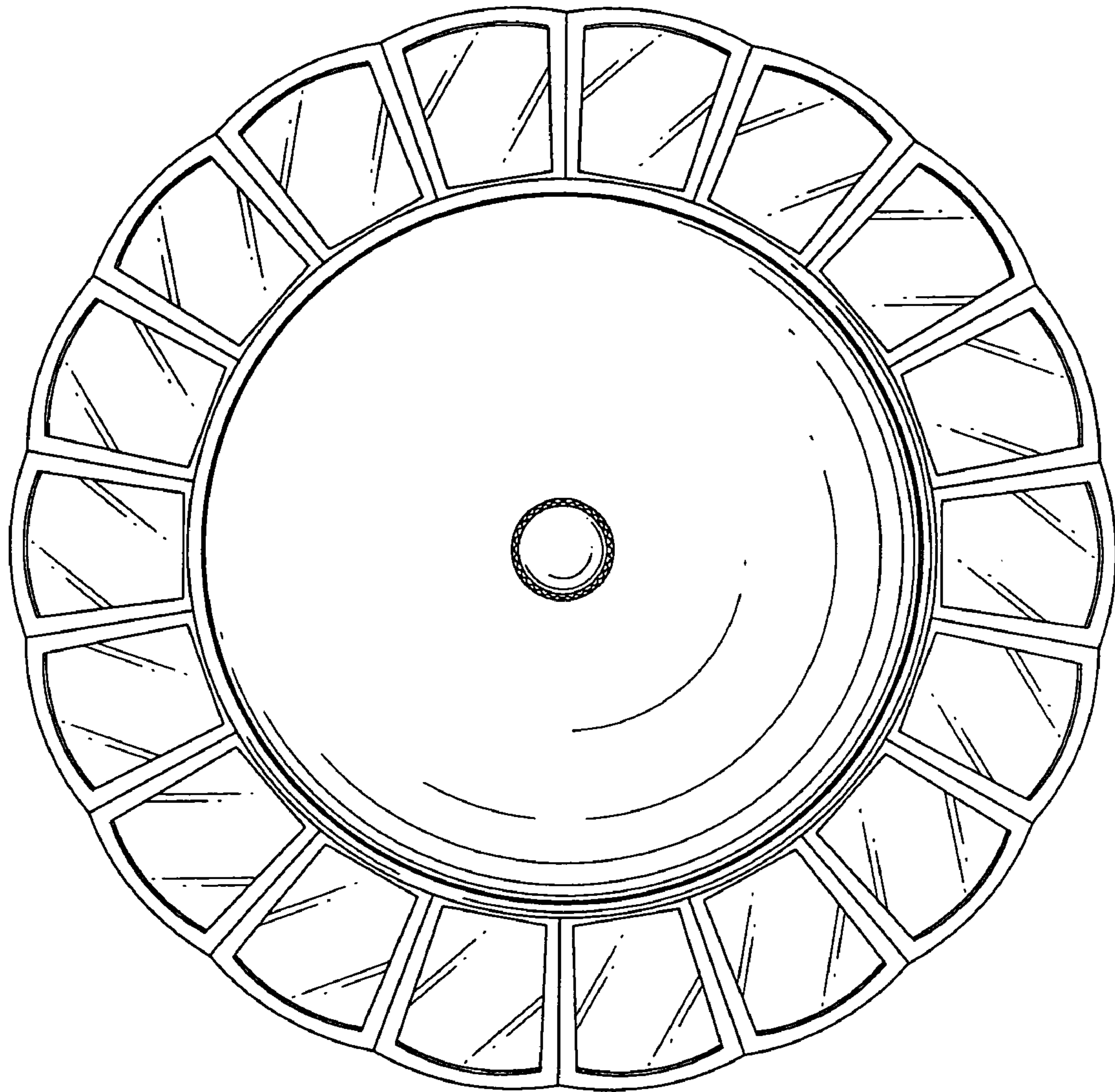


FIG. 7