



US00D555267S

(12) **United States Design Patent** (10) **Patent No.:** **US D555,267 S**
Lin (45) **Date of Patent:** **** Nov. 13, 2007**

(54) **FLASHLIGHT** EP 0 311 327 A2 4/1989

(75) Inventor: **Ning-Guo Lin**, Orange, CA (US)

(73) Assignee: **PowerMax USA**, Rancho Cucamonga, CA (US)

(**) Term: **14 Years**

(21) Appl. No.: **29/239,913**

(22) Filed: **Oct. 5, 2005**

Related U.S. Application Data

(63) Continuation-in-part of application No. 11/130,795, filed on May 16, 2005.

(51) **LOC (8) Cl.** **26-02**

(52) **U.S. Cl.** **D26/49**

(58) **Field of Classification Search** D26/37,
D26/38, 41, 46, 49, 51, 50, 56; 362/157,
362/158, 183, 189, 193, 195, 200, 201, 202,
362/205, 208

See application file for complete search history.

(56) **References Cited**

U.S. PATENT DOCUMENTS

3,890,498 A	6/1975	Toth, Sr.	
D249,581 S	9/1978	Von Clemm	
D252,534 S	7/1979	Lun	
D263,170 S	2/1982	Maglica	
4,398,238 A	8/1983	Nelson	
D306,492 S	3/1990	Sharrah	
D331,982 S	12/1992	George	
D342,333 S	12/1993	Maglica	
D343,695 S	1/1994	Shiau	
D356,170 S	3/1995	Ohtaka et al.	
D363,361 S	10/1995	Maglica	
5,586,819 A *	12/1996	Bamber et al. 362/158

(Continued)

FOREIGN PATENT DOCUMENTS

EP 0 236 113 A2 9/1987

OTHER PUBLICATIONS

“Focus Grip Max™” flashlight, http://www.duracell.com/products/flashlights_focus_grip_max.asp, 2 pages, printed from the internet on Apr. 6, 2007.

“Industrial Flashlights”, http://www.sargentwelch.com/product.asp_Q_pn_E_WLS44220-04_EA_A_industrial+flashlightes_E_, 3 pages, printed from the Internet on Apr. 6, 2007.

Maglite flashlights, <http://www.maglite.com/index.asp?m=skipflash>, 1 page, printed from the Internet on Apr. 6, 2007.

* cited by examiner

Primary Examiner—Ian Simmons

Assistant Examiner—Carissa C Fitts

(74) *Attorney, Agent, or Firm*—Chen Yoshimura LLP

(57) **CLAIM**

The ornamental design for a flashlight, as shown and described.

DESCRIPTION

FIG. 1 is a front elevational view of a flashlight showing my new design;

FIG. 2 is a left side elevational view thereof;

FIG. 3 is a right side elevational view thereof;

FIG. 4 is a top plan view thereof;

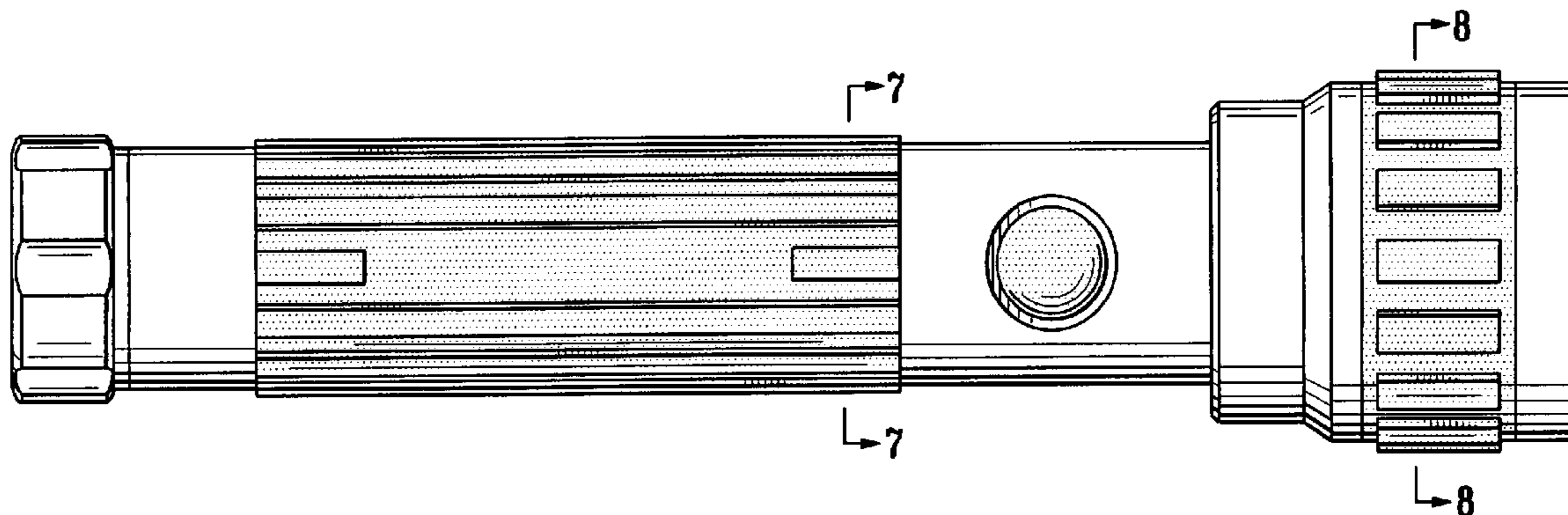
FIG. 5 is a bottom plan view thereof;

FIG. 6 is a rear elevational view thereof;

FIG. 7 is an enlarged cross-sectional view thereof, taken along the line 7—7 of FIG. 1; and,

FIG. 8 is an enlarged cross-sectional view thereof, taken along the line 8—8 of FIG. 1.

1 Claim, 3 Drawing Sheets



US D555,267 S

Page 2

U.S. PATENT DOCUMENTS

D427,700 S	7/2000	Parsons		D520,167 S *	5/2006	Garrity	D26/49
D443,373 S	6/2001	Israel et al.		D520,661 S *	5/2006	Chien	D26/49
D443,709 S	6/2001	Chiu		D525,733 S *	7/2006	Shiao	D26/37
D445,522 S *	7/2001	Chiu	D26/49	D535,772 S *	1/2007	Krieger et al.	D26/49
D450,872 S	11/2001	Dalebout et al.		D536,117 S *	1/2007	Krieger et al.	D26/49
D495,815 S	9/2004	Saunders		D536,118 S *	1/2007	Krieger et al.	D26/49
D512,525 S *	12/2005	Yang	D26/49	D536,465 S *	2/2007	Krieger et al.	D26/49
				2003/0016533 A1	1/2003	Forsythe	

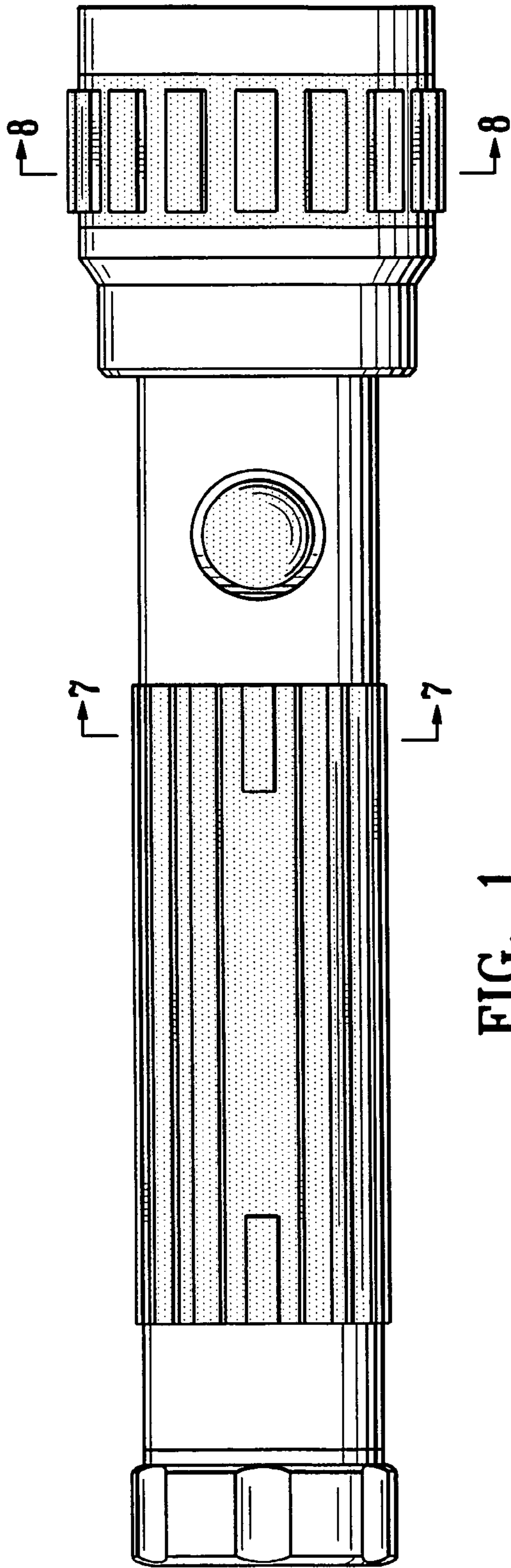


FIG. 1

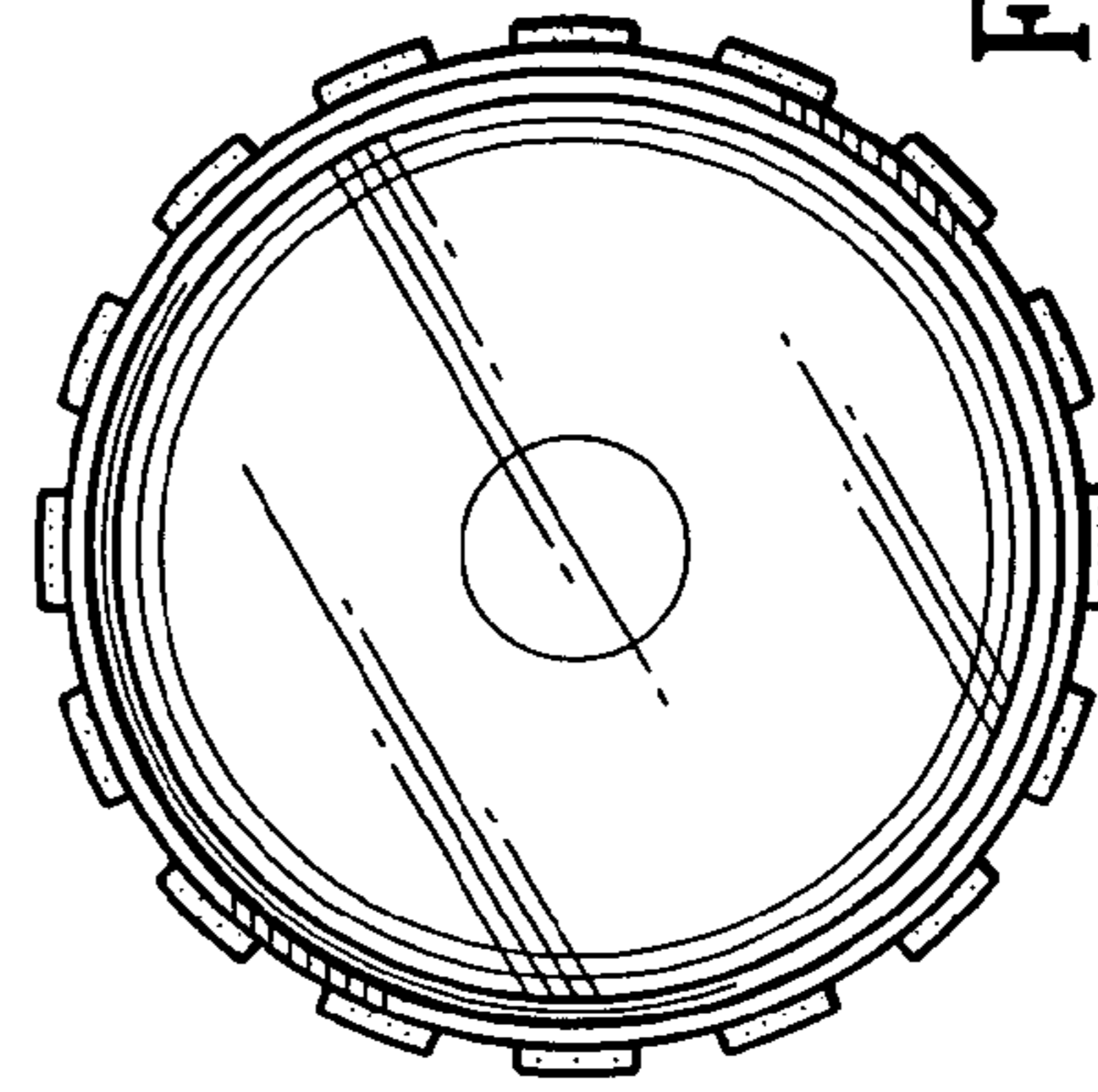


FIG. 2

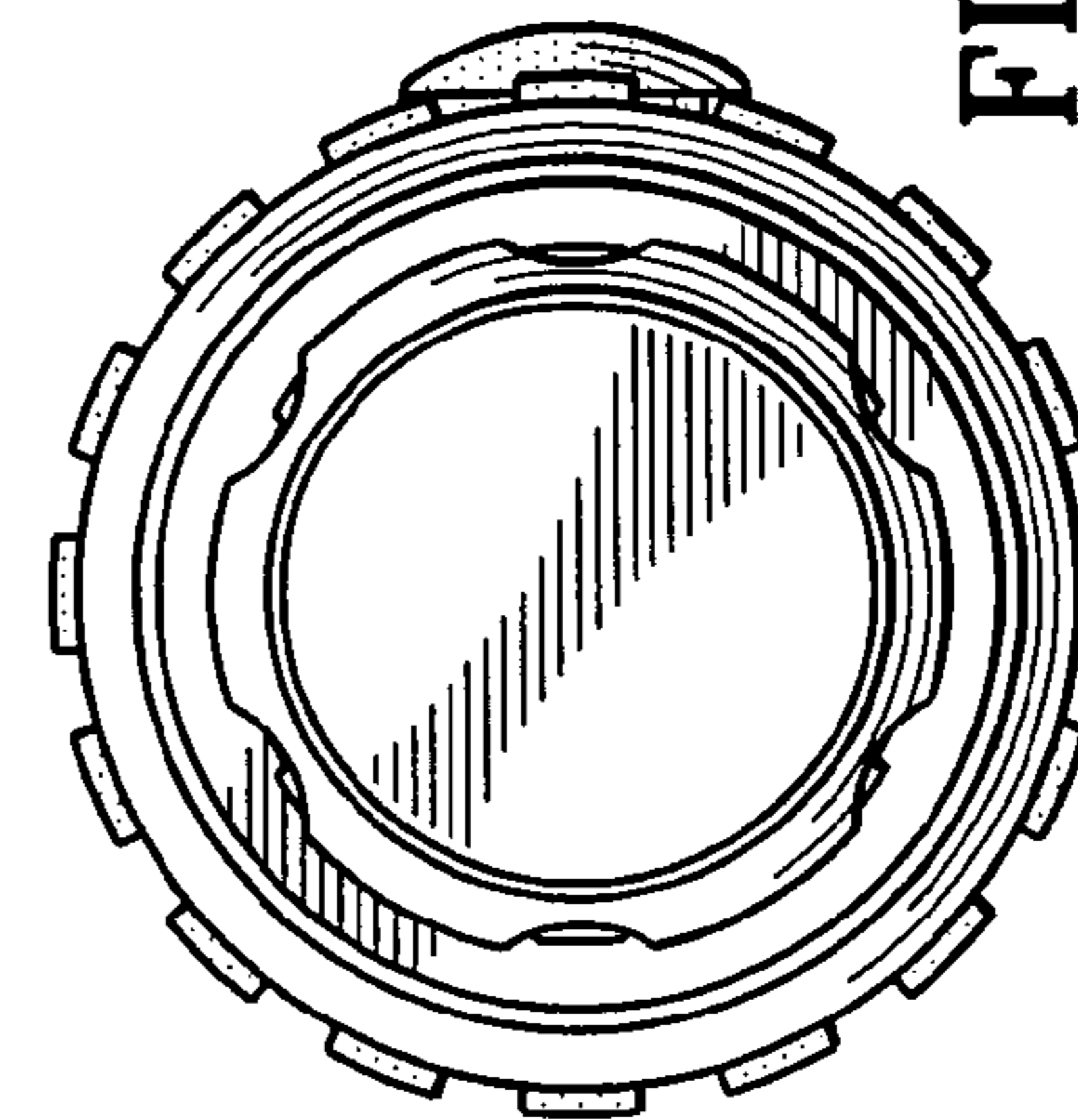
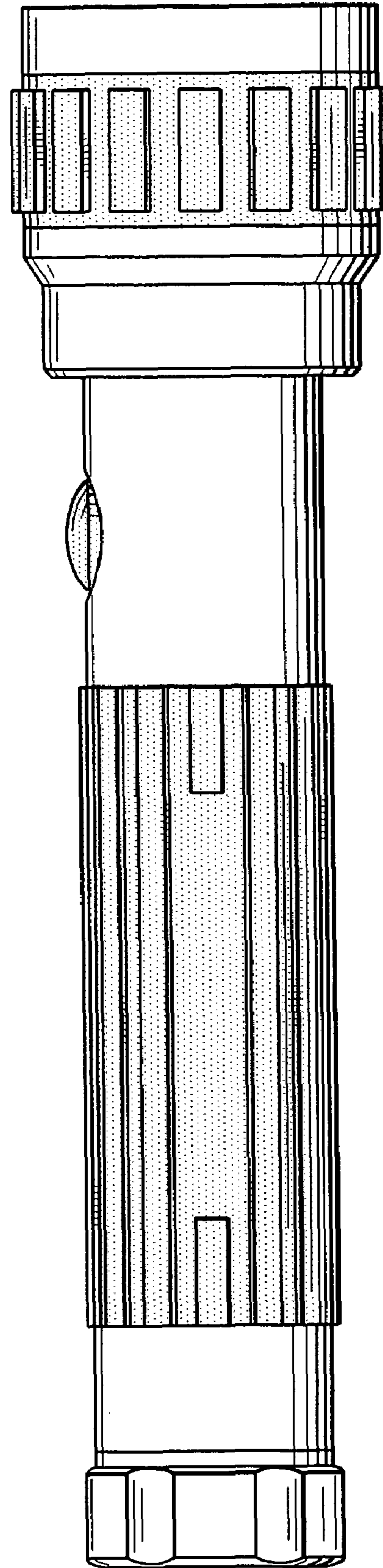
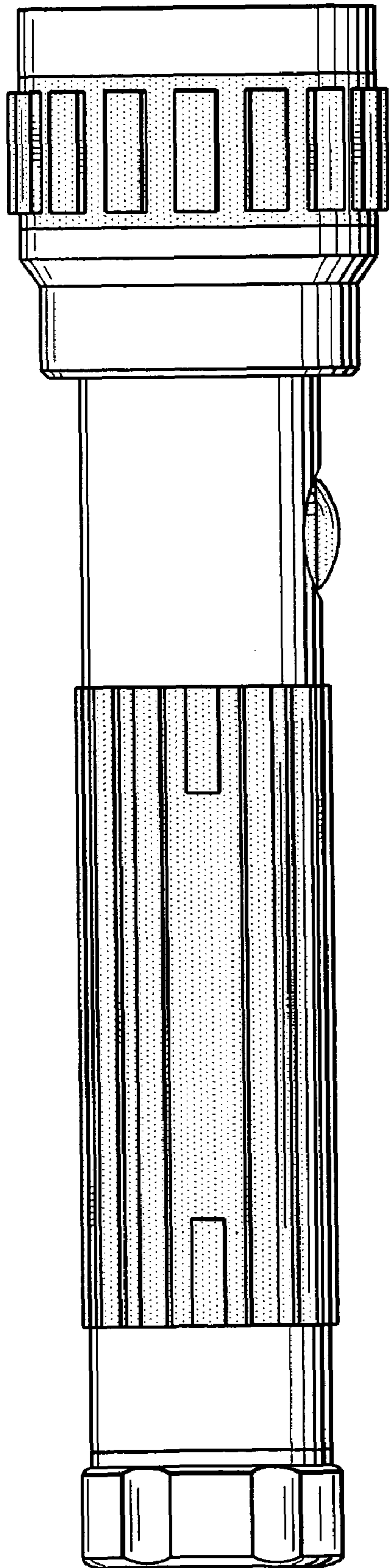


FIG. 3



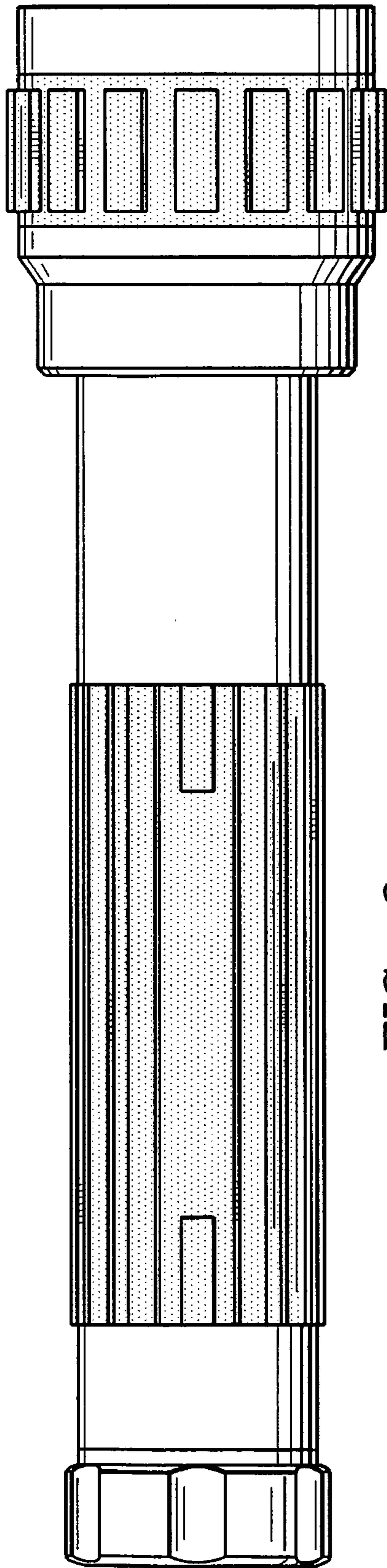


FIG. 6

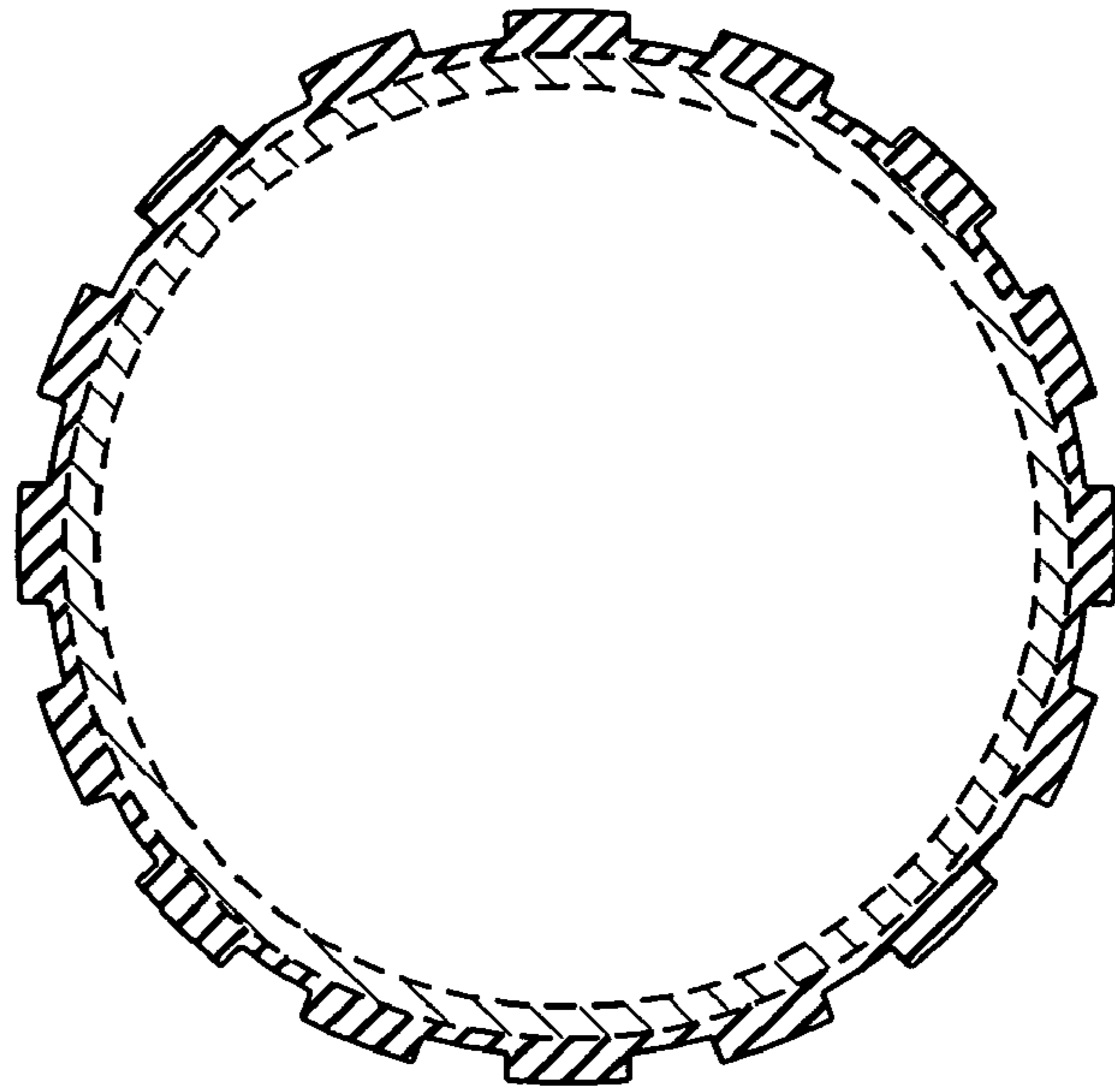


FIG. 7

FIG. 8