

US00D555266S

(12) **United States Design Patent**
Claassen

(10) **Patent No.:** **US D555,266 S**

(45) **Date of Patent:** **** Nov. 13, 2007**

(54) **WIND-UP FLASHLIGHT**

D527,128 S * 8/2006 Lo et al. D26/40

(75) Inventor: **John P. Claassen**, San Leandro, CA
(US)

* cited by examiner

Primary Examiner—Marcus A. Jackson

(73) Assignee: **National Broom Co. of California**,
San Leandro, CA (US)

(74) *Attorney, Agent, or Firm*—Theodore J. Bielen, Jr.

(**) Term: **14 Years**

(57) **CLAIM**

The ornamental design for a wind-up flashlight, as shown.

(21) Appl. No.: **29/272,968**

DESCRIPTION

(22) Filed: **Feb. 23, 2007**

FIG. 1 is a top right side perspective view with the crank
portion seated, showing my new design;

(51) **LOC (8) Cl.** **26-02**

FIG. 2 is a front elevational view;

(52) **U.S. Cl.** **D26/40**

FIG. 3 is a right side view, the left side view being a mirror
image thereof;

(58) **Field of Classification Search** D26/37-50;
362/157, 158, 171-174, 183-208
See application file for complete search history.

FIG. 4 is a rear elevational view;

(56) **References Cited**

U.S. PATENT DOCUMENTS

D424,726 S * 5/2000 Petterson et al. D26/40
D468,039 S * 12/2002 Poon D26/40
D485,385 S * 1/2004 Lo D26/40

FIG. 5 is a top plan view;

FIG. 6. is a bottom plan view; and,

FIG. 7 is a top right side perspective view with the crank
portion raised.

1 Claim, 6 Drawing Sheets

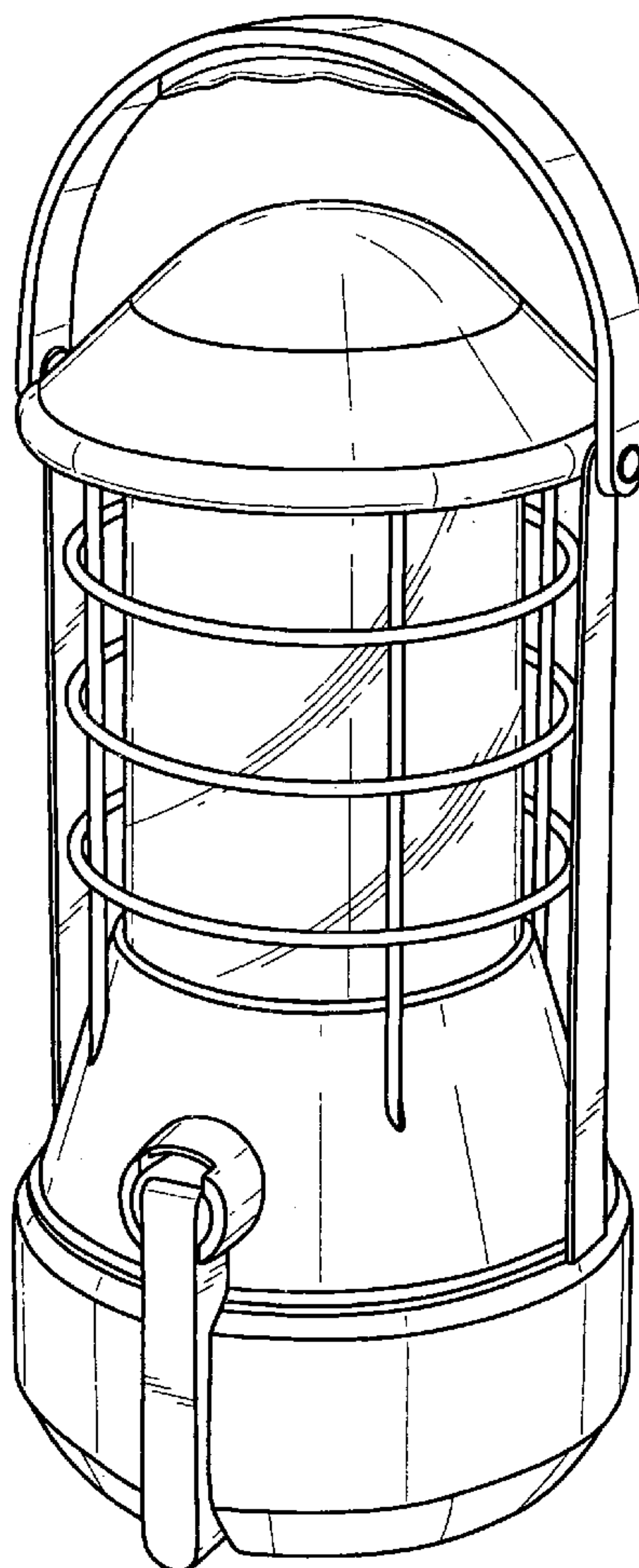


FIG. 1

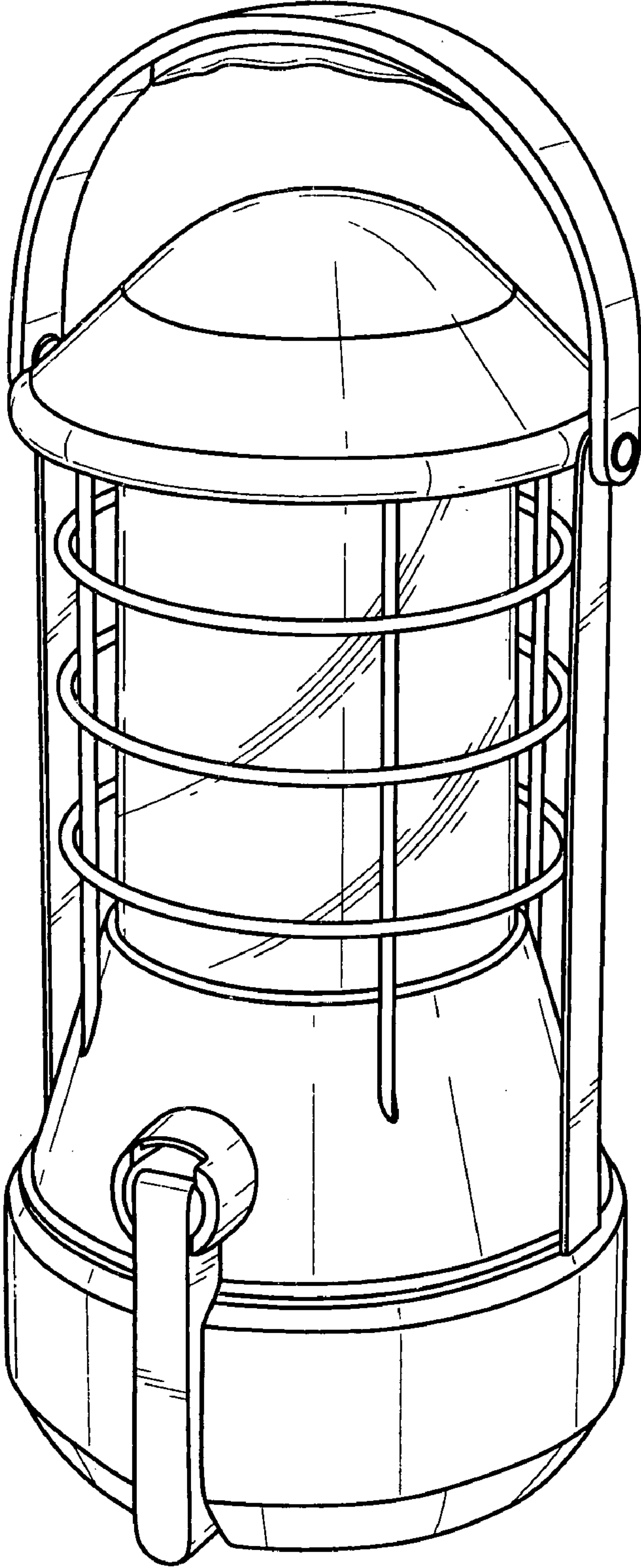


FIG. 2

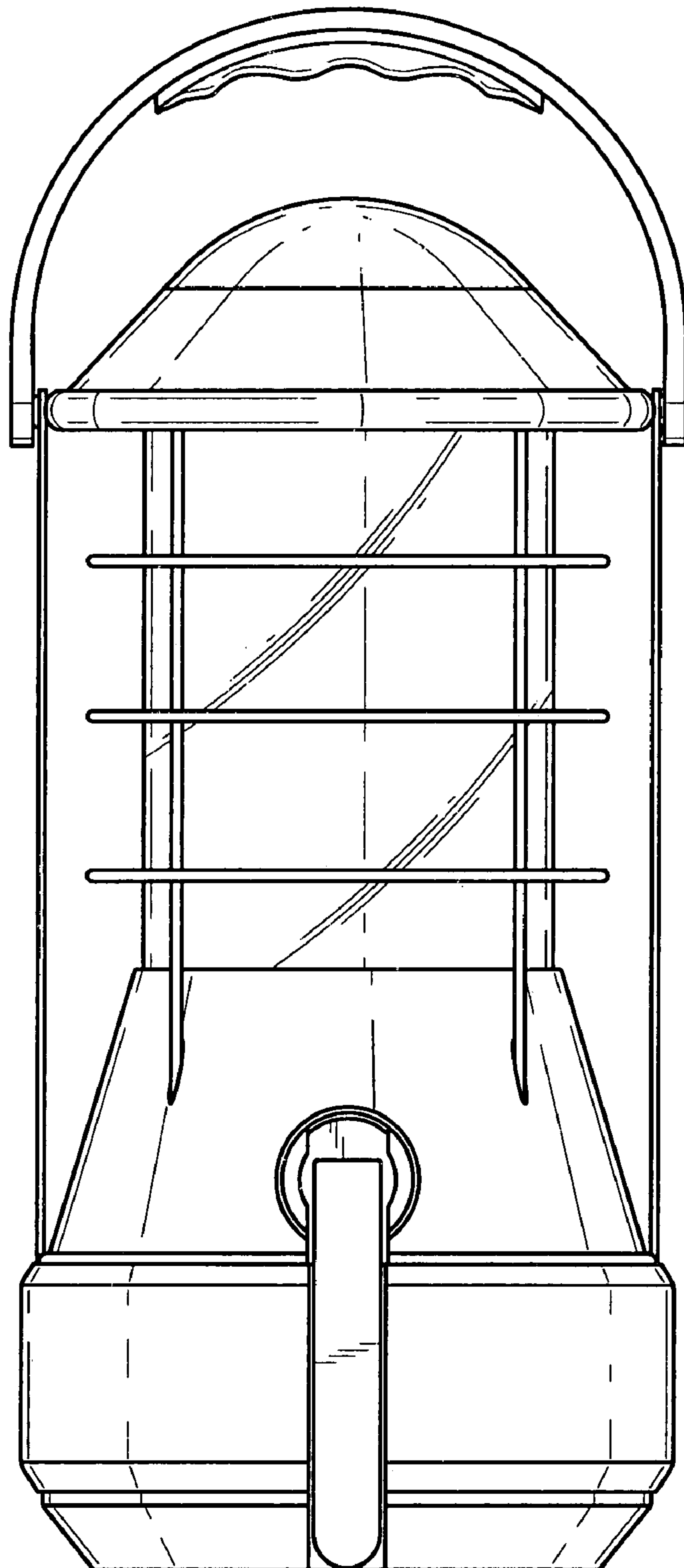


FIG. 3

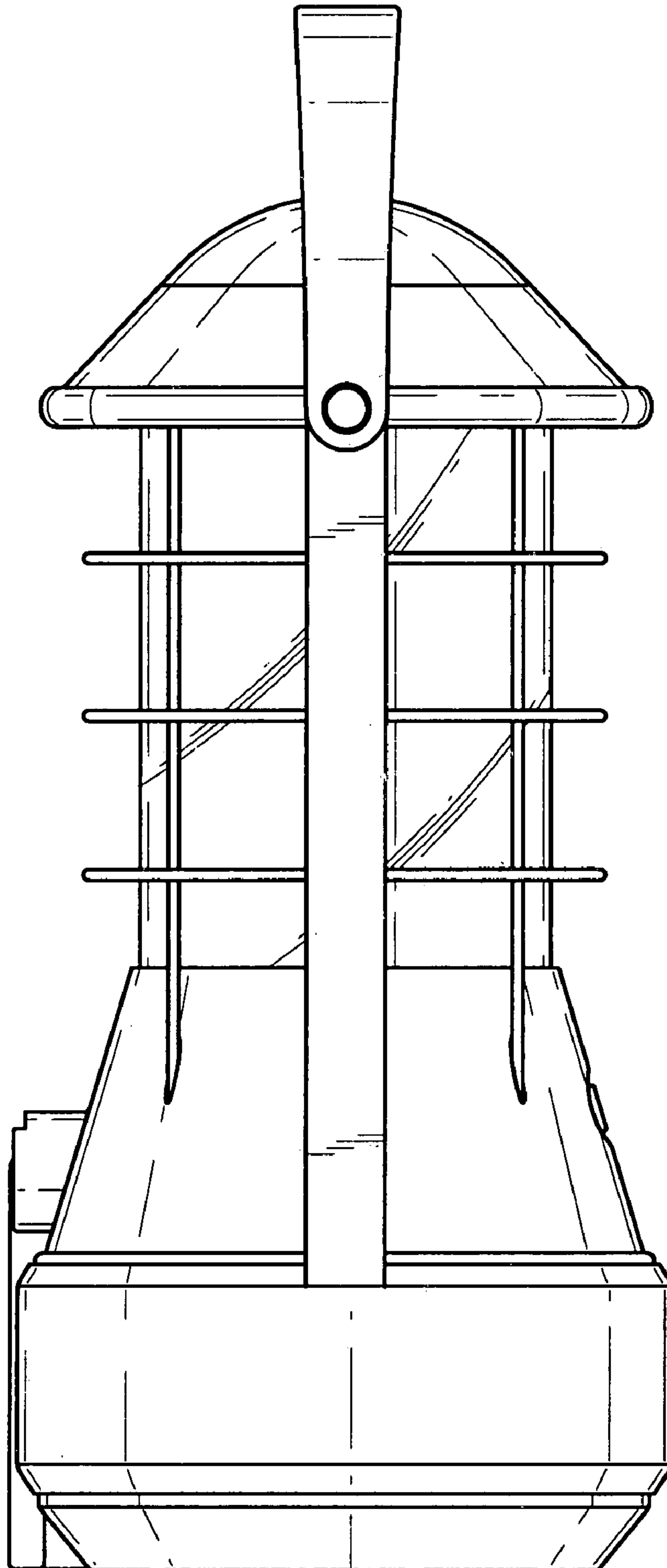


FIG. 4

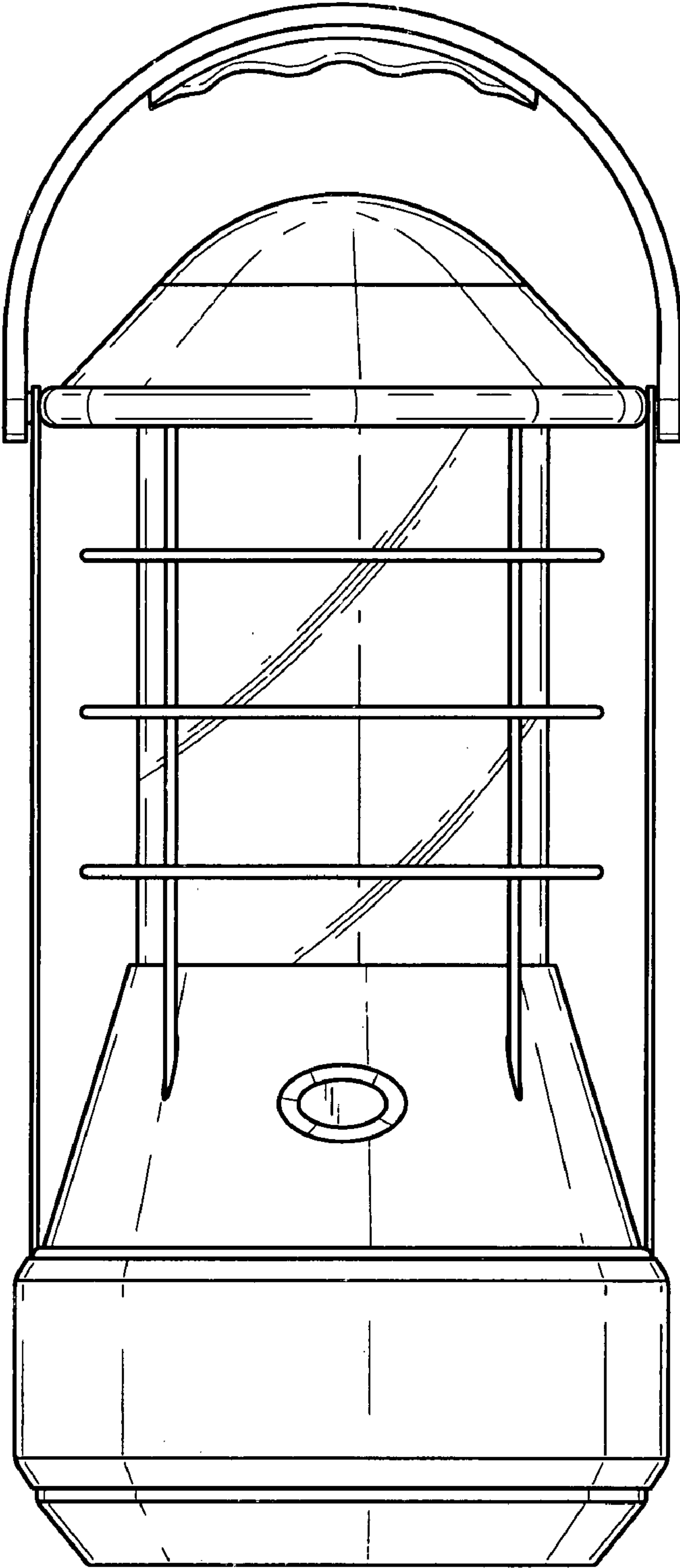


FIG. 5

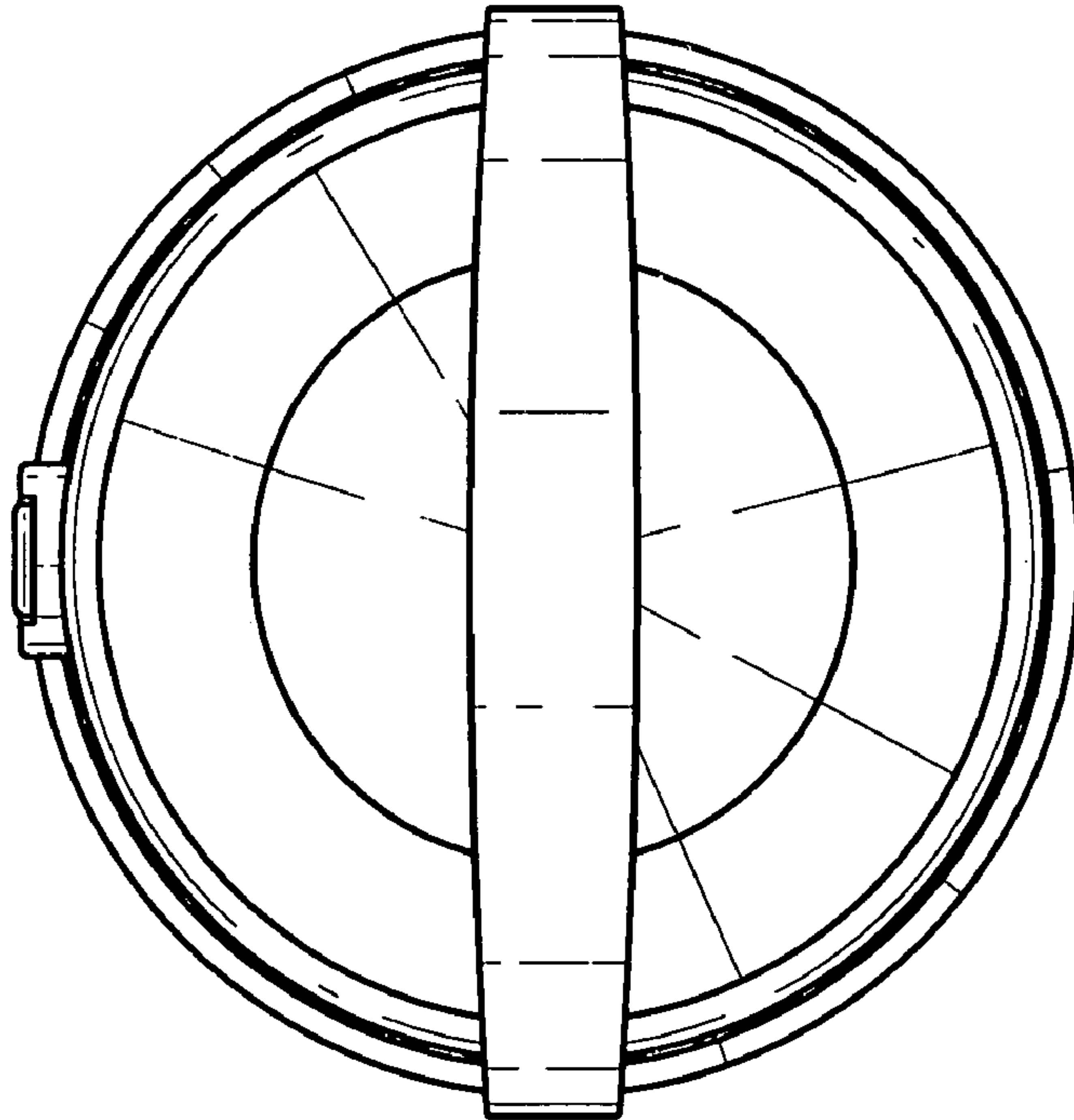


FIG. 6

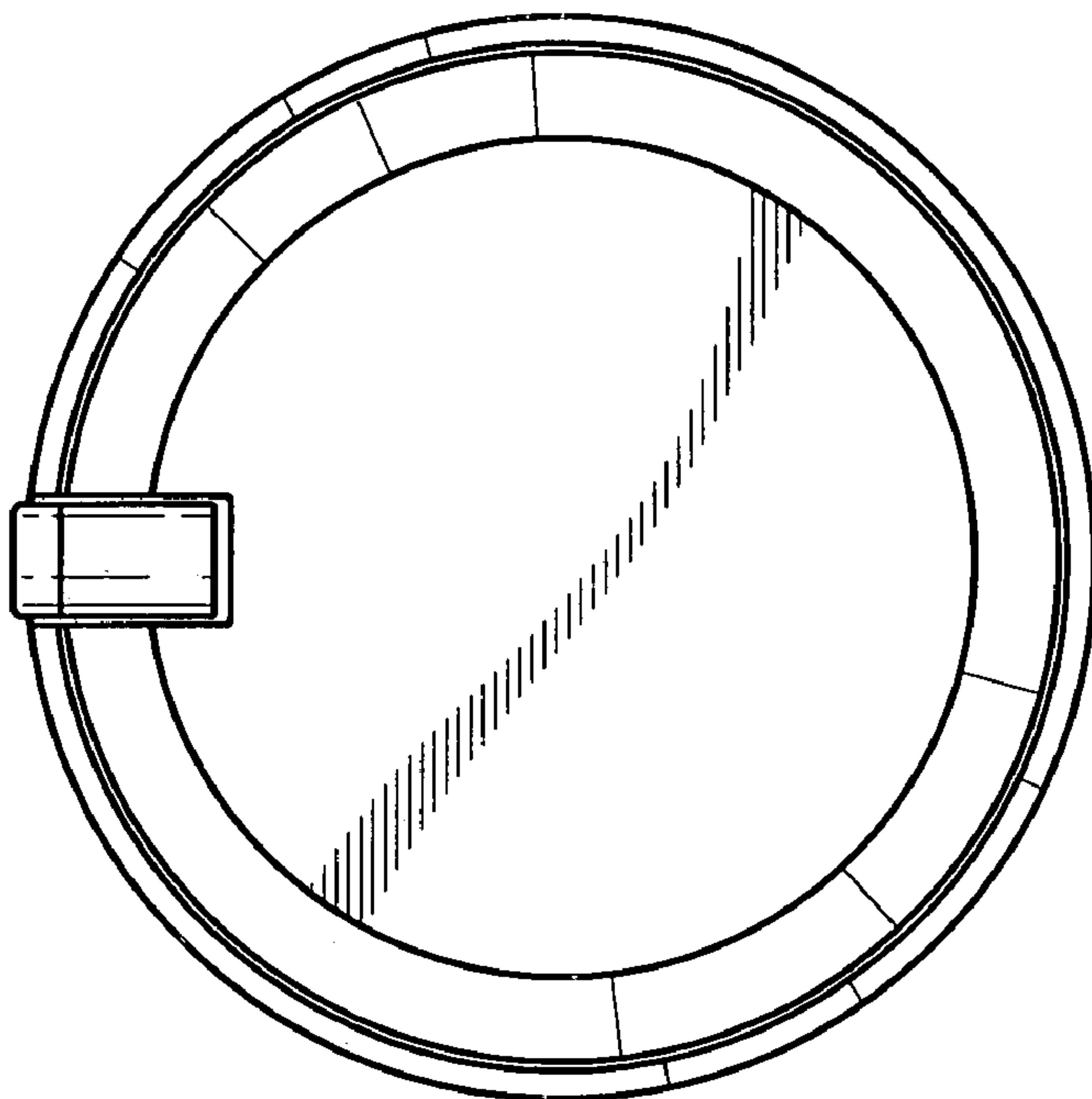


FIG. 7

