



US00D555265S

(12) **United States Design Patent**
Shiu

(10) **Patent No.:** **US D555,265 S**

(45) **Date of Patent:** **** Nov. 13, 2007**

(54) **PORTABLE LIGHT SOURCE**

(75) **Inventor:** **Stephanie Wai Man Shiu**, Kowloon (HK)

(73) **Assignee:** **Gold Coral International Limited**, San Po Kang, Kowloon (HK)

(**) **Term:** **14 Years**

(21) **Appl. No.:** **29/278,296**

(22) **Filed:** **Mar. 23, 2007**

(30) **Foreign Application Priority Data**

Oct. 12, 2006 (HK) 0602627

(51) **LOC (8) Cl.** **26-02**

(52) **U.S. Cl.** **D26/39**

(58) **Field of Classification Search** D26/37-50;
362/157, 158, 171-174, 183-208

See application file for complete search history.

(56) **References Cited**

U.S. PATENT DOCUMENTS

- D470,615 S * 2/2003 Janice et al. D26/39
- D472,998 S * 4/2003 Paris et al. D26/39
- D482,473 S * 11/2003 Shiu D26/39
- D492,052 S * 6/2004 Schnell D26/39

D500,377 S * 12/2004 Yamamoto et al. D26/39

* cited by examiner

Primary Examiner—Marcus A. Jackson

(74) *Attorney, Agent, or Firm*—Joseph G. Swan, PC

(57) **CLAIM**

The ornamental design for a portable light source, as shown and described.

DESCRIPTION

FIG. 1 is a front elevational view of a portable light source according to the present invention.

FIG. 2 is a rear elevational view of the portable light source.

FIG. 3 is a top plan view of the portable light source.

FIG. 4 is a bottom plan view of the portable light source.

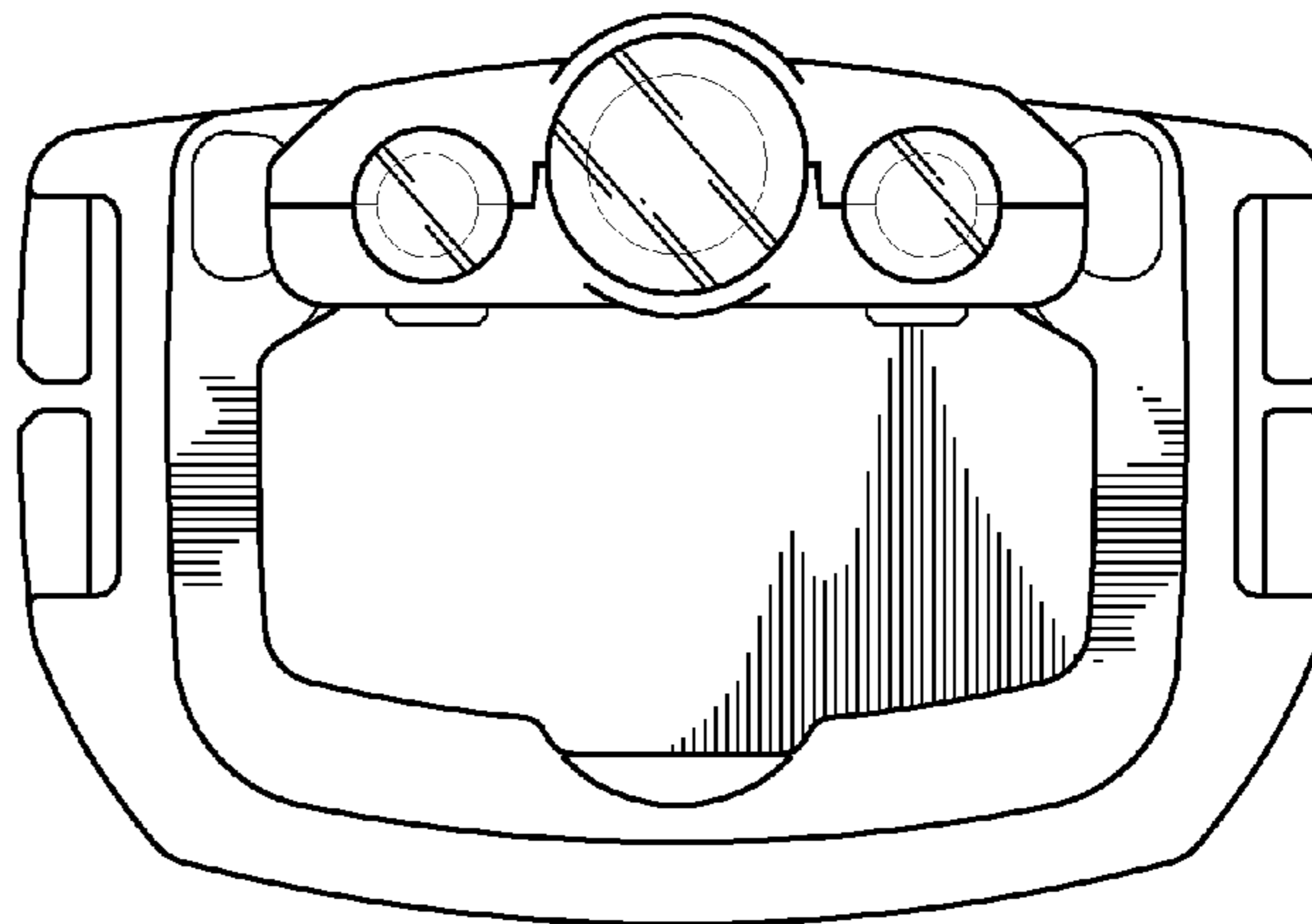
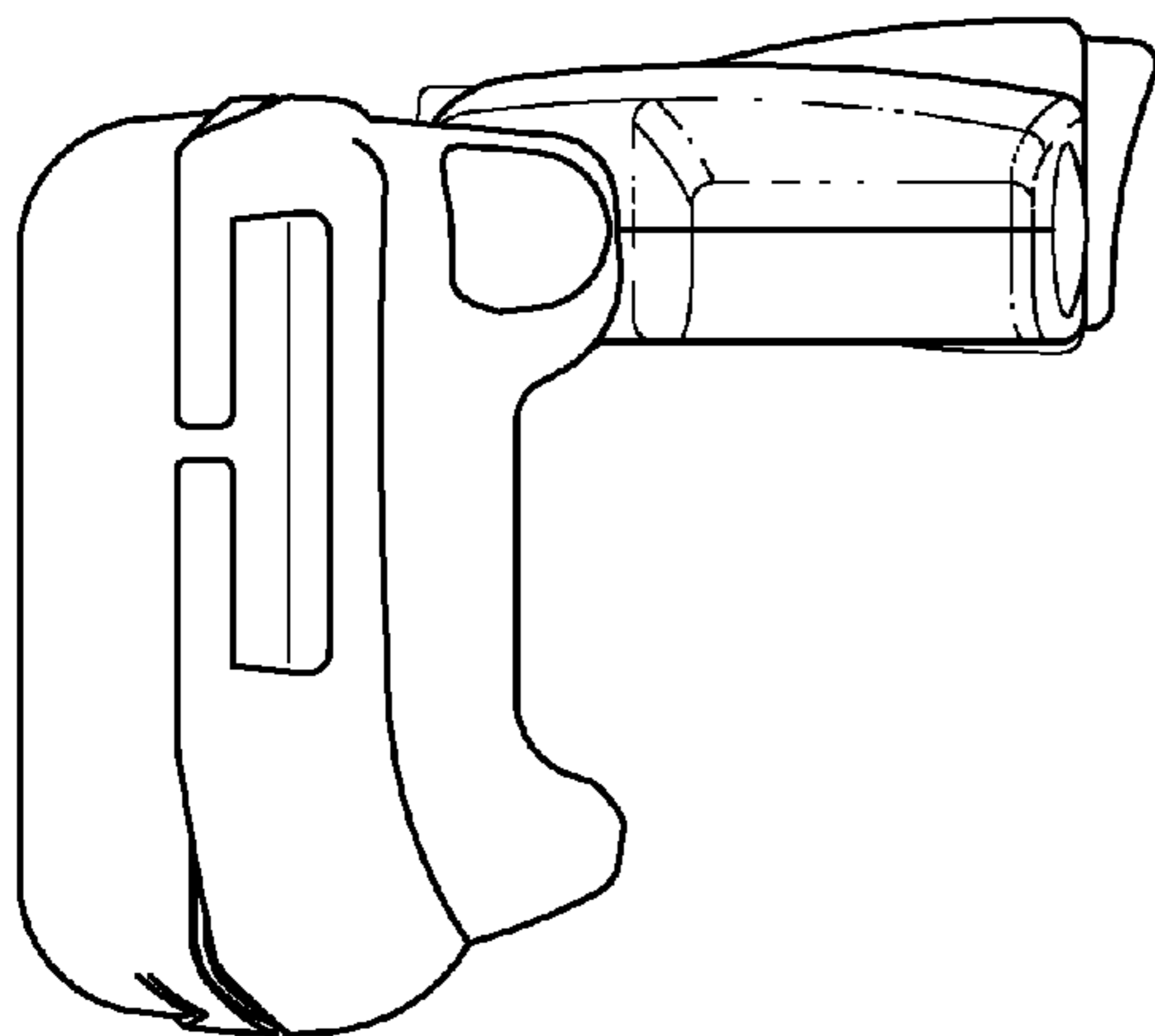
FIG. 5 is a right side elevational view of the portable light source.

FIG. 6 is a left side elevational view of the portable light source.

FIG. 7 is a right side elevational view of the portable light source with the front light-emitting section rotated upwardly 90°; and,

FIG. 8 is a front elevational view of the portable light source with the front light-emitting section rotated upwardly 90°.

1 Claim, 4 Drawing Sheets



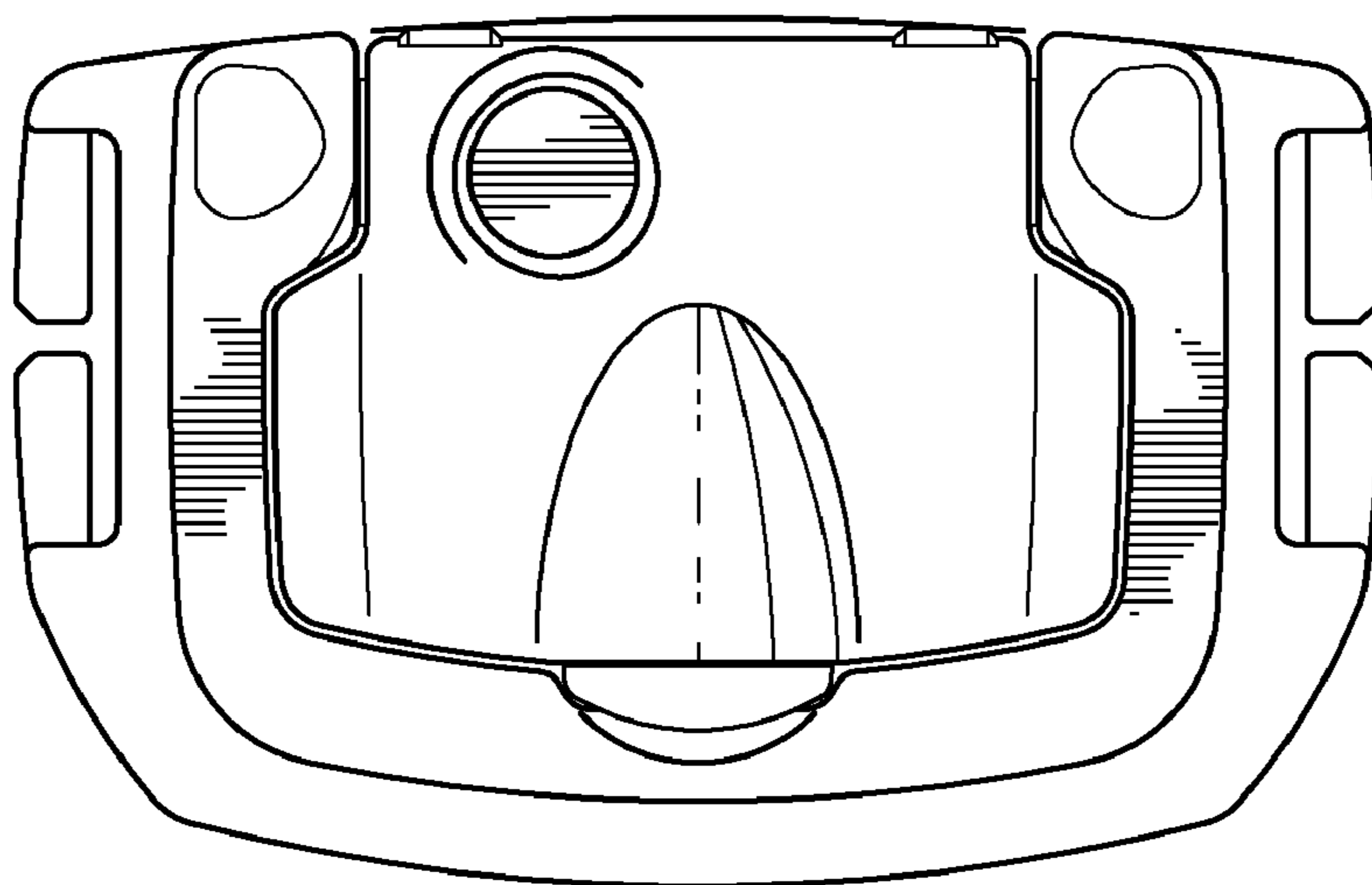


FIG. 1

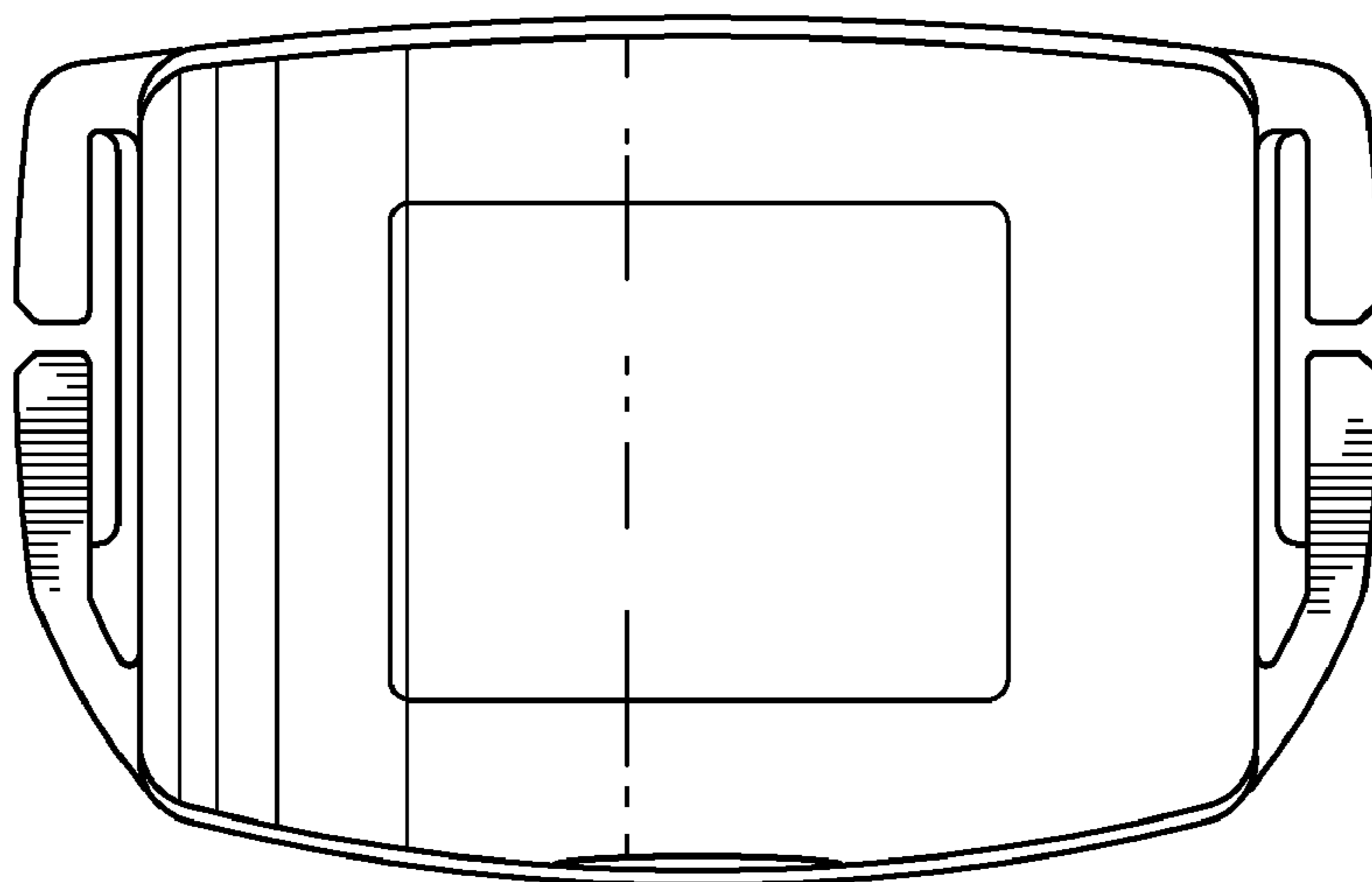


FIG. 2

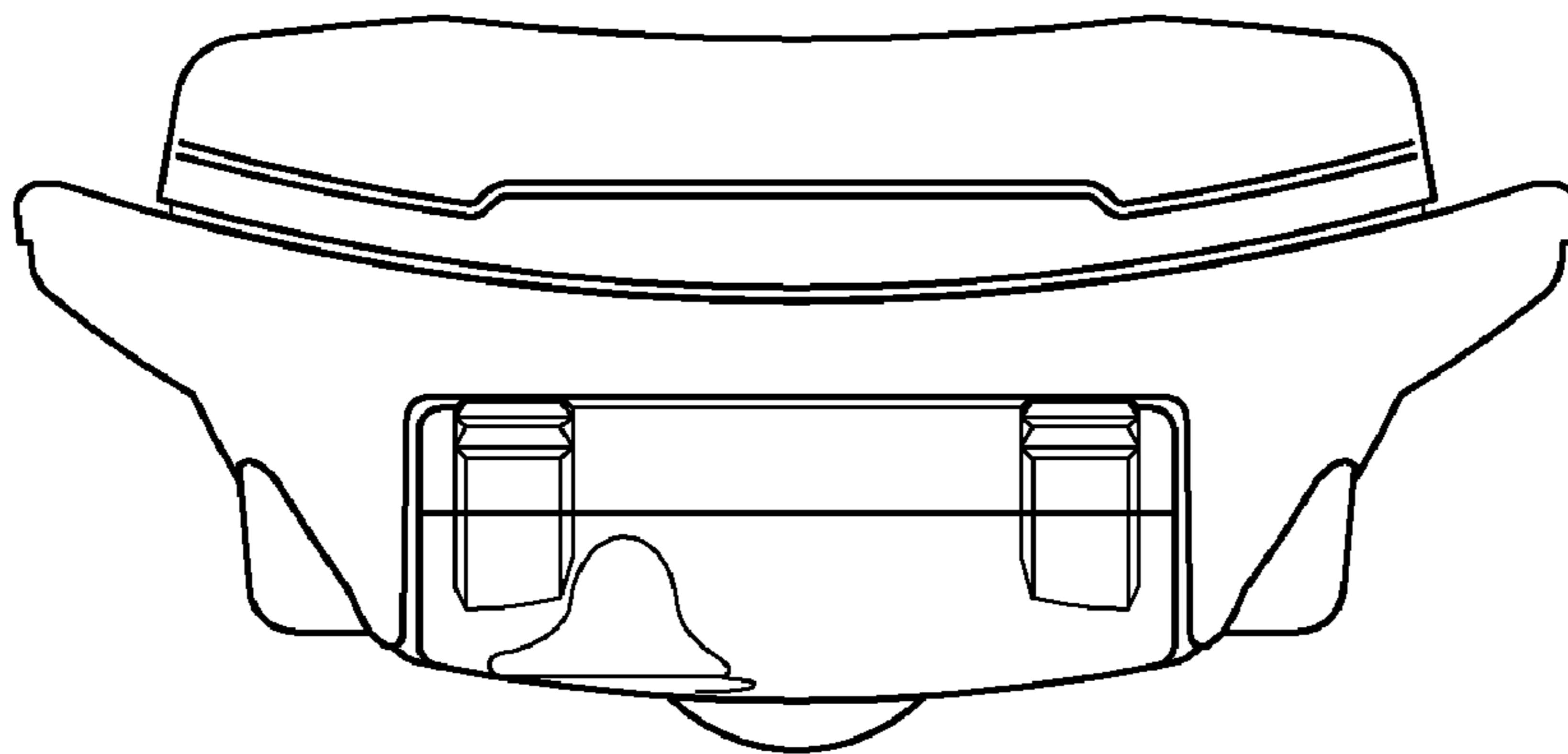


FIG. 3

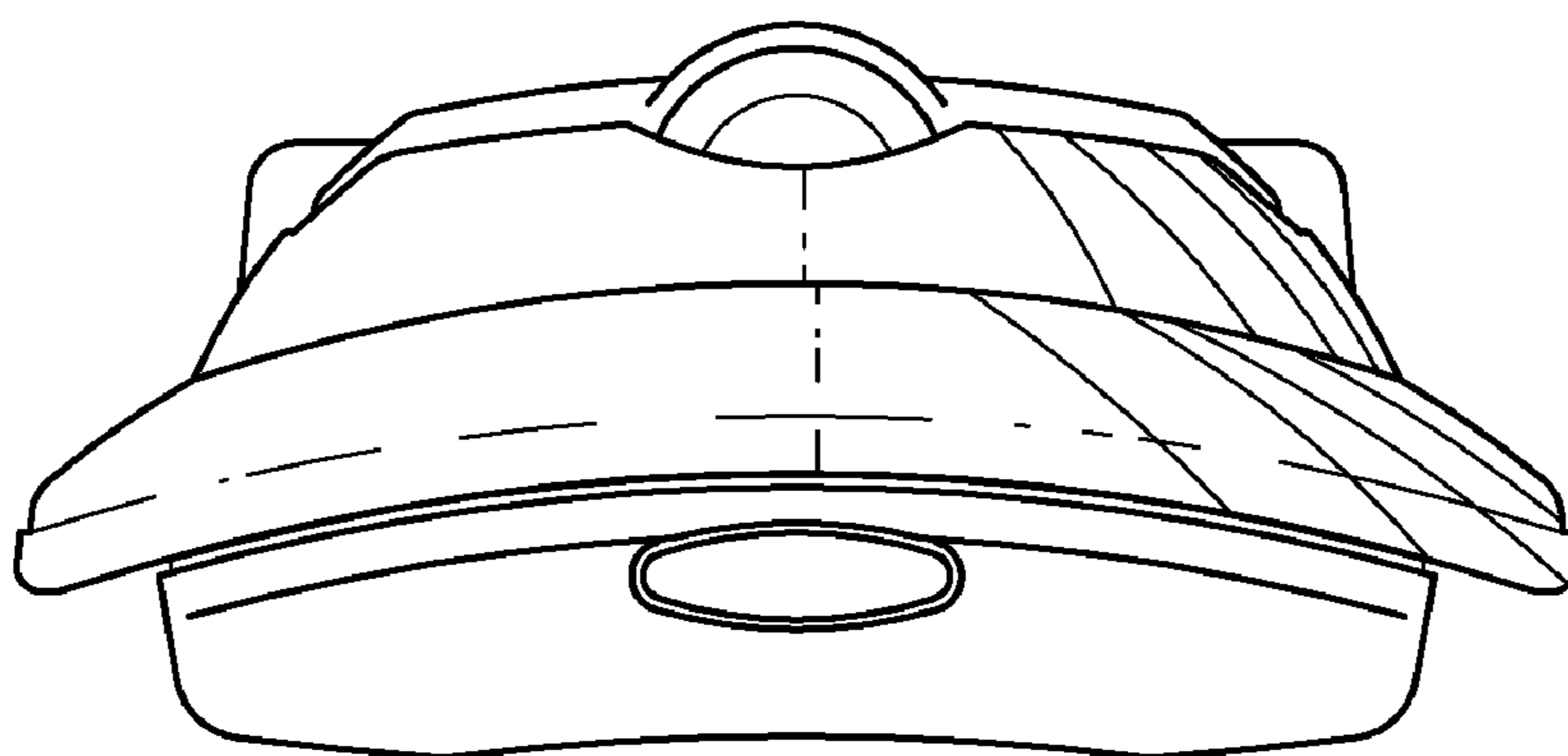


FIG. 4

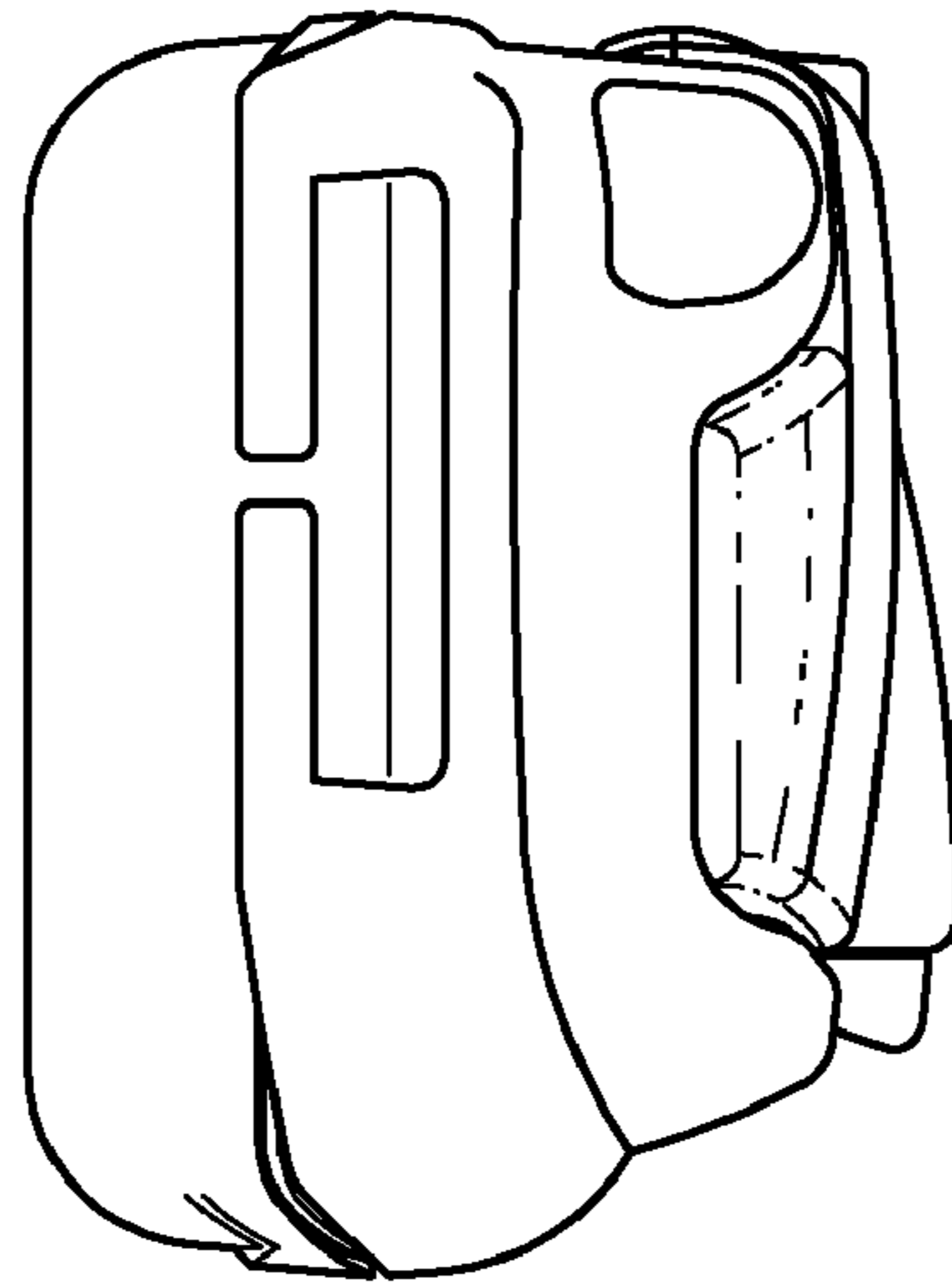


FIG. 5

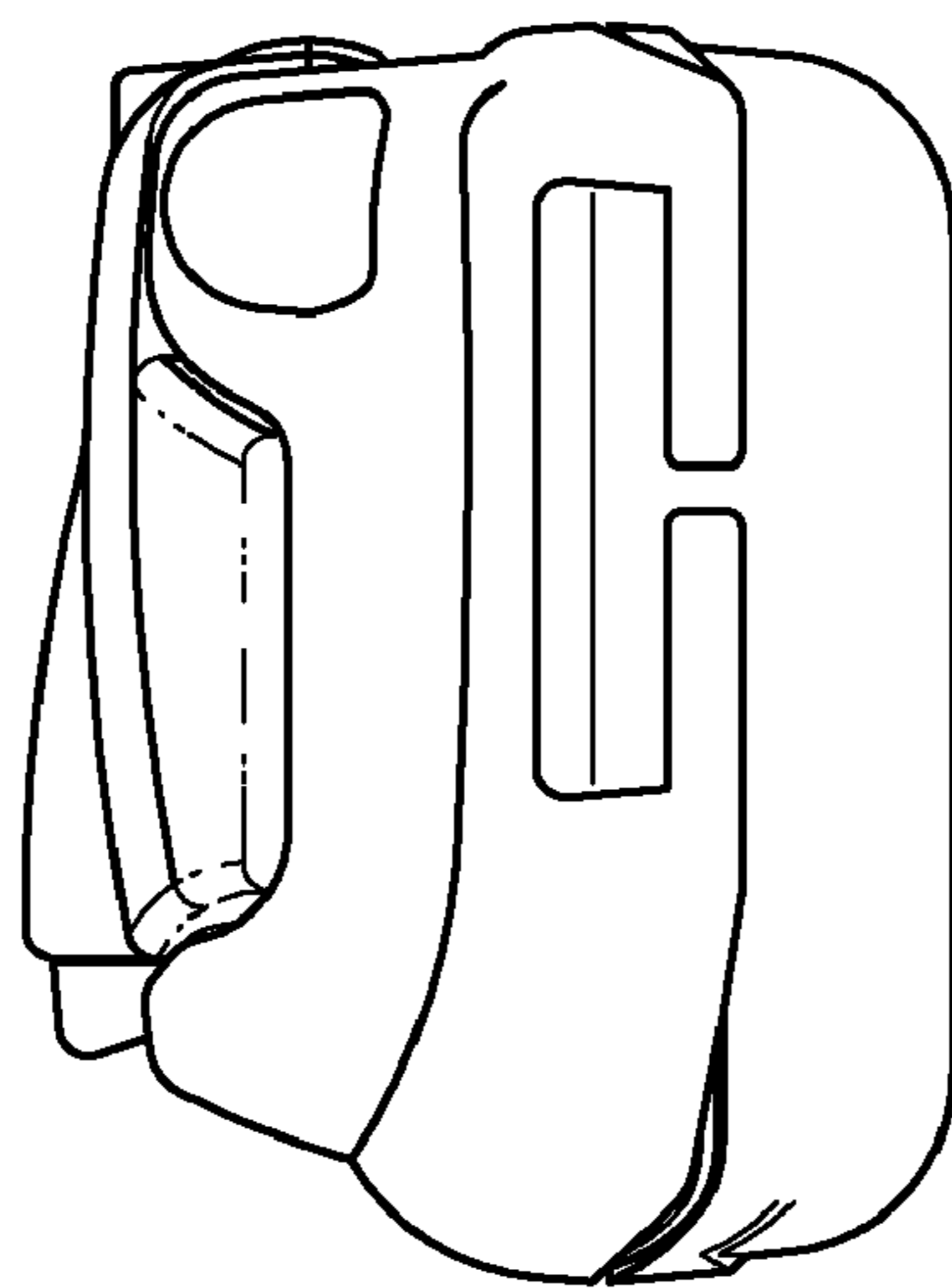


FIG. 6

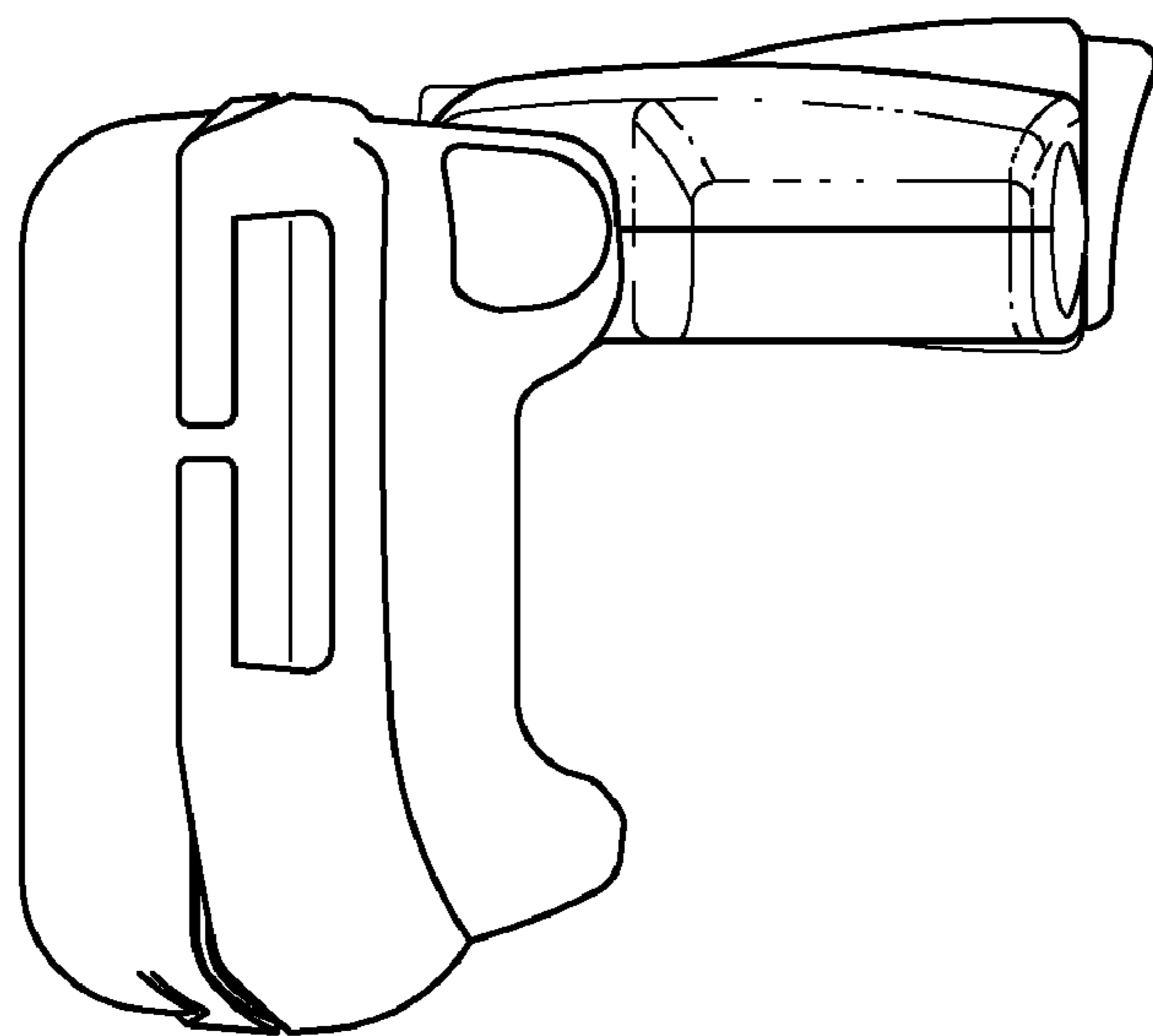


FIG. 7

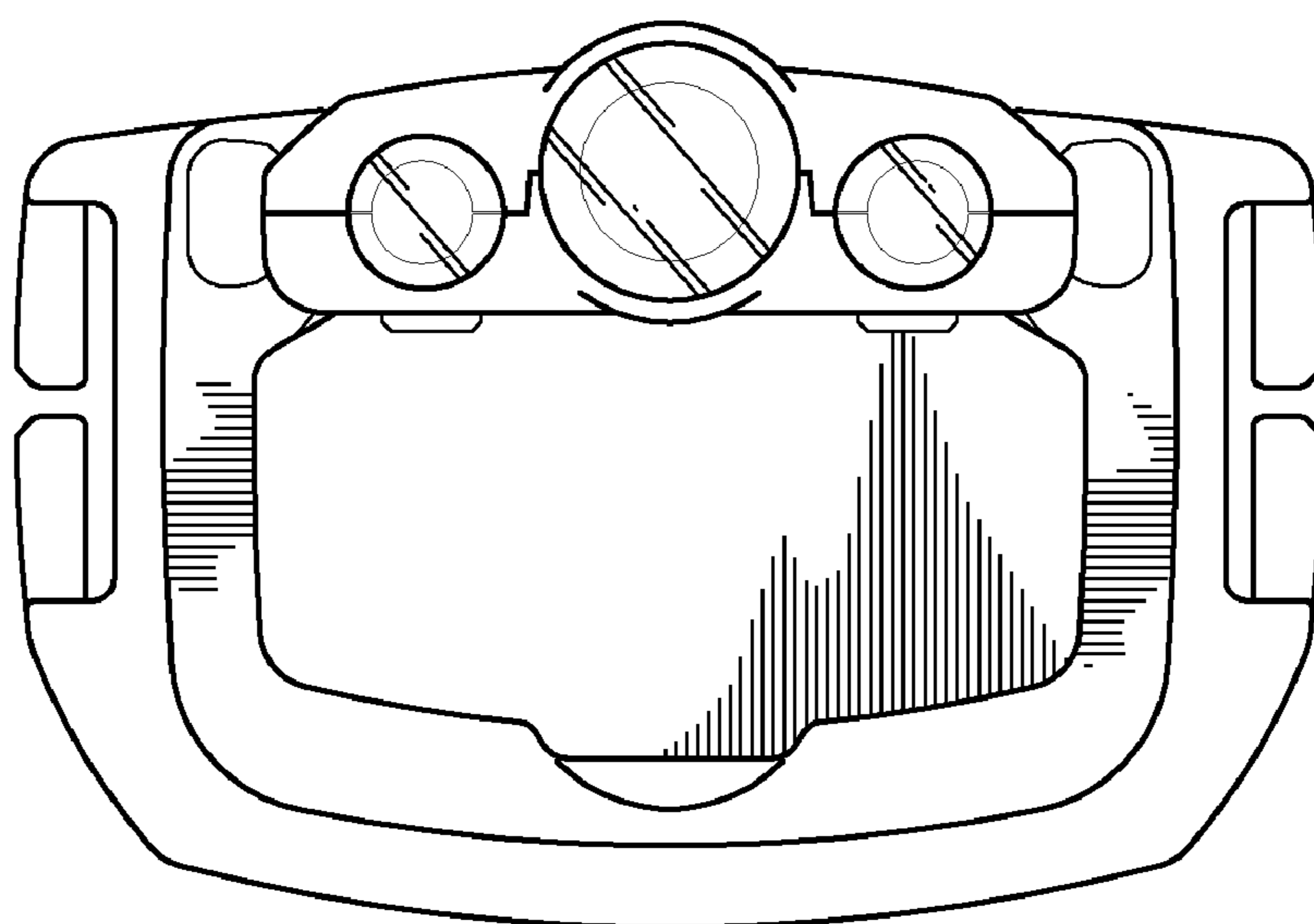


FIG. 8