



US00D555262S

(12) **United States Design Patent**  
**Lin**

(10) **Patent No.:** **US D555,262 S**

(45) **Date of Patent:** **\*\* Nov. 13, 2007**

(54) **VEHICLE LAMP**

D539,451 S \* 3/2007 Opolka ..... D26/28

(76) Inventor: **Chih-Hou Lin**, 3F., No. 16, Alley 6,  
Lane 190, Chongyang Rd., Nangang  
District, Taipei City 115 (TW)

\* cited by examiner

*Primary Examiner*—Marcus A. Jackson  
(74) *Attorney, Agent, or Firm*—Rosenberg, Klein & Lee

(\*\*) Term: **14 Years**

(57) **CLAIM**

(21) Appl. No.: **29/285,014**

The ornamental design for a vehicle lamp, as shown and described following.

(22) Filed: **Mar. 20, 2007**

**DESCRIPTION**

(51) **LOC (8) Cl.** ..... **26-06**

FIG. 1 is a perspective view of a vehicle lamp showing the new design;

(52) **U.S. Cl.** ..... **D26/28**

FIG. 2 is a front elevational view thereof;

(58) **Field of Classification Search** ..... D26/28-36;  
362/459-468, 475-478, 485-487

FIG. 3 is a rear elevational view thereof;

See application file for complete search history.

FIG. 4 is a left side elevational view thereof;

(56) **References Cited**

FIG. 5 is a right side elevational view thereof;

**U.S. PATENT DOCUMENTS**

FIG. 6 is a top plan view thereof; and,

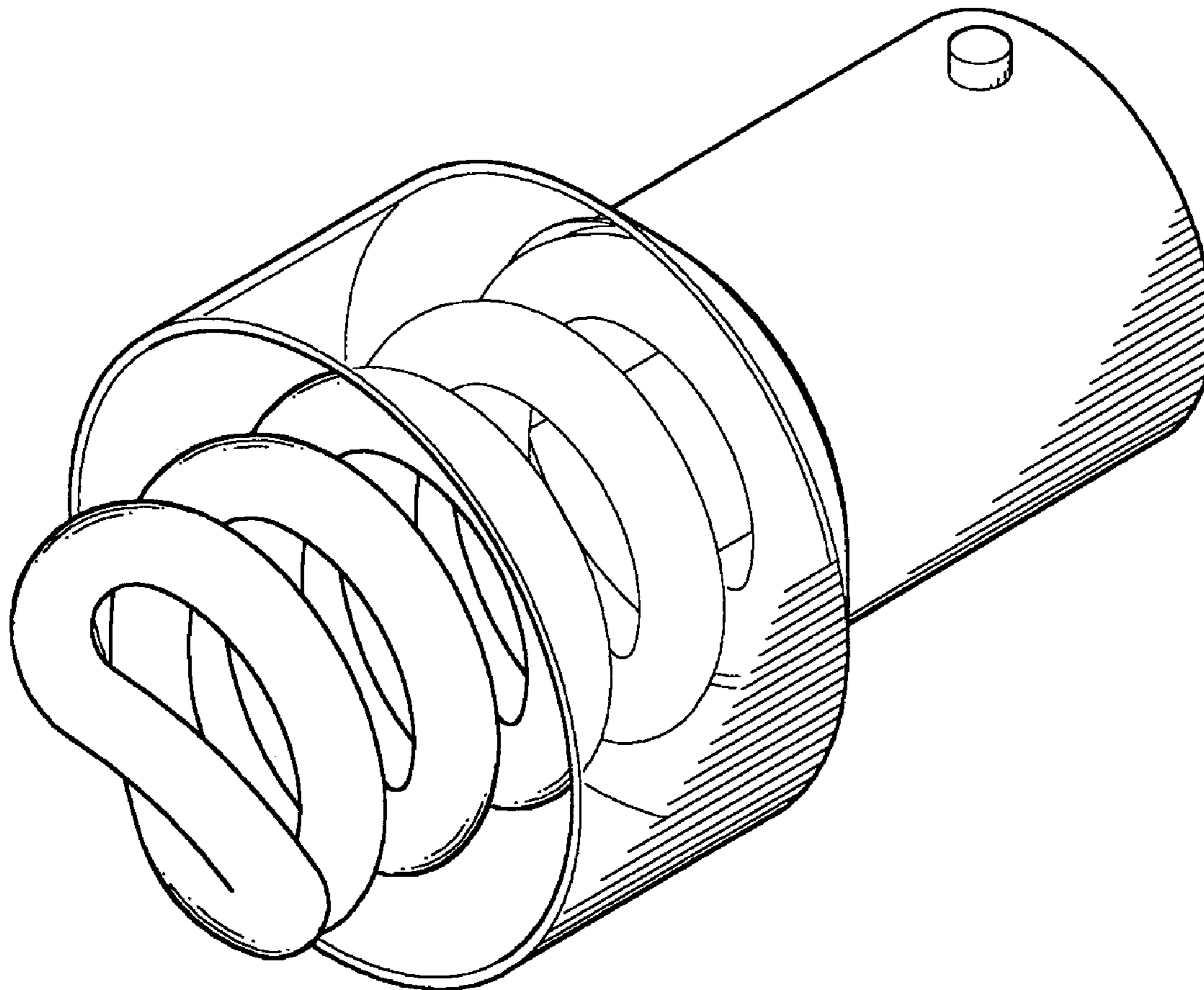
D498,311 S \* 11/2004 Leung et al. .... D26/3

FIG. 7 is a bottom plan view thereof.

D520,151 S \* 5/2006 Nakanishi et al. .... D26/2

D529,636 S \* 10/2006 Kakuno et al. .... D26/3

**1 Claim, 5 Drawing Sheets**



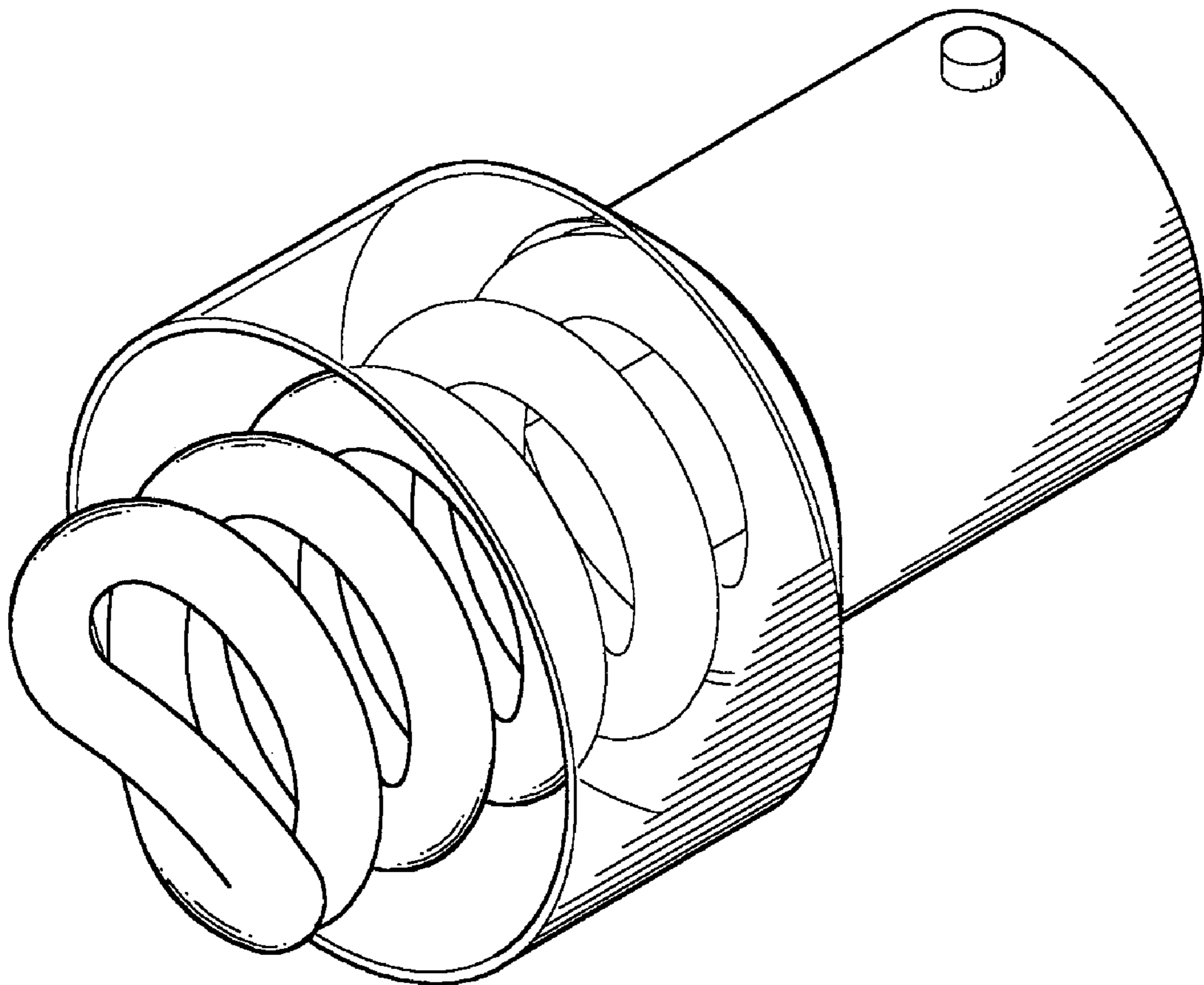


FIG. 1

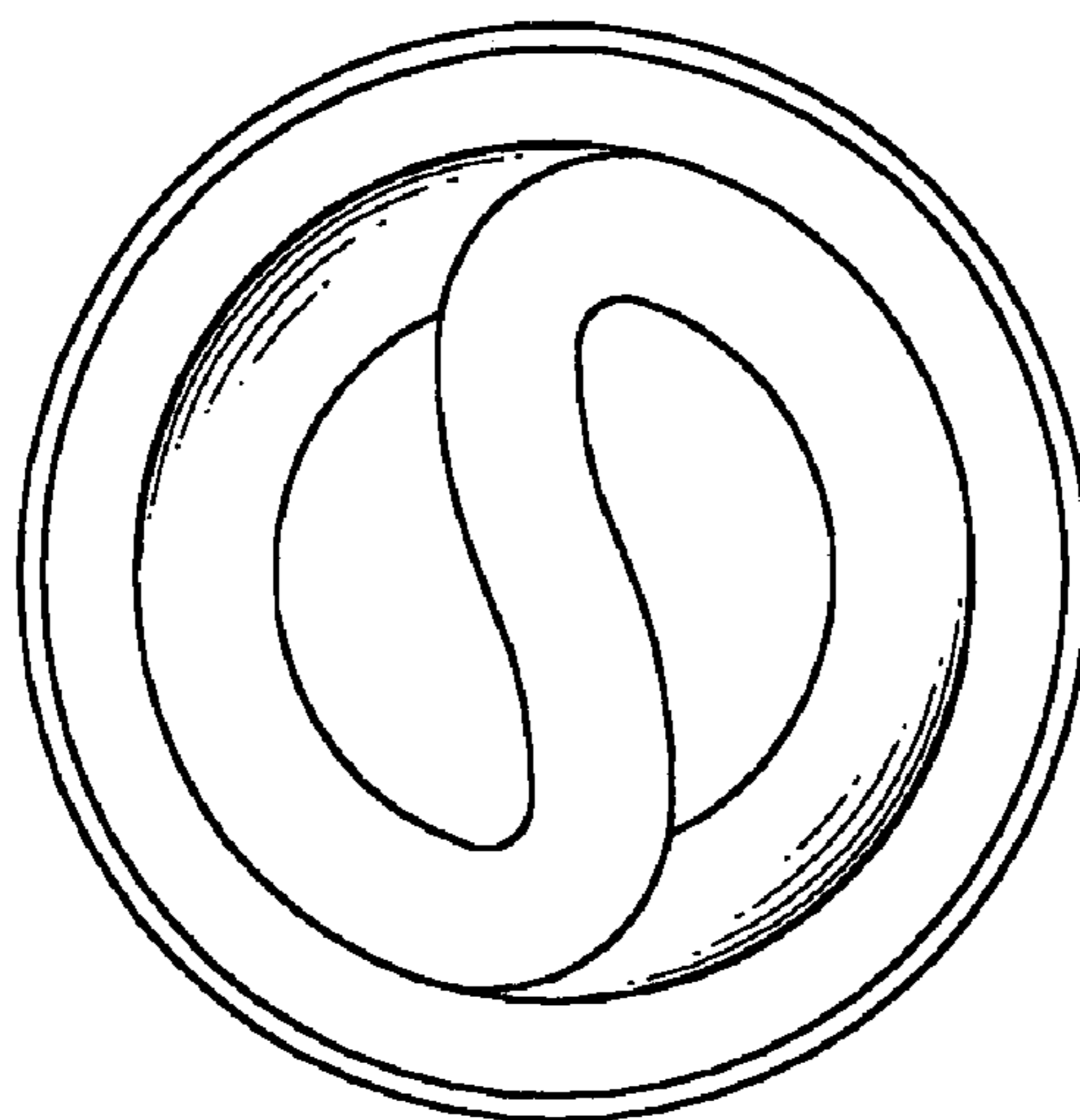


FIG. 2

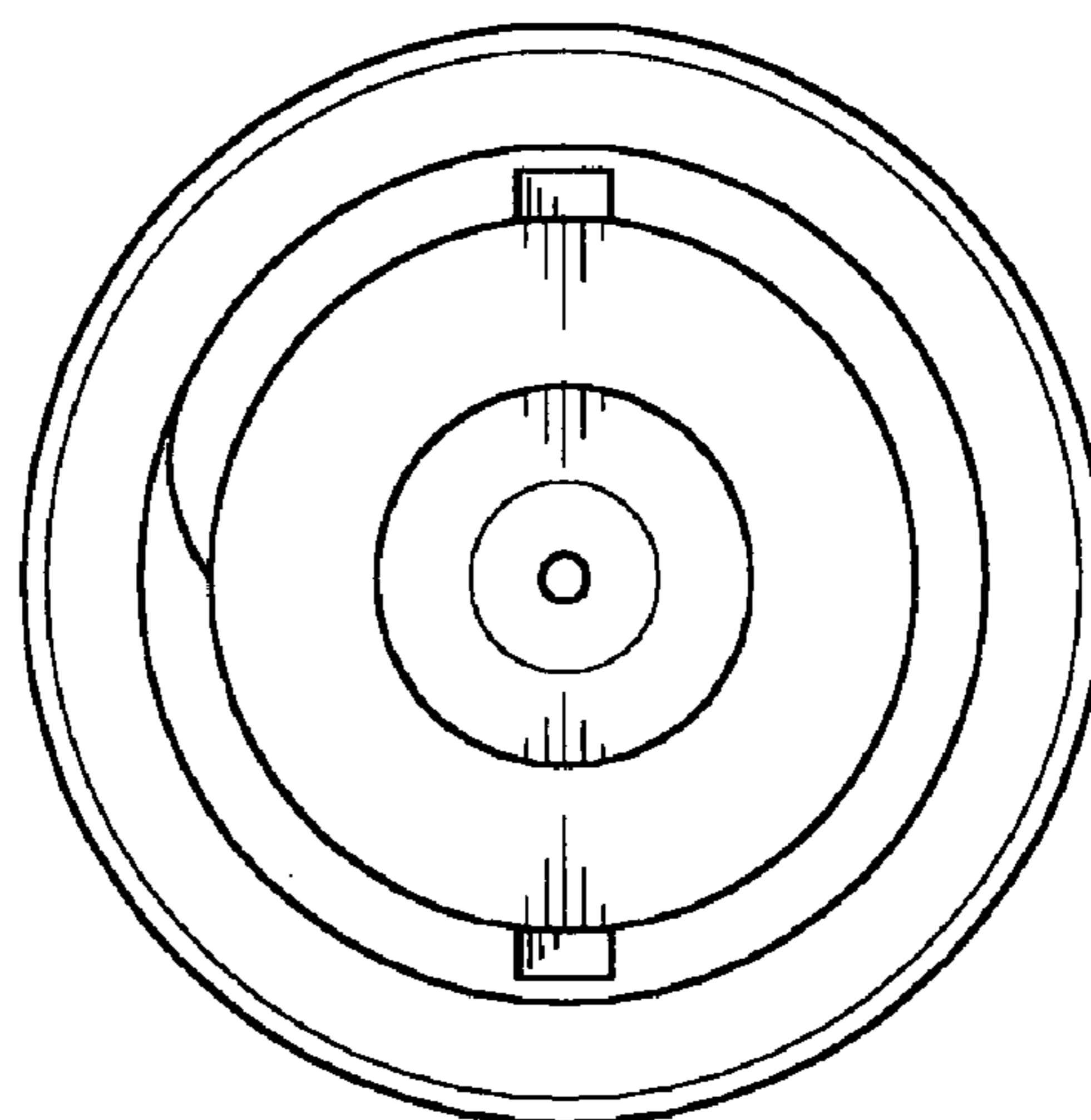


FIG. 3

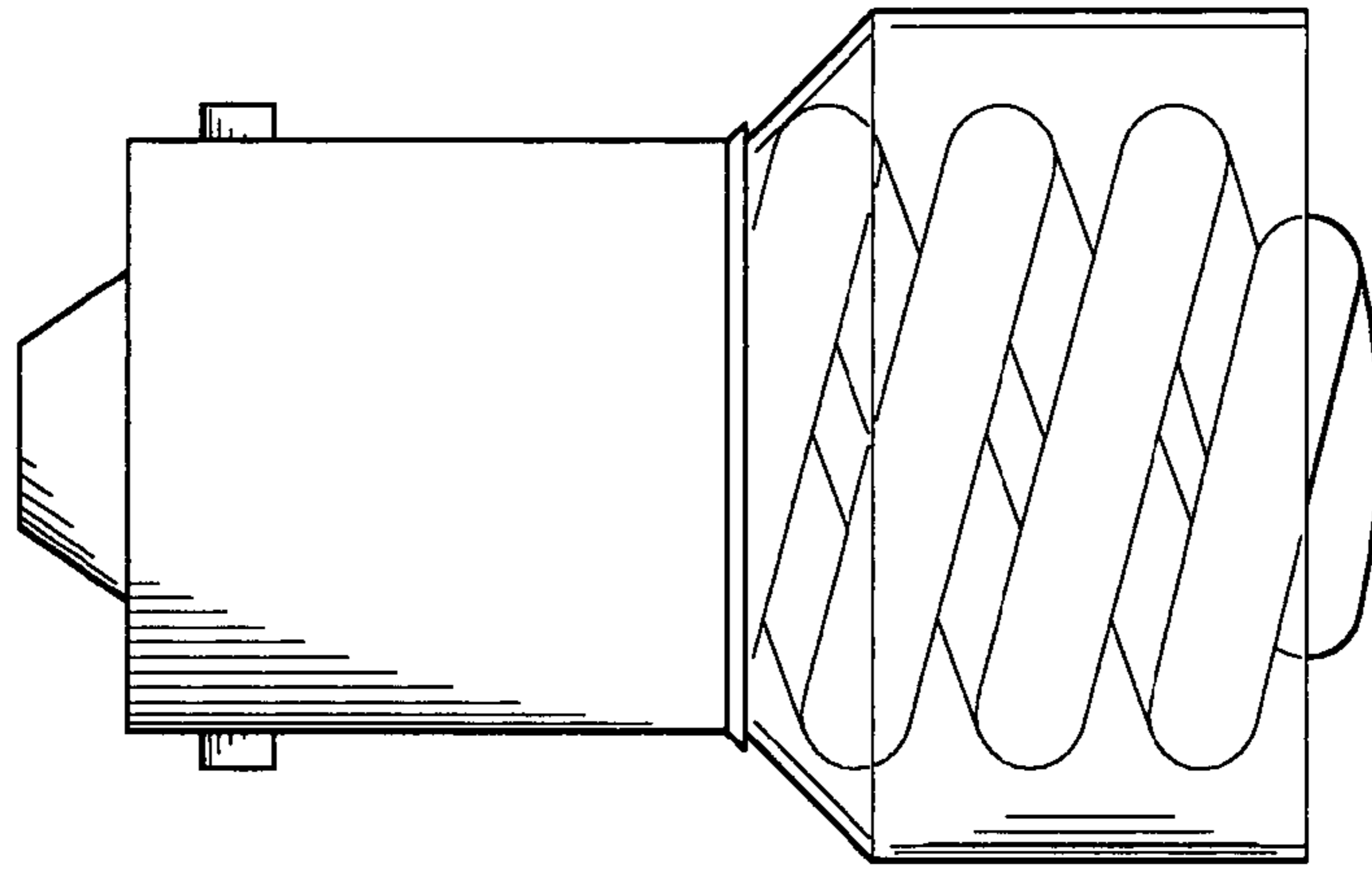


FIG. 4

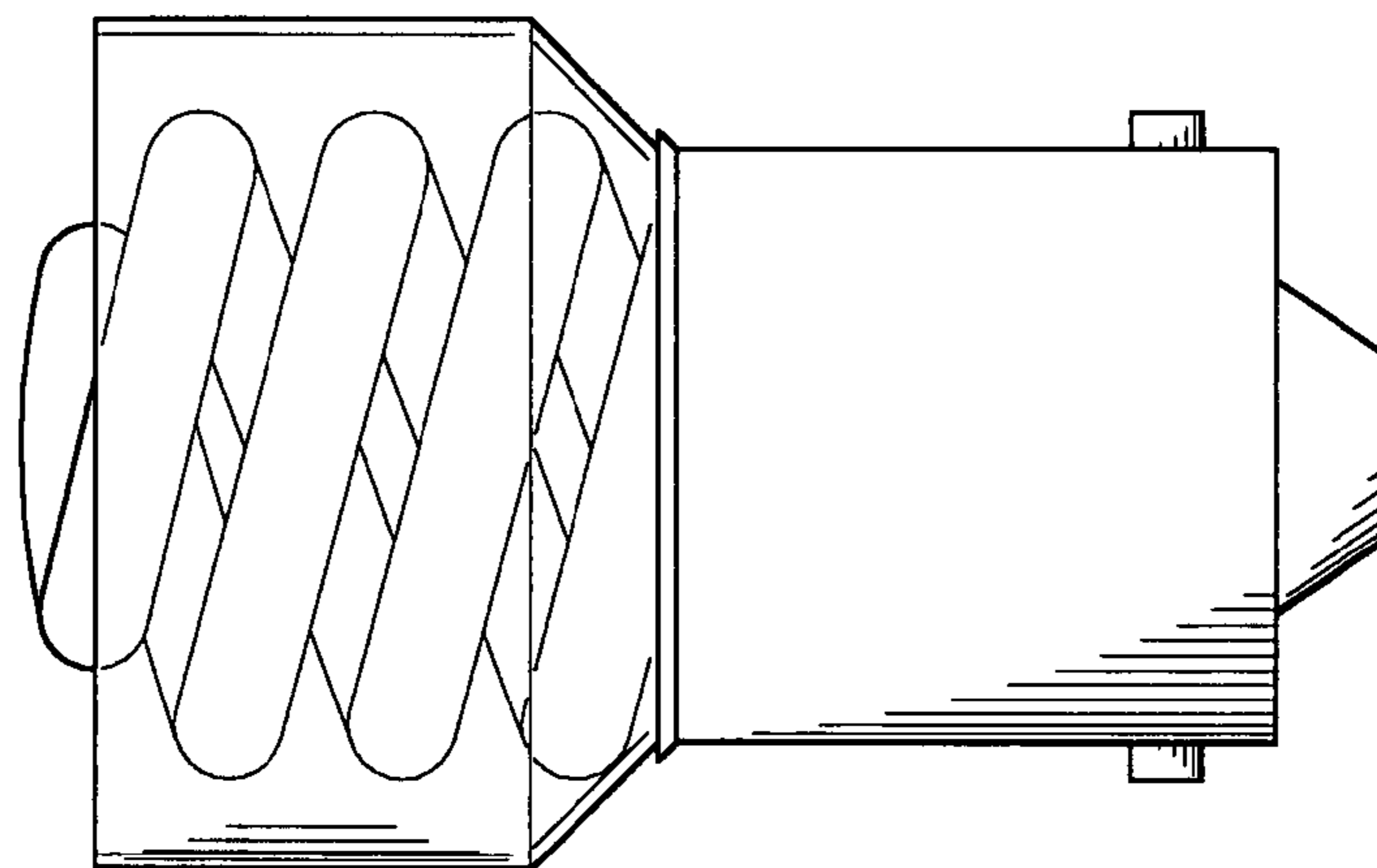


FIG. 5

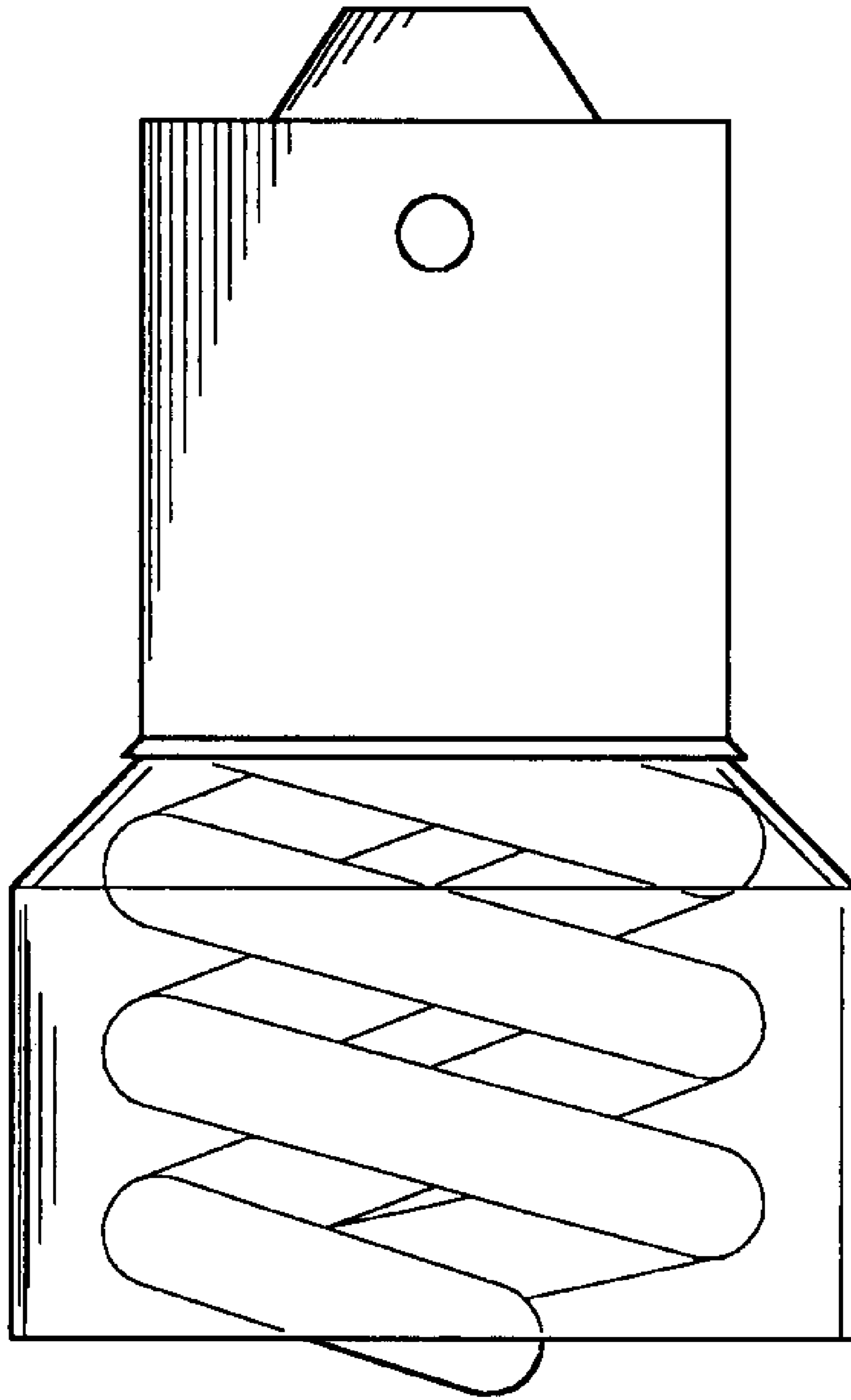


FIG. 6

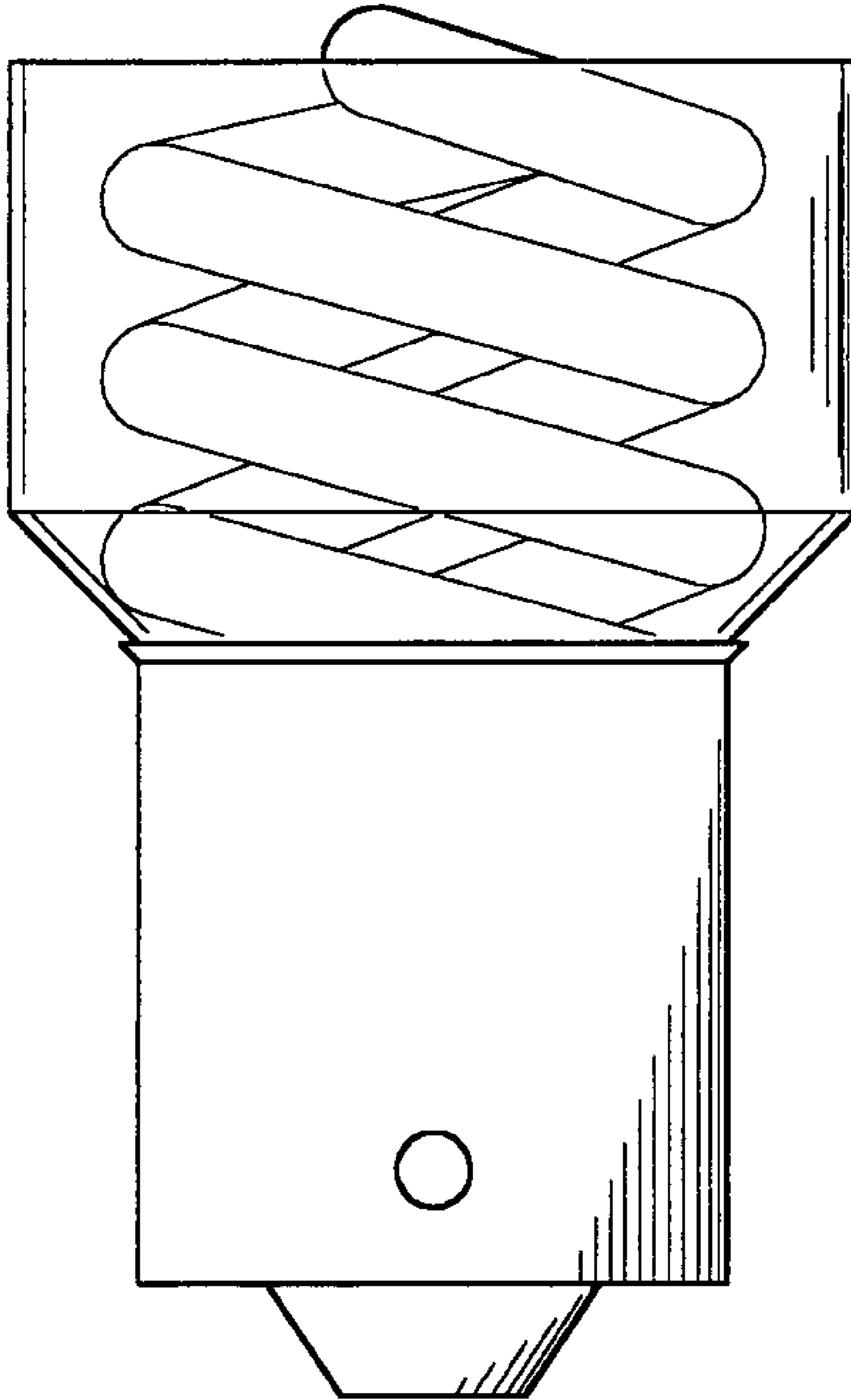


FIG. 7