



US00D555261S

(12) **United States Design Patent**
Lin

(10) **Patent No.:** **US D555,261 S**

(45) **Date of Patent:** **** Nov. 13, 2007**

(54) **VEHICLE LAMP**

(76) Inventor: **Chih-Hou Lin**, 3F, No. 16, Alley 6,
Lane 190, Chongyang Rd., Nangang
District, Taipei City 115 (TW)

(**) Term: **14 Years**

(21) Appl. No.: **29/285,007**

(22) Filed: **Mar. 20, 2007**

(51) **LOC (8) Cl.** **26-04**

(52) **U.S. Cl.** **D26/28; D26/3**

(58) **Field of Classification Search** D26/28-36,
D26/3; 313/313, 315, 317, 318; 315/52,
315/53, 56, 57, 58

See application file for complete search history.

(56) **References Cited**

U.S. PATENT DOCUMENTS

D510,149 S * 9/2005 Huang D26/28

D512,523 S * 12/2005 Leung et al. D26/3

* cited by examiner

Primary Examiner—Marcus A. Jackson

(74) *Attorney, Agent, or Firm*—Rosenberg, Klein & Lee

(57) **CLAIM**

The ornamental design for a vehicle lamp, as shown and described.

DESCRIPTION

FIG. 1 is a perspective view of a vehicle lamp showing the new design;

FIG. 2 is a front elevational view thereof;

FIG. 3 is a rear elevational view thereof;

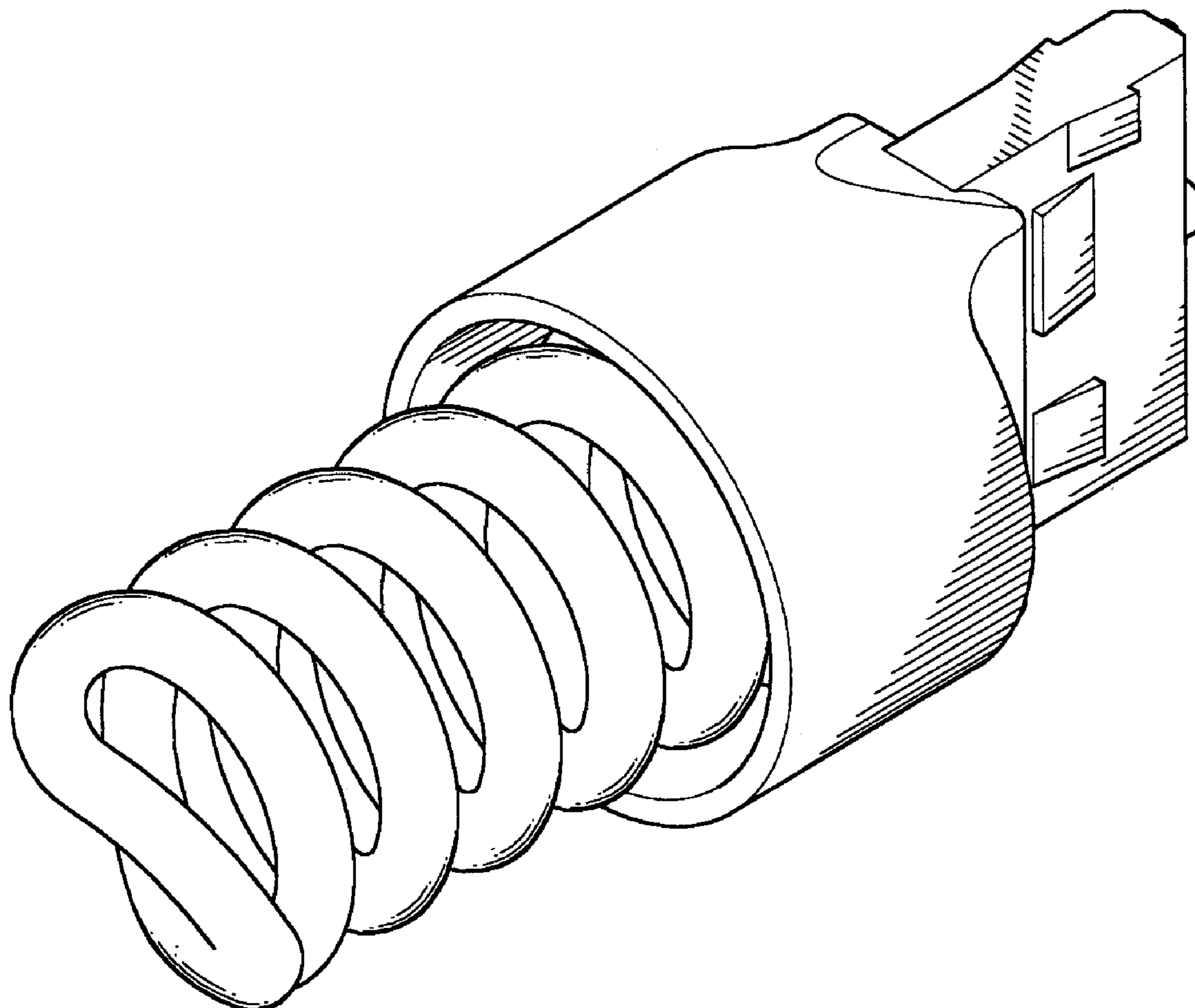
FIG. 4 is a left side elevational view thereof;

FIG. 5 is a right side elevational view thereof;

FIG. 6 is a top plan view thereof; and,

FIG. 7 is a bottom plan view thereof.

1 Claim, 5 Drawing Sheets



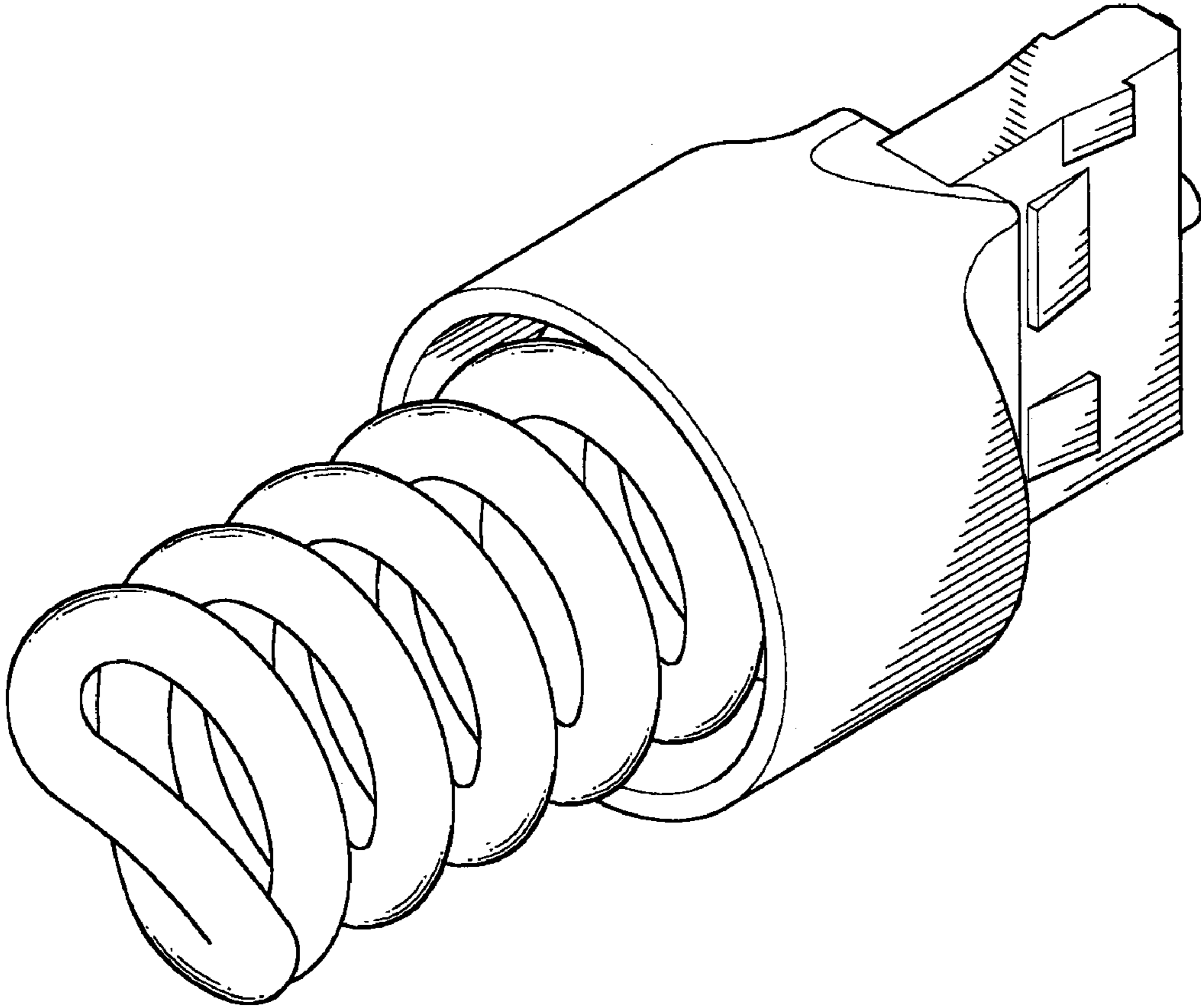


FIG.1

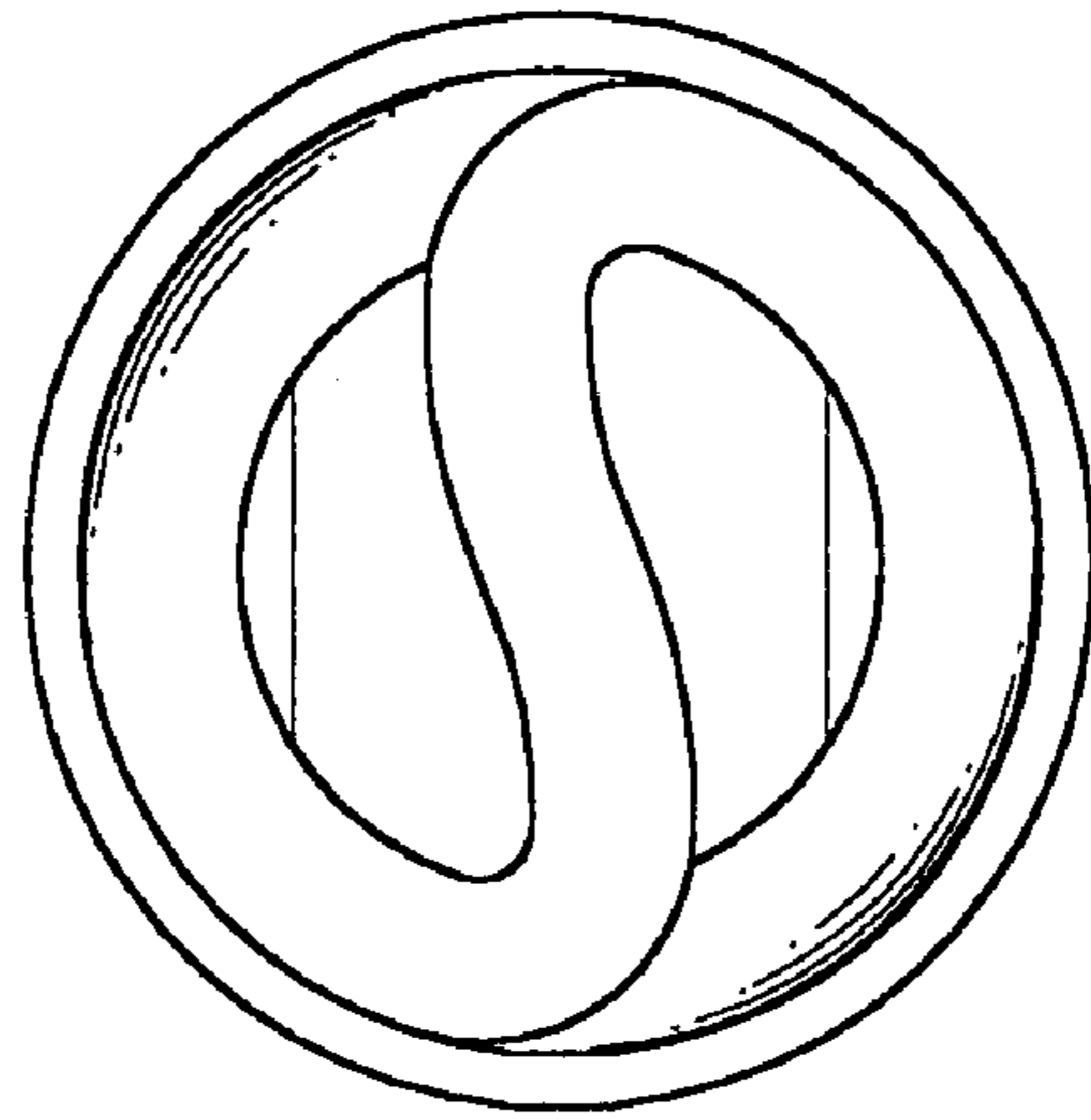


FIG. 2

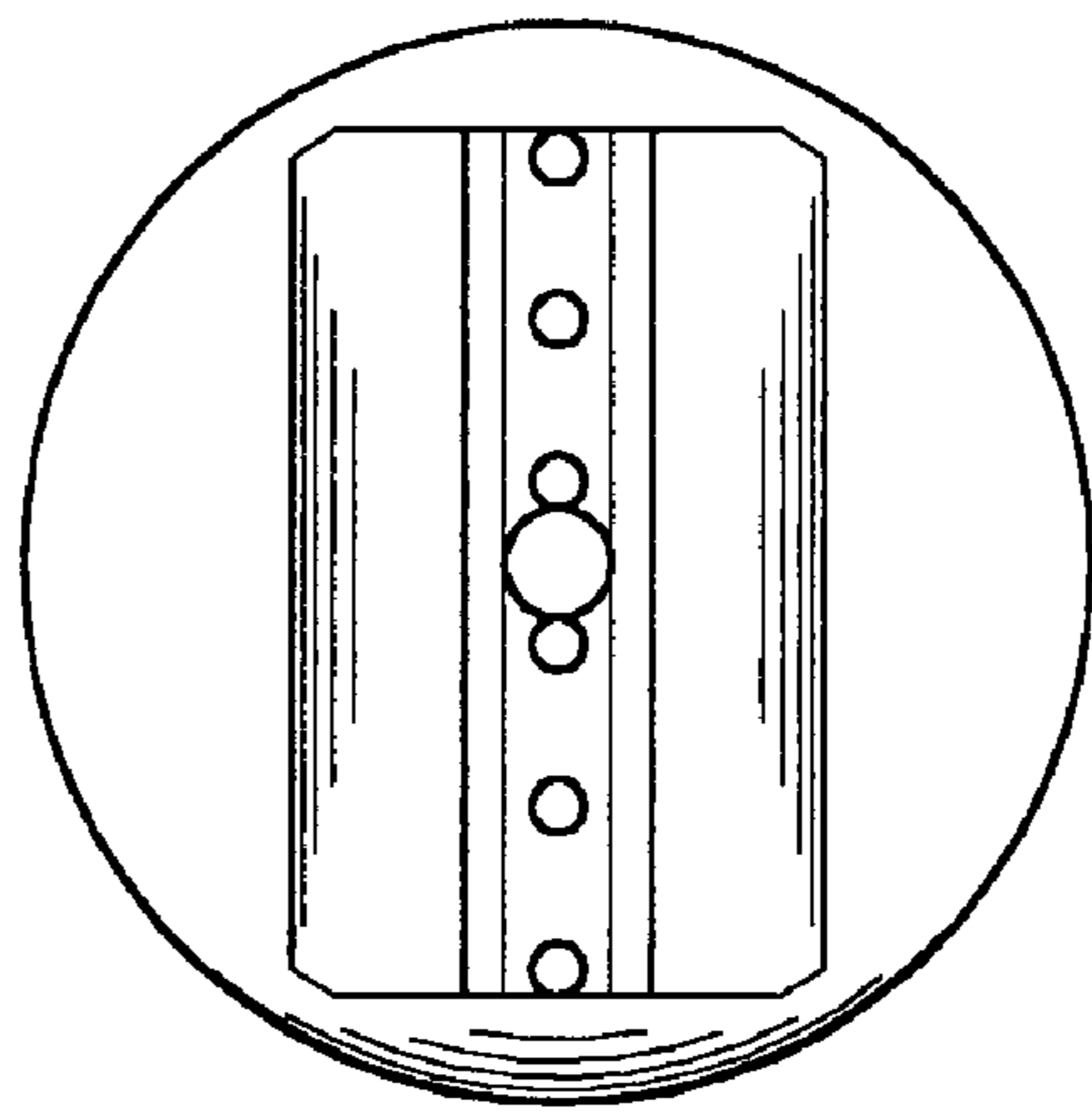


FIG. 3

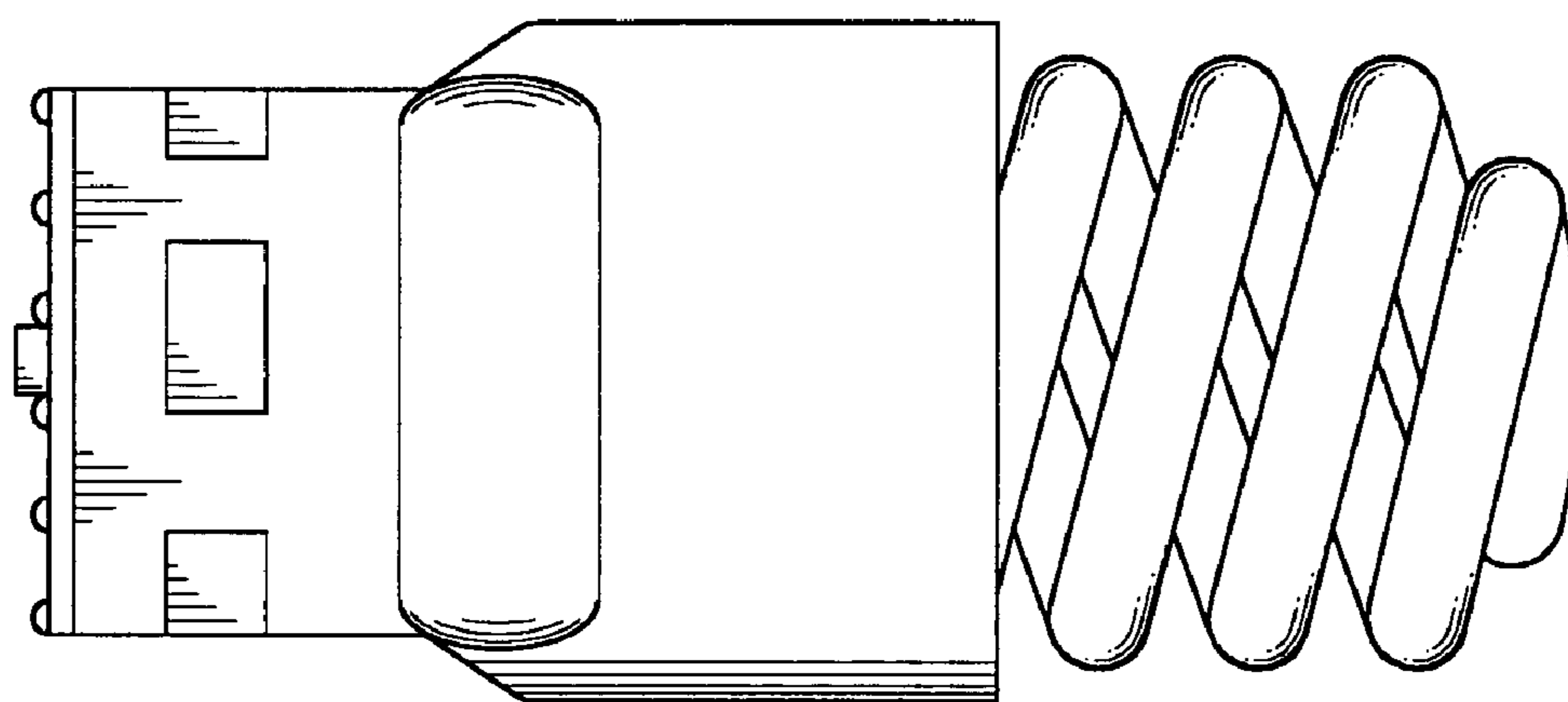


FIG. 4

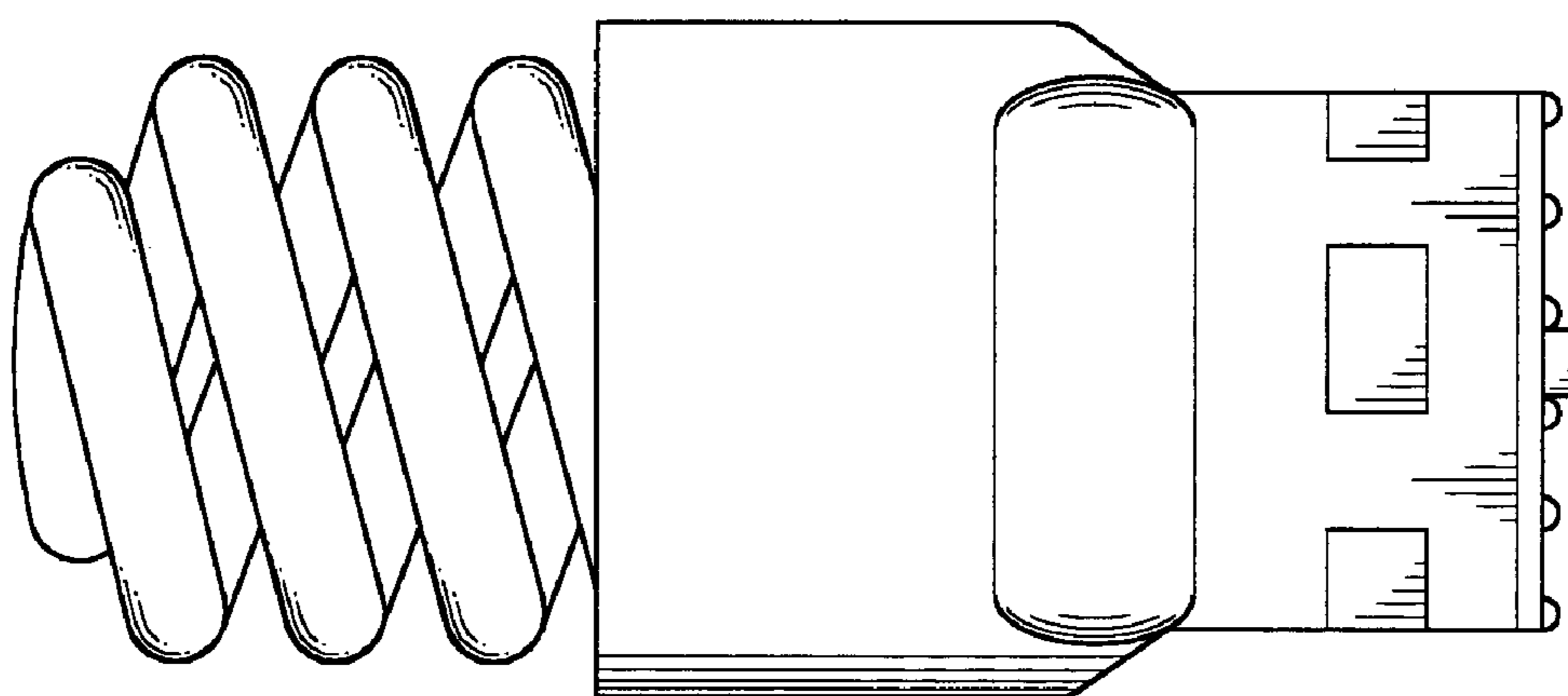


FIG. 5

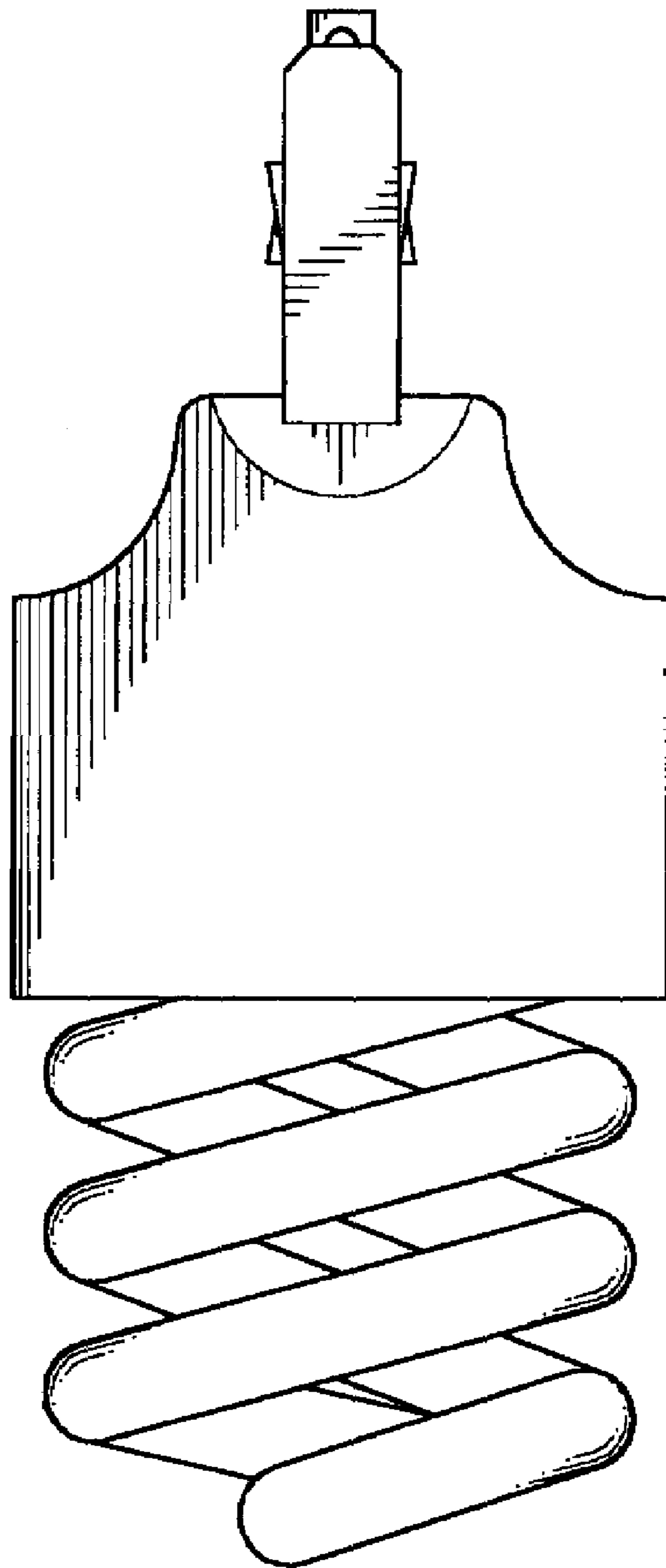


FIG.6

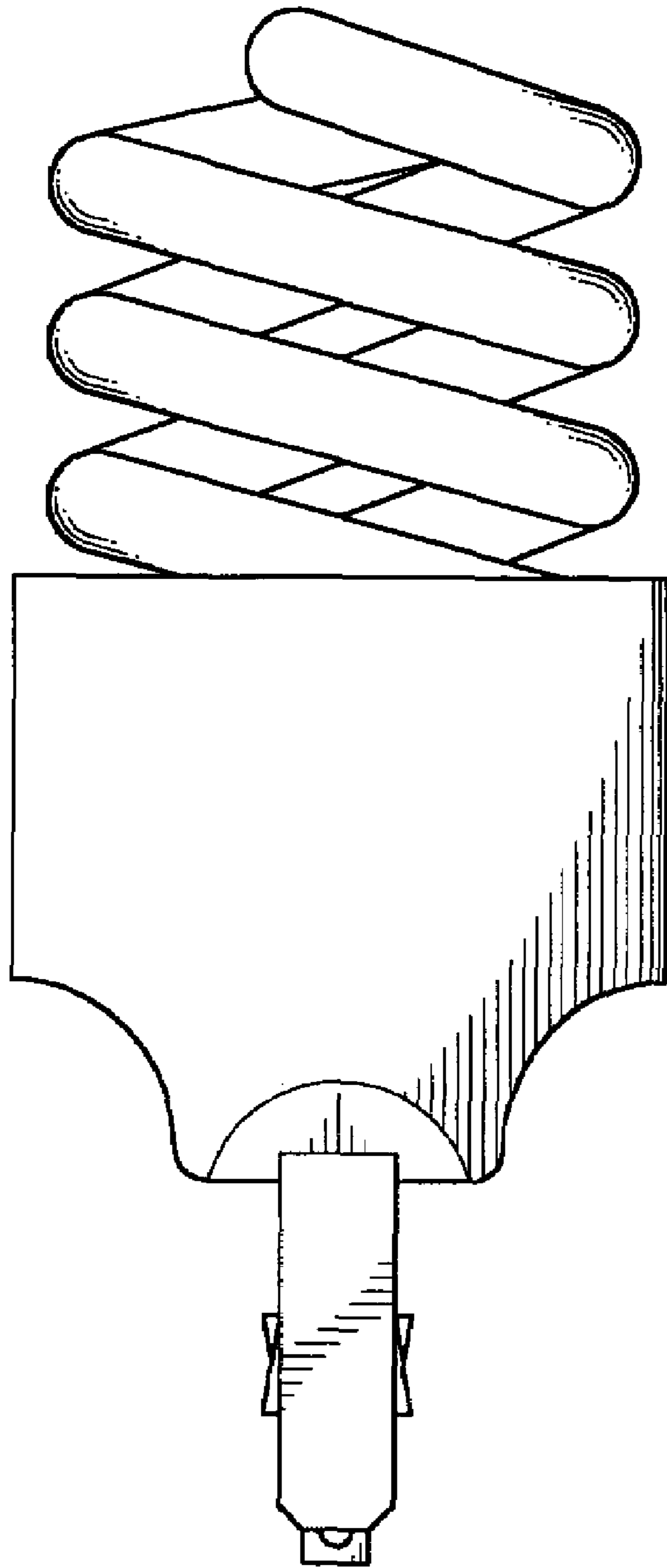


FIG.7