



US00D555252S

(12) **United States Design Patent**  
**Kitayama et al.**

(10) **Patent No.:** **US D555,252 S**

(45) **Date of Patent:** **\*\* Nov. 13, 2007**

(54) **PROBE FOR AN ULTRASONIC DIAGNOSIS APPARATUS**

(75) Inventors: **Masahiko Kitayama**, Mitaka (JP);  
**Makoto Murakami**, Yokohama (JP);  
**Hiroko Nakano**, Setagaya-ku (JP)

(73) Assignees: **Kabushiki Kaisha Toshiba** (JP);  
**Toshiba Medical Systems Corporation**  
(JP)

(\*\*) Term: **14 Years**

(21) Appl. No.: **29/227,425**

(22) Filed: **Apr. 12, 2005**

(30) **Foreign Application Priority Data**

Jan. 26, 2005 (JP) ..... 2005-001880

(51) **LOC (8) Cl.** ..... **24-01**

(52) **U.S. Cl.** ..... **D24/186**

(58) **Field of Classification Search** ..... D24/107,  
D24/186, 187; D10/60, 78, 103; 128/660.01-660.09,  
128/660.1, 662.03-662.06; 310/17, 334;  
600/439, 443, 446, 459  
See application file for complete search history.

(56) **References Cited**

**U.S. PATENT DOCUMENTS**

- D316,376 S \* 4/1991 Dubut ..... D10/103
- D319,793 S \* 9/1991 Dubut ..... D10/60
- D328,495 S \* 8/1992 Ungari ..... D24/187
- D343,801 S \* 2/1994 Burns et al. .... D10/78
- D369,307 S \* 4/1996 Imling et al. .... D10/78
- D387,867 S \* 12/1997 Henderson et al. .... D24/187
- D389,918 S \* 1/1998 Ninomiya et al. .... D24/186

- D389,919 S \* 1/1998 Ninomiya et al. .... D24/186
- D390,959 S \* 2/1998 Mesaros et al. .... D24/186
- D392,044 S \* 3/1998 Mesaros et al. .... D24/186
- D403,421 S \* 12/1998 Cody et al. .... D24/186
- D425,980 S \* 5/2000 Last et al. .... D24/107
- D462,446 S \* 9/2002 Felix et al. .... D24/187

**FOREIGN PATENT DOCUMENTS**

- JP 857706 1/1993
- JP 961744 8/1996
- JP 1020387 9/1998
- JP 1138541 4/2002
- JP 1177117 6/2003

\* cited by examiner

*Primary Examiner*—Louis Zarfaz

*Assistant Examiner*—Mark Cavanna

(74) *Attorney, Agent, or Firm*—Banner & Witcoff, Ltd.

(57) **CLAIM**

The ornamental design for a probe for an ultrasonic diagnosis apparatus, as shown and described.

**DESCRIPTION**

FIG. 1 is a front, bottom and left side perspective view of a probe for an ultrasonic diagnosis apparatus, showing our new design;

FIG. 2 is a front elevational view thereof;

FIG. 3 is a rear elevational view thereof;

FIG. 4 is a top plan view thereof;

FIG. 5 is a bottom plan view thereof;

FIG. 6 is a right side elevational view thereof; and,

FIG. 7 is a left side elevational view thereof.

**1 Claim, 4 Drawing Sheets**





FIG.1

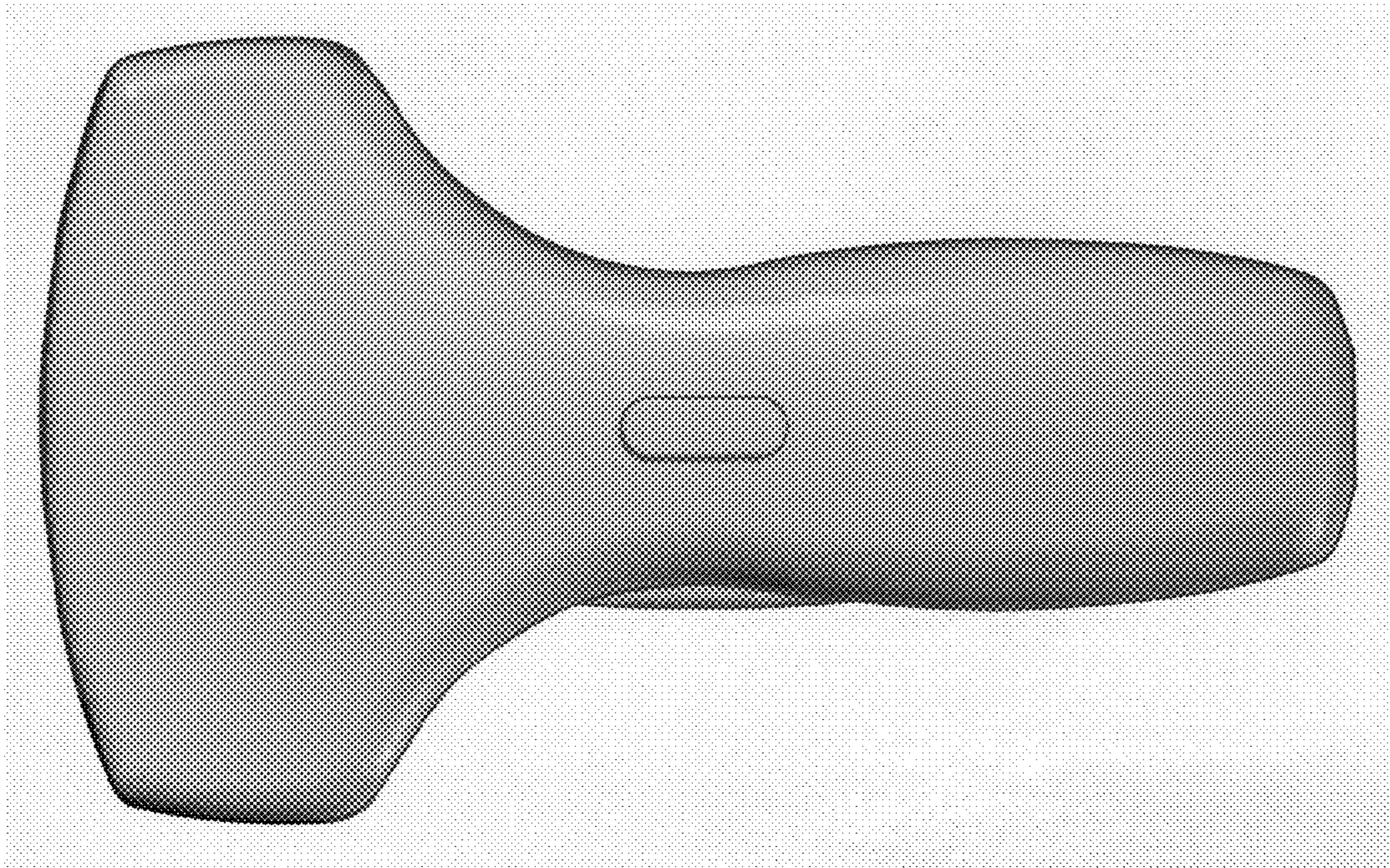


FIG. 2

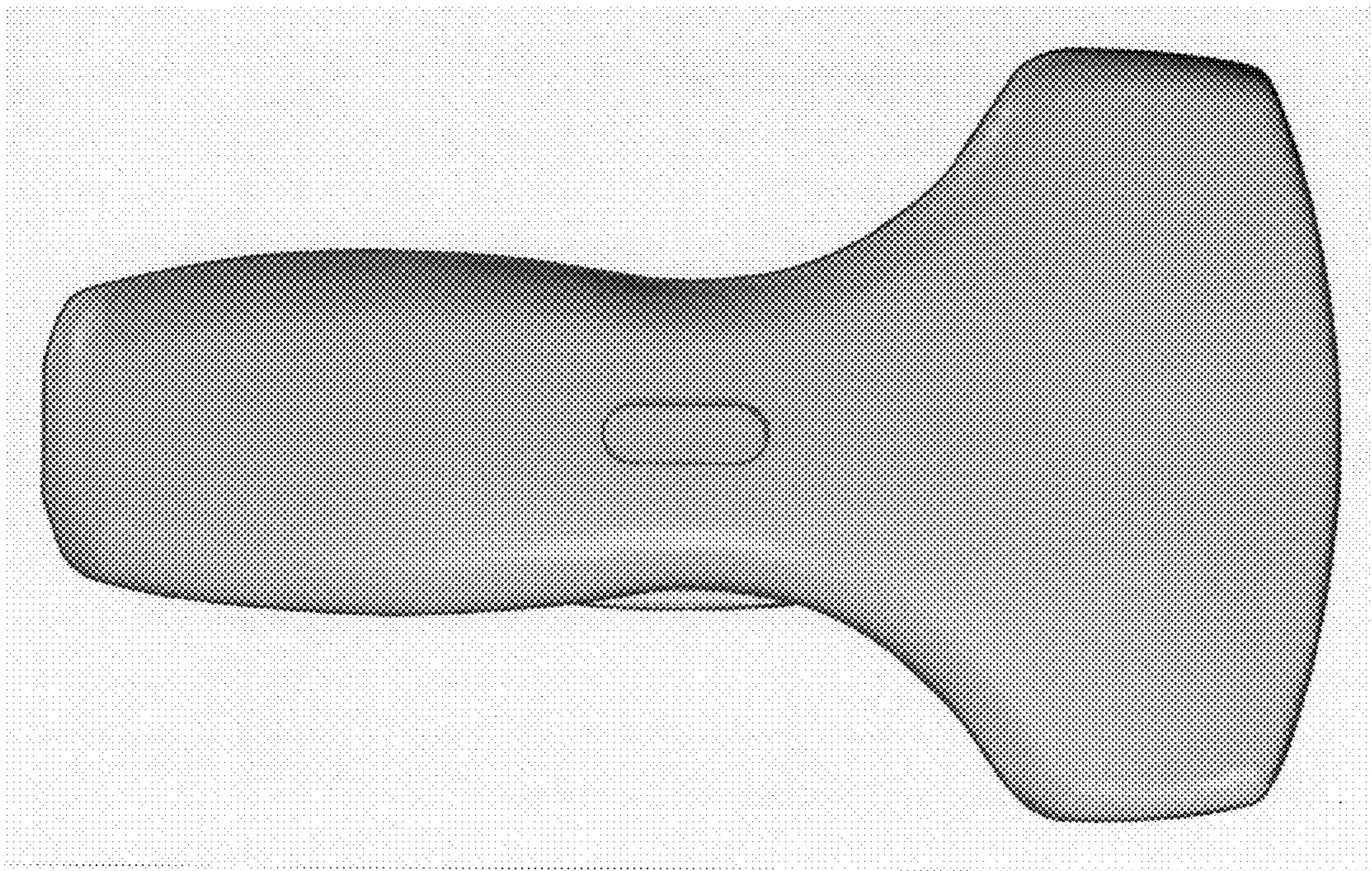


FIG. 3

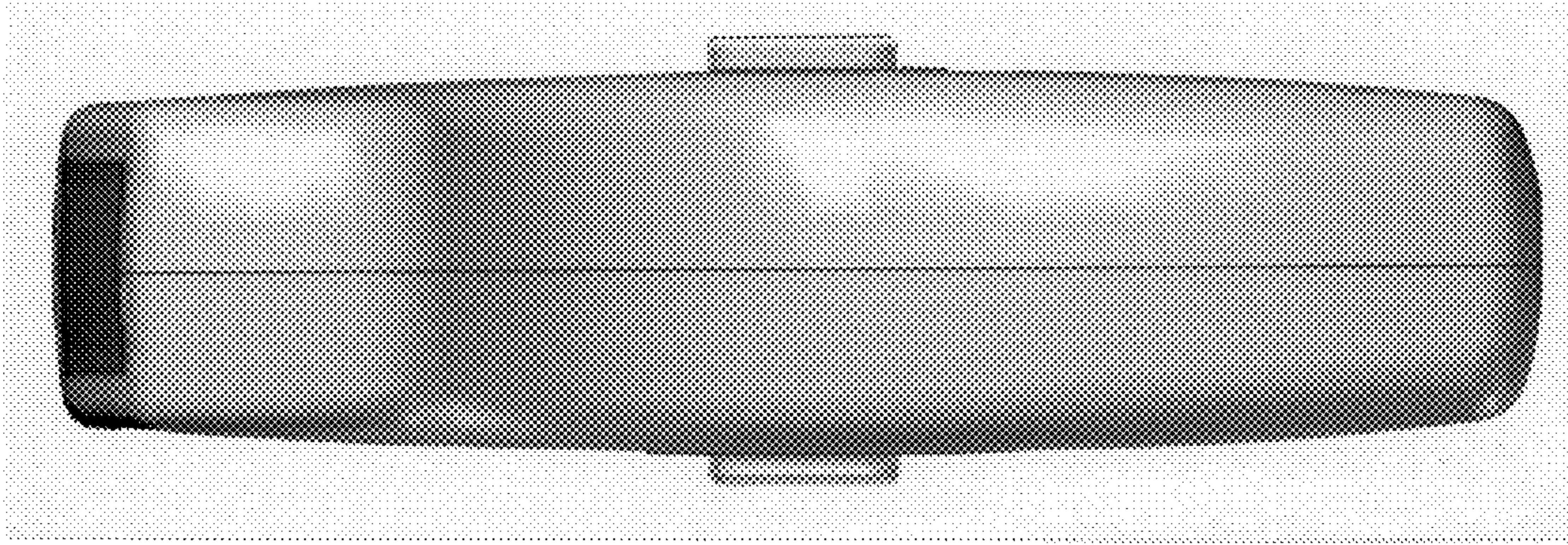


FIG. 4

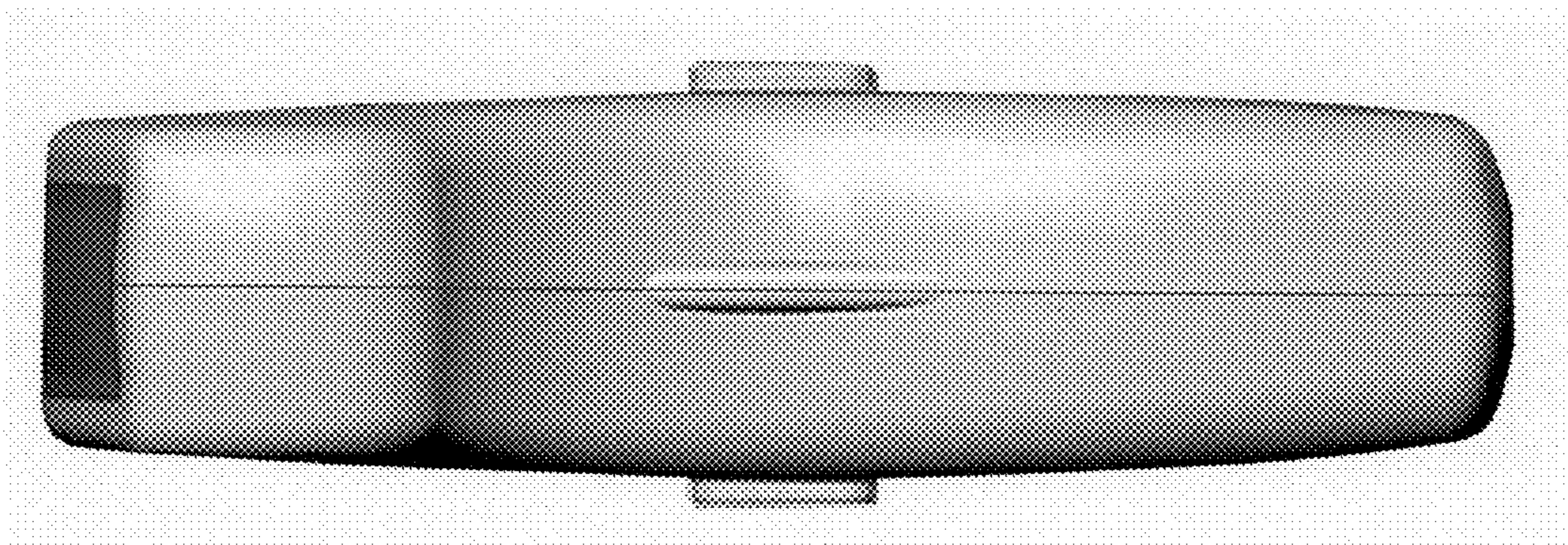


FIG. 5

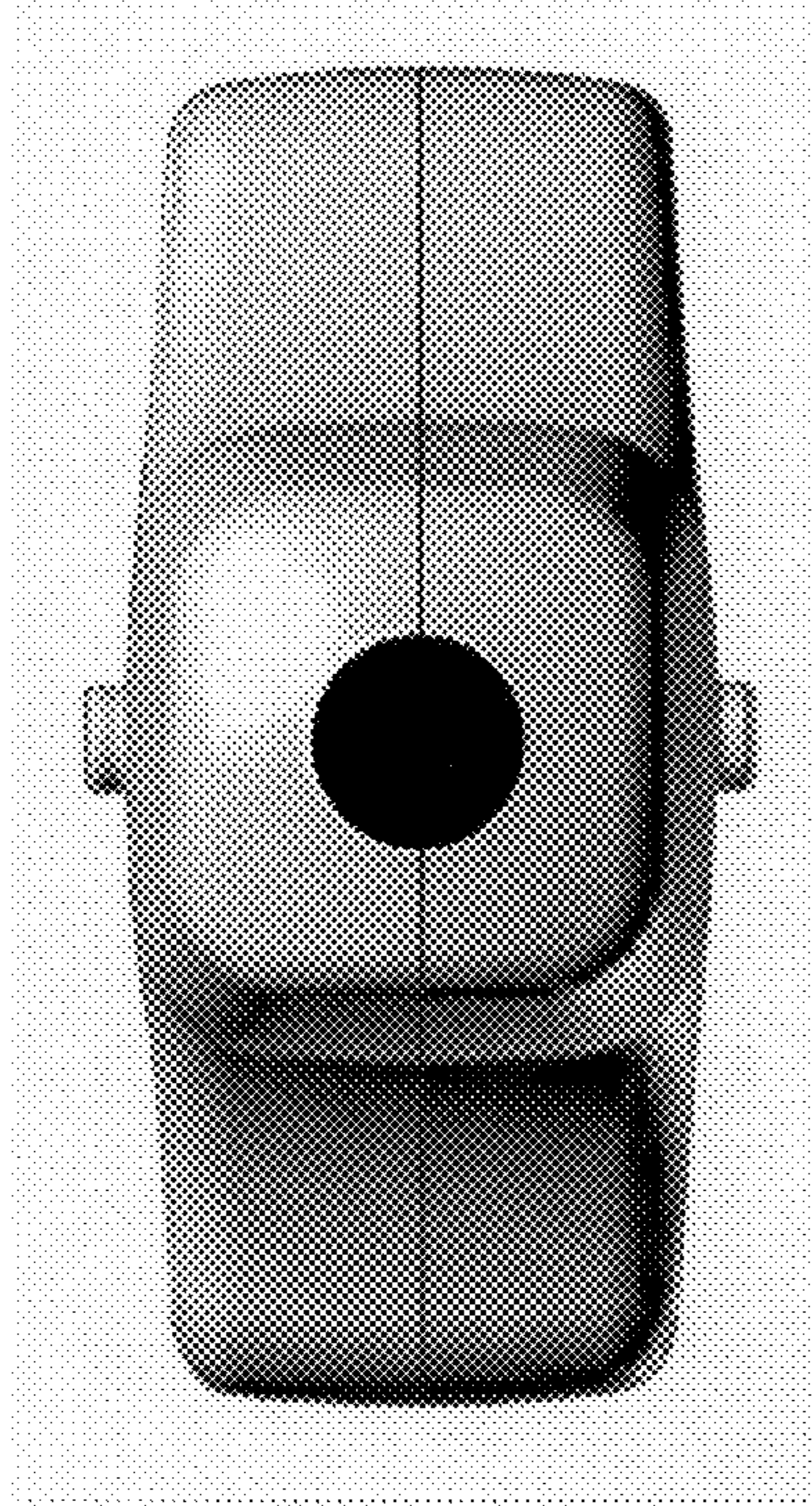


FIG. 6

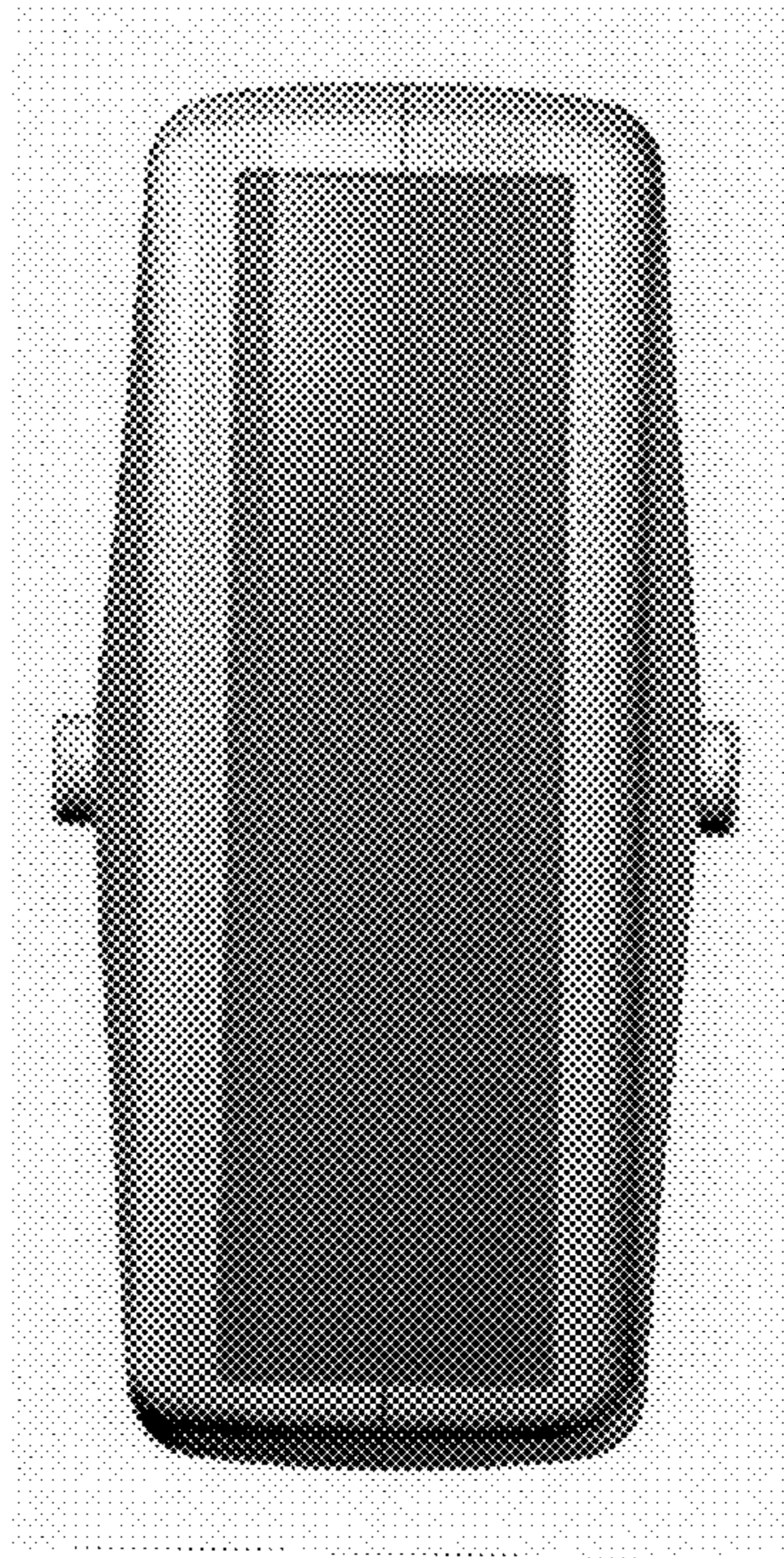


FIG. 7