



US00D555251S

(12) **United States Design Patent**
Riach

(10) **Patent No.:** **US D555,251 S**

(45) **Date of Patent:** **** Nov. 13, 2007**

(54) **POSITIONING DEVICE**

(75) Inventor: **Jeffrey M. Riach**, Cockeysville, MD
(US)

(73) Assignee: **Oakworks, Inc.**, New Freedom, PA
(US)

(**) Term: **14 Years**

(21) Appl. No.: **29/253,582**

(22) Filed: **Feb. 9, 2006**

(51) **LOC (8) Cl.** **24-01**

(52) **U.S. Cl.** **D24/184**

(58) **Field of Classification Search** D24/183-184;
D6/595, 596, 601, 604; 5/621, 630, 633,
5/636-638, 640, 652-654, 661; 297/391
See application file for complete search history.

(56) **References Cited**

U.S. PATENT DOCUMENTS

2,099,977	A	11/1937	Harris	
3,828,377	A	8/1974	Eary, Sr.	
4,398,707	A	8/1983	Cloward	
4,840,362	A	6/1989	Bremer et al.	
4,923,187	A	5/1990	Mombrinie	
5,177,823	A	1/1993	Riach	
5,401,078	A	3/1995	Riach	
5,427,436	A *	6/1995	Lloyd	5/622
5,661,860	A	9/1997	Heitz	
5,778,887	A	7/1998	Curtiss	
5,987,675	A	11/1999	Kim	
D419,024	S *	1/2000	Lenahan et al.	D6/601
6,148,460	A *	11/2000	Fried et al.	5/661

6,151,734	A *	11/2000	Lawrie	5/640
6,154,903	A	12/2000	Wai-Chung	
D445,624	S *	7/2001	Futagami	D6/604
D455,495	S *	4/2002	Tinsley	D24/183
6,397,414	B1	6/2002	Lloyd	
6,718,581	B2	4/2004	Riach	
6,718,582	B1 *	4/2004	Tinsley	5/636
6,758,447	B2 *	7/2004	Tinsley	5/621
D497,430	S *	10/2004	Tinsley	D24/184
6,928,679	B1 *	8/2005	Gross	5/638
7,036,168	B1 *	5/2006	Knickerbocker	5/640
7,089,613	B2 *	8/2006	Cohen	5/637
2002/0184706	A1	12/2002	Riach	

* cited by examiner

Primary Examiner—Robert A. Delehanty

Assistant Examiner—Mark Cavanna

(74) *Attorney, Agent, or Firm*—Daniel S. Song;
NixonPeabody, LLP

(57) **CLAIM**

The ornamental design for a positioning device, as shown and described.

DESCRIPTION

FIG. 1 is a perspective view of a positioning device showing the new design;

FIG. 2 is a right side view thereof;

FIG. 3 is a top view thereof;

FIG. 4 is a back view thereof;

FIG. 5 is a front view thereof; and,

FIG. 6 is a bottom view thereof.

1 Claim, 3 Drawing Sheets

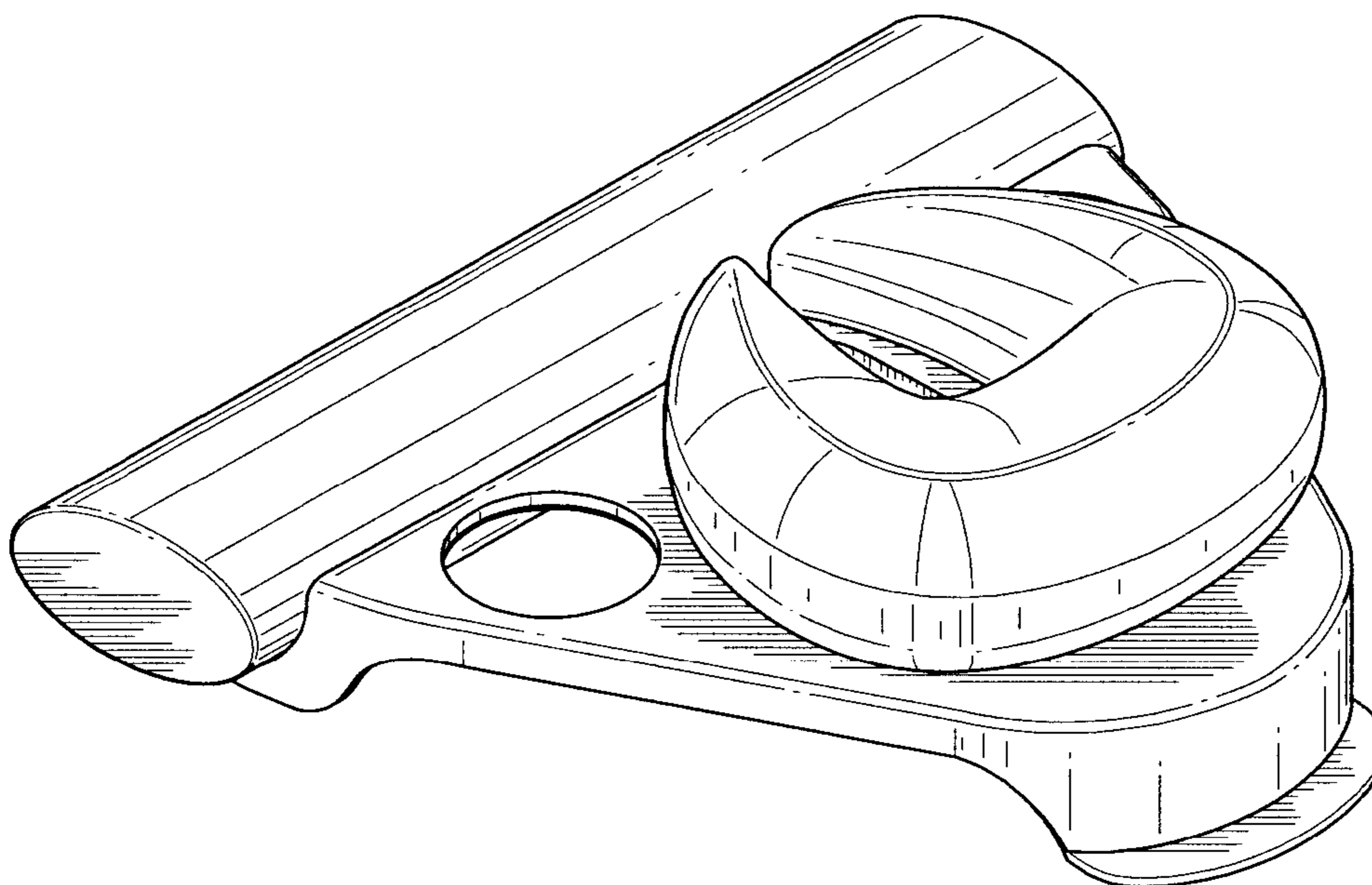


FIG. 1

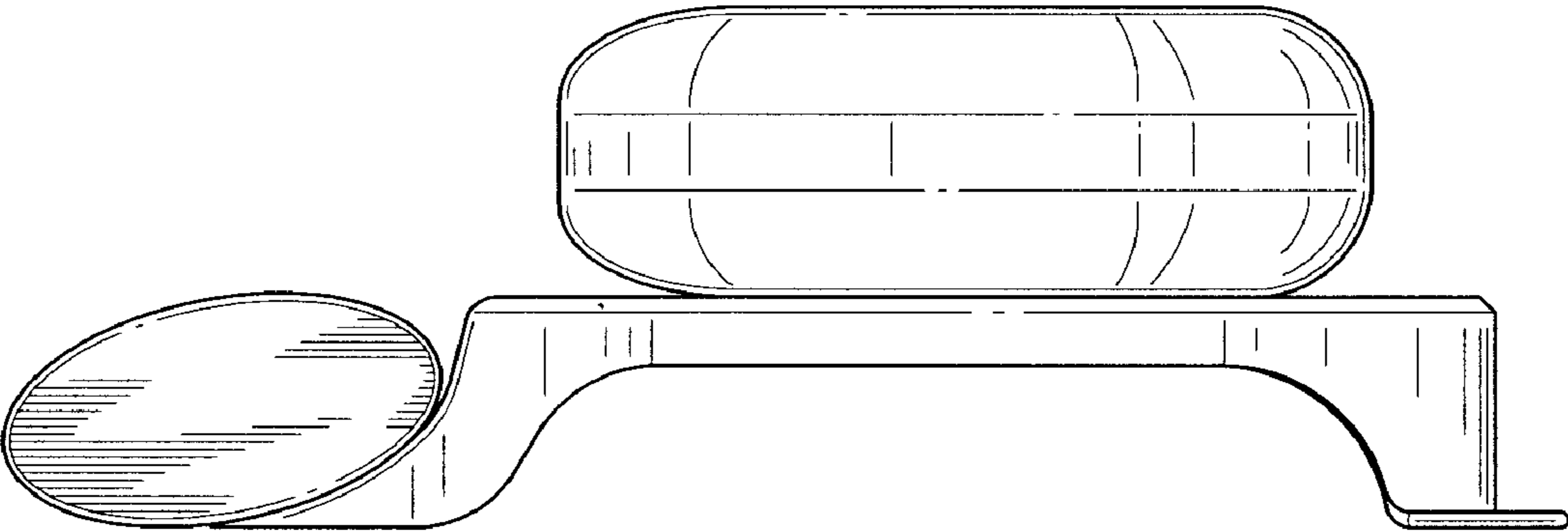
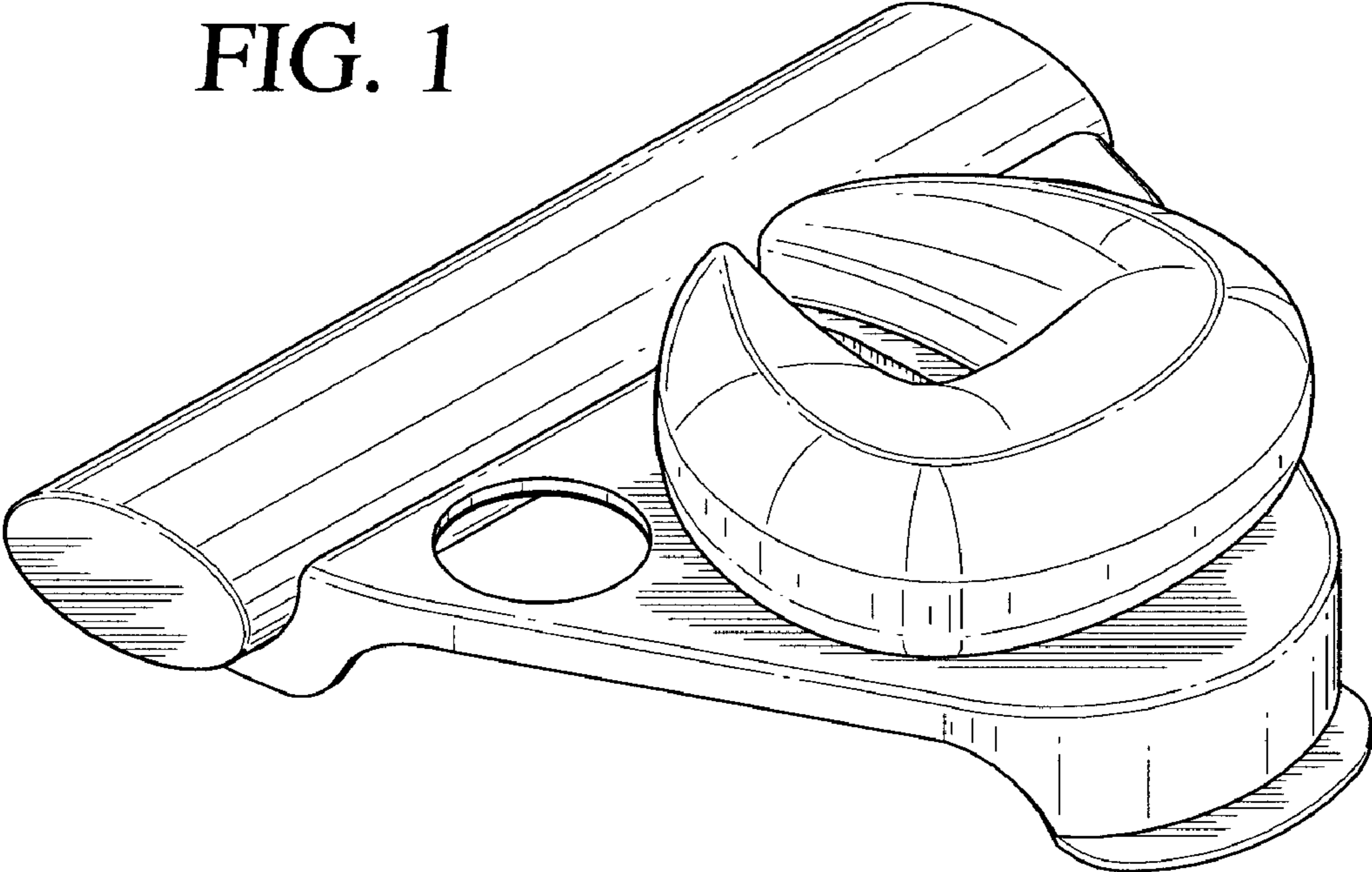


FIG. 2

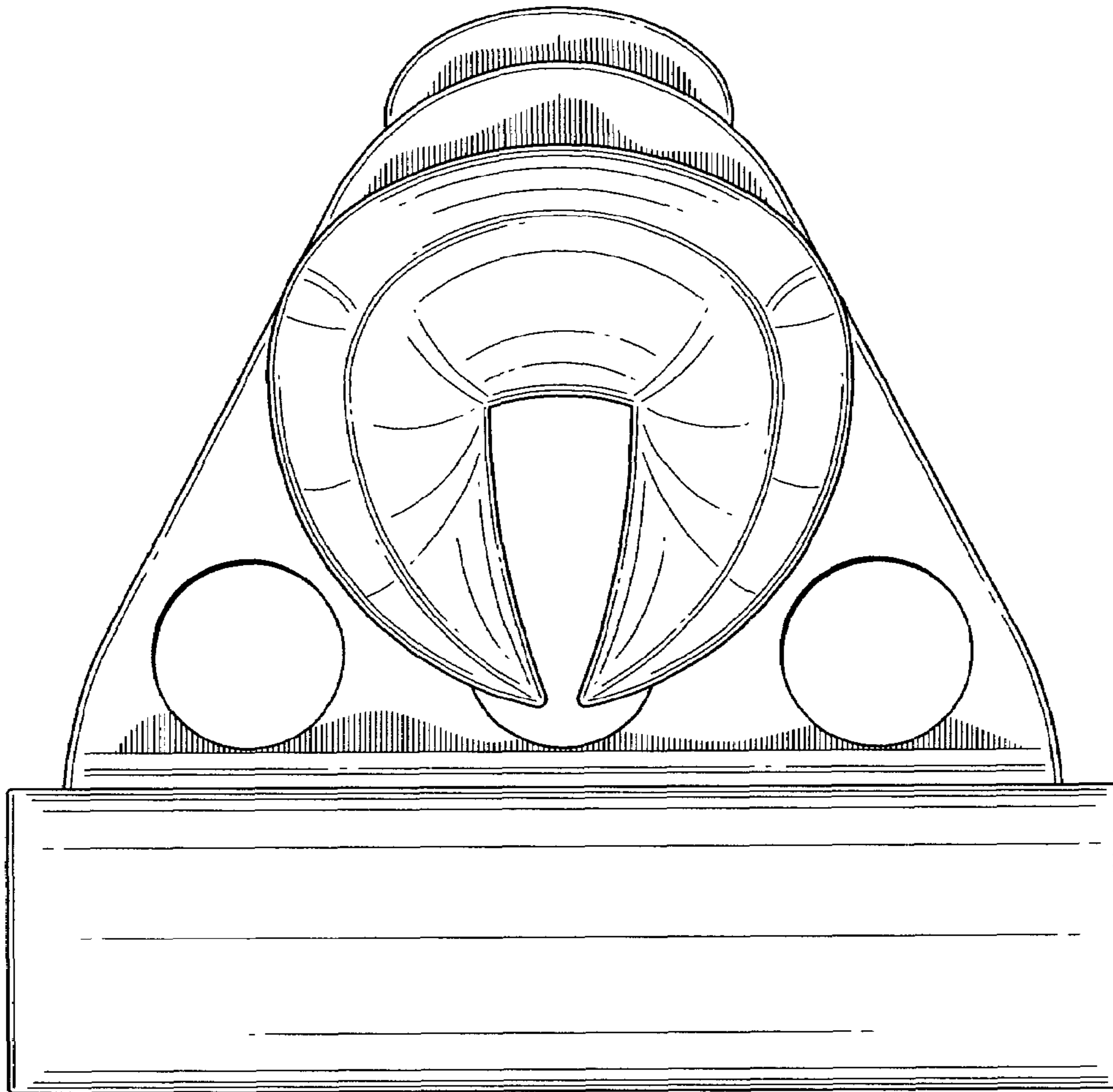


FIG. 3

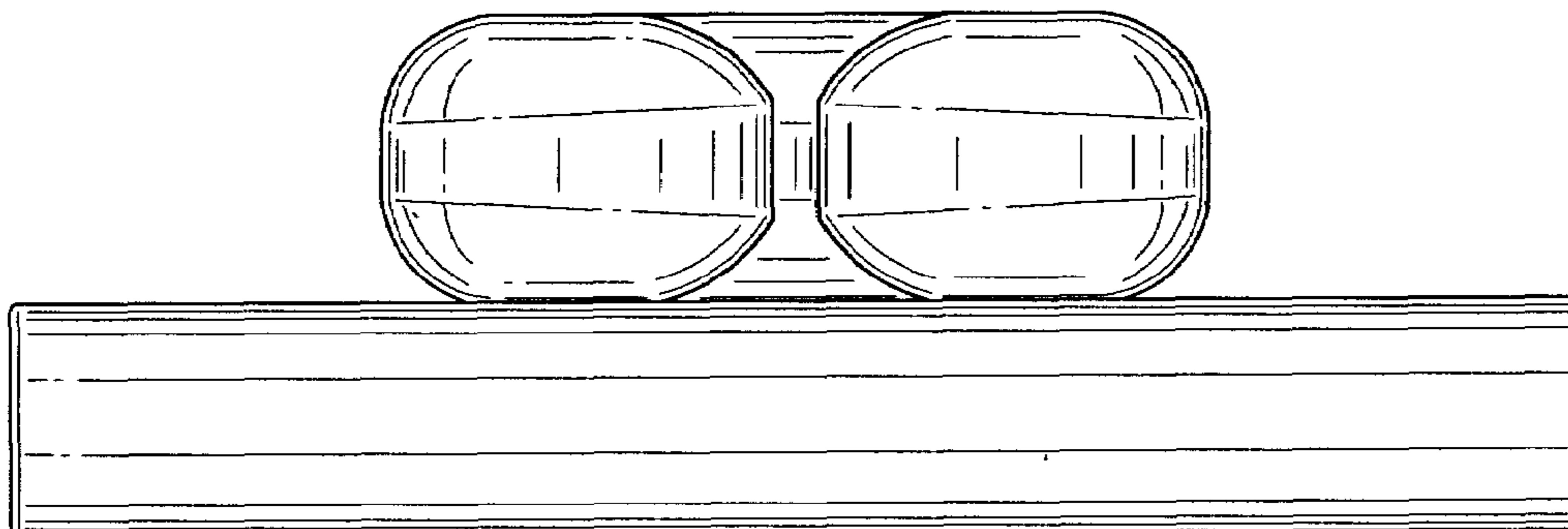


FIG. 4

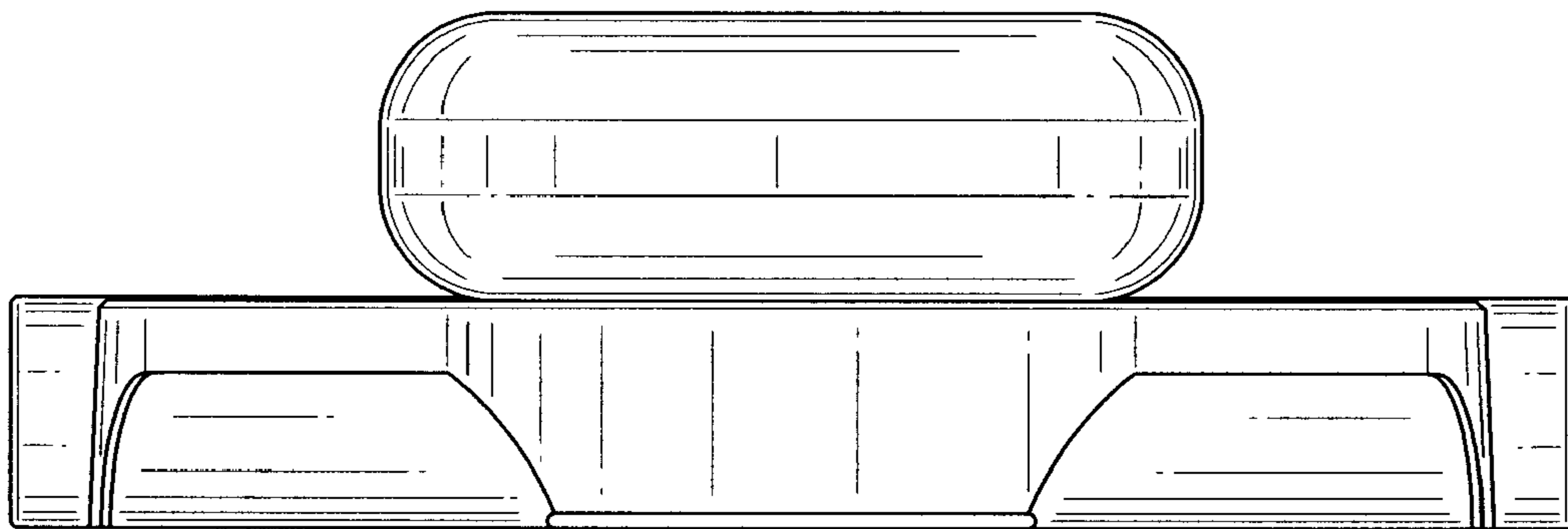


FIG. 5

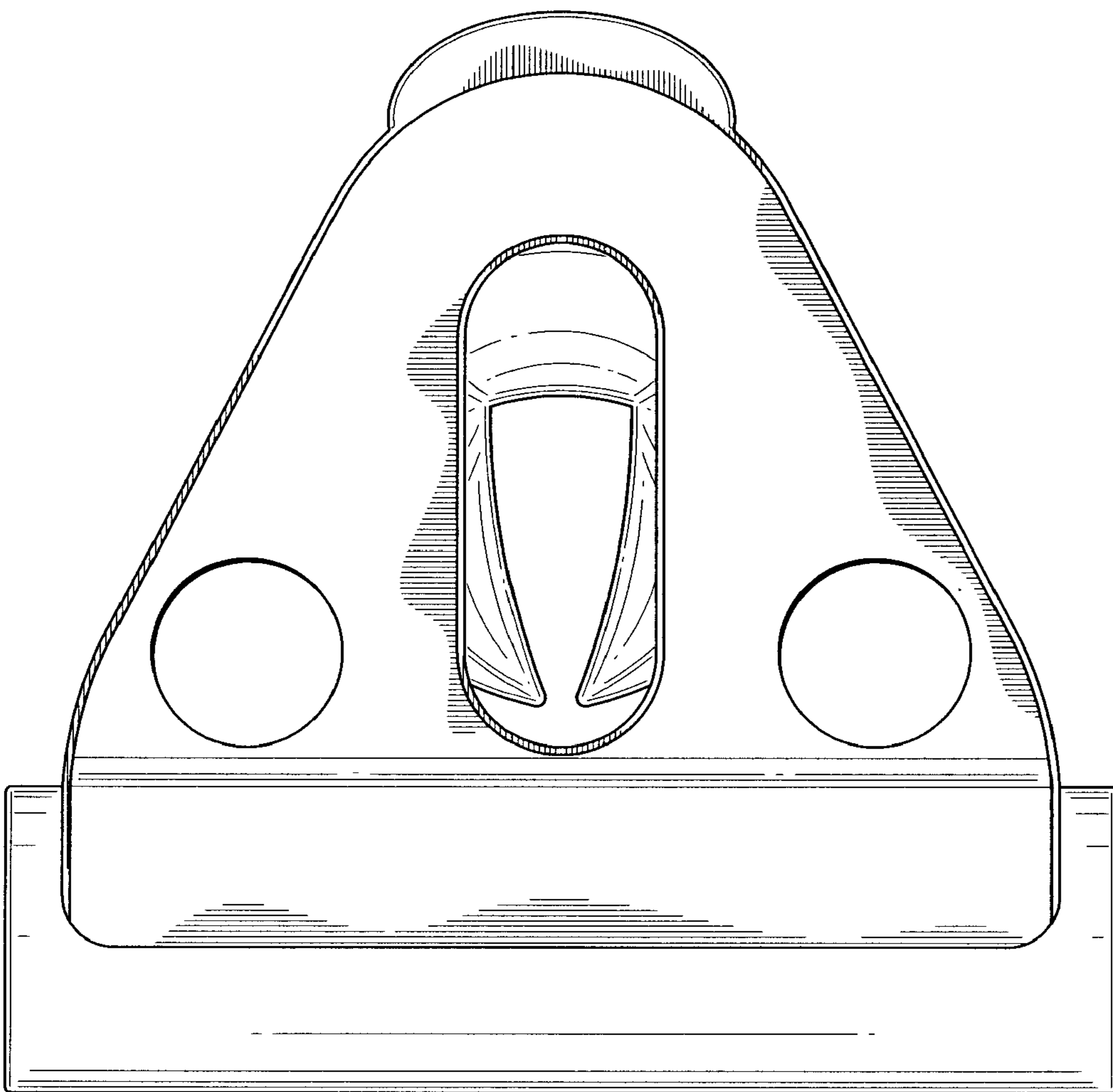


FIG. 6