



US00D555249S

(12) **United States Design Patent** (10) **Patent No.:** **US D555,249 S**  
**Roleder et al.** (45) **Date of Patent:** **\*\* Nov. 13, 2007**

(54) **MESSAGE CHAIR DESIGN**  
(75) Inventors: **Jon Roleder**, San Diego, CA (US);  
**Richard Estrada**, Oceanside, CA (US)  
(73) Assignee: **Earthlite Massage Tables, Inc.**, Vista,  
CA (US)

5,813,727 A 9/1998 Sugawa et al.  
5,921,696 A 7/1999 Gillotti  
5,943,965 A 8/1999 Riach et al.  
5,961,179 A 10/1999 Dixon et al.  
5,971,485 A \* 10/1999 Clark ..... 297/195.11  
6,065,808 A \* 5/2000 Tinsley ..... 297/195.11

(Continued)

(\*\*) Term: **14 Years**

**OTHER PUBLICATIONS**

(21) Appl. No.: **29/232,264**

<http://piscespro.com/main.html>. These pages include pictures of a prior art massage chair sold by Pisces Productions.

(22) Filed: **Jun. 16, 2005**

<http://www.goldenratio.com/GRW/Chair/QuickLie.html>. These webpages include pictures of a prior art massage chair sold by Golden Ratio.

(51) **LOC (8) Cl.** ..... **24-01**

(52) **U.S. Cl.** ..... **D24/184**

(58) **Field of Classification Search** ..... D24/183-184;  
D6/334-335, 340, 354, 360, 367, 500-502;  
D29/121.1; 297/195.11, 195.12, 423.11,  
297/423.12; 5/613, 620, 622, 623, 638; 601/24,  
601/49

(Continued)

See application file for complete search history.

*Primary Examiner*—Robert A. Delehanty  
*Assistant Examiner*—Mark Cavanna  
(74) *Attorney, Agent, or Firm*—Steven G. Roeder; James P. Broder

(56) **References Cited**

(57) **CLAIM**

**U.S. PATENT DOCUMENTS**

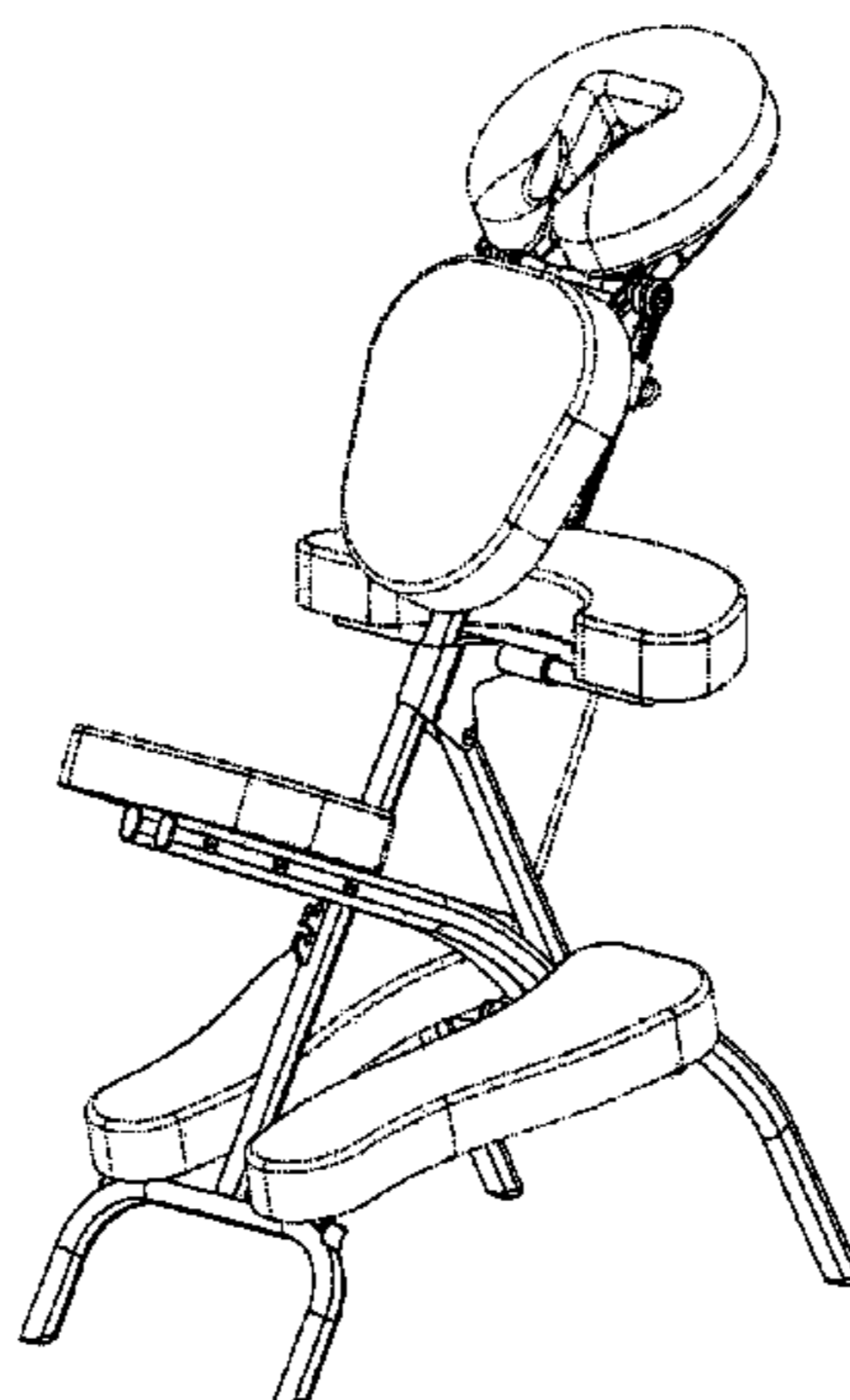
The ornamental massage chair design, as shown and described.

- 3,227,414 A 1/1966 Dean
- 4,258,951 A 3/1981 Groom
- 4,290,643 A 9/1981 Logan, III
- 4,589,699 A 5/1986 Dungan
- 4,650,249 A 3/1987 Serber
- 4,746,167 A 5/1988 Palmer et al.
- 4,832,407 A 5/1989 Serber
- 5,177,823 A 1/1993 Riach
- D334,982 S 4/1993 Riach
- 5,295,728 A 3/1994 Schaevitz
- 5,401,078 A \* 3/1995 Riach ..... 297/195.11
- 5,427,436 A 6/1995 Lloyd
- 5,460,430 A 10/1995 Miga, Jr. et al.
- 5,487,590 A 1/1996 Haynes
- D369,691 S \* 5/1996 Haynes ..... D6/367
- 5,542,746 A 8/1996 Bujaryn
- 5,582,464 A 12/1996 Maymon
- 5,667,278 A 9/1997 Li
- 5,720,517 A 2/1998 Prothro, Sr.
- 5,762,402 A 6/1998 Gillotti

**DESCRIPTION**

FIGS. 1 and 2 are alternative perspective views of a massage chair having features of the present invention;  
FIG. 3 is a rear view of the massage chair;  
FIG. 4 is a front view of the massage chair;  
FIG. 5 is a side view of the massage chair, the other side view is a mirror image thereof;  
FIG. 6 is a bottom view of the massage chair; and,  
FIG. 7 is a top view of the massage chair.  
The kneepads, the seat pad, the armrest, the chest pad and the headrest pad are illustrated in broken lines in the Figures, are illustrative of environmental structure only, and form no part of the claimed design.

**1 Claim, 4 Drawing Sheets**



U.S. PATENT DOCUMENTS

6,174,028 B1 1/2001 Yang et al.  
6,186,593 B1 2/2001 Garneau  
6,273,865 B1 \* 8/2001 Perez ..... 601/49  
6,397,414 B1 6/2002 Lloyd  
6,412,738 B1 7/2002 Bressler et al.  
6,532,609 B2 \* 3/2003 Taylor et al. .... 5/613  
6,543,853 B1 \* 4/2003 Splane, Jr. .... 297/195.11  
6,698,831 B2 \* 3/2004 Lloyd ..... 297/195.11  
6,729,690 B2 \* 5/2004 Roleder et al. .... 297/423.12  
6,769,736 B2 \* 8/2004 Roleder et al. .... 297/195.11  
D516,254 S \* 2/2006 Shircliff ..... D29/121.1  
7,144,080 B2 \* 12/2006 Lloyd ..... 297/195.11  
2002/0067060 A1 \* 6/2002 Lloyd ..... 297/195.11

2002/0067806 A1 6/2002 Lloyd

OTHER PUBLICATIONS

[http://www.oakworks.net/portables/portal\\_pro.html](http://www.oakworks.net/portables/portal_pro.html). These webpages include pictures of a prior art massage chair sold by Oakworks, Inc.  
Earthlite Massage Tables, Inc. product brochure. This brochure includes pictures of prior art massage chairs sold by Earthlite Massage Tables, Inc.  
[http://www.mtso.ab.ca/product/\(a\)\\_Prolite\\_Chair.html](http://www.mtso.ab.ca/product/(a)_Prolite_Chair.html). This webpage includes a picture of a prior art massage chair sold by Massage Therapy Supply Outlet.

\* cited by examiner

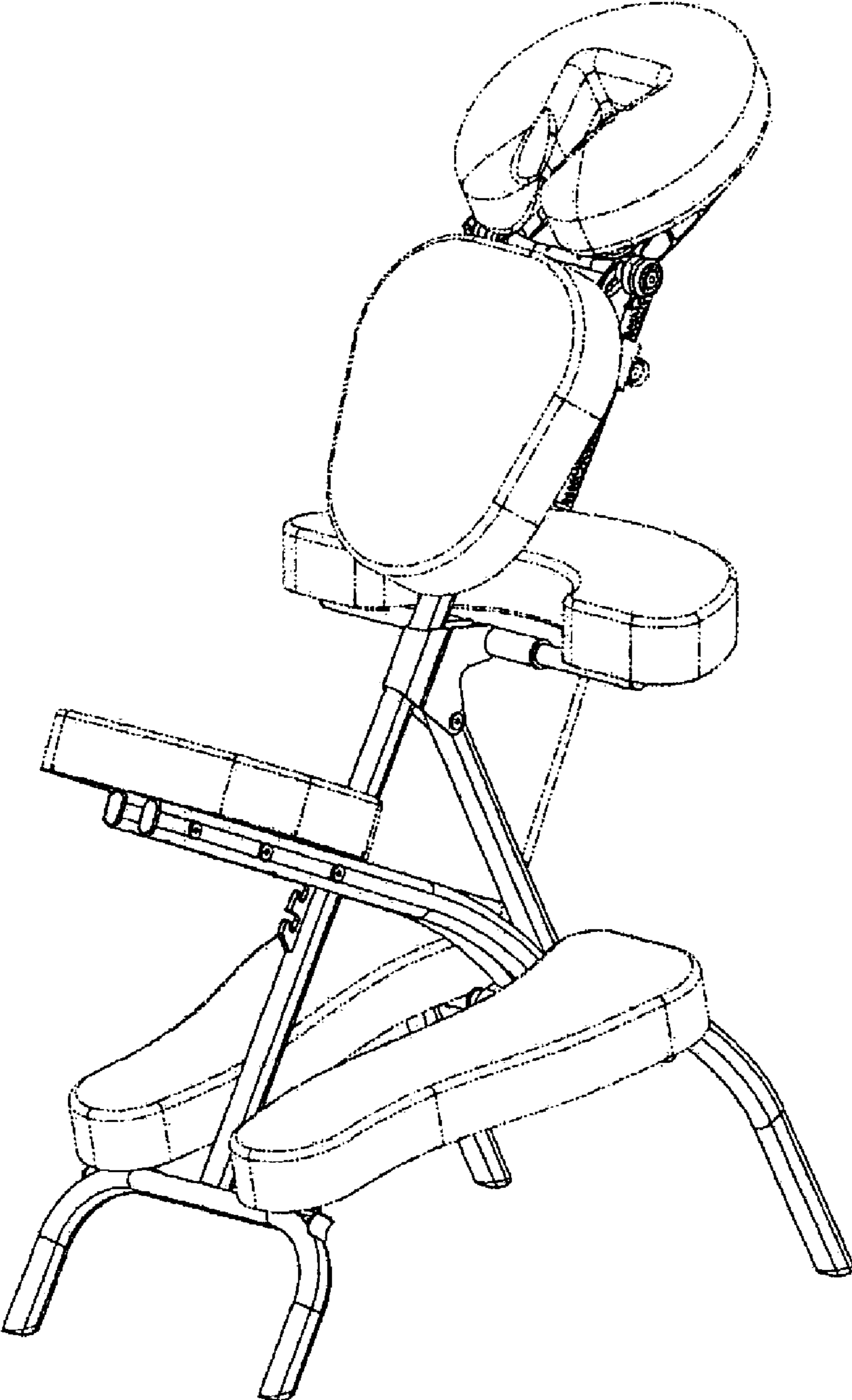


Figure 1

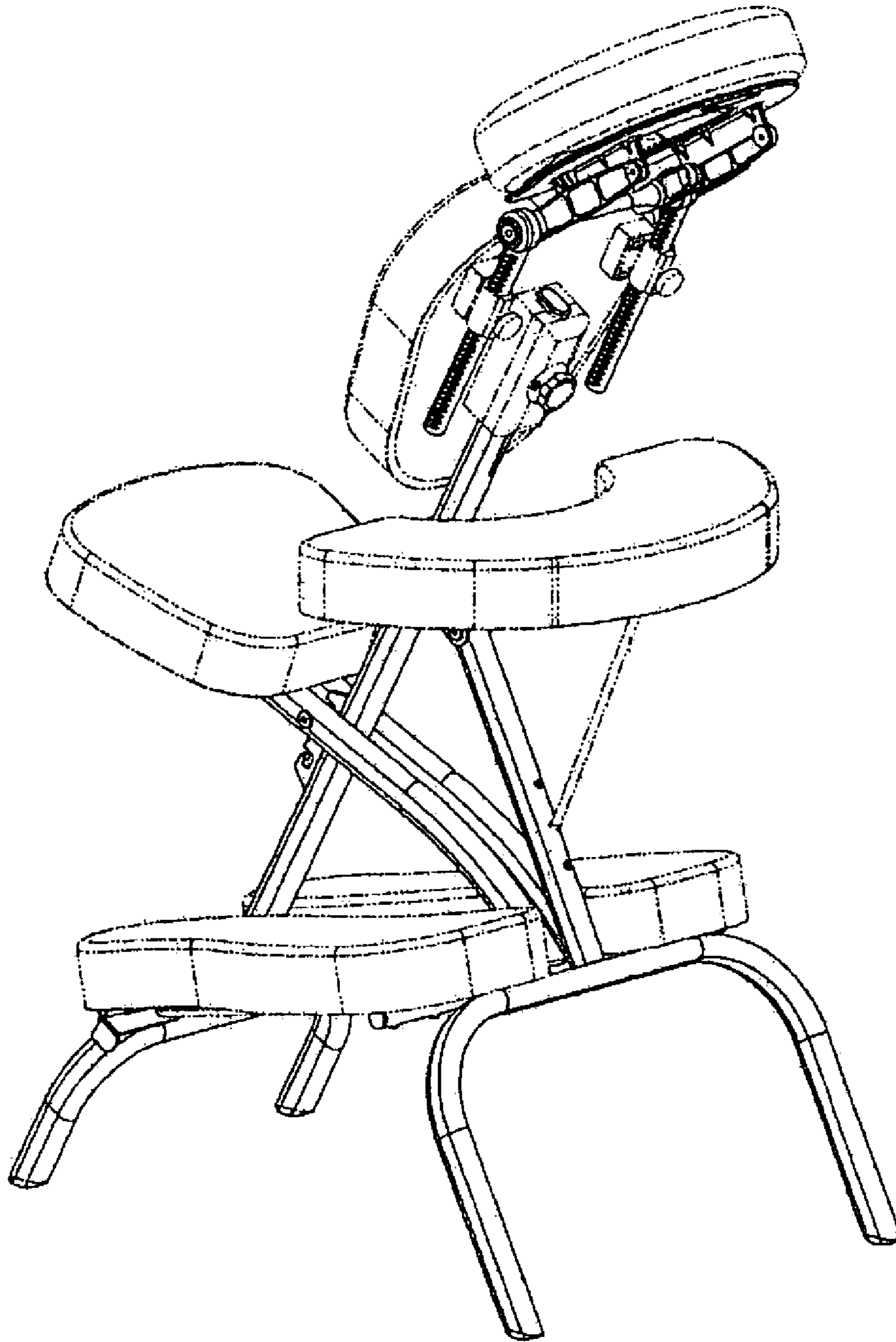


Figure 2

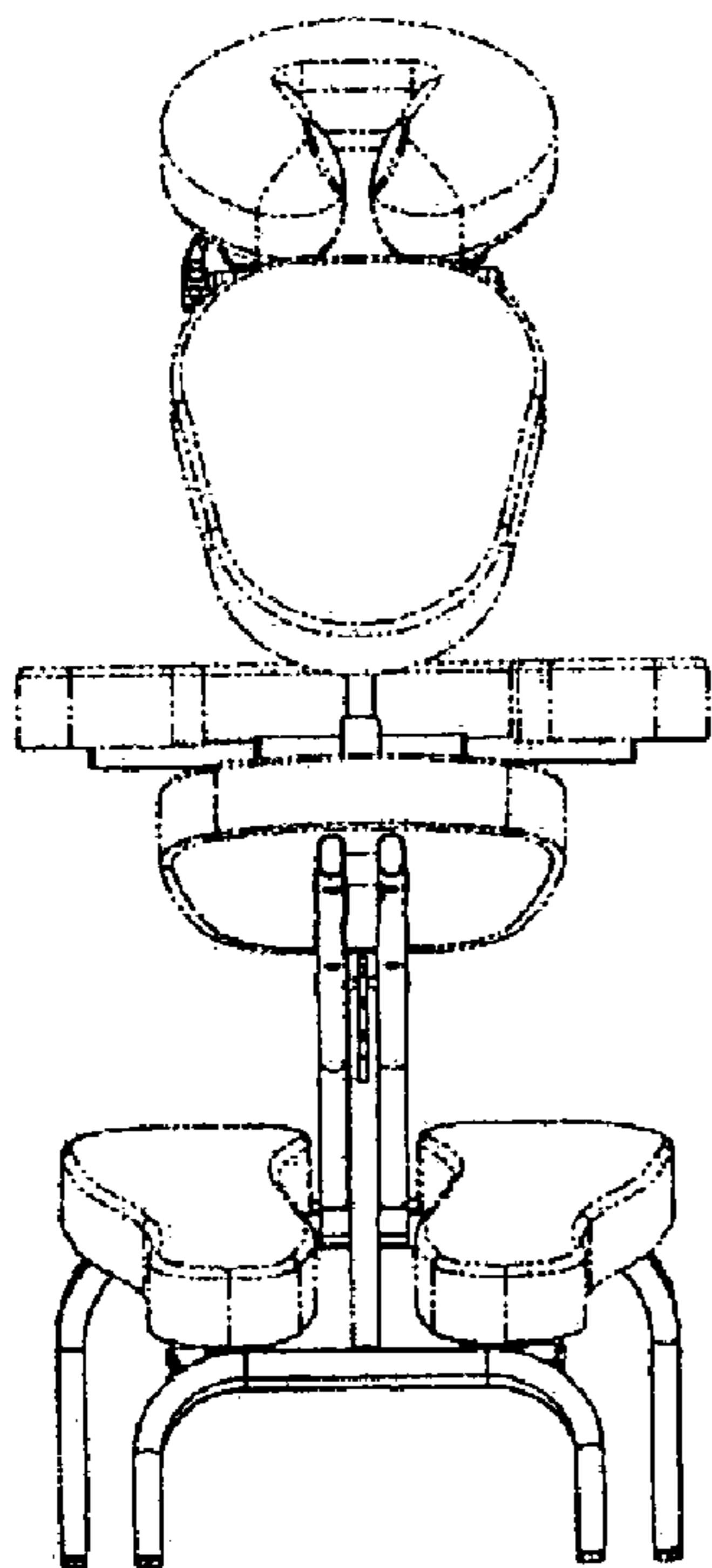


Figure 3

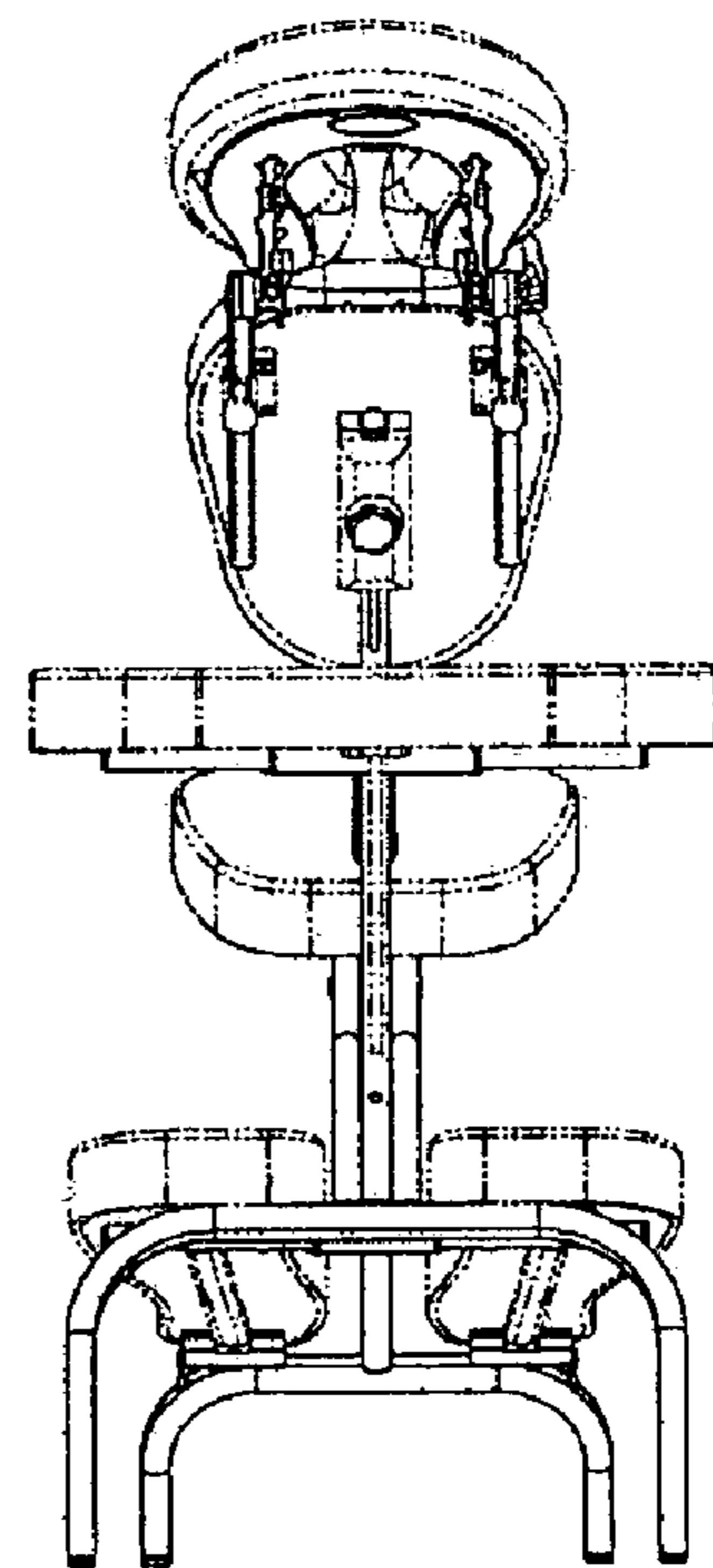


Figure 4

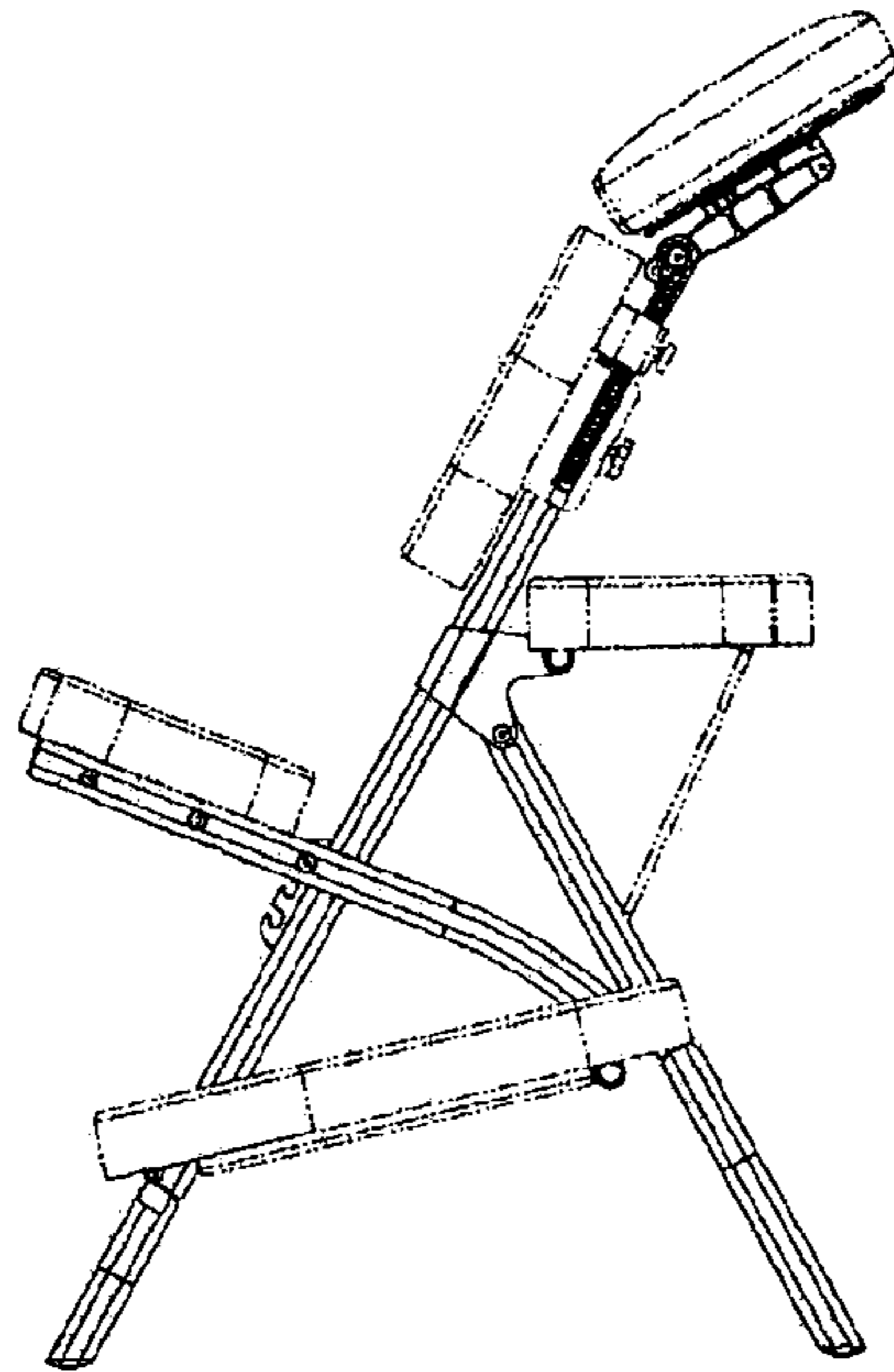


Figure 5

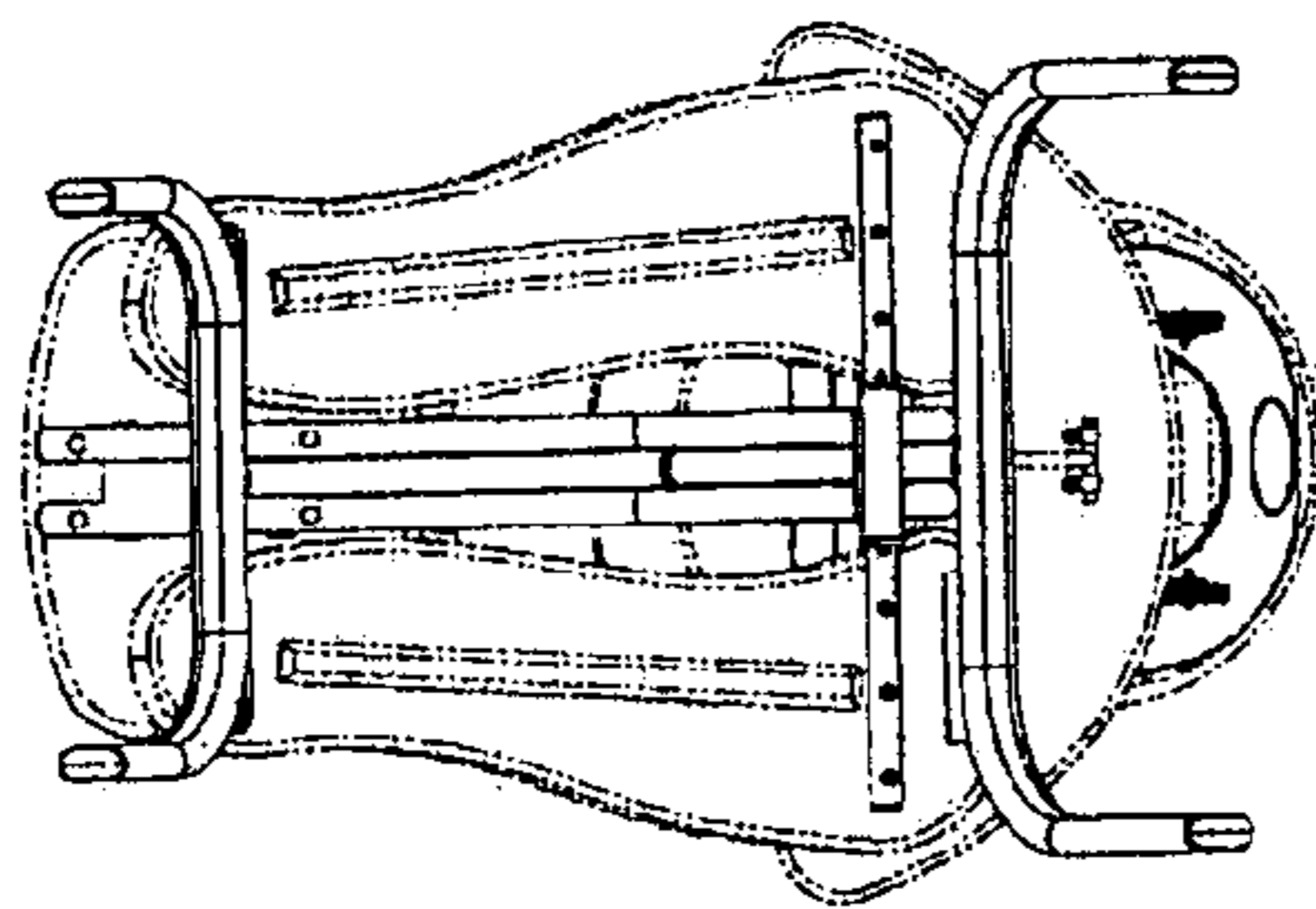


Figure 6

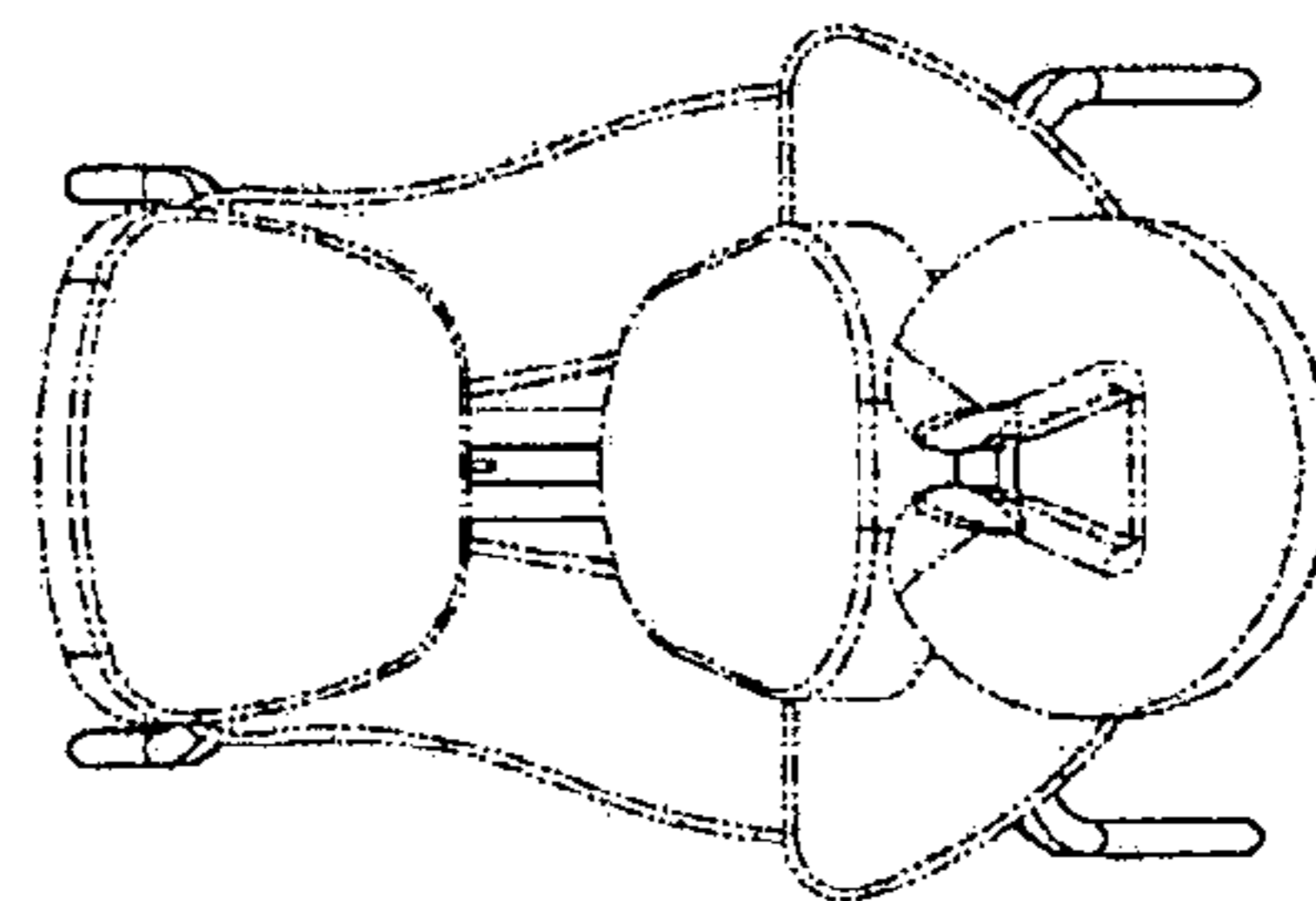


Figure 7