



US00D555245S

(12) **United States Design Patent**
Castellini

(10) **Patent No.:** **US D555,245 S**

(45) **Date of Patent:** **** Nov. 13, 2007**

(54) **DENTAL UNIT**

(75) **Inventor:** **Franco Castellini**, Bologna (IT)

(73) **Assignee:** **Castellini S.p.A.**, Bologna (IT)

(**) **Term:** **14 Years**

(21) **Appl. No.:** **29/258,702**

(22) **Filed:** **Apr. 26, 2006**

(30) **Foreign Application Priority Data**

Oct. 28, 2005 (EM) 000424007

(51) **LOC (8) Cl.** **24-02**

(52) **U.S. Cl.** **D24/177**

(58) **Field of Classification Search** D24/177,

D24/234; 433/49, 50, 53, 77, 79, 97, 89,

433/69; 251/5, 331, 289

See application file for complete search history.

(56) **References Cited**

U.S. PATENT DOCUMENTS

D148,834 S *	2/1948	Wester	D24/177
D204,983 S *	6/1966	Stram et al.	D24/177
D255,855 S *	7/1980	Glogovcsan	D6/307
4,571,182 A *	2/1986	Beier et al.	433/79
D348,933 S *	7/1994	Nordstrom et al.	D24/177
5,348,472 A *	9/1994	Joeckel et al.	433/79
D351,231 S *	10/1994	Austin et al.	D24/177
D354,135 S *	1/1995	Phleps et al.	D24/177
D378,415 S *	3/1997	Irwin et al.	D24/177
5,788,217 A *	8/1998	Austin et al.	251/289
6,322,358 B1 *	11/2001	Senn et al.	433/29

D458,378 S *	6/2002	Bevington	D24/177
D458,379 S *	6/2002	Brockway et al.	D24/177
6,692,253 B2 *	2/2004	Brockway et al.	433/77
D498,847 S *	11/2004	Castellini	D24/177
7,011,519 B2 *	3/2006	Castellini	433/79
2003/0073053 A1 *	4/2003	Brockway et al.	433/77

FOREIGN PATENT DOCUMENTS

GB	2031500	*	10/1993
GB	2037500	*	9/1994
GB	2050720	*	5/1996
GB	2092146	*	6/2000

* cited by examiner

Primary Examiner—Charles A. Rademaker

(74) *Attorney, Agent, or Firm*—Fay Sharpe LLP

(57) **CLAIM**

The ornamental design for dental unit, as shown and described.

DESCRIPTION

FIG. 1 is a front perspective view of a dental unit showing my new design;

FIG. 2 is a front face view thereof,

FIG. 3 is a right-hand side view thereof,

FIG. 4 is a rear face view thereof,

FIG. 5 is a left-hand side view thereof,

FIG. 6 is a top plan view thereof; and,

FIG. 7 is a bottom plan view thereof.

1 Claim, 4 Drawing Sheets

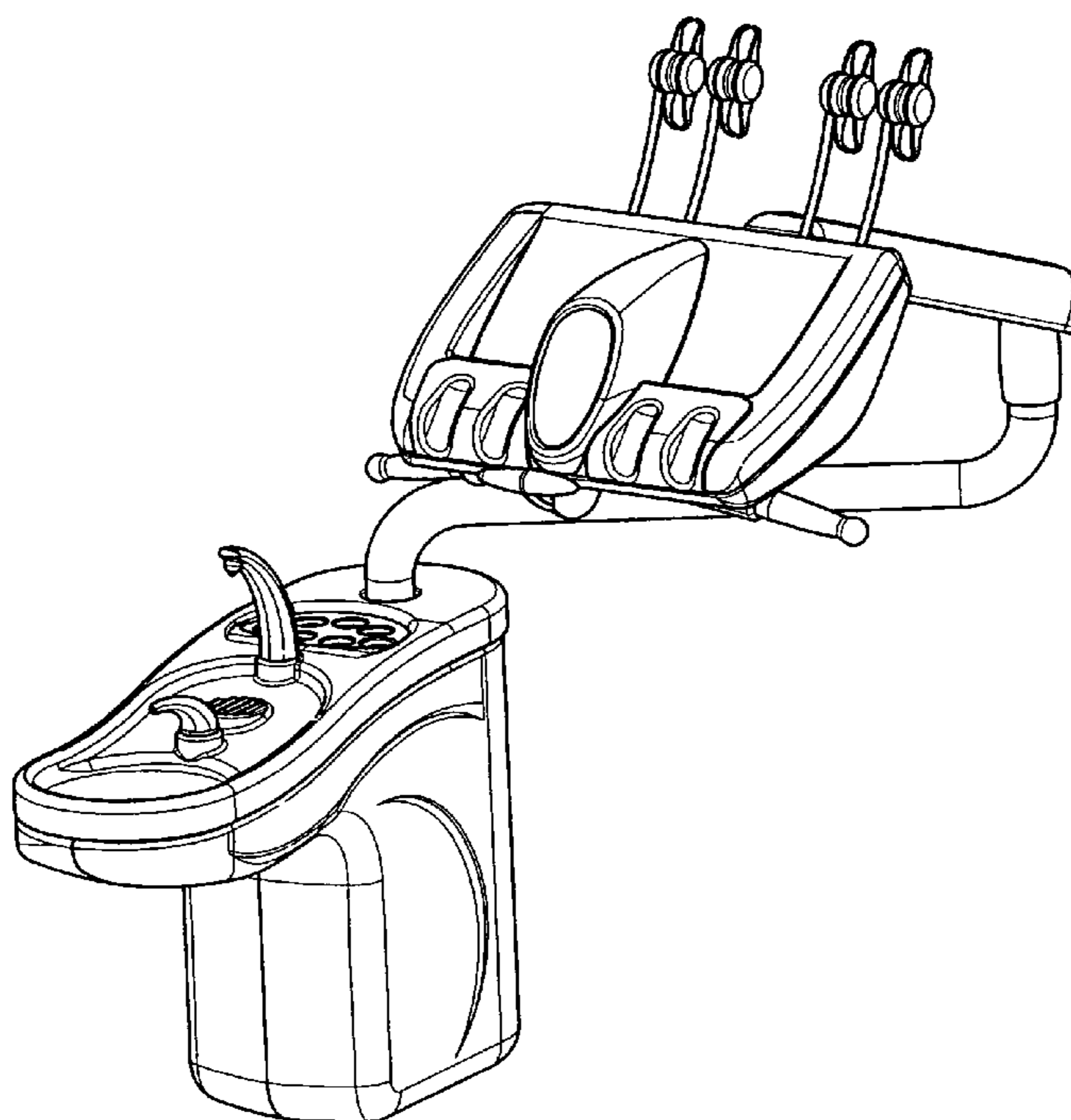


FIG.1

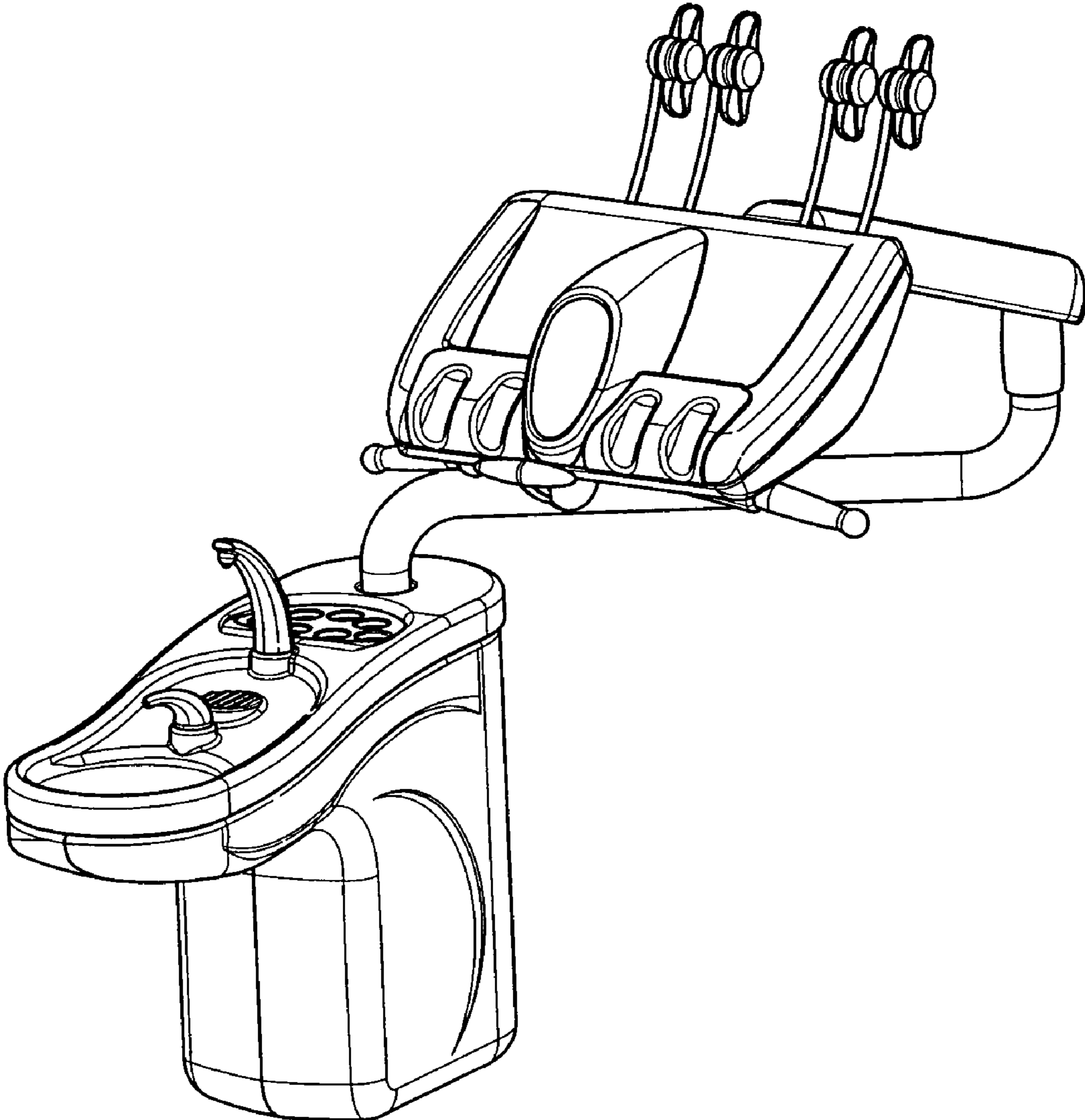


FIG.2

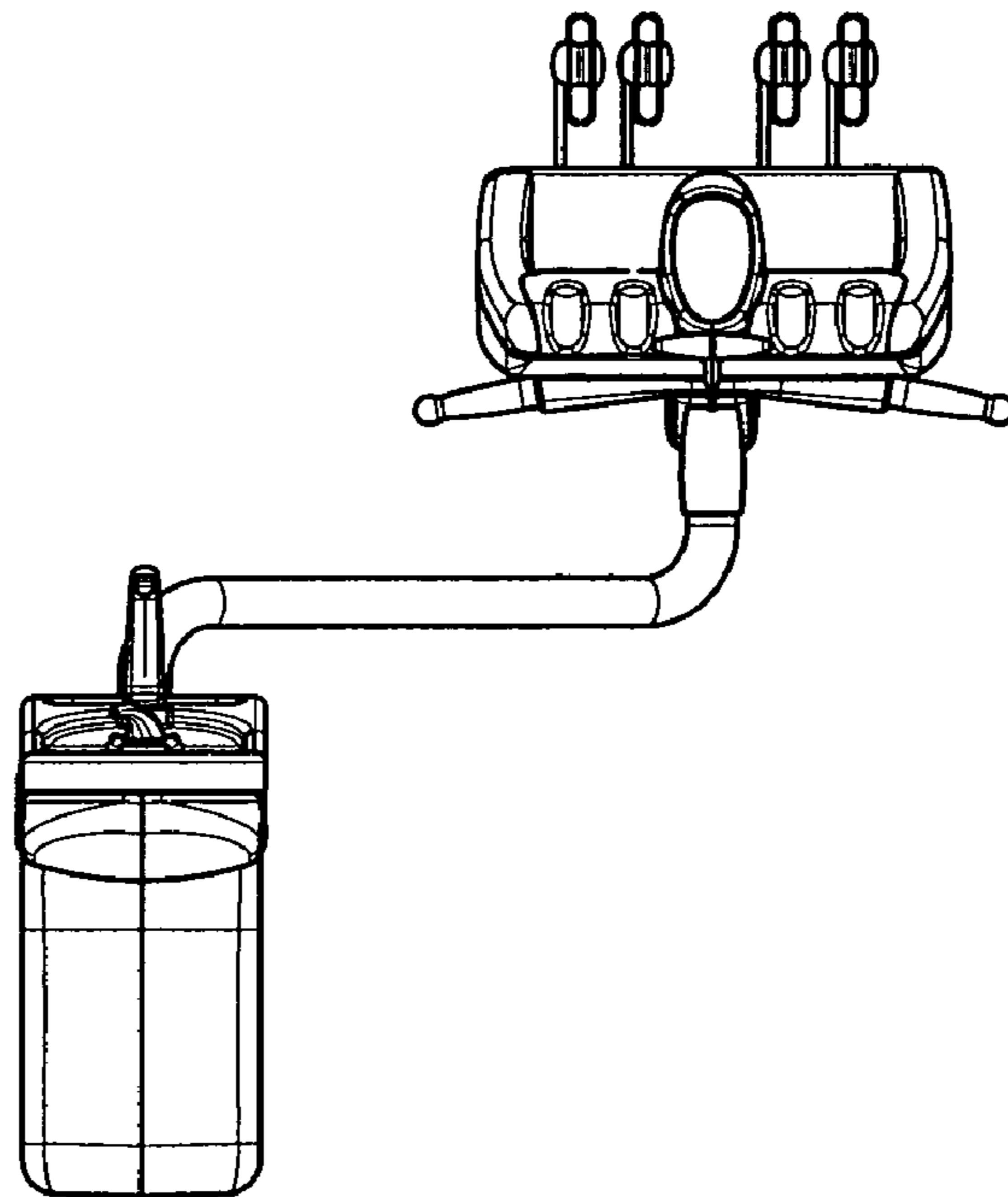


FIG.3

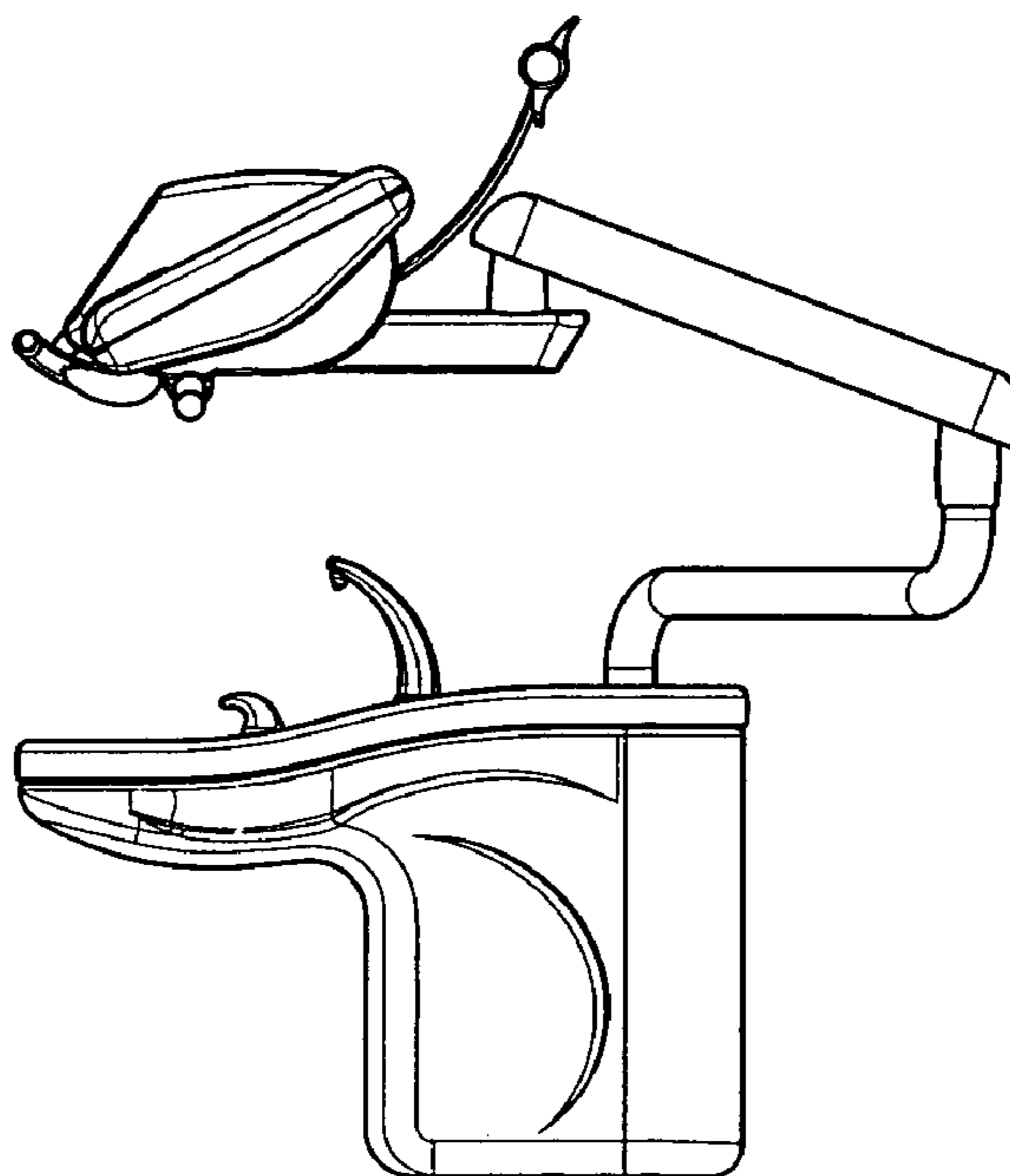


FIG.4

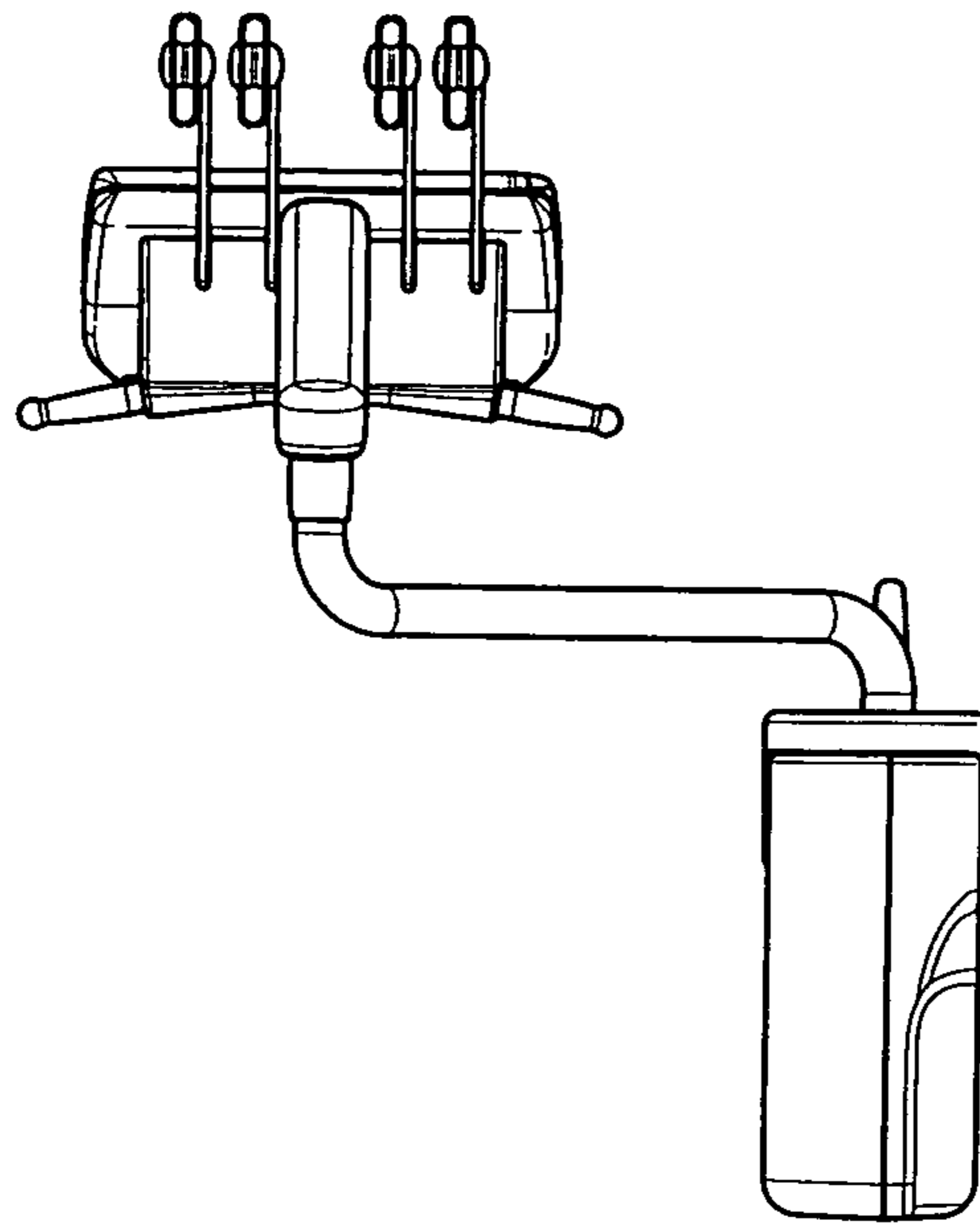


FIG.5

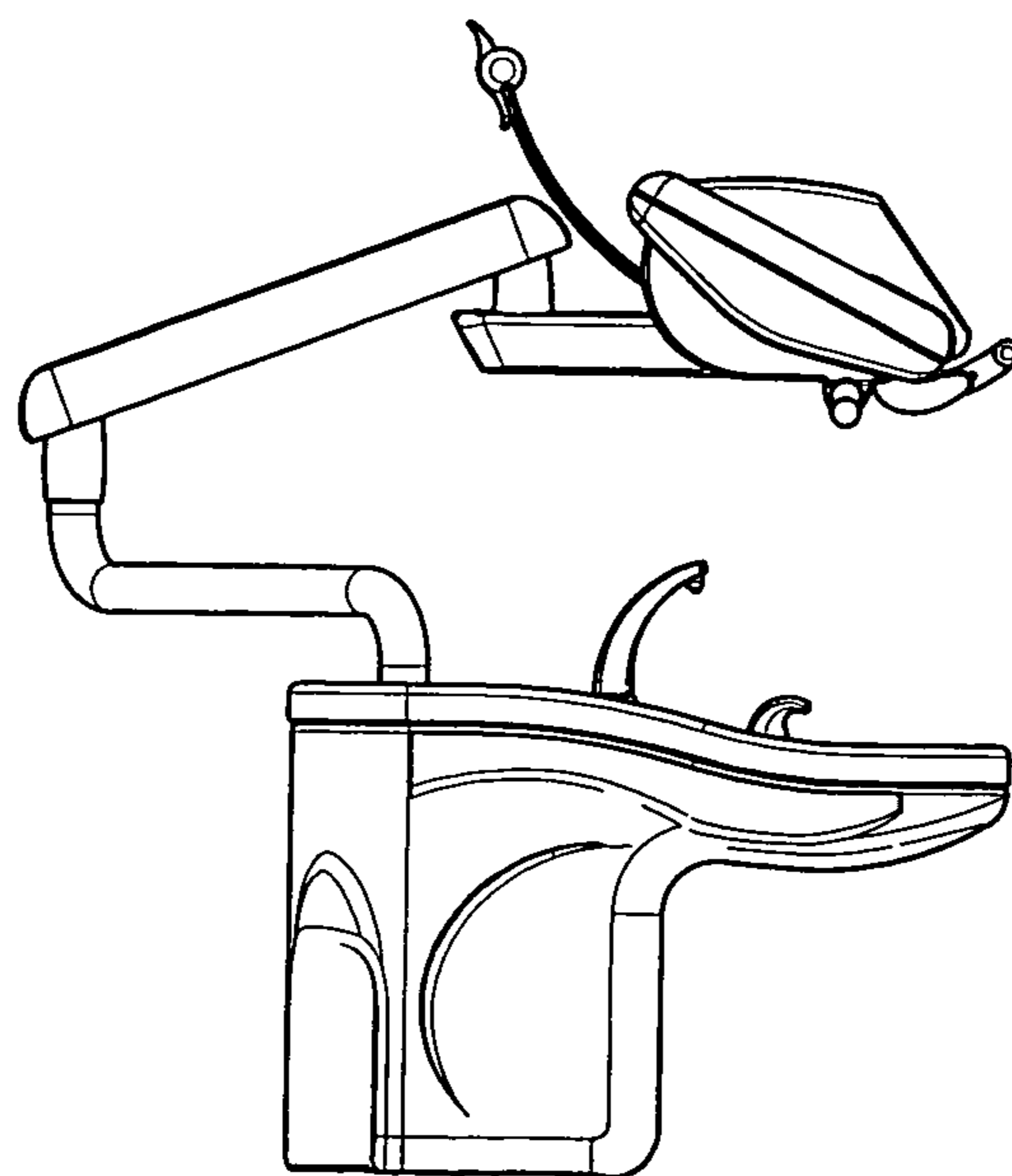


FIG.6

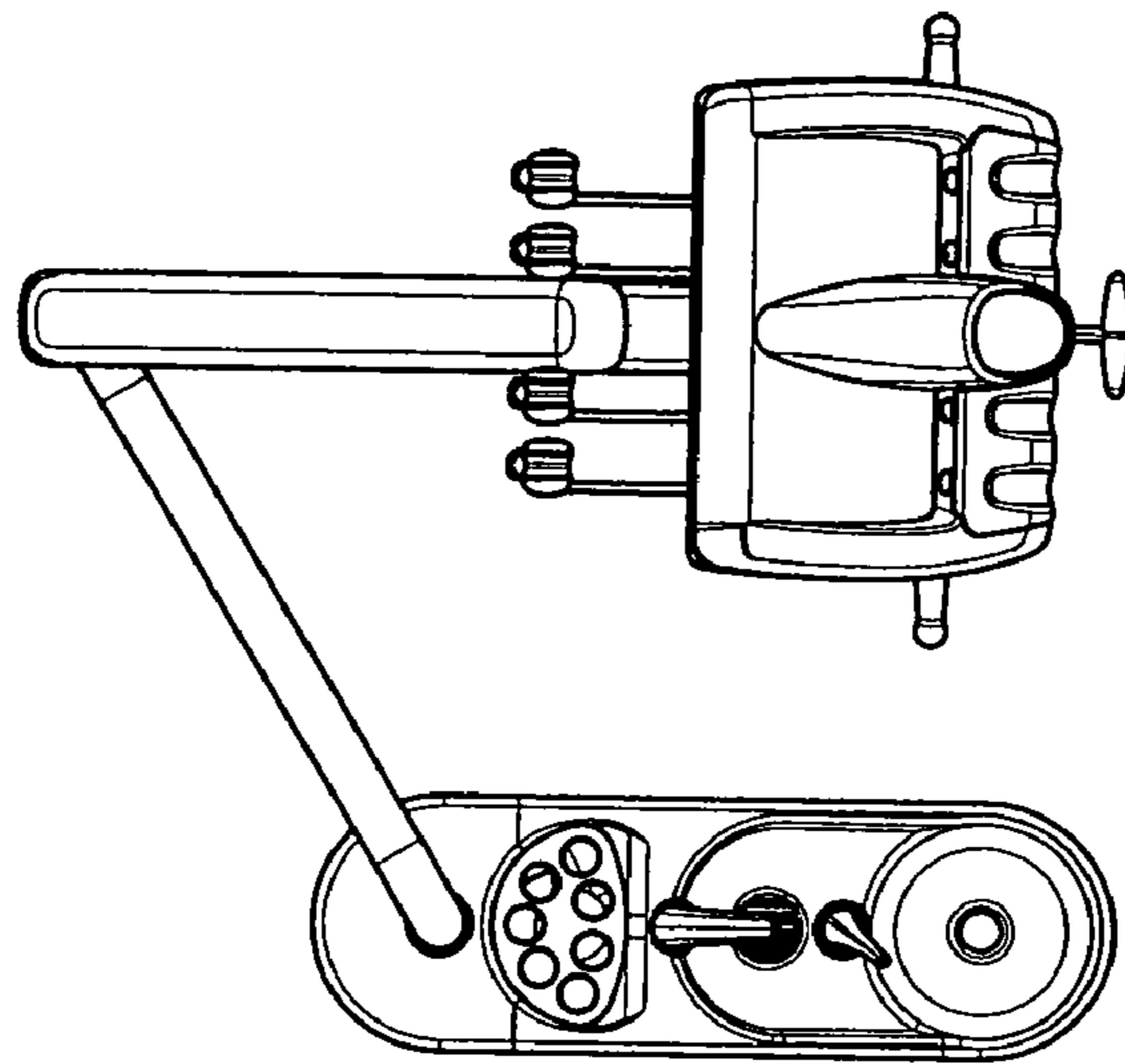


FIG.7

