



US00D555243S

(12) **United States Design Patent**
Linev

(10) **Patent No.:** **US D555,243 S**

(45) **Date of Patent:** **** Nov. 13, 2007**

(54) **X-RAY APPARATUS FOR BODY SCANNING**

(75) Inventor: **Vladimir N. Linev**, Minsk (BY)

(73) Assignee: **Nauchno-Proizvodstvennoe Chastnoe Unitarnoe Predpriyatie ADANI**, Minsk (BY)

(**) Term: **14 Years**

(21) Appl. No.: **29/245,840**

(22) Filed: **Dec. 29, 2005**

(51) **LOC (8) Cl.** **24-01**

(52) **U.S. Cl.** **D24/158**

(58) **Field of Classification Search** D24/58-61,
D24/183; 378/178-190, 193, 195-198, 208,
378/209, 10, 11, 37-39

See application file for complete search history.

(56) **References Cited**

U.S. PATENT DOCUMENTS

- 5,014,292 A * 5/1991 Siczek et al. 378/196
- 5,048,069 A * 9/1991 Siczek 378/197
- 5,077,780 A * 12/1991 Lee, Jr. 378/196
- D366,701 S * 1/1996 Mazess et al. D24/159
- D378,133 S * 2/1997 Murakami et al. D24/158

FOREIGN PATENT DOCUMENTS

WO WO 99/60928 12/1999

OTHER PUBLICATIONS

Utility Models. Industrial Designs. Official Bulletin of Committee on Patents and Trademarks of Russian Federation. No. 5, 1994.

The prospectus of scientific-and-research production company "Electron", Russia.

* cited by examiner

Primary Examiner—Louis S. Zarfes

Assistant Examiner—Anhdao Doan

(74) *Attorney, Agent, or Firm*—Houston Eliseeva LLP

(57) **CLAIM**

The ornamental design for an x-ray apparatus for body scanning, as shown and described.

DESCRIPTION

An apparatus for x-ray scanning a body, such as that of a human patient.

FIG. 1 is a perspective view of an x-ray apparatus for body scanning, in a position in which the table is raised, showing the present design;

FIG. 2 is a side elevational view thereof;

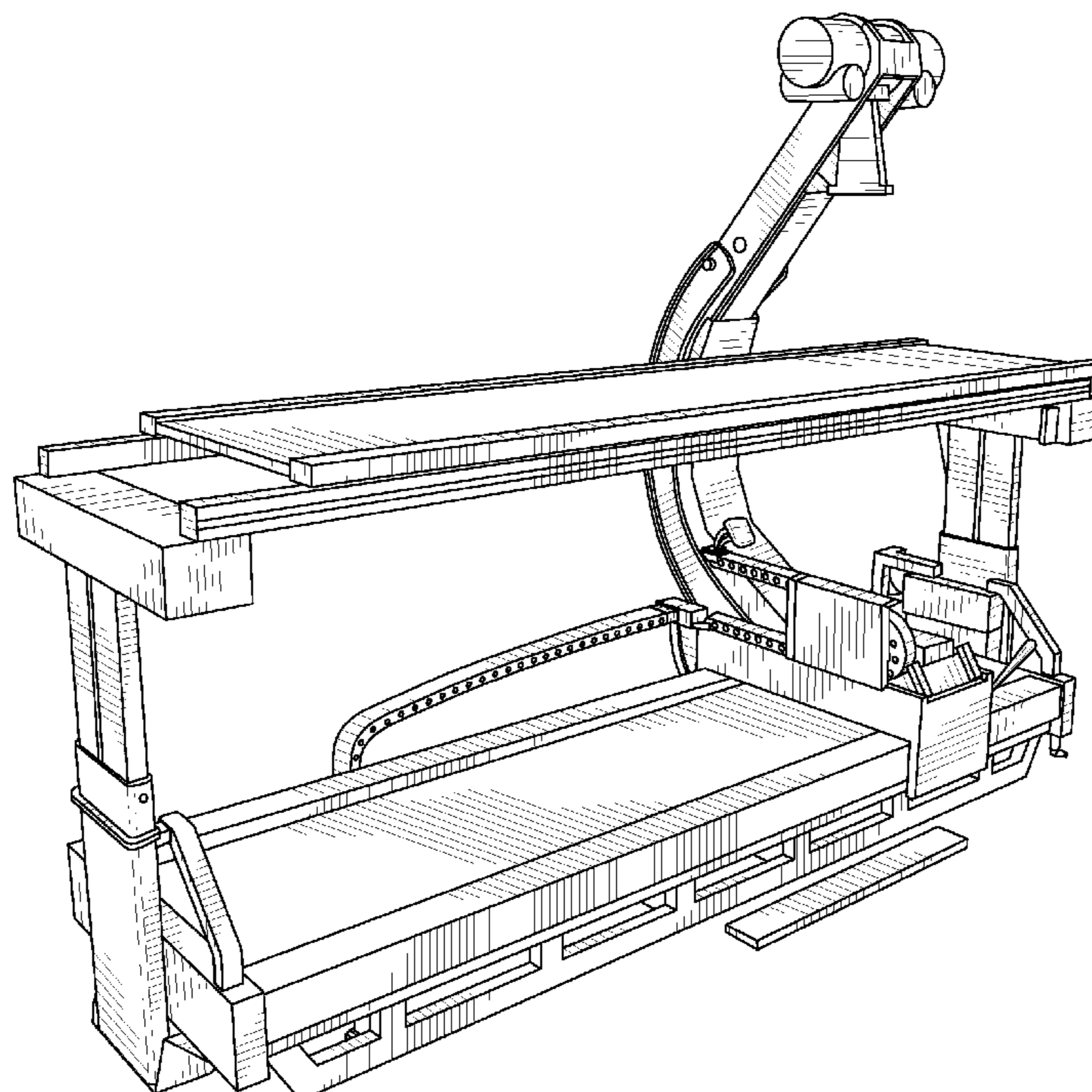
FIG. 3 is a side elevational view thereof, taken opposite from that of FIG. 2;

FIG. 4 is a front elevational view thereof;

FIG. 5 is a rear elevational view thereof; and,

FIG. 6 is a top plan view thereof.

1 Claim, 4 Drawing Sheets



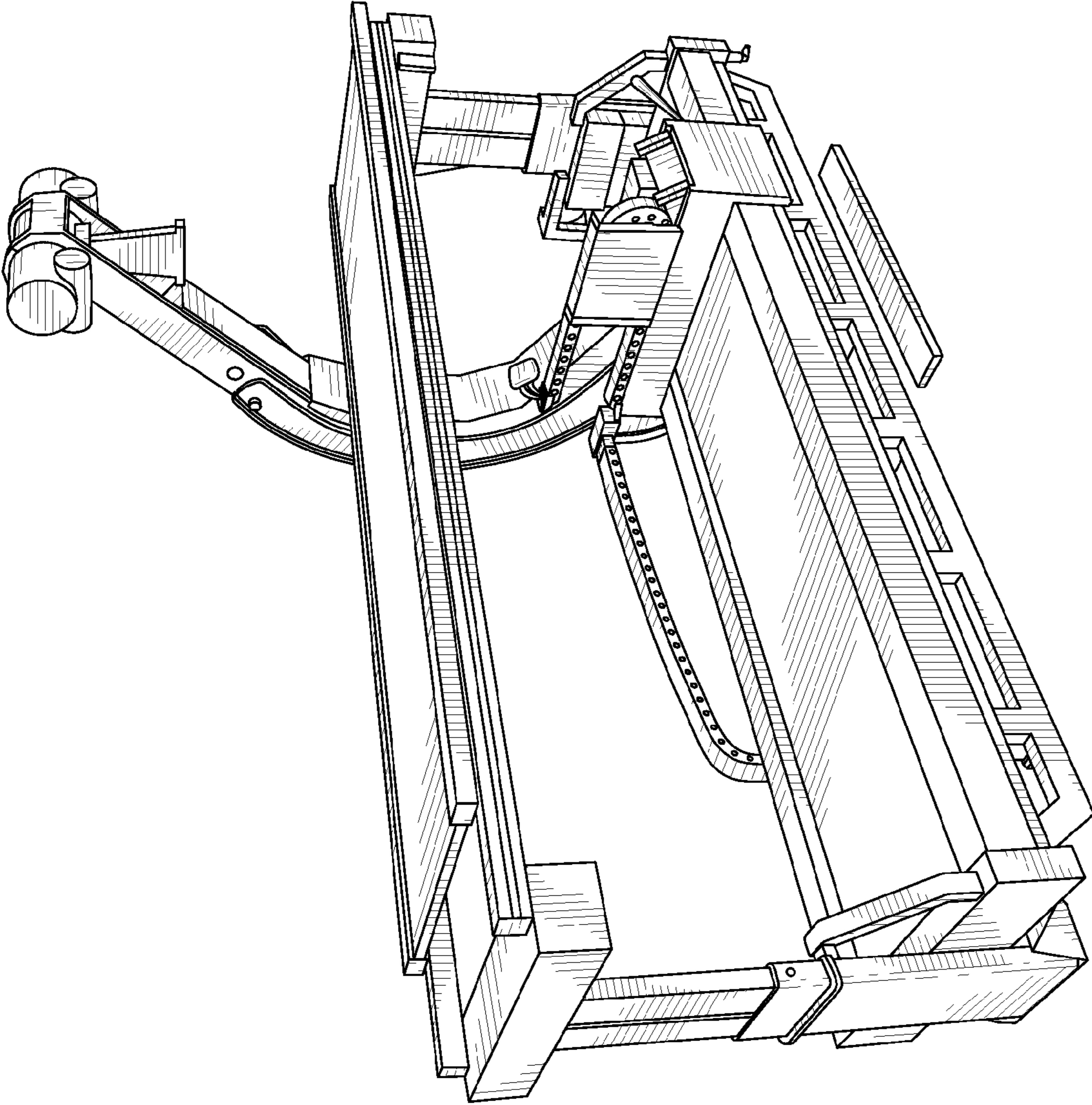


FIG. 1

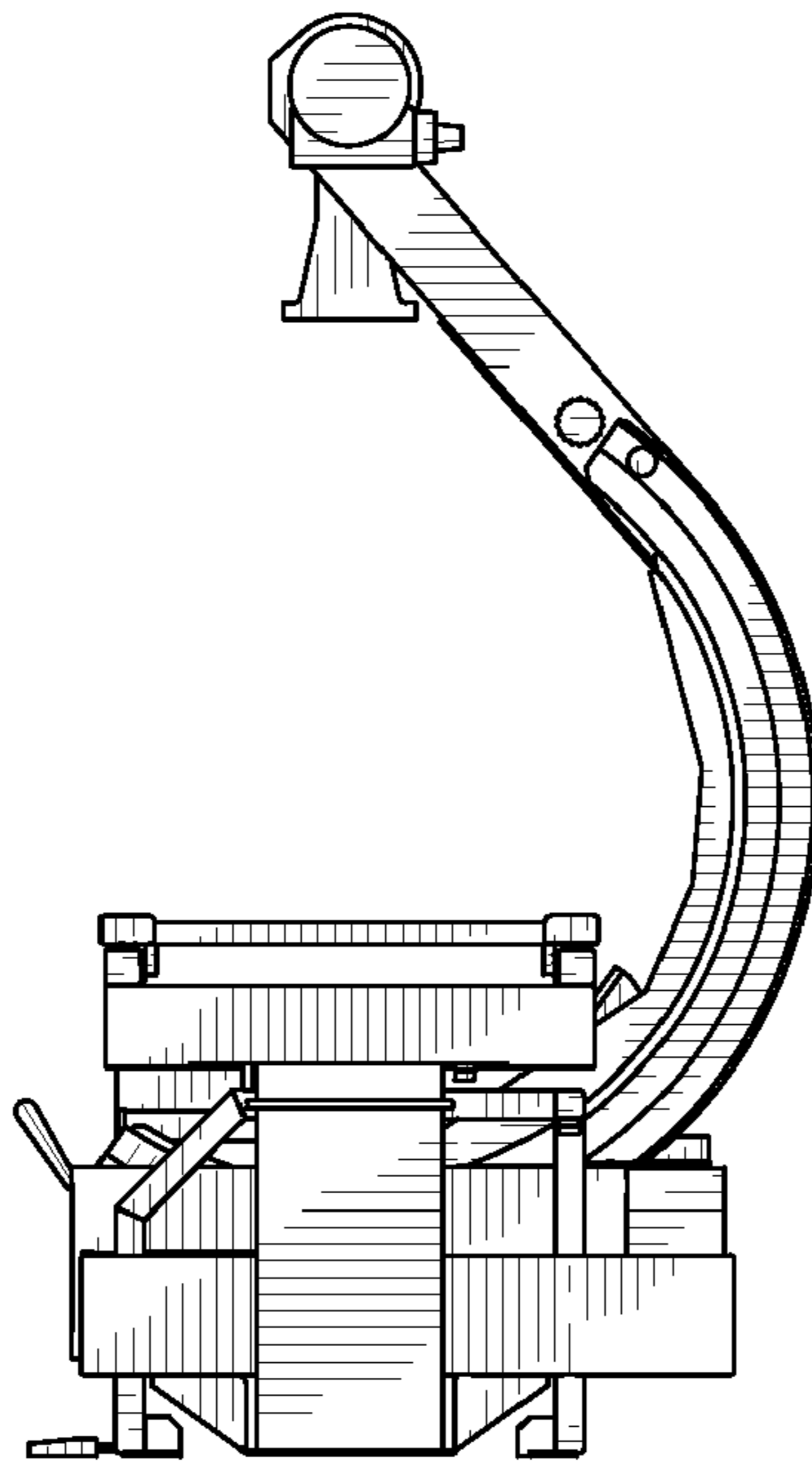


FIG. 2

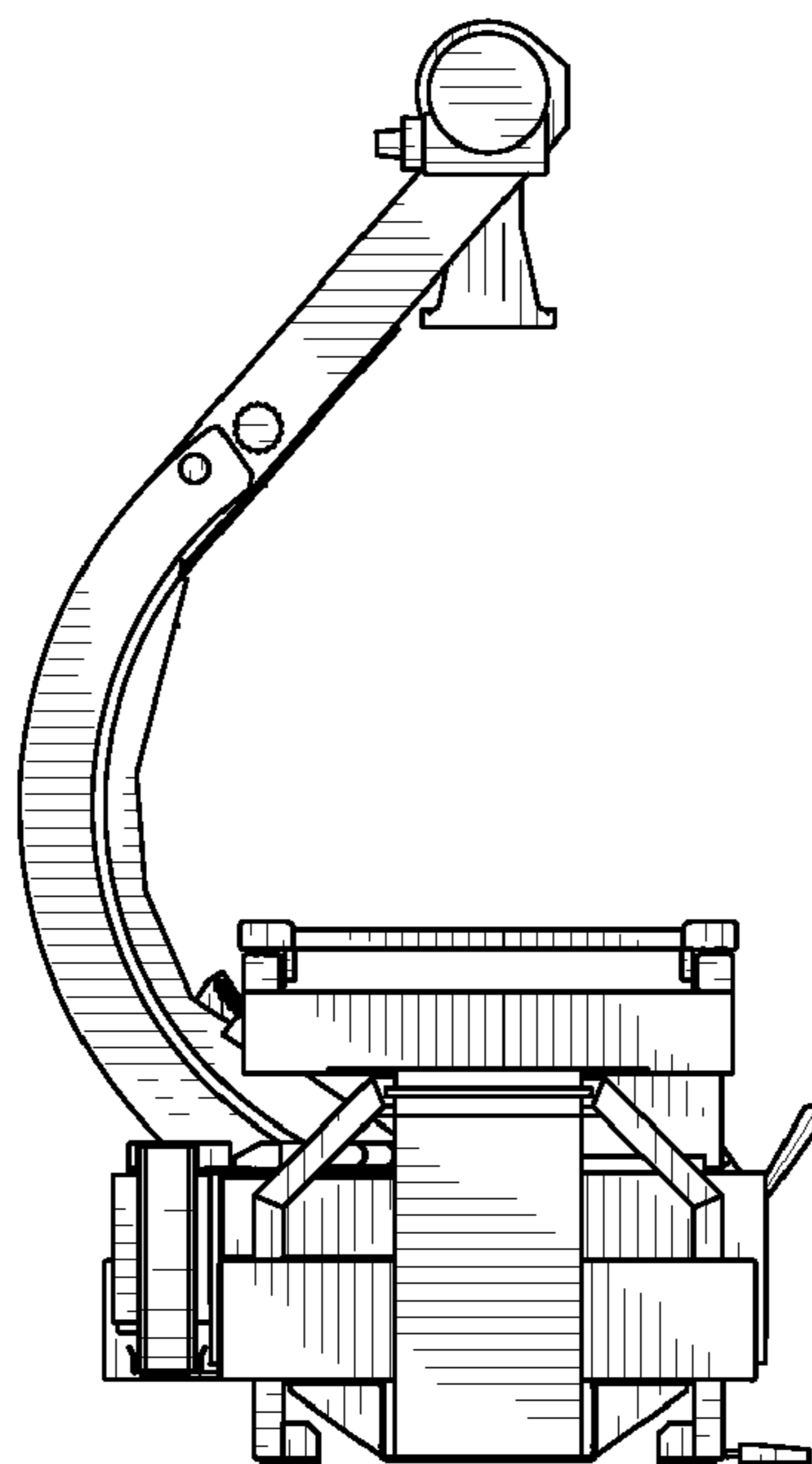


FIG. 3

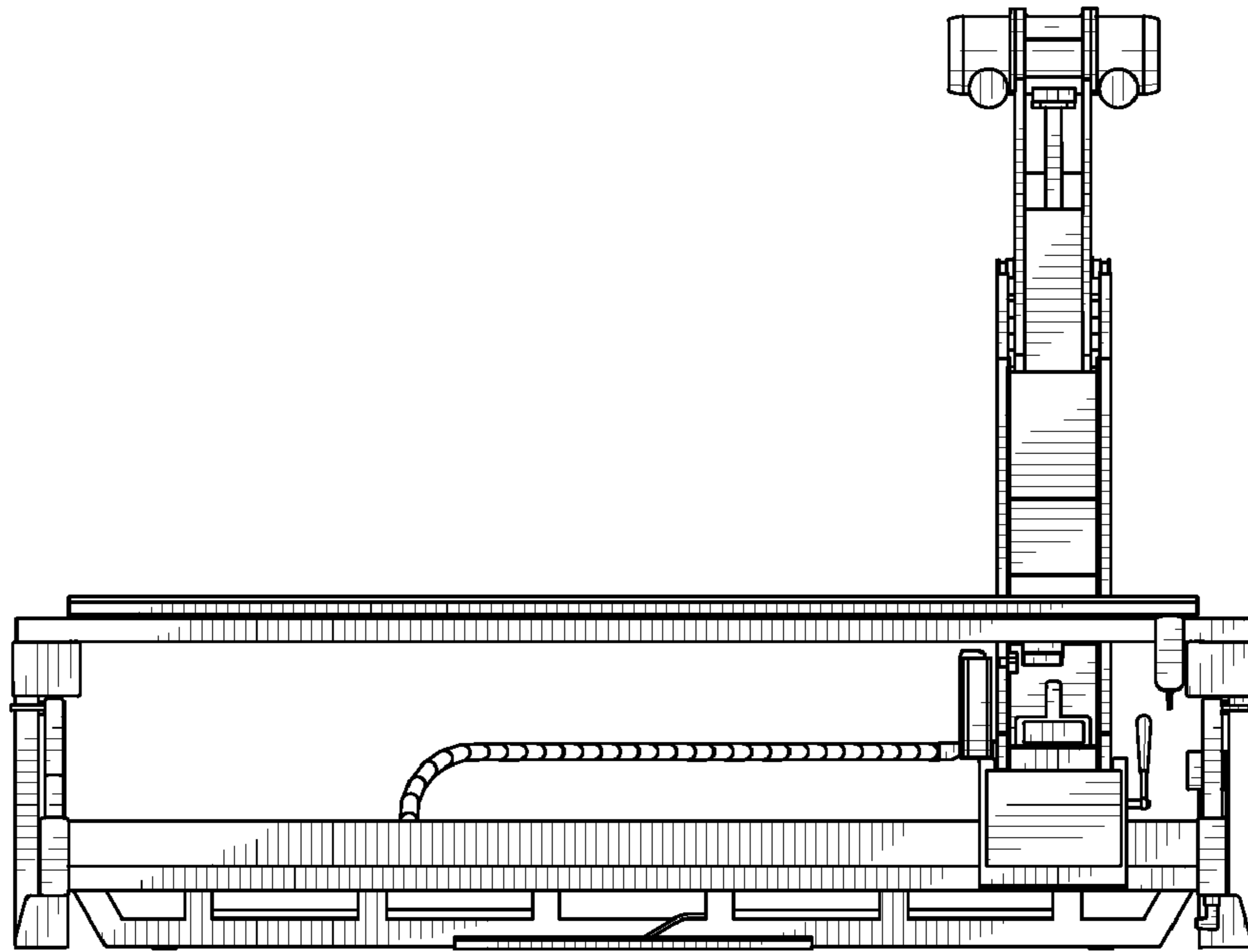


FIG. 4

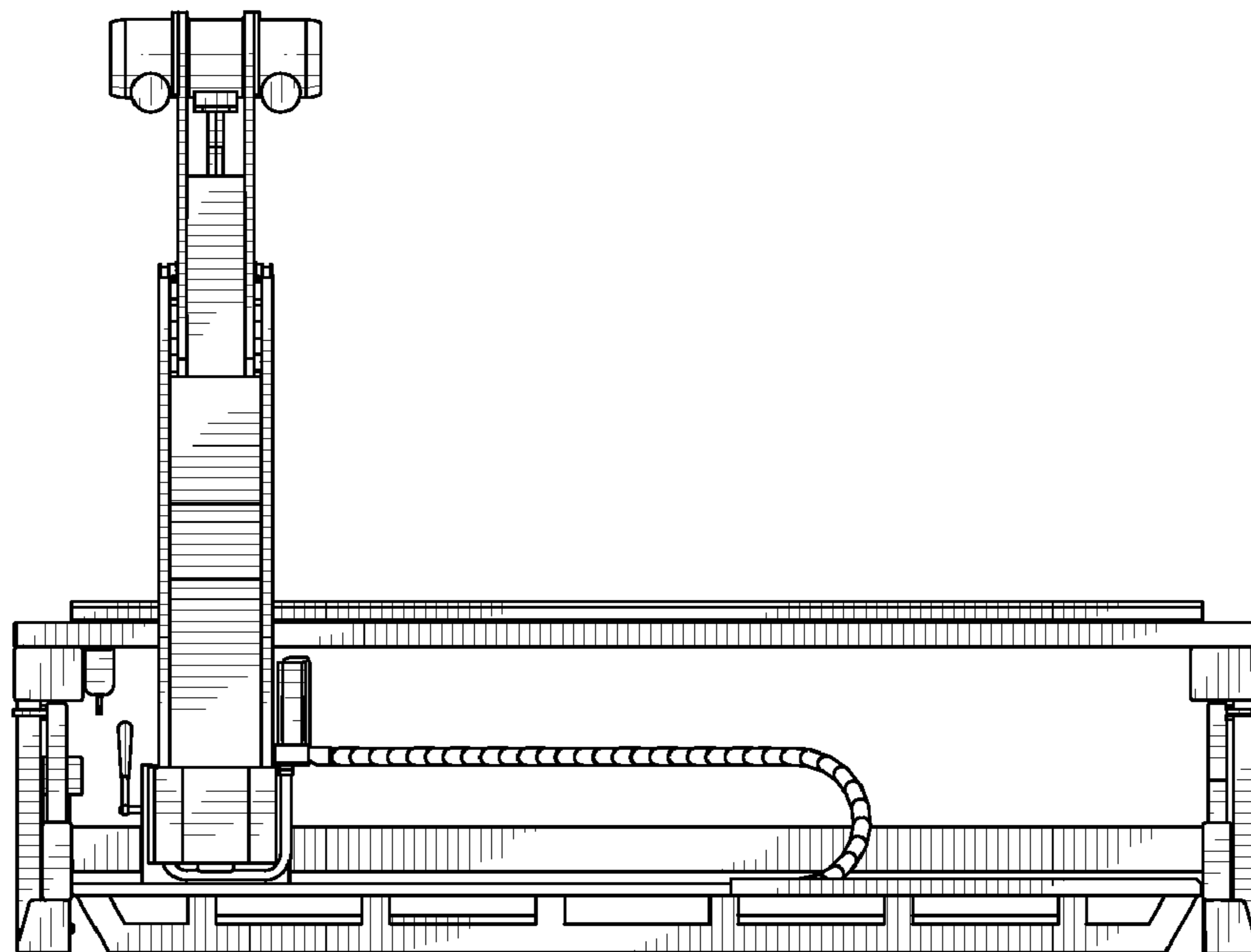


FIG. 5

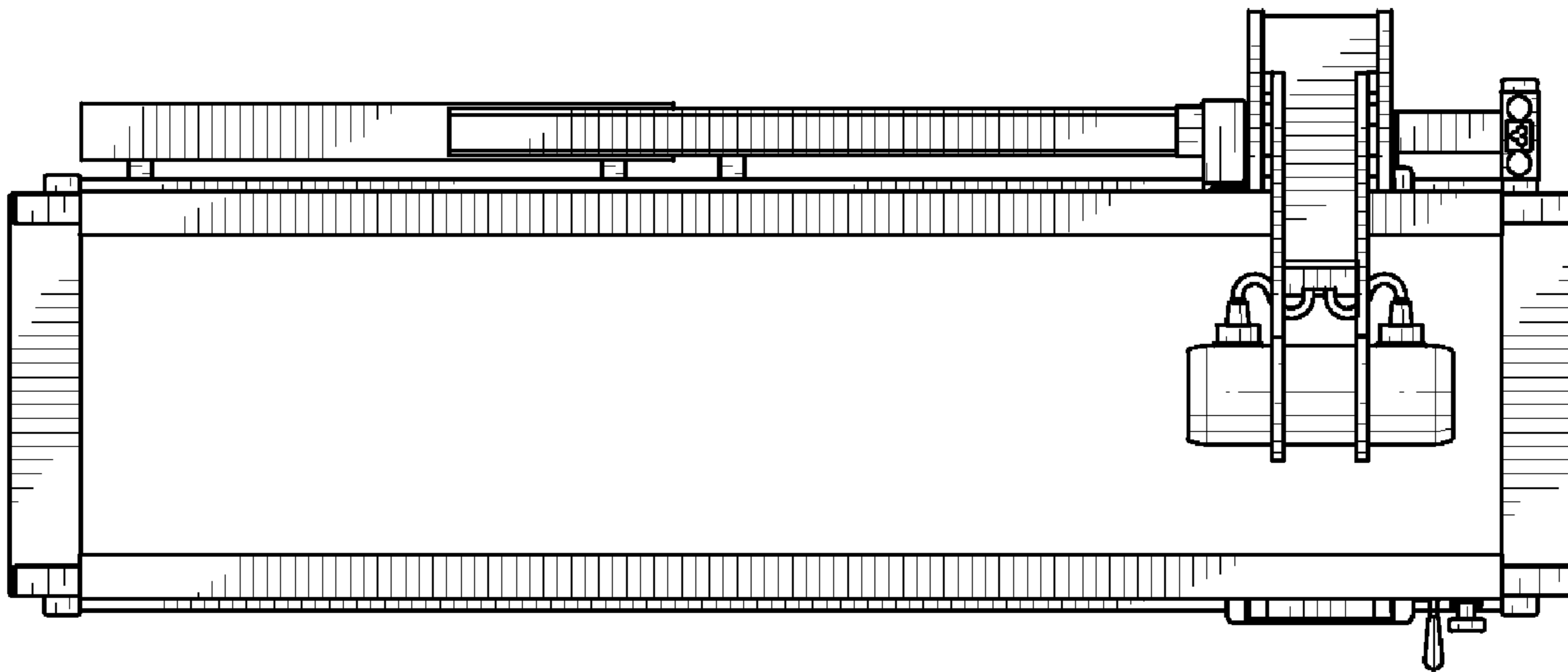


FIG. 6