

US00D555239S

(12) **United States Design Patent**  
**Shurtleff**

(10) **Patent No.:** **US D555,239 S**

(45) **Date of Patent:** **\*\* Nov. 13, 2007**

(54) **FAN BLADE**

D516,206 S \* 2/2006 Pickett ..... D23/413

(75) Inventor: **Mark L. Shurtleff**, Long Beach, CA  
(US)

\* cited by examiner

*Primary Examiner*—Lisa Lichtenstein

(73) Assignee: **Air Cool Industrial Co., Ltd.**,  
Taichung County (TW)

(74) *Attorney, Agent, or Firm*—Troxell Law Office, PLLC

(\*\*) Term: **14 Years**

(57) **CLAIM**

(21) Appl. No.: **29/265,126**

I claim the ornamental design for a fan blade, as shown and described.

(22) Filed: **Aug. 25, 2006**

**DESCRIPTION**

(51) **LOC (8) Cl.** ..... **23-04**

FIG. 1 is a front perspective view of a fan blade showing my new design;

(52) **U.S. Cl.** ..... **D23/413**

FIG. 2 is a front elevational view thereof;

(58) **Field of Classification Search** ..... D23/411,  
D23/377, 379, 385, 413; 416/5

FIG. 3 is a rear elevational view thereof.

See application file for complete search history.

FIG. 4 is a left side elevational view thereof;

(56) **References Cited**

FIG. 5 is a right side elevational view thereof;

**U.S. PATENT DOCUMENTS**

FIG. 6 is a top plan view thereof; and,

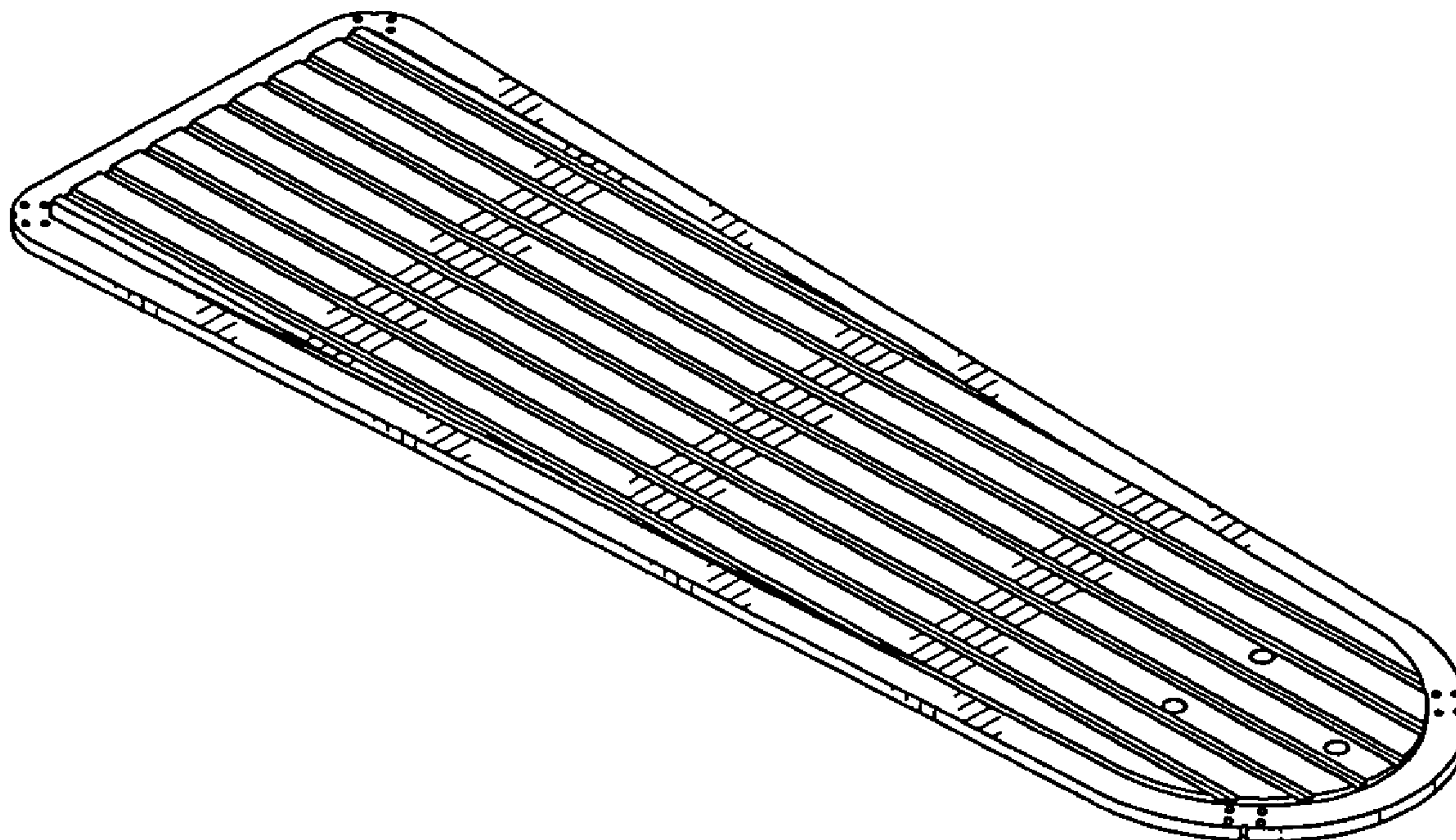
D476,729 S \* 7/2003 Moody et al. .... D23/413

FIG. 7 is a bottom plan view thereof.

D477,073 S \* 7/2003 Hsieh ..... D23/413

D514,695 S \* 2/2006 Badarello ..... D23/413

**1 Claim, 4 Drawing Sheets**



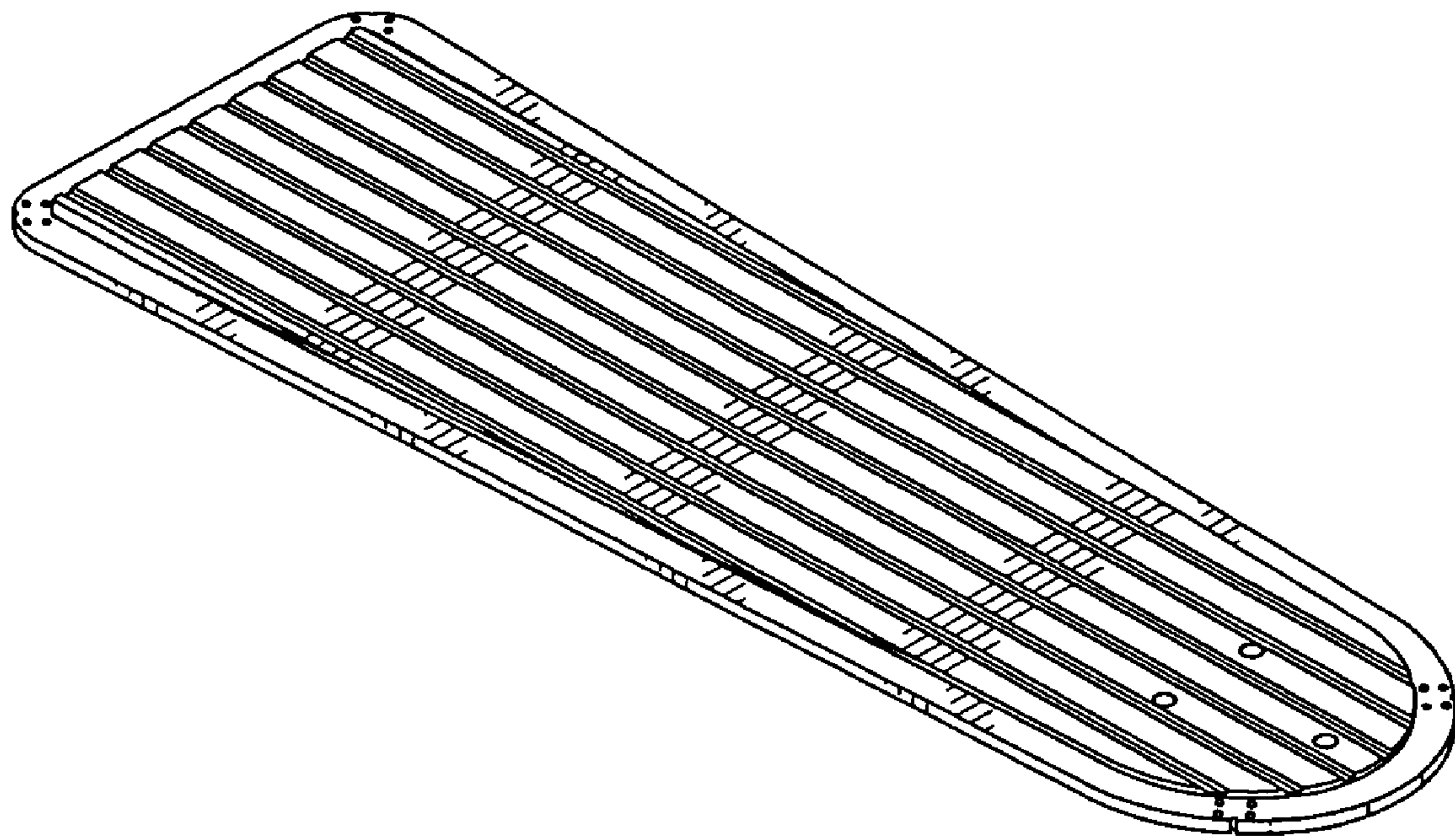


FIG. 1

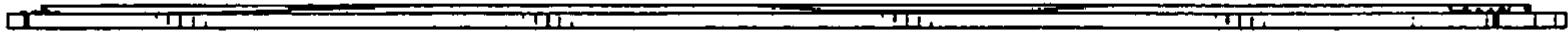


FIG. 2

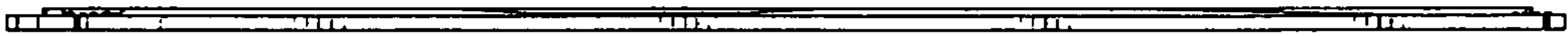


FIG. 3



FIG. 4



FIG. 5

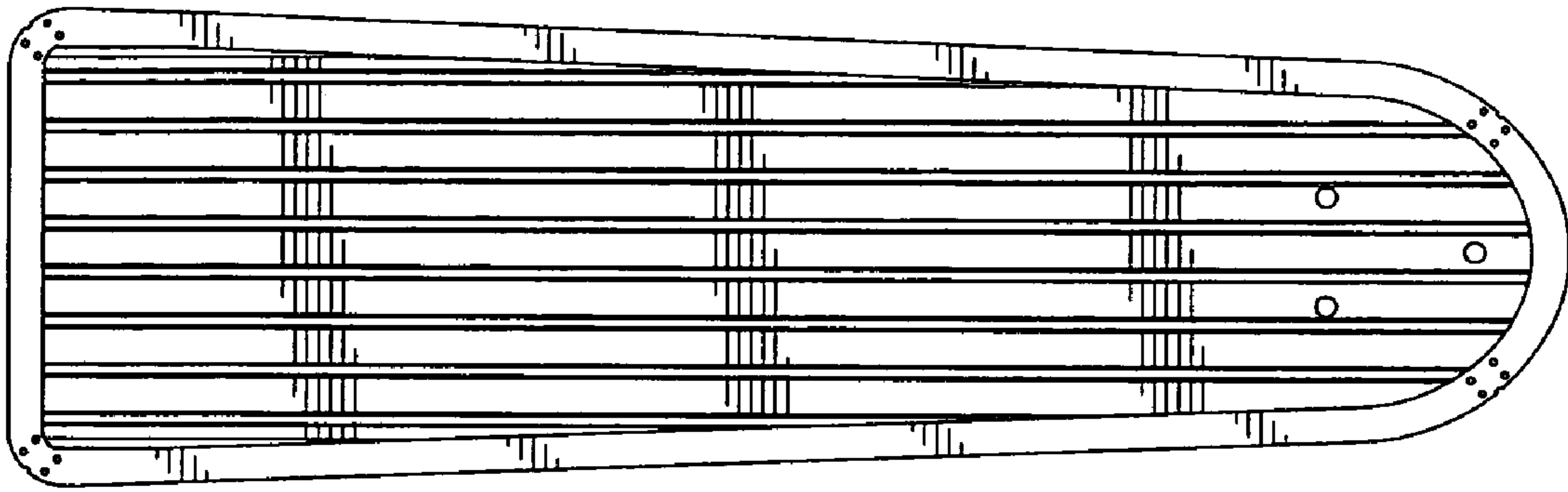


FIG. 6

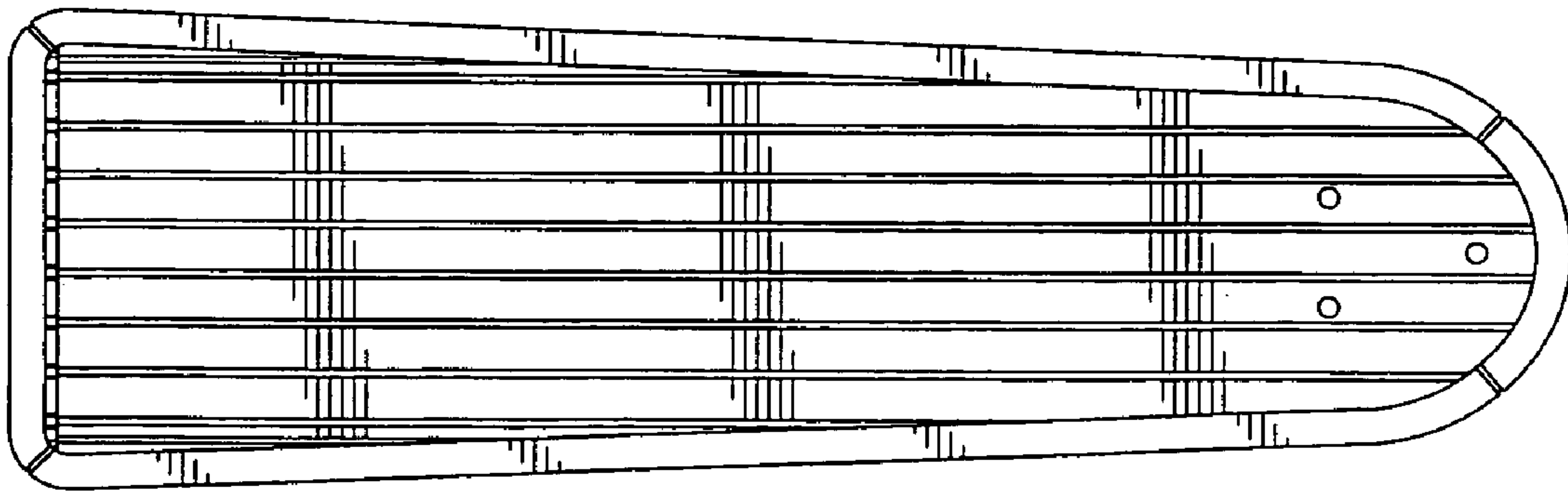


FIG. 7