

US00D555237S

(12) **United States Design Patent**  
**O'Hagin**

(10) **Patent No.:** **US D555,237 S**

(45) **Date of Patent:** **\*\* Nov. 13, 2007**

(54) **FLAT TILE VENT**

(76) Inventor: **Harry T. O'Hagin**, 119/15 Moo 3  
Bann KHO, Panakorn Sri, Ayutthaya  
(TH) 13000

(\*\*) Term: **14 Years**

(21) Appl. No.: **29/206,213**

(22) Filed: **May 25, 2004**

(51) **LOC (8) Cl.** ..... **23-04**

(52) **U.S. Cl.** ..... **D23/393**

(58) **Field of Classification Search** ..... D23/393,  
D23/373, 395; D25/141; 454/366, 250  
See application file for complete search history.

(56) **References Cited**

U.S. PATENT DOCUMENTS

D296,584 S *	7/1988	Hilton	.....	D23/370
D433,116 S *	10/2000	Han et al.	.....	D23/393
6,129,628 A *	10/2000	O'Hagin et al.	.....	454/366
D436,163 S *	1/2001	Peterson et al.	.....	D23/393
D453,375 S *	2/2002	Peng	.....	D23/370
D457,234 S *	5/2002	O'Hagin et al.	.....	D23/393
6,447,390 B1 *	9/2002	O'Hagin	.....	454/250
6,491,579 B1 *	12/2002	O'Hagin	.....	454/250

D494,265 S *	8/2004	Snyder et al.	.....	D23/393
D503,790 S *	4/2005	Dodge et al.	.....	D23/393
D505,195 S *	5/2005	Snyder	.....	D23/393

\* cited by examiner

*Primary Examiner*—Catherine R. Oliver

*Assistant Examiner*—David G. Muller

(74) *Attorney, Agent, or Firm*—Knobbe Martens Olson & Bear LLP

(57) **CLAIM**

The ornamental design for a flat tile vent, as shown and described.

**DESCRIPTION**

FIG. 1 is an exploded front perspective view of a flat tile vent showing our new design;

FIG. 2 is an exploded back perspective view thereof;

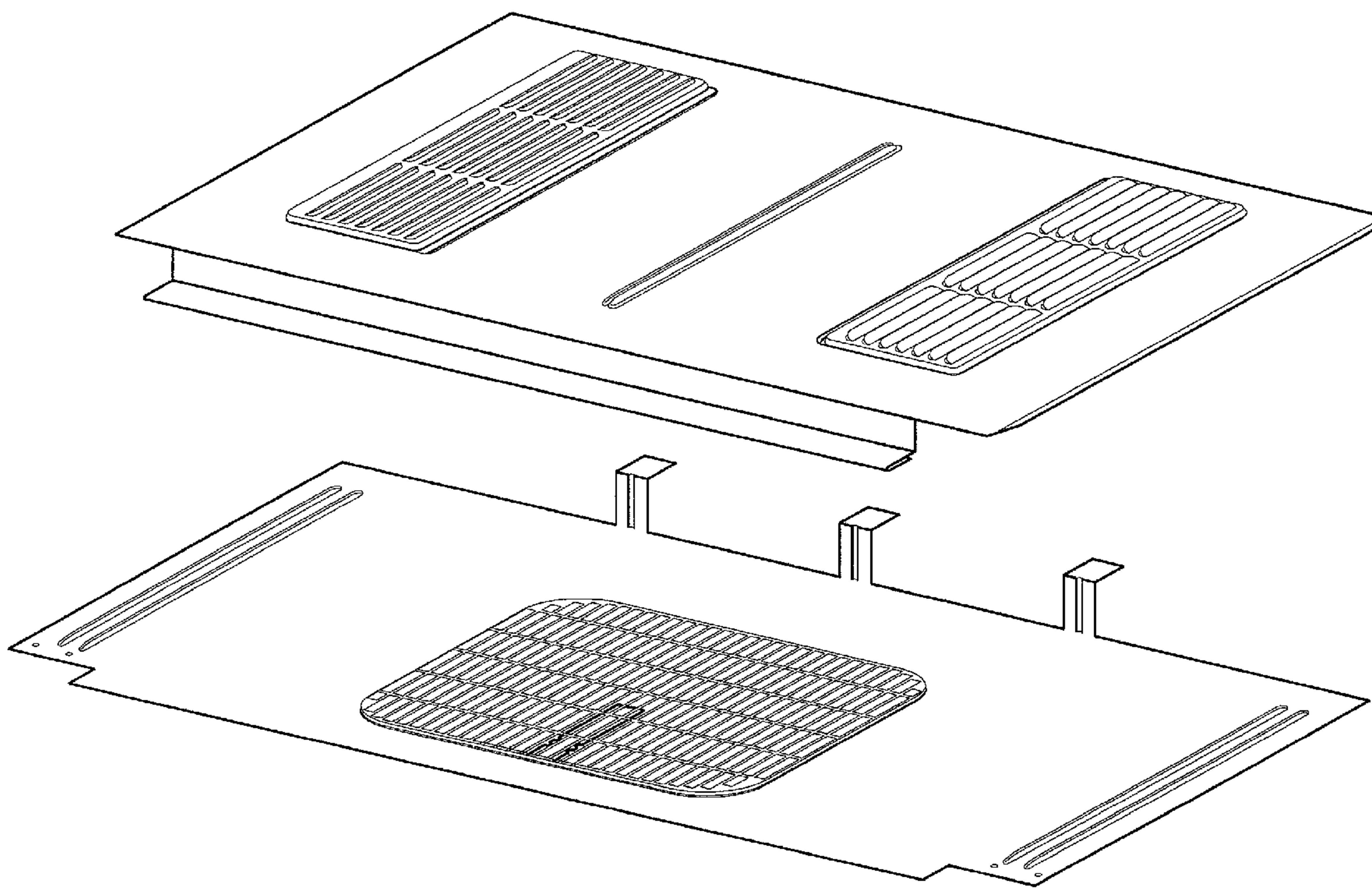
FIG. 3 is a bottom plan view thereof;

FIG. 4 is top plan view thereof;

FIG. 5 is a rear elevation view thereof; and,

FIG. 6 is a left side elevation view thereof: the right side being a mirror image.

**1 Claim, 6 Drawing Sheets**



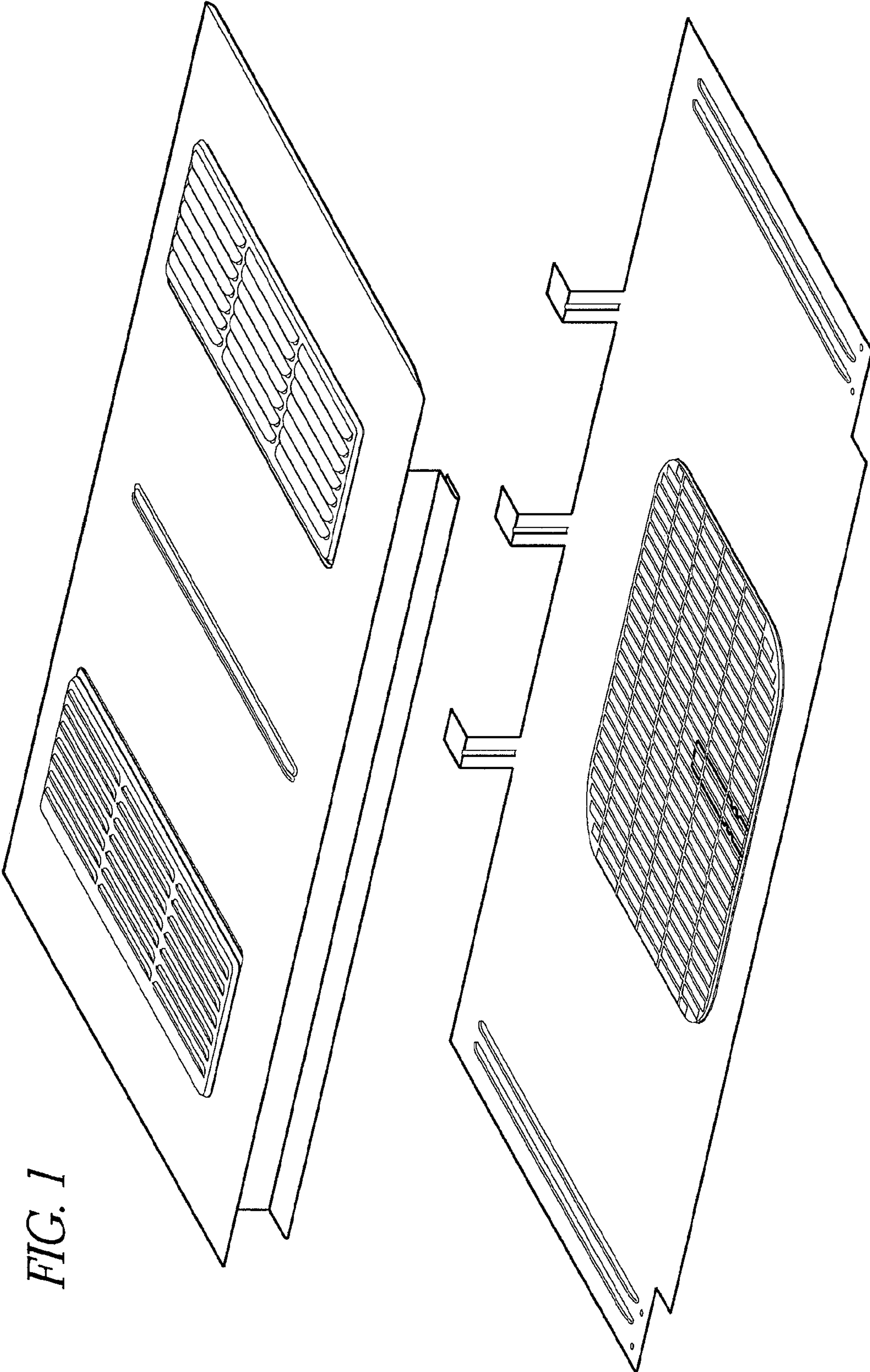


FIG. 1



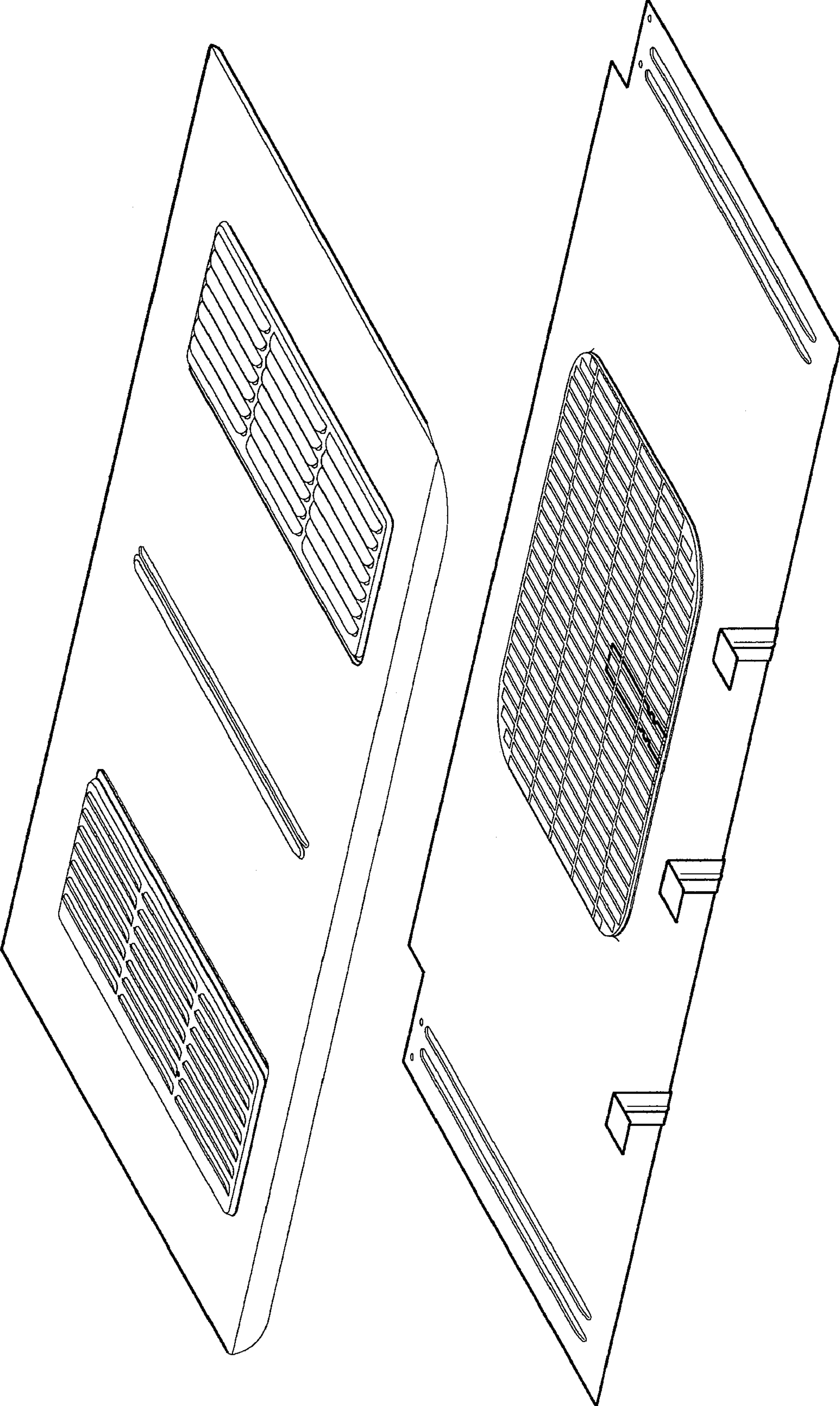


FIG. 2

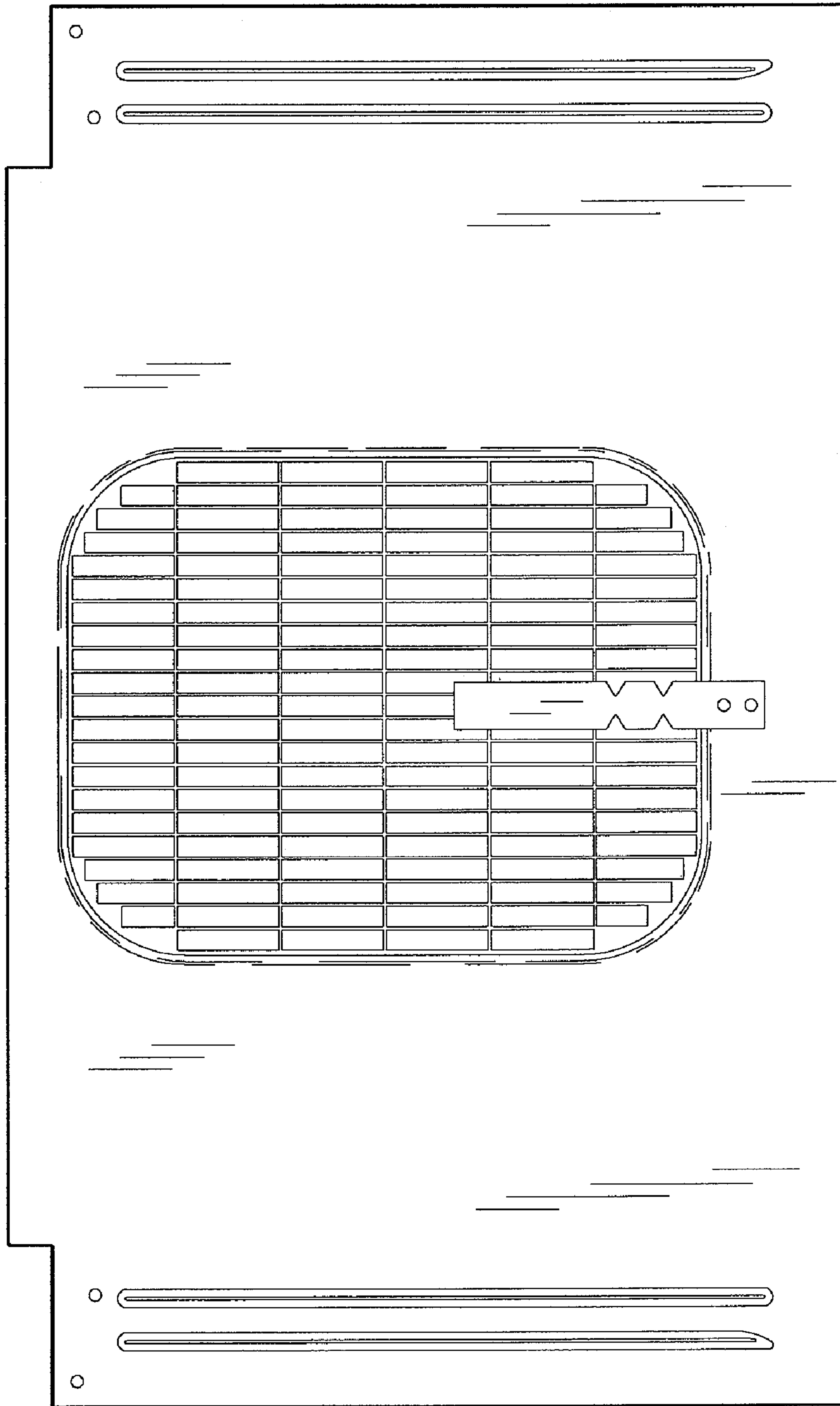


FIG. 3

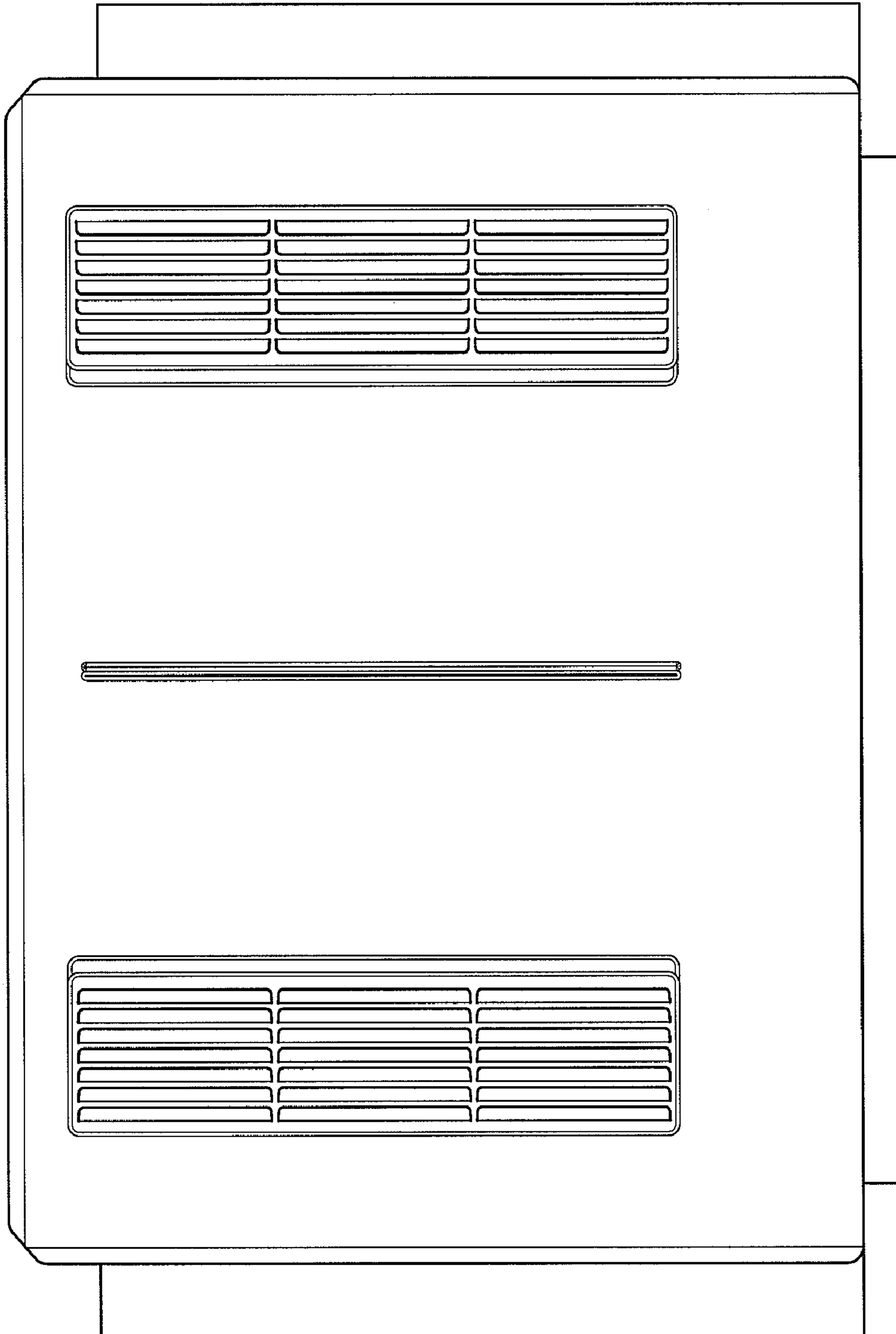
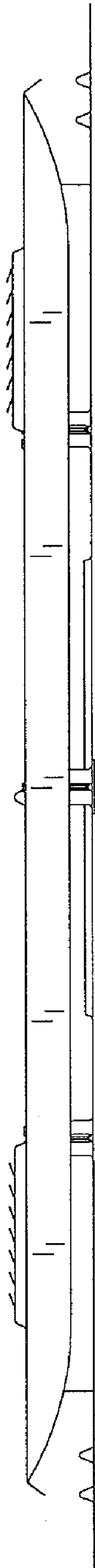
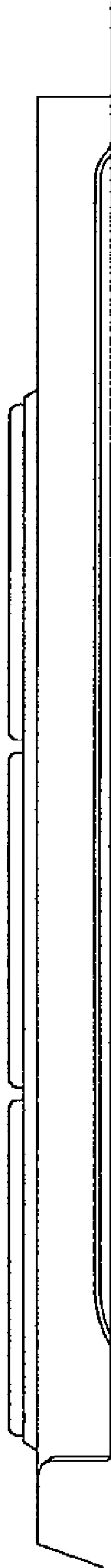


FIG. 4



*FIG. 5*



*FIG. 6*