



US00D555236S

(12) **United States Design Patent**  
**Snow et al.**

(10) **Patent No.:** **US D555,236 S**

(45) **Date of Patent:** **\*\* Nov. 13, 2007**

(54) **PORTION OF A HUMIDIFIER UNIT AND TUB**

(75) Inventors: **John Michael Snow**, Cremorne (AU); **Dan Kao**, Chatswood (AU); **Perry David Lithgow**, Glenwood (AU); **Ian Malcolm Smith**, Westleigh (AU); **William Bonilla**, Blacktown (AU)

(73) Assignee: **Resmed Limited**, Bella Vista, New South Wales (AU)

(\*\*) Term: **14 Years**

(21) Appl. No.: **29/274,056**

(22) Filed: **Mar. 26, 2007**

**Related U.S. Application Data**

(63) Continuation of application No. 29/251,426, filed on Jan. 9, 2006.

(51) **LOC (8) Cl.** ..... **23-04**

(52) **U.S. Cl.** ..... **D23/356**

(58) **Field of Classification Search** ..... D23/356,  
D23/358; 392/386, 405-6; 239/136; 261/DIG. 65;  
D24/110

See application file for complete search history.

(56) **References Cited**

**U.S. PATENT DOCUMENTS**

4,657,713 A	4/1987	Miller
6,314,237 B1	11/2001	Glucksman
D468,819 S	1/2003	Lai et al.
D486,900 S	2/2004	Keller et al.

**OTHER PUBLICATIONS**

Parent Application, Snow et al., U.S. Appl. No. 29/251,426, filed Jan. 9, 2006.

*Primary Examiner*—Robin V. Webster  
(74) *Attorney, Agent, or Firm*—Nixon & Vanderhye P.C.

(57) **CLAIM**

The ornamental design for a portion of a humidifier unit and tub, as shown and described.

**DESCRIPTION**

FIG. 1 is a front perspective view of a portion of a humidifier unit and tub according to our design;

FIG. 2 is a front view thereof;

FIG. 3 is a rear view thereof;

FIG. 4 is a top view thereof;

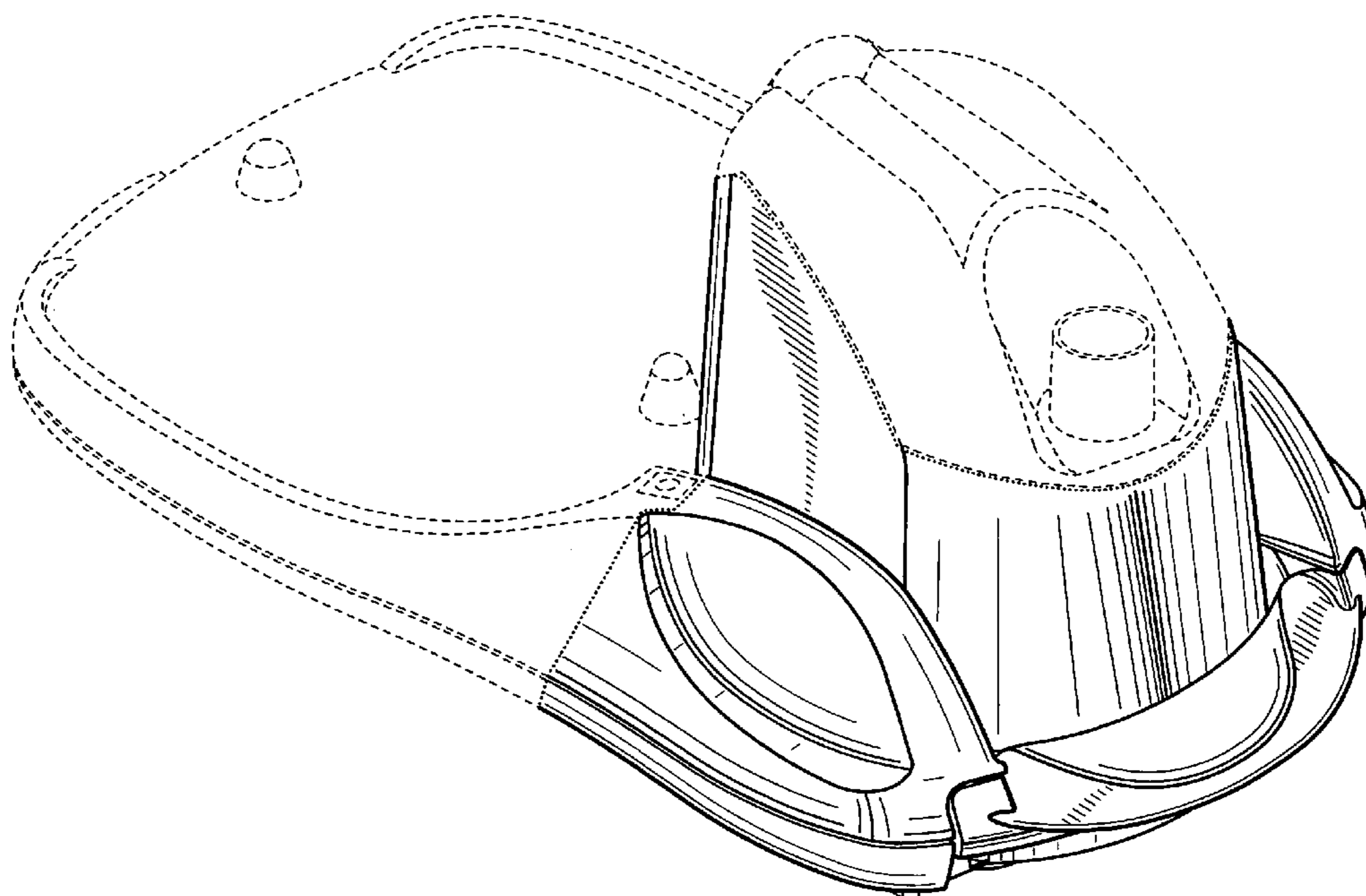
FIG. 5 is a right side view thereof; and,

FIG. 6 is a left side view thereof.

Throughout the various figures of the drawings, certain views may not be provided. The omission of a particular view is intended to convey that the element(s) depicted is/are plain and unornamented in that omitted view, or that the particular ornamental appearance in that view is simply not claimed.

Where included, broken lines showing environment or structure are for illustrative purposes only and form no part of the claimed design. Where included, dotted lines represent the border between claimed and non-claimed subject matter and form no part of the claimed design.

**1 Claim, 5 Drawing Sheets**



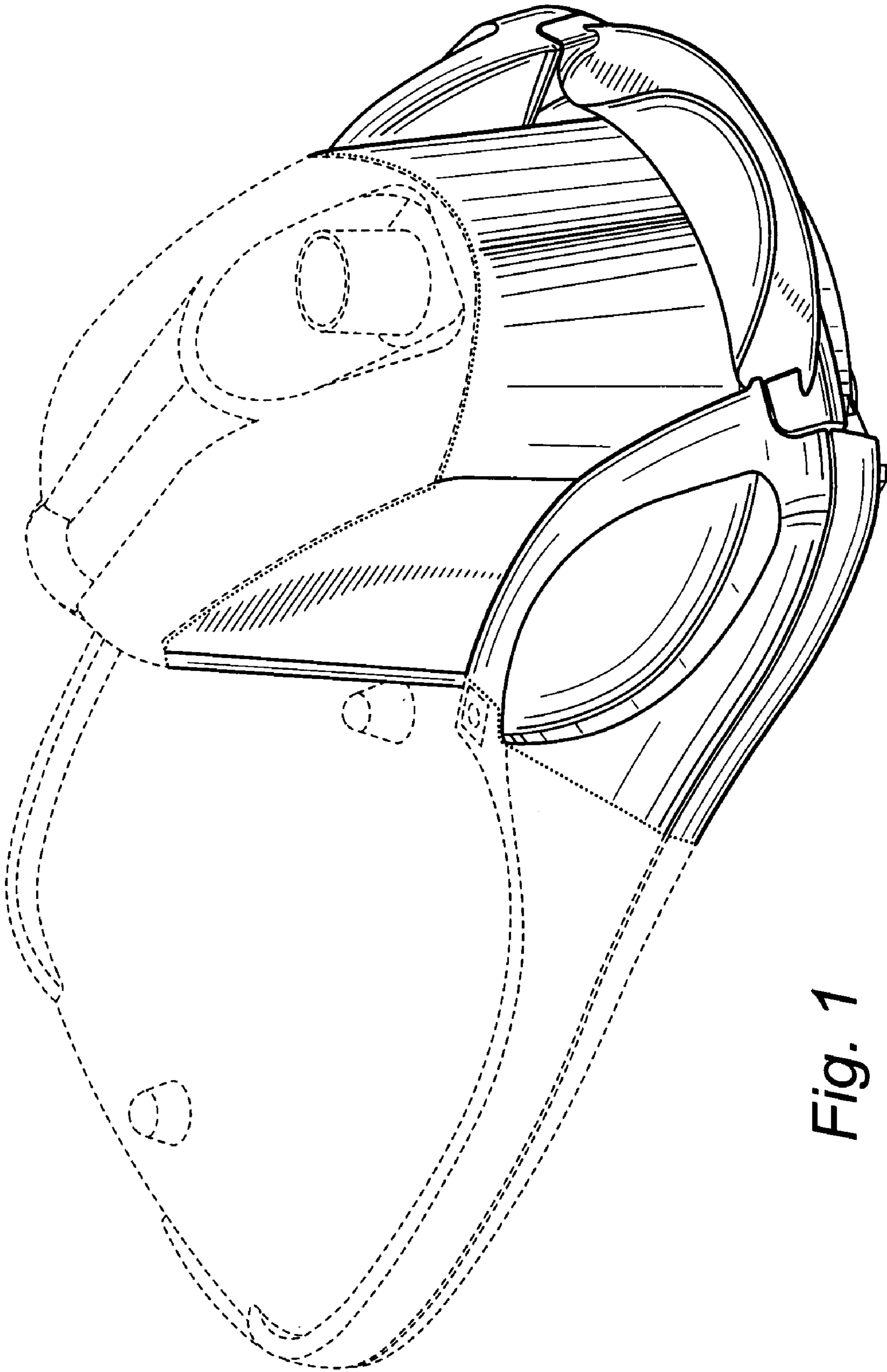
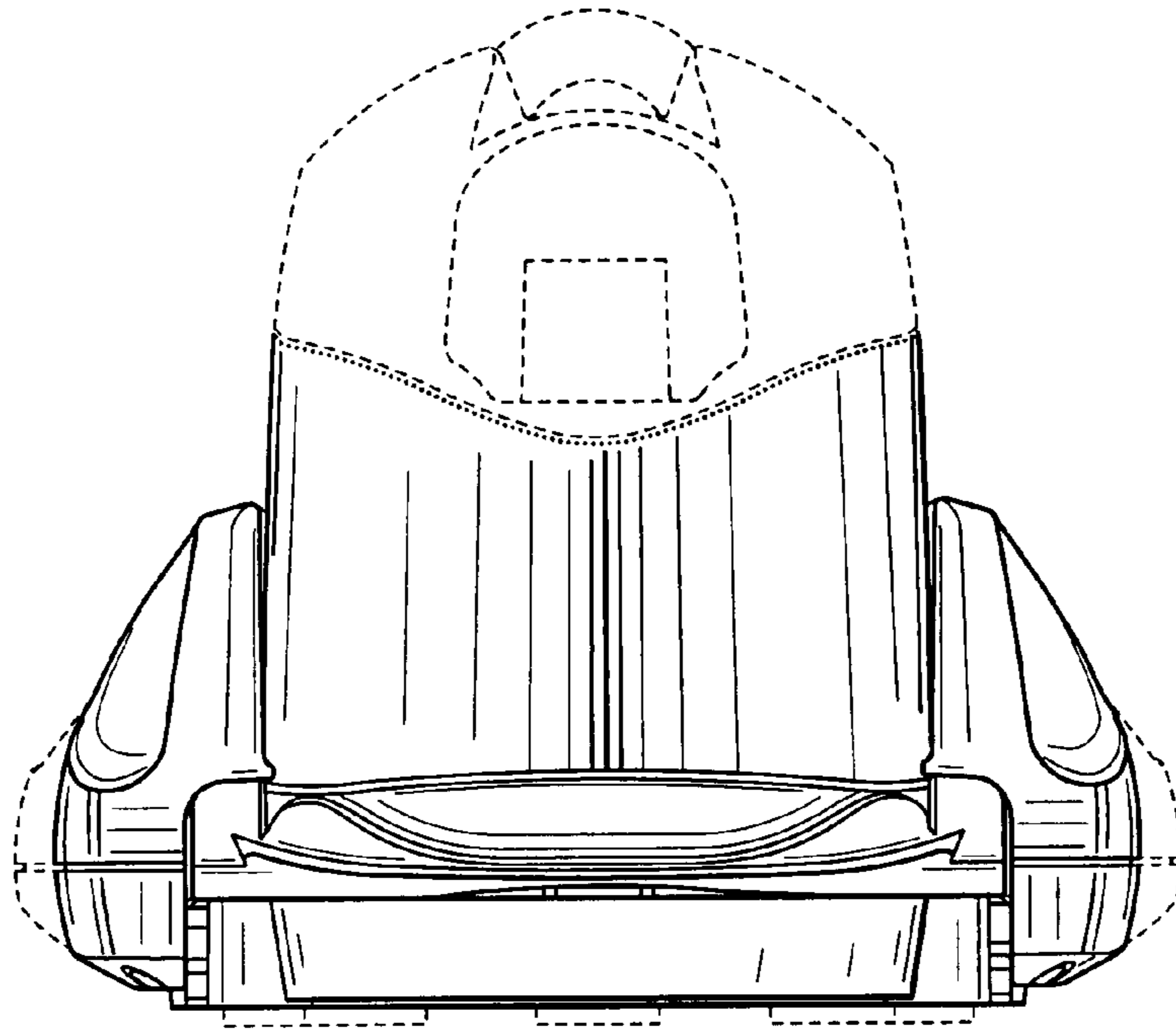
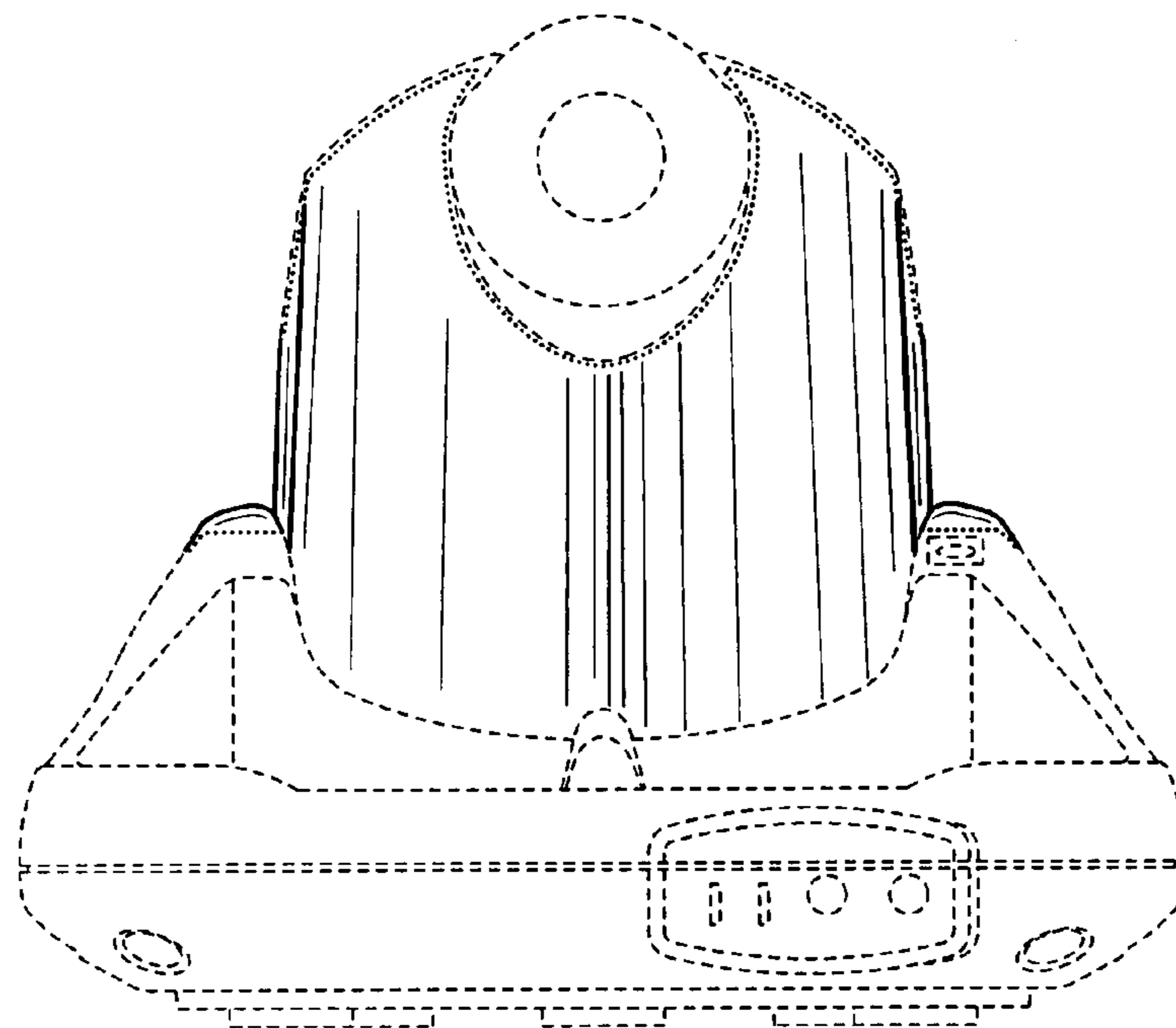


Fig. 1



*Fig. 2*



*Fig. 3*

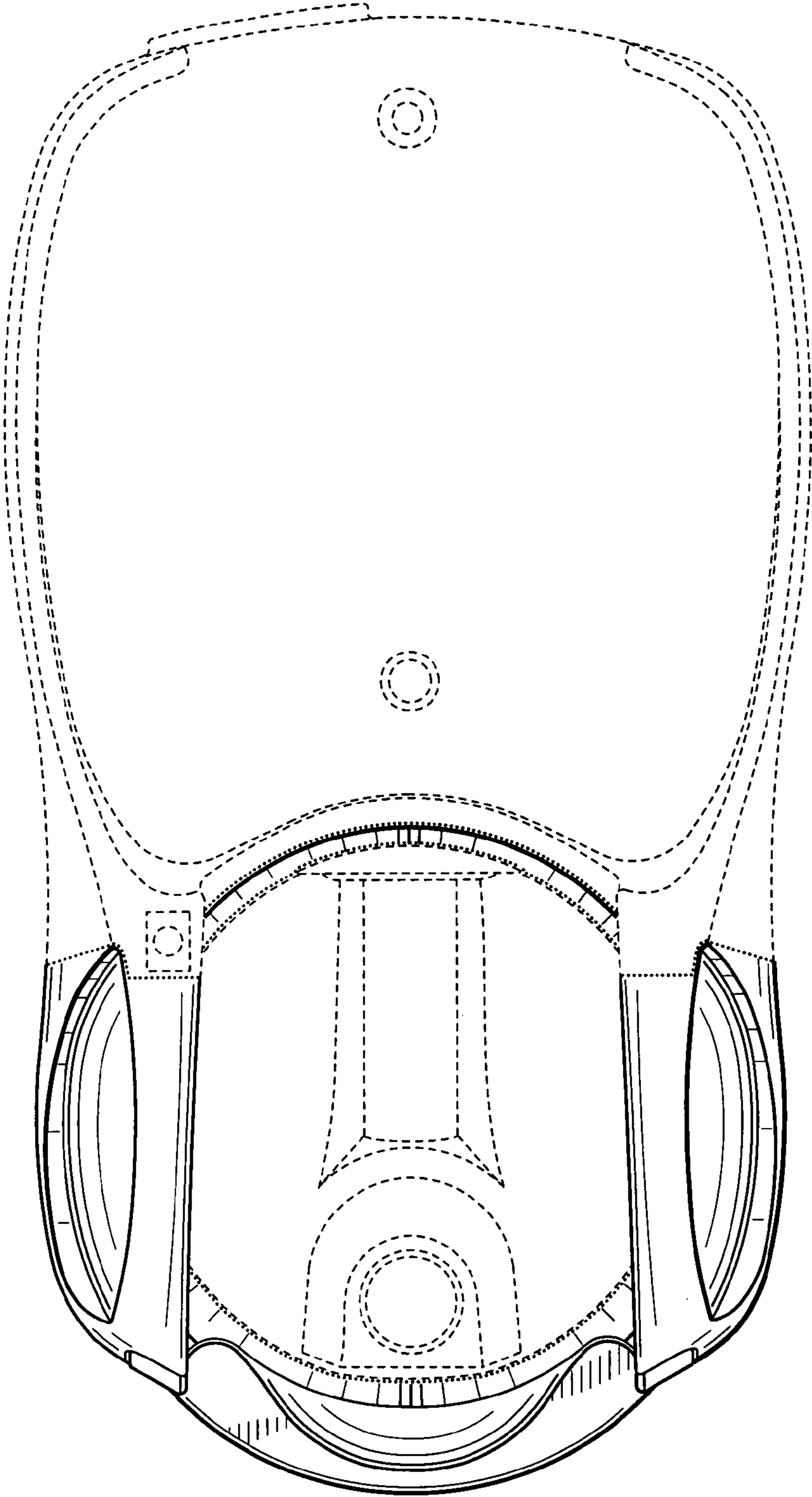


Fig. 4



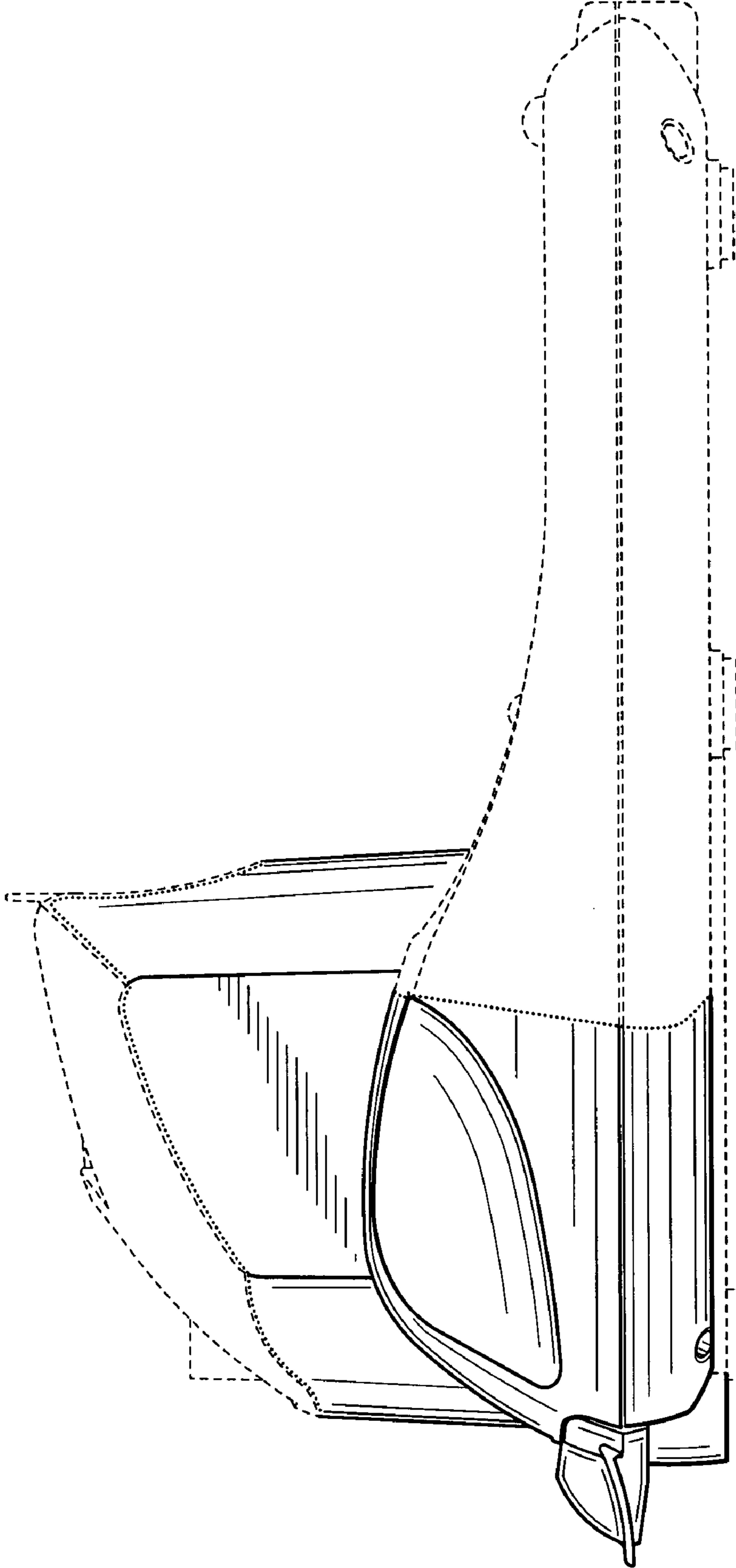


Fig. 5

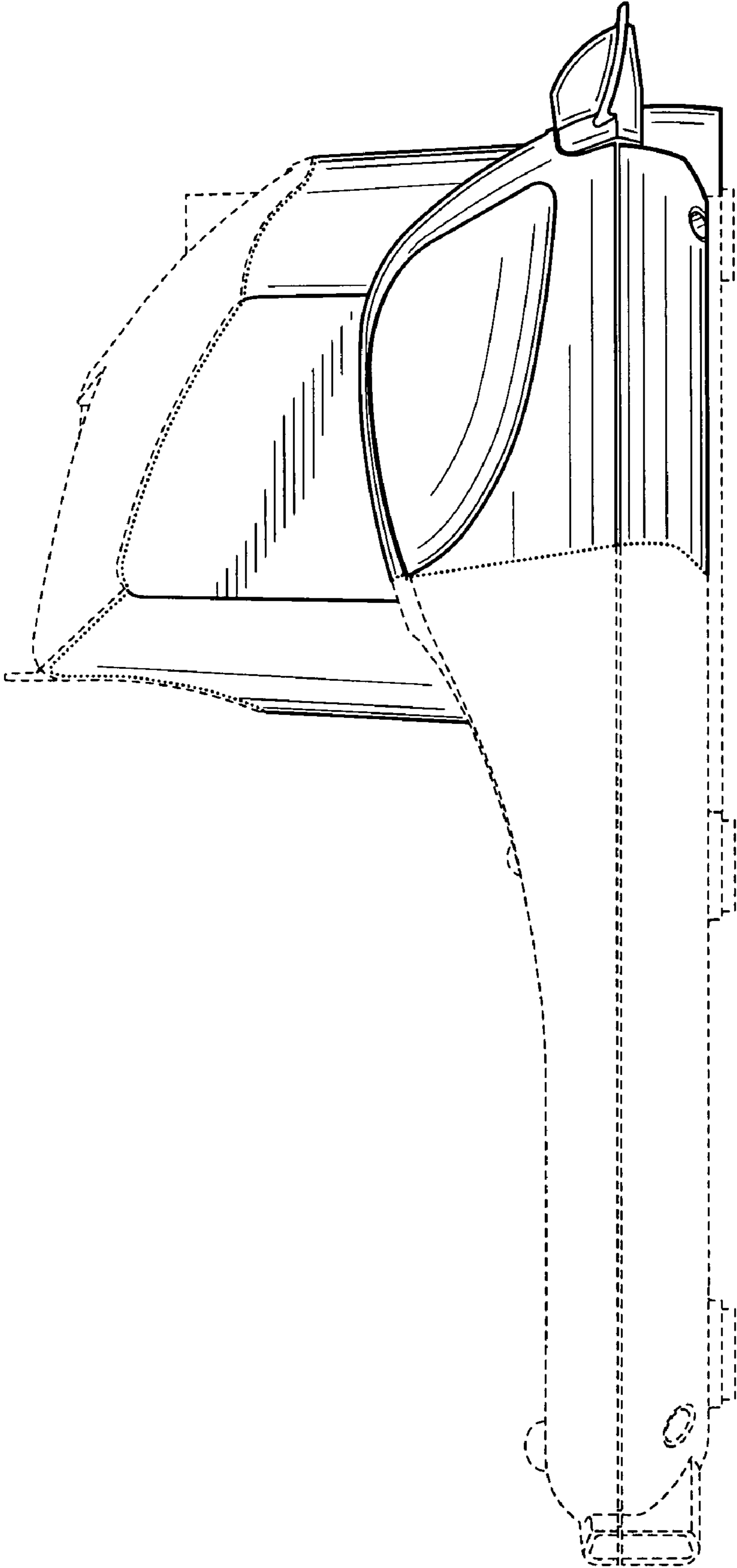


Fig. 6