



US00D555235S

(12) **United States Design Patent** (10) **Patent No.:** **US D555,235 S**
Korkowski et al. (45) **Date of Patent:** **** Nov. 13, 2007**

(54) **CPAP BLOWER HOUSING**

(75) Inventors: **Kurt J. Korkowski**, Carver, MN (US); **Timothy R. Dougherty**, Crystal, MN (US); **Joseph A. Baser**, Lino Lakes, MN (US); **David Markovich**, Eden Prairie, MN (US); **Steven S. Bordewick**, North Shoreview, MN (US); **Mark J. Weimholt**, Coon Rapids, MN (US); **H. Stephen Quinn**, Eau Claire, WI (US); **Laurel D. Brandt**, Eagan, MN (US)

(73) Assignee: **Aeionmed, Inc.**, Minneapolis, MN (US)

(**) Term: **14 Years**

(21) Appl. No.: **29/260,914**

(22) Filed: **Jun. 1, 2006**

(51) **LOC (8) Cl.** **23-04**

(52) **U.S. Cl.** **D23/356**

(58) **Field of Classification Search** D14/188, D14/170, 172; 128/204.18, 204.23, 205.26, 128/202.12, 203.16; 236/44 A; 415/206; 600/22; 261/119.1; D23/356, 383, 364, D23/359, 360, 362, 352, 366, 369, 332, 333, D23/335, 336, 342, 355, 365, 358; D24/110, D24/169, 111; 422/120, 122; 55/356, 473, 55/504; 210/497.1; 96/97

See application file for complete search history.

(56) **References Cited**

U.S. PATENT DOCUMENTS

- 3,799,163 A * 3/1974 Heath 128/205.26
- D243,364 S * 2/1977 Miller D24/110
- D305,683 S * 1/1990 Klein D23/365
- D308,417 S * 6/1990 Belanger et al. D23/383
- D327,315 S * 6/1992 Pelonis D23/355
- D335,532 S * 5/1993 Lopez D23/383
- D348,728 S * 7/1994 O'Grady et al. D23/358
- D374,931 S * 10/1996 Cesaroni et al. D24/169

- 5,682,878 A * 11/1997 Ogden 128/204.23
- D392,378 S * 3/1998 Sato D23/364
- D416,613 S * 11/1999 Bellil et al. D23/364
- 6,024,694 A * 2/2000 Goldberg et al. 600/22
- D427,675 S * 7/2000 Hansel D24/110
- D428,980 S * 8/2000 Sato D23/364
- 6,345,618 B1 * 2/2002 Hayek 128/202.12
- D469,176 S * 1/2003 Hall et al. D24/111

(Continued)

Primary Examiner—Louis Zarfaz

Assistant Examiner—David G. Muller

(74) *Attorney, Agent, or Firm*—Kevin W. Cyr; Cyr & Associates, P.A.

(57) **CLAIM**

The ornamental design for a CPAP blower housing, as shown and described.

DESCRIPTION

FIG. 1 is a perspective view of a continuous positive airway pressure [CPAP] blower housing according to our new design.

FIG. 2 is a front elevation view of the CPAP blower housing of FIG. 1.

FIG. 3 is a rear elevation view of the CPAP blower housing of FIG. 1.

FIG. 4 is a left side elevation view of the CPAP blower housing of FIG. 1.

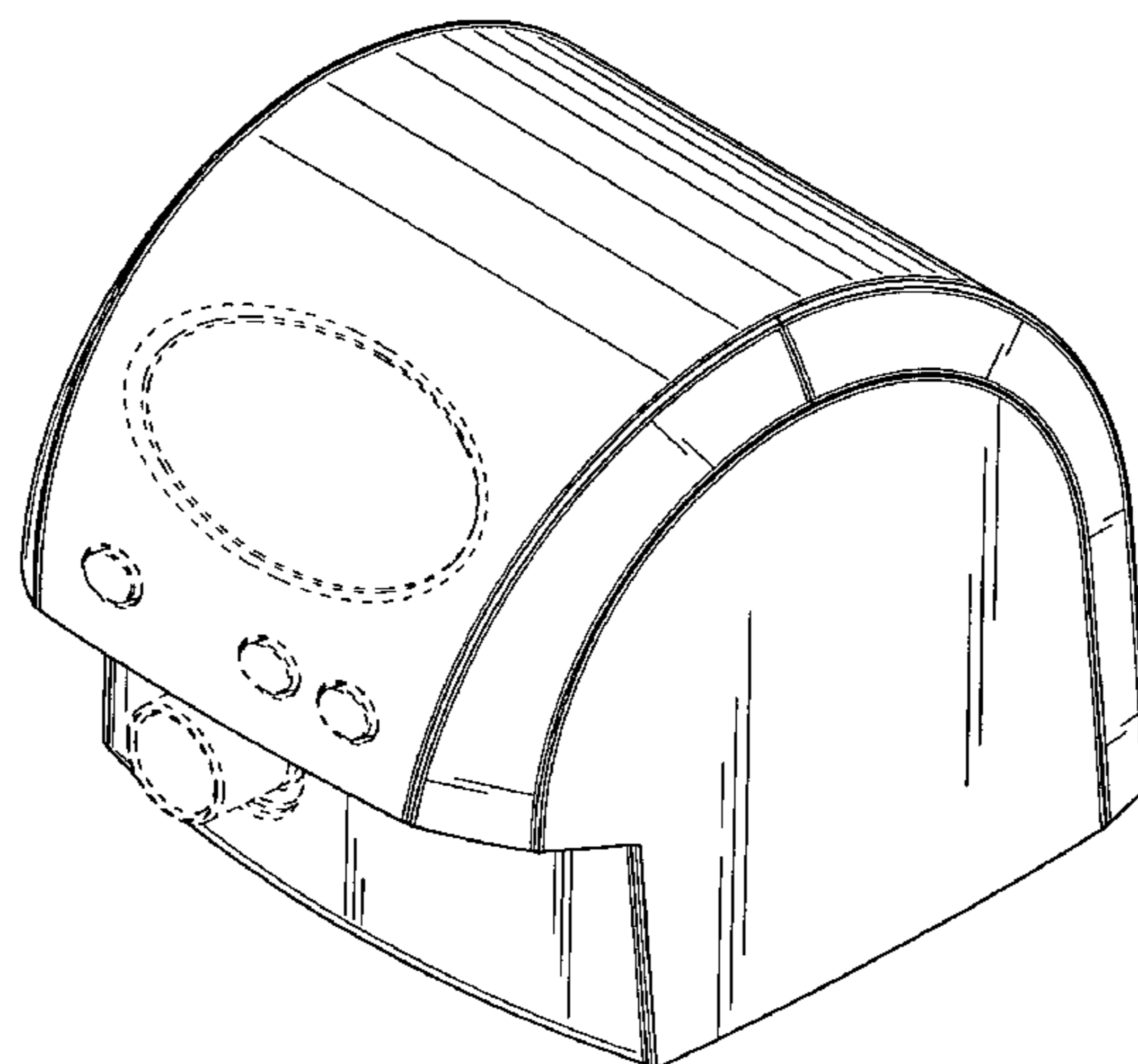
FIG. 5 is a right side elevation view of the CPAP blower housing of FIG. 1.

FIG. 6 is a top plan view of the CPAP blower housing of FIG. 1; and,

FIG. 7 is a bottom plan view of the CPAP blower housing of FIG. 1.

The broken lines are for illustrative purposes only and do not form a part of the claimed design.

1 Claim, 7 Drawing Sheets



US D555,235 S

Page 2

U.S. PATENT DOCUMENTS

D475,134 S *	5/2003	Randolph	D24/111	D537,517 S *	2/2007	Hancock	D23/383
D487,311 S *	3/2004	Lithgow et al.	D24/110	2004/0020488 A1 *	2/2004	Kniewasser	128/204.18
D492,399 S *	6/2004	Jenkinson	D23/356	2006/0231097 A1 *	10/2006	Dougherty et al.	128/204.18
6,827,340 B2 *	12/2004	Austin et al.	261/119.1	2007/0000489 A1 *	1/2007	Huang	128/204.18
7,111,624 B2 *	9/2006	Thudor et al.	128/203.16	2007/0017518 A1 *	1/2007	Farrugia et al.	128/204.23

* cited by examiner

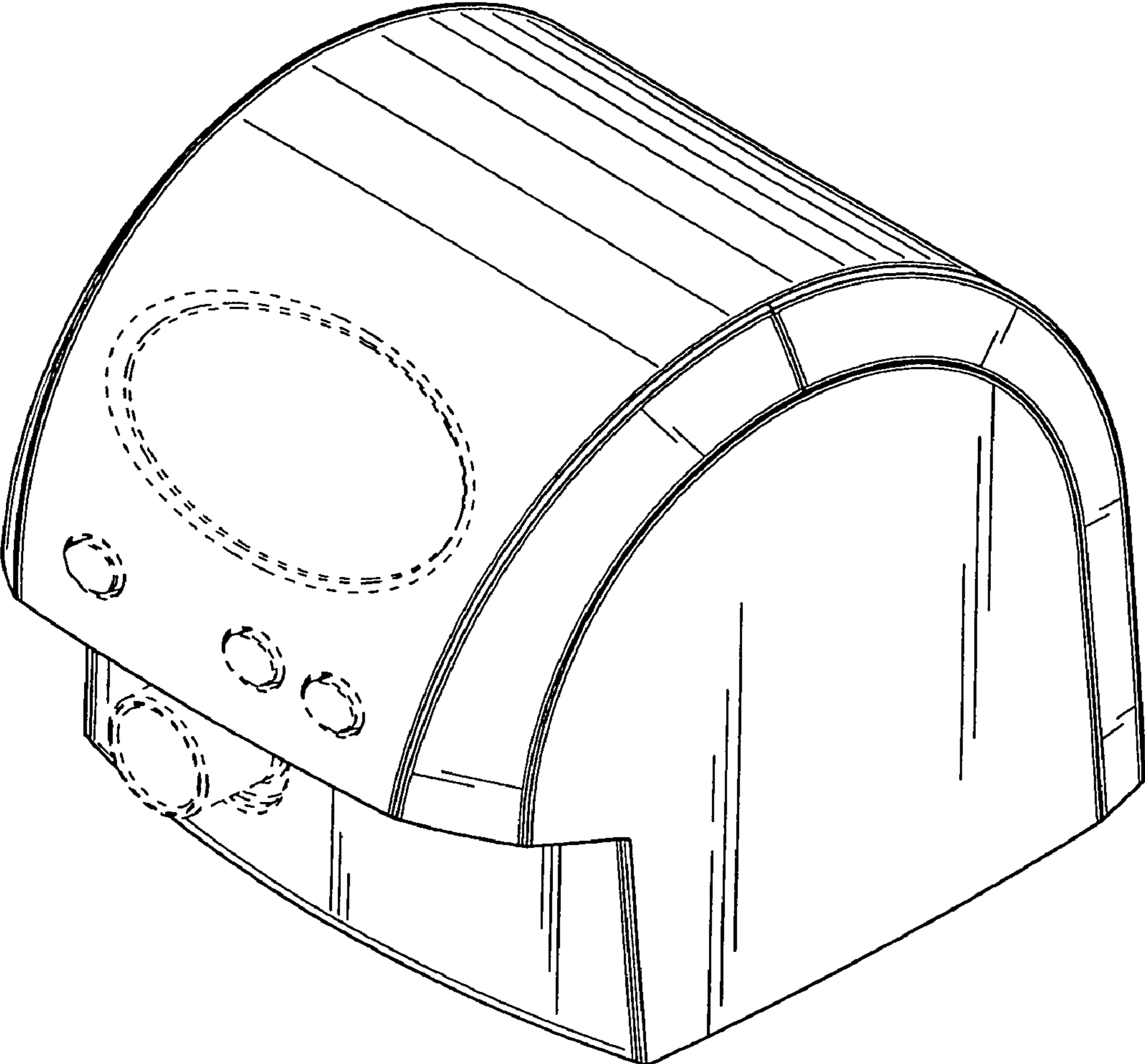


Fig. 1

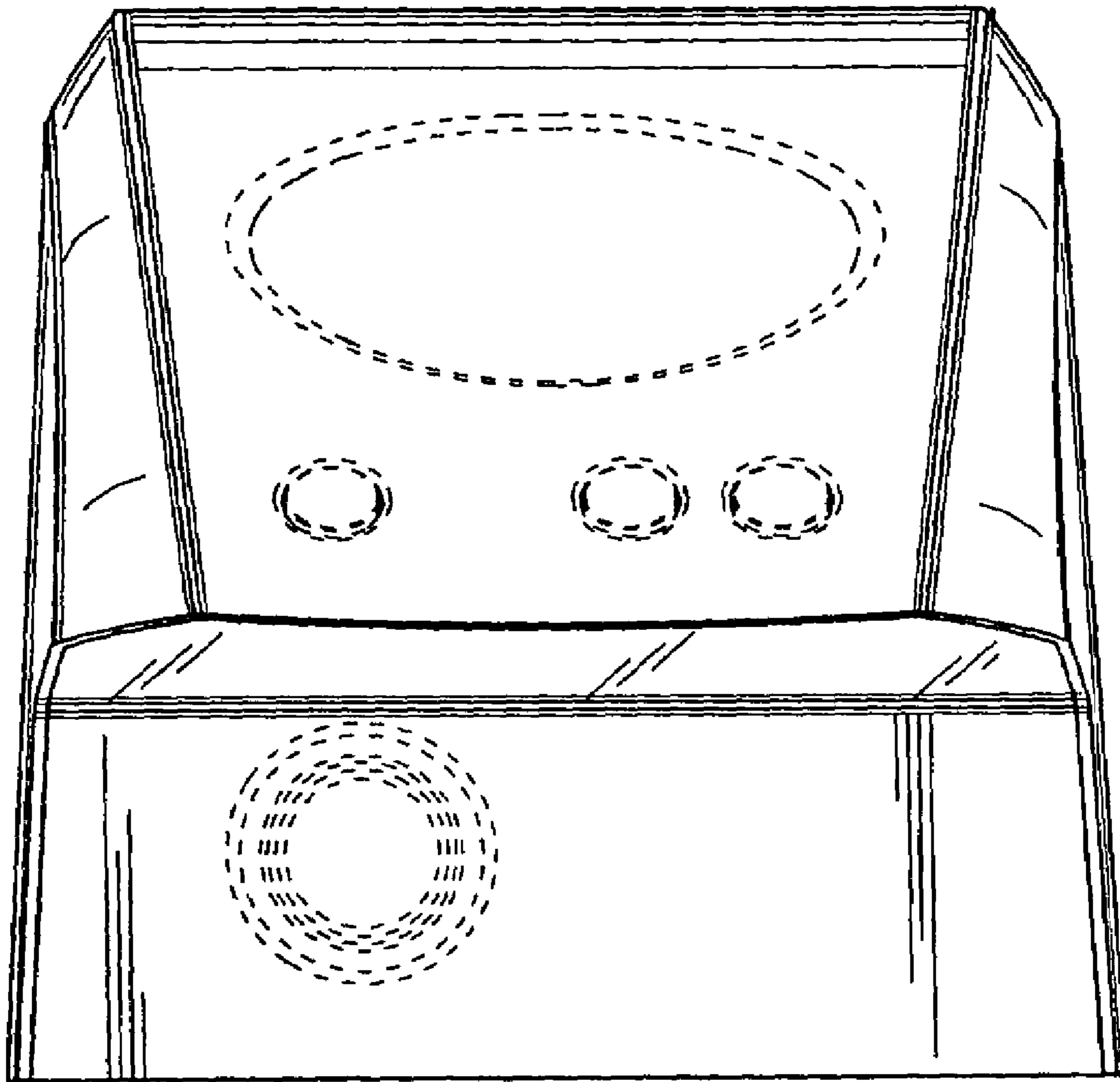


Fig. 2

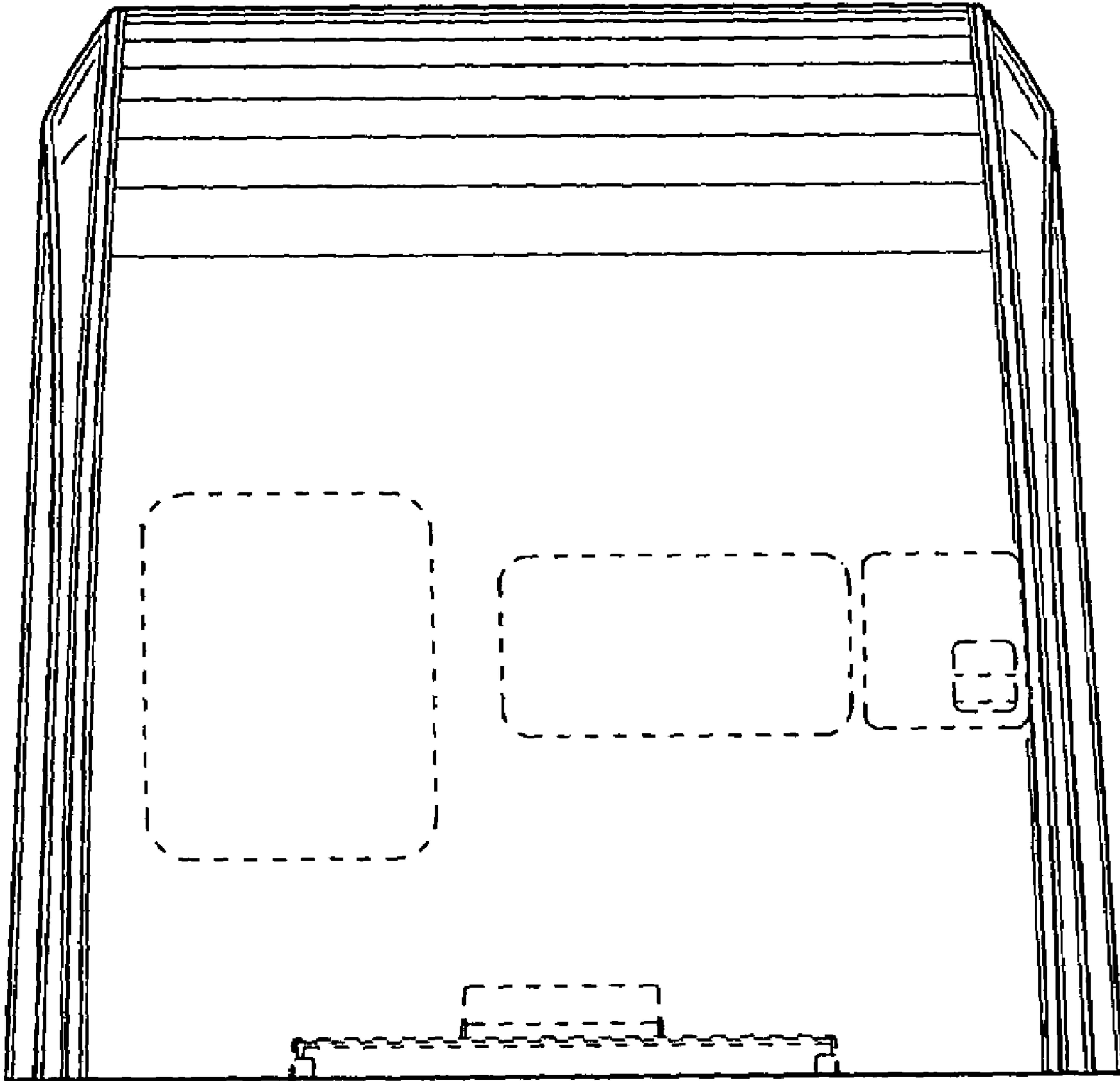


Fig. 3

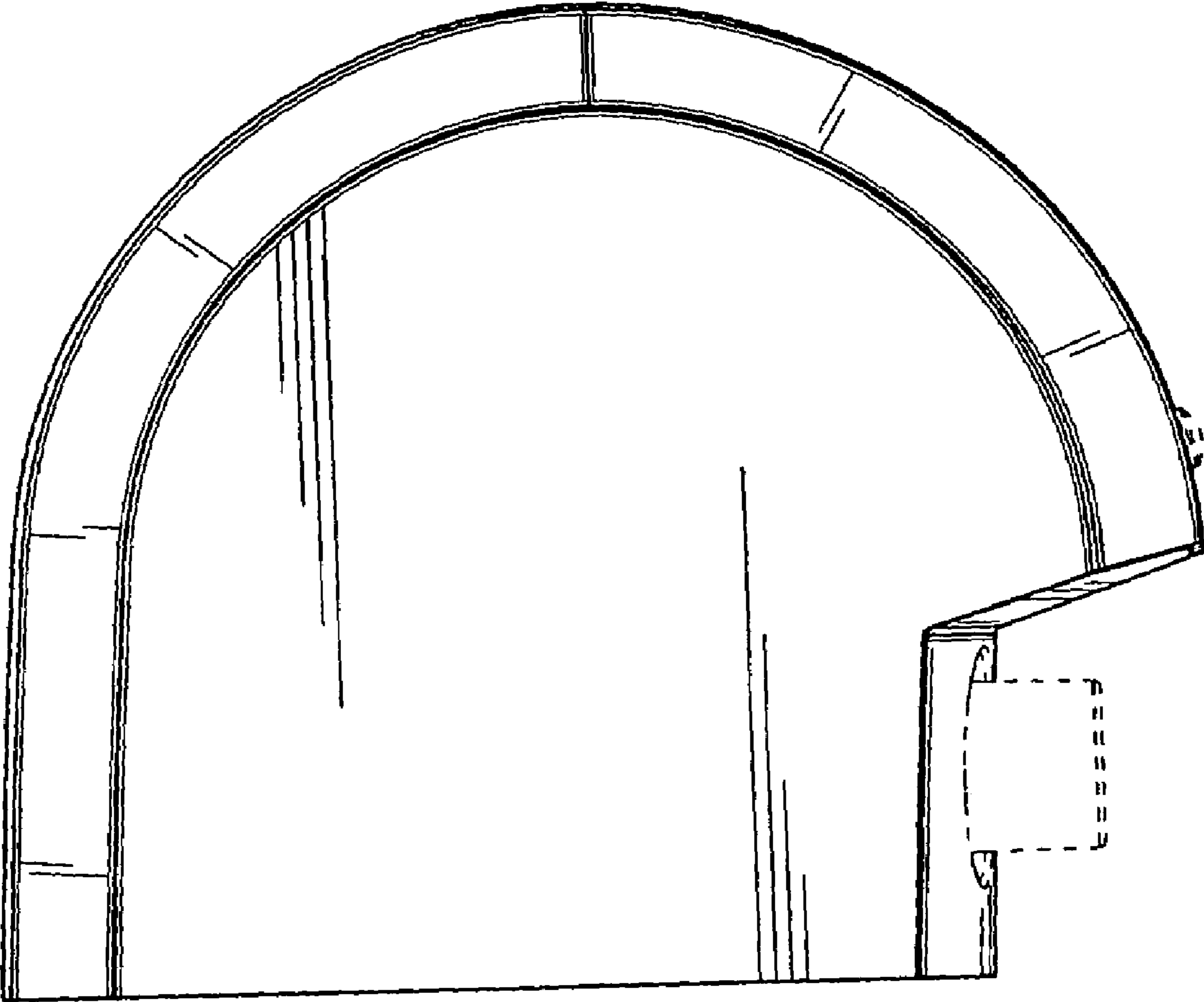


Fig. 4

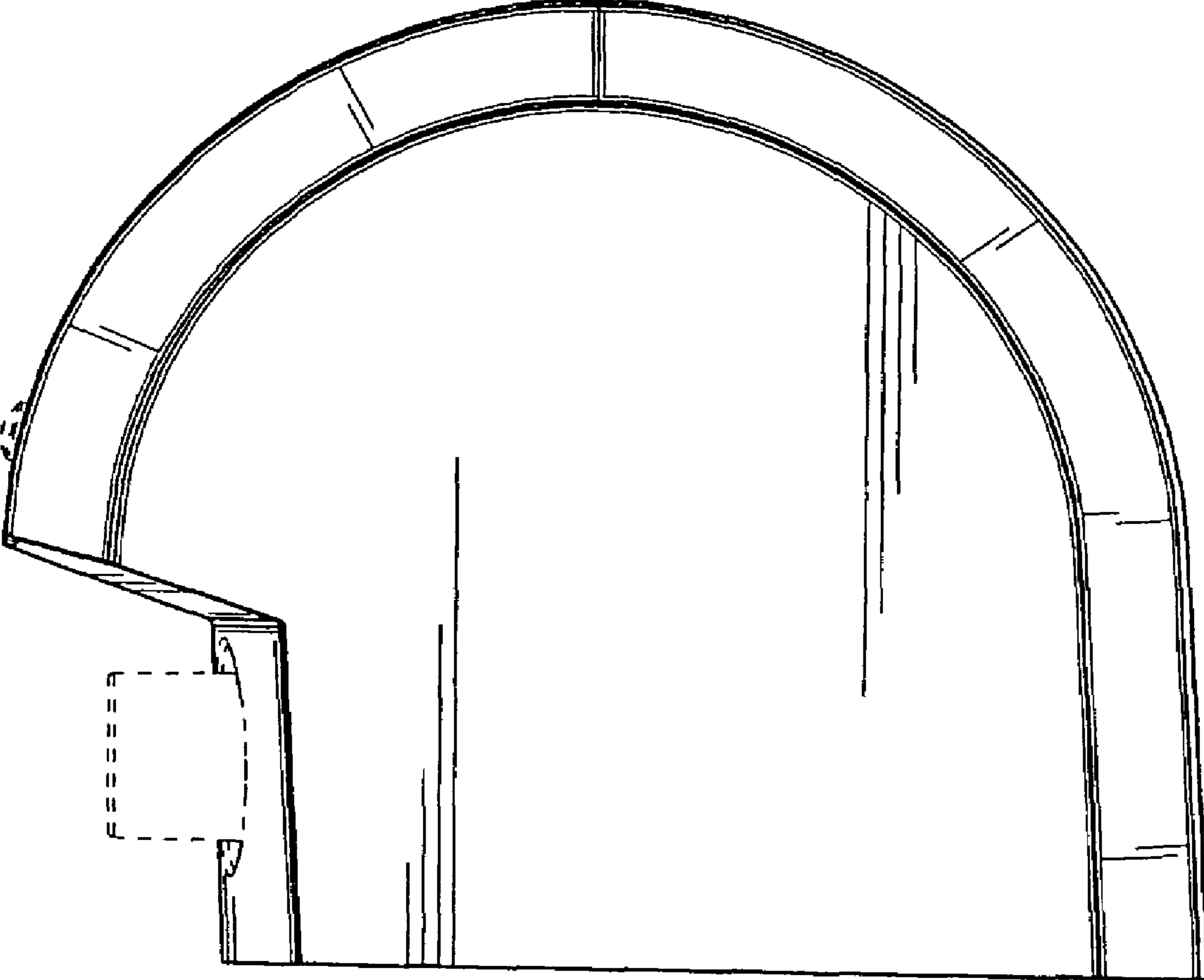


Fig. 5

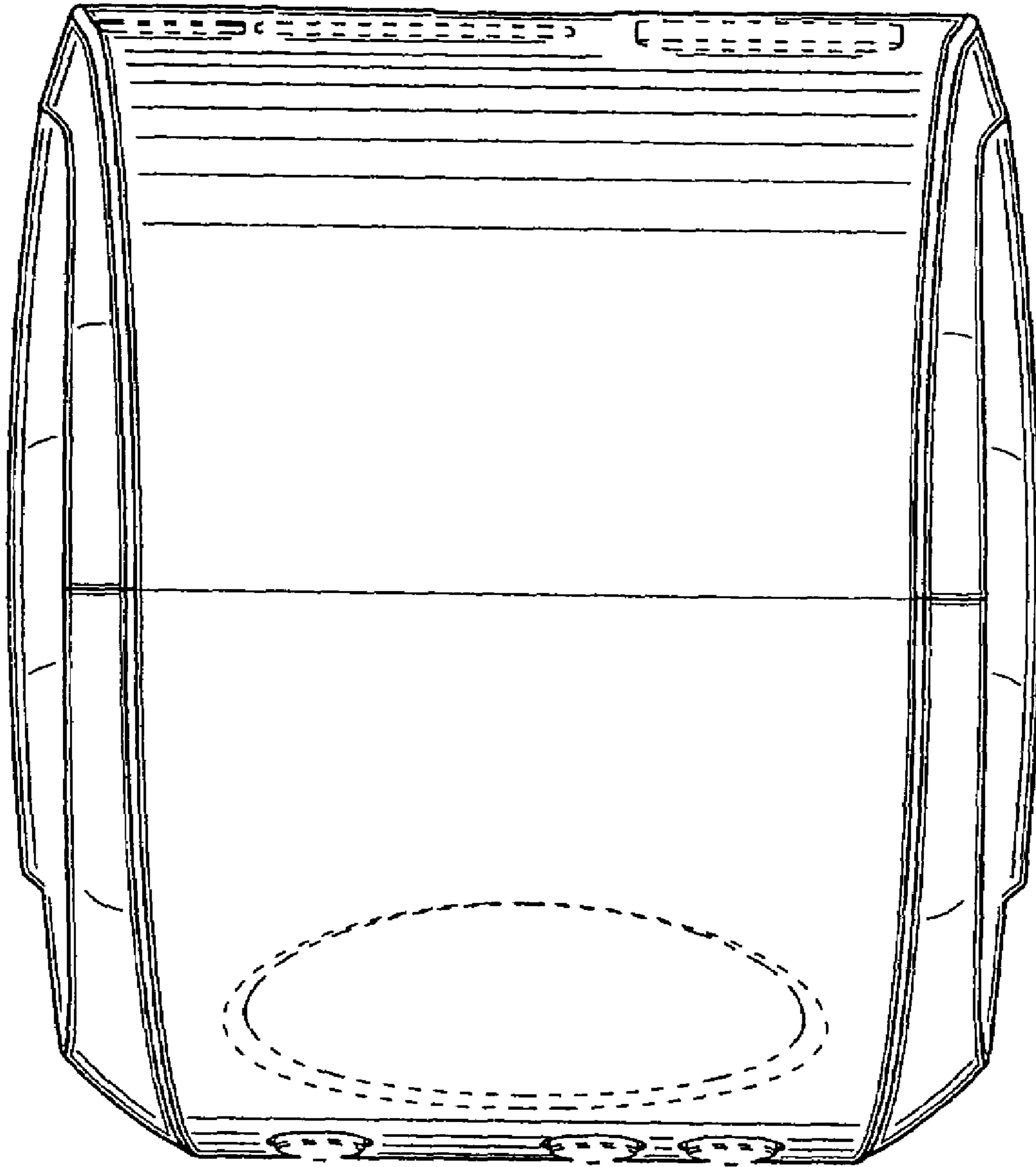


Fig. 6

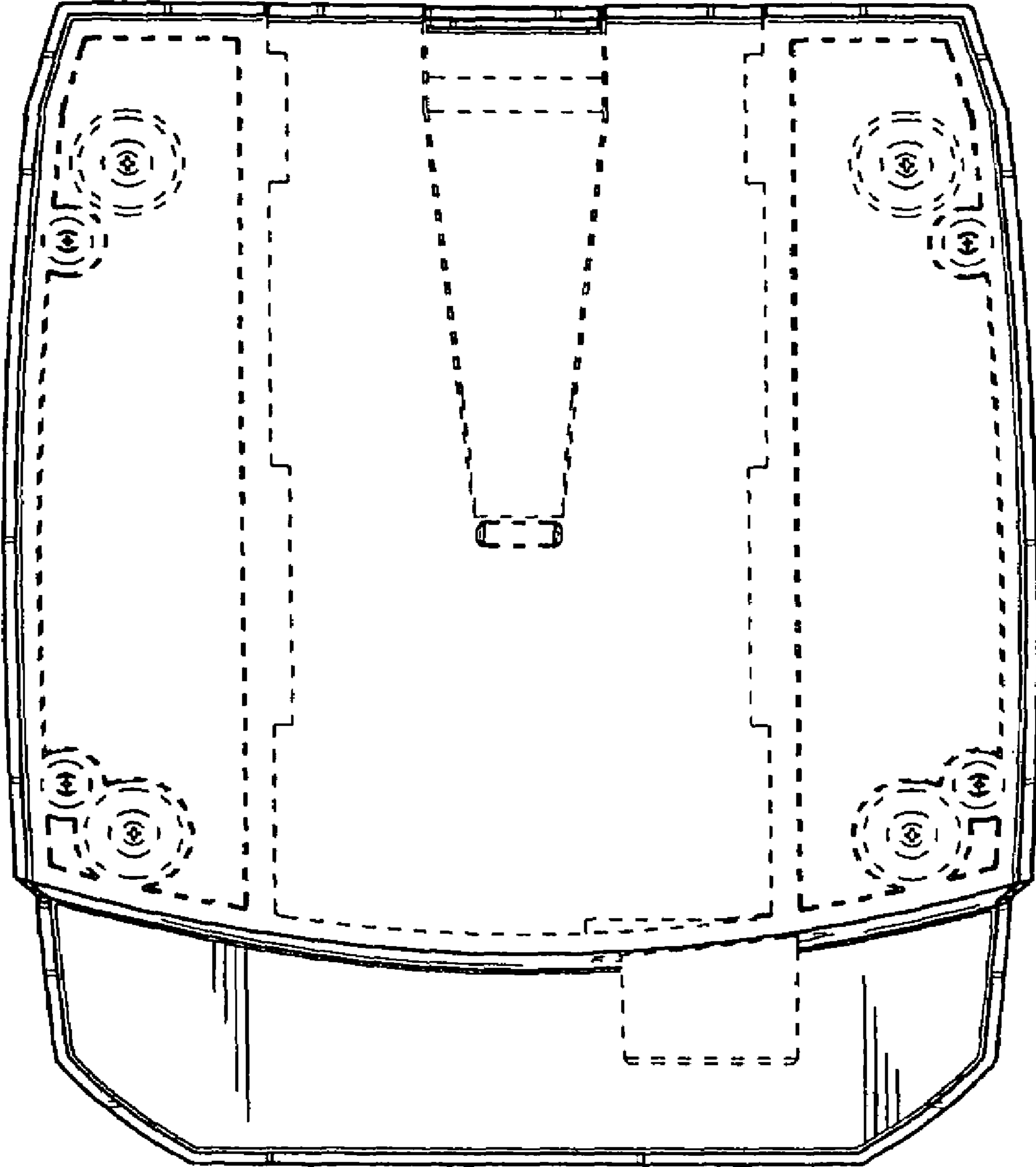


Fig. 7