



US00D555231S

(12) **United States Design Patent**  
**Boshart et al.**

(10) **Patent No.:** **US D555,231 S**

(45) **Date of Patent:** **\*\* Nov. 13, 2007**

(54) **LOCKING WELL CAP**

7,159,664 B1 \* 1/2007 Ross ..... 166/379

(75) Inventors: **Melvin L. Boshart**, Milbank (CA);  
**Paul R. Erb**, Milbank (CA)

(73) Assignee: **Boshart Industries, Inc.**, Milverton  
(CA)

(\*\*) Term: **14 Years**

(21) Appl. No.: **29/261,272**

(22) Filed: **Jun. 9, 2006**

(51) **LOC (8) Cl.** ..... **23-01**

(52) **U.S. Cl.** ..... **D23/261**

(58) **Field of Classification Search** ..... D23/260–269,  
D23/303, 311; D9/438; D10/46, 96; 4/283–284,  
4/286–287, 295, 688–689; 137/363; 138/89,  
138/96 R; 166/75.1, 92–94, 97; 220/210,  
220/249, 253, 257, 315, 334, 337, 343, 349,  
220/304

See application file for complete search history.

(56) **References Cited**

**U.S. PATENT DOCUMENTS**

1,483,953	A *	2/1924	Rainey	.....	220/326
1,923,338	A *	8/1933	Stant	.....	220/301
3,035,732	A *	5/1962	Baker	.....	220/3.8
D210,826	S *	4/1968	Kalser et al.	.....	D23/260
3,473,573	A *	10/1969	Baker et al.	.....	138/89
4,848,458	A *	7/1989	Holdsworth et al.	.....	166/92.1
D317,270	S *	6/1991	Hensley	.....	D10/96
5,437,309	A *	8/1995	Timmons	.....	138/89
D405,506	S *	2/1999	Lord	.....	D23/249
D412,970	S *	8/1999	Whyte	.....	D23/260
D413,164	S *	8/1999	Lord	.....	D23/238
D490,708	S *	6/2004	Lown	.....	D9/438
D512,157	S *	11/2005	Wu et al.	.....	D24/227

**OTHER PUBLICATIONS**

www.campbellmfg.com/specials/locking\_wellcap.htm, Campbell Quality Water System Products “Locking Watertight Well Cap LWC6”; web site printout (Jan. 4, 2004), 1 pg. Advertisement, Royer Quality Castings, Inc. “Locking Watertight Conduit Well Caps”, 2 pgs.

\* cited by examiner

*Primary Examiner*—Louis S Zarfaz

*Assistant Examiner*—Eric L Goodman

(74) *Attorney, Agent, or Firm*—Volpe and Koenig, P.C.

(57) **CLAIM**

The ornamental design for a locking well cap, as shown and described.

**DESCRIPTION**

FIG. 1 is a perspective view of a locking well cap of the present design;

FIG. 2 is a top plan view of the locking well cap;

FIG. 3 is a side elevation view of the locking well cap;

FIG. 4 is a side elevation view of the locking well cap from the other side;

FIG. 5 is a front elevation view of the locking well cap;

FIG. 6 is a rear elevation view of the locking well cap;

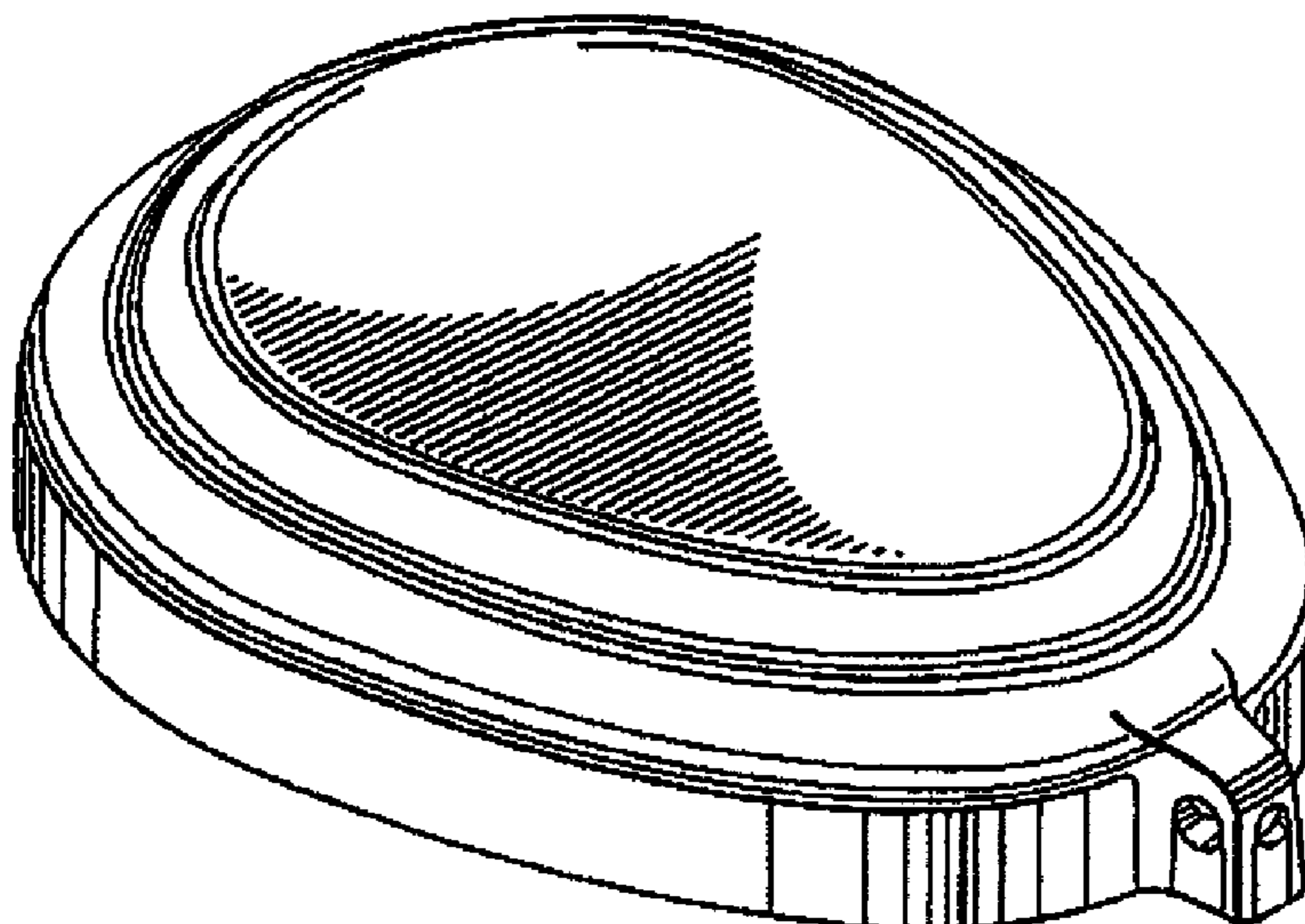
FIG. 7 is a bottom plan view of the locking well cap;

FIG. 8 is a perspective view of the locking well cap attached to a well; and,

FIG. 9 is an exploded view of the locking well cap.

The broken line showing in FIG. 8 is included for the purpose of illustrating environmental structure and forms no part of the claimed design.

**1 Claim, 3 Drawing Sheets**



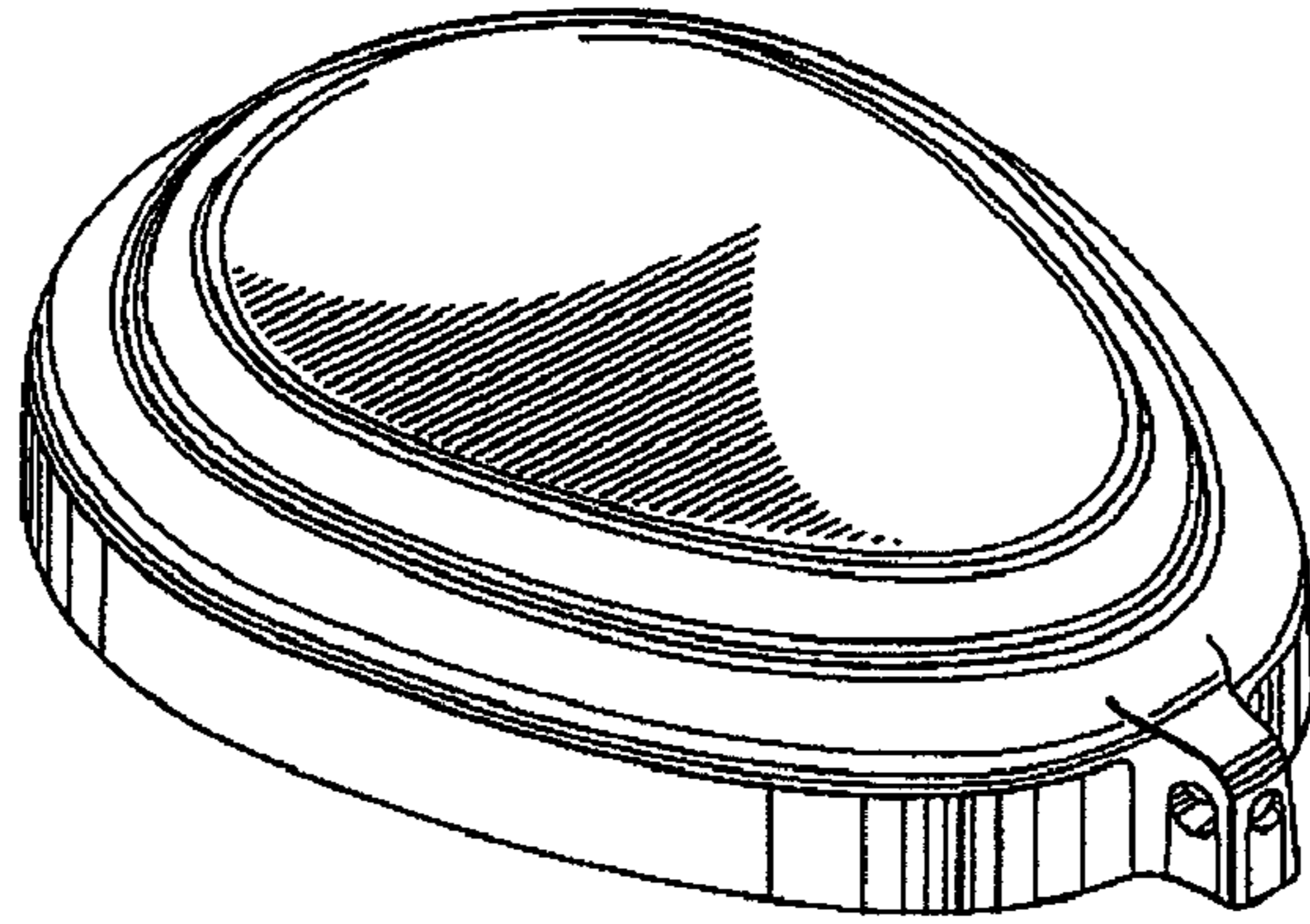


FIG. 1

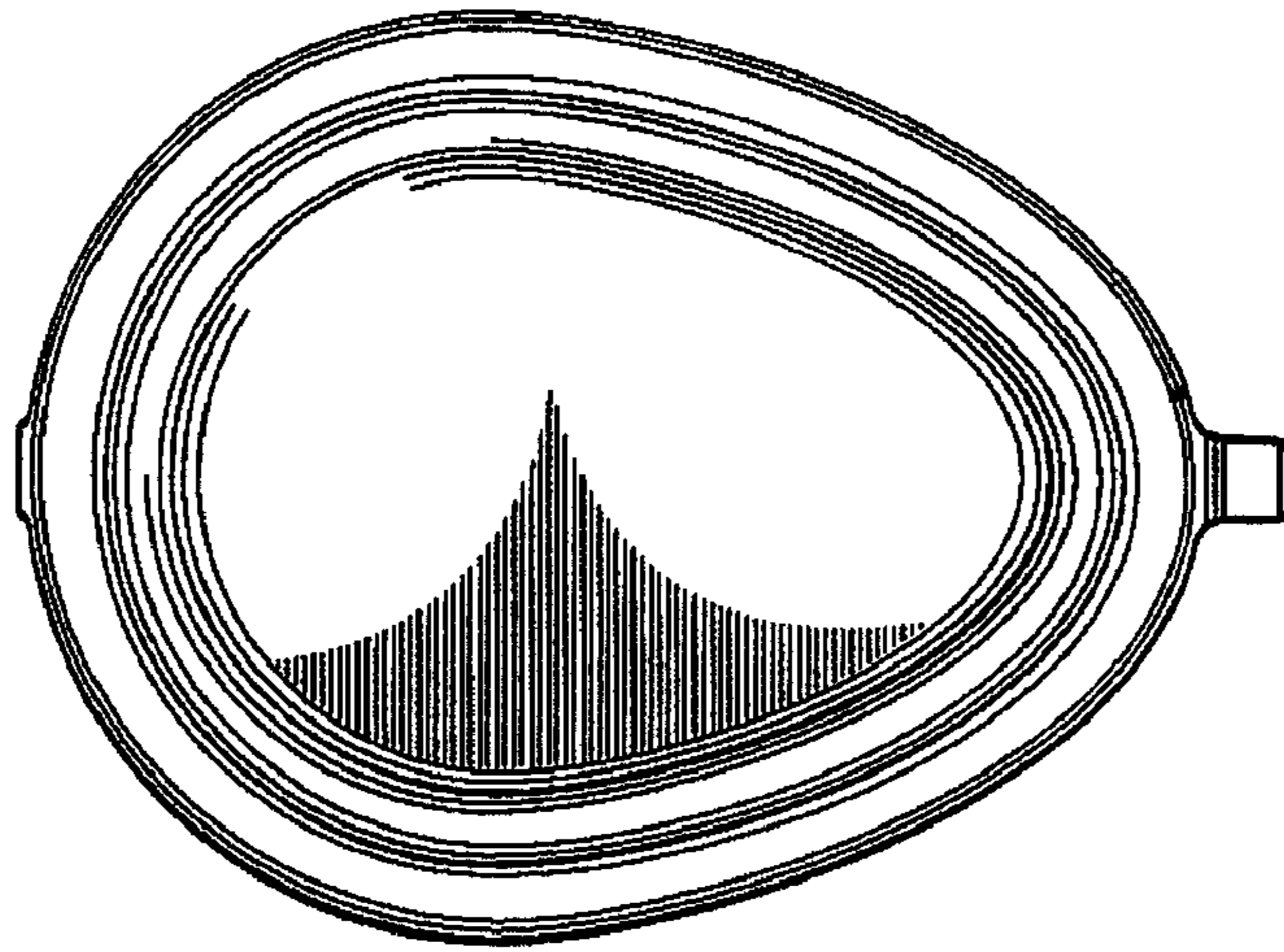


FIG. 2

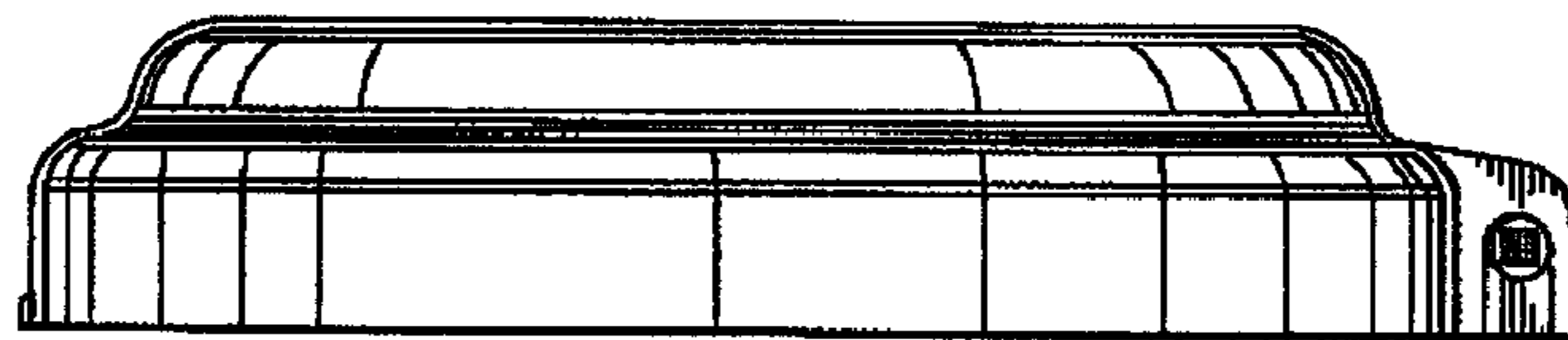


FIG. 3

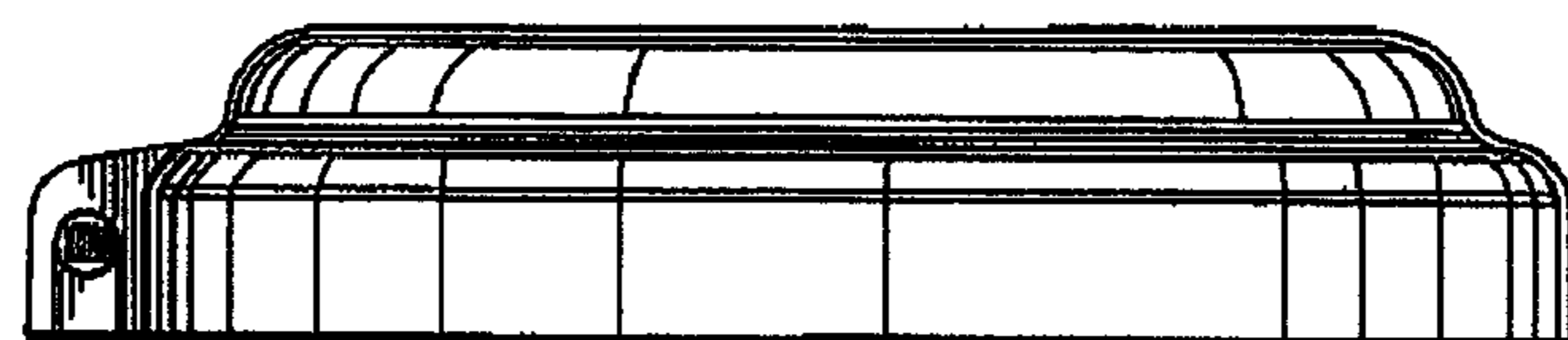
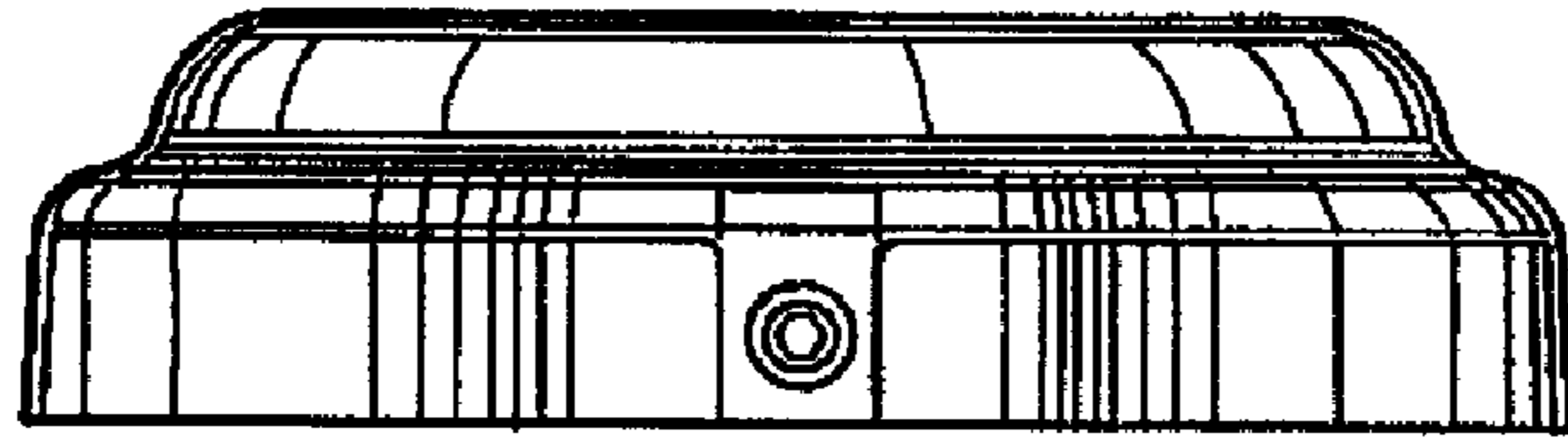
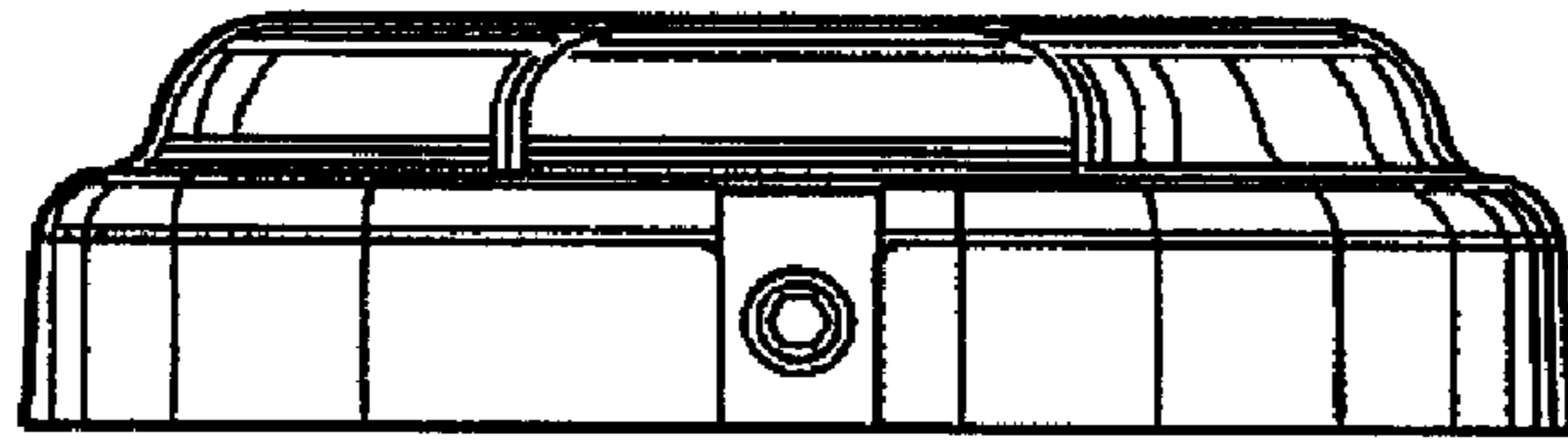


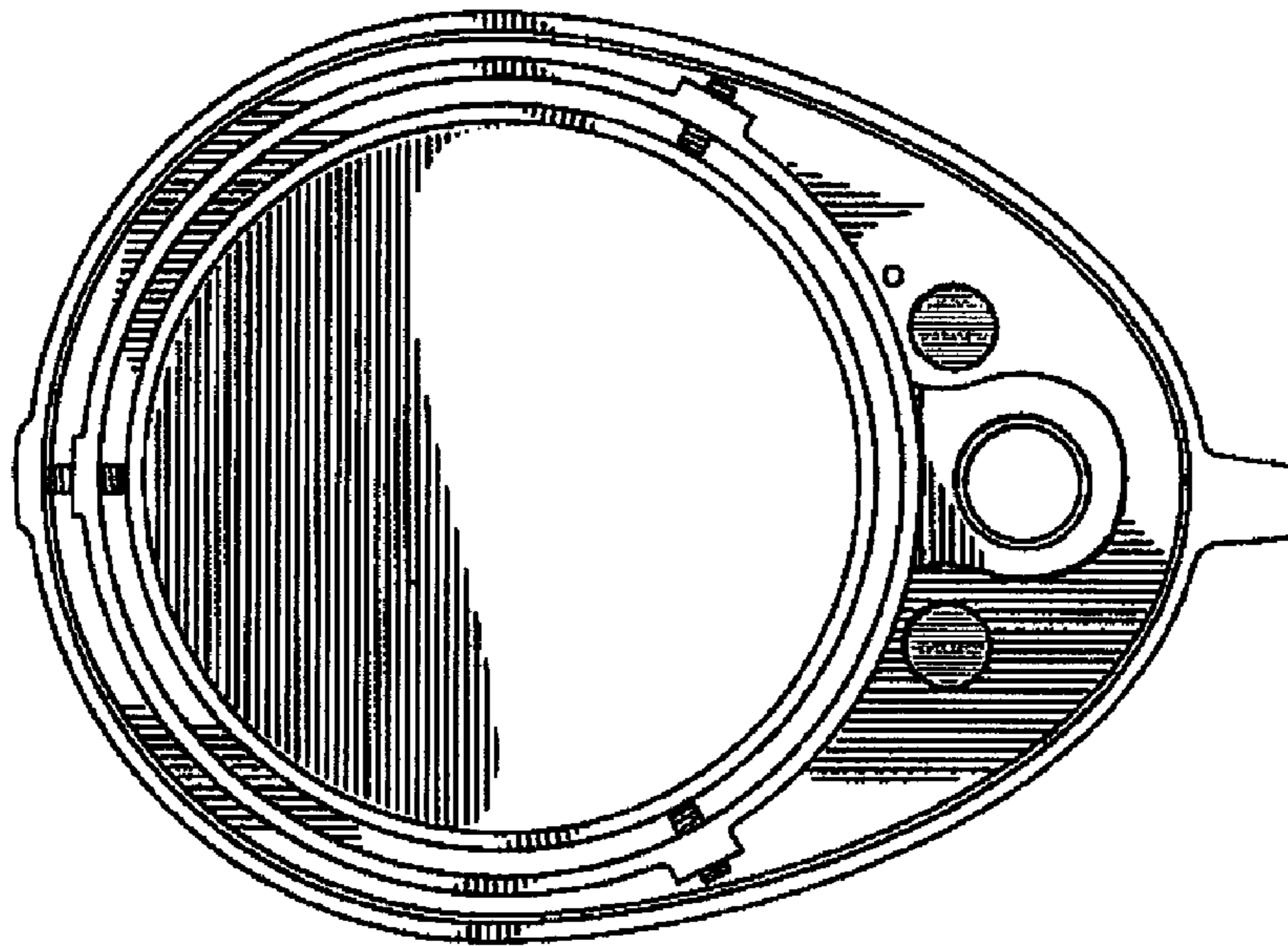
FIG. 4



**FIG. 5**

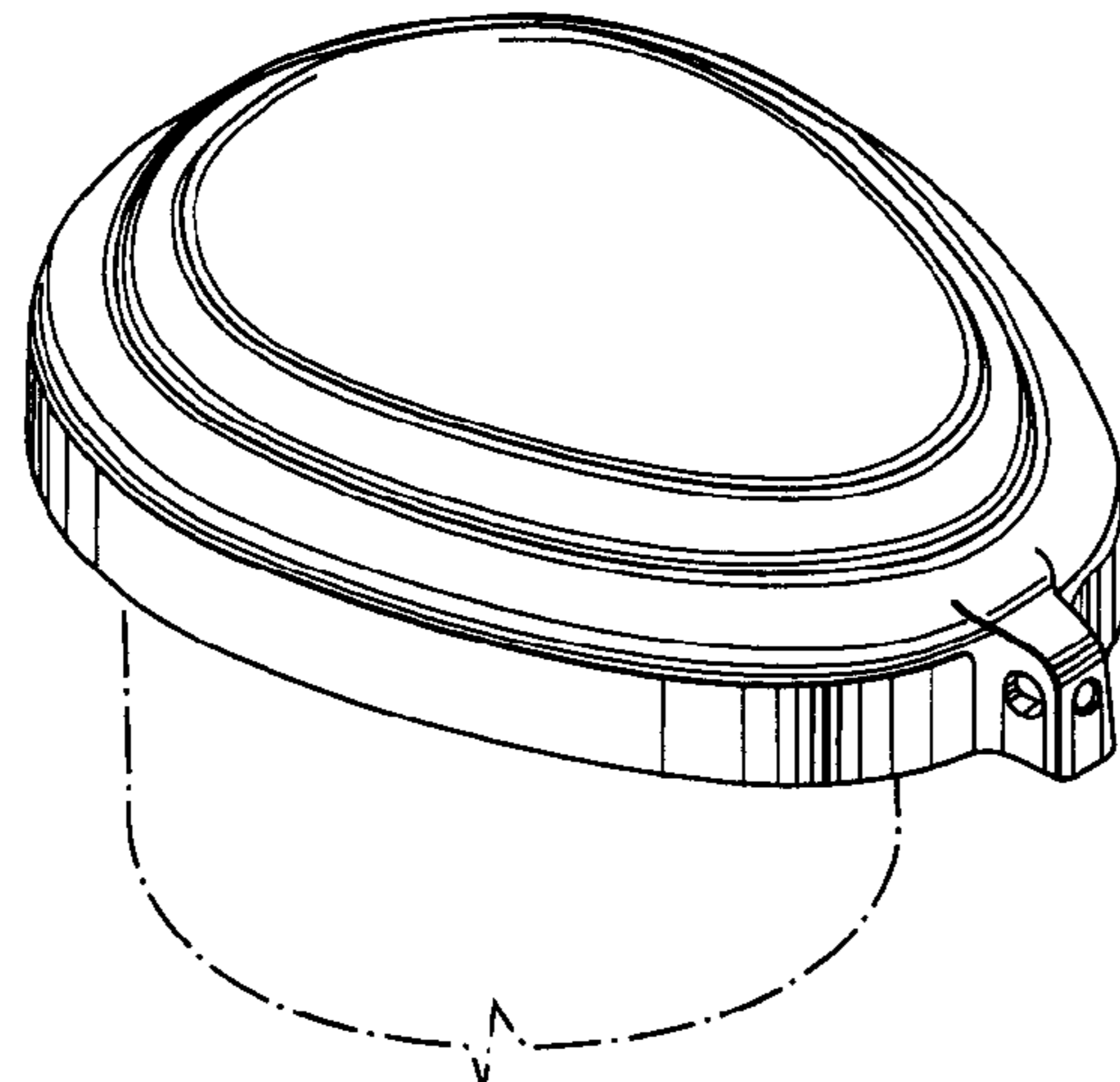


**FIG. 6**

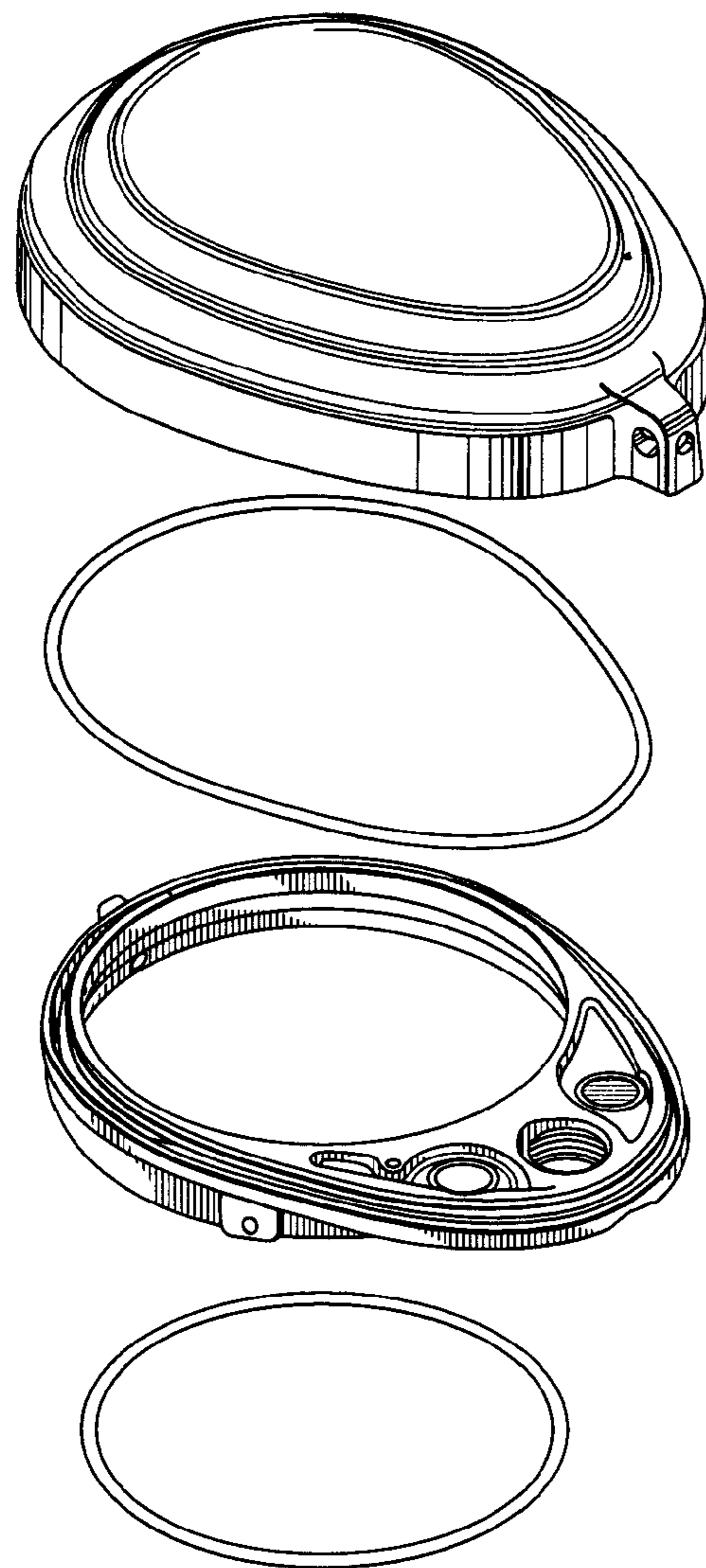


**FIG. 7**





**FIG. 8**



**FIG. 9**